



US00D812066S

(12) **United States Design Patent** (10) **Patent No.:** **US D812,066 S**
Lazzi et al. (45) **Date of Patent:** **** Mar. 6, 2018**

- (54) **WORKSTATION**
- (71) Applicant: **Humanscale Corporation**, New York, NY (US)
- (72) Inventors: **Vincenzo Lazzi**, South Orange, NJ (US); **Ross Velazquez**, Brooklyn, NY (US)
- (73) Assignee: **Humanscale Corporation**, New York, NY (US)
- (**) Term: **15 Years**
- (21) Appl. No.: **29/591,459**
- (22) Filed: **Jan. 20, 2017**

D521,996 S 5/2006 Kim
 D537,323 S 2/2007 Saez
 D542,297 S 5/2007 Hung
 7,252,277 B2 8/2007 Sweere
 (Continued)

FOREIGN PATENT DOCUMENTS

EP 0481159 2/1991
 WO D008784-001 8/1987

OTHER PUBLICATIONS

M2 Monitor Arm Brochure, Humanscale, known at least as early as Dec. 21, 2016, 5 pgs.

(Continued)

Primary Examiner — Angela J Lee

(74) *Attorney, Agent, or Firm* — Womble Bond Dickinson (US) LLP

Related U.S. Application Data

(63) Continuation of application No. 29/567,408, filed on Jun. 8, 2016.

(51) **LOC (11) Cl.** **08-07**

(52) **U.S. Cl.**
USPC **D14/447**

(58) **Field of Classification Search**
 USPC D14/447, 432, 434, 439, 440, 451, 452, D14/457, 239; D8/363, 373, 380; D6/406.3, 406.4, 406.5, 406.6; D12/415
 CPC A47B 21/04; A47B 2097/006; A47B 2097/005; A47B 2023/049; A45C 2011/002; A45C 2011/003; F16M 2200/00; F16M 13/00

See application file for complete search history.

(57) **CLAIM**

We claim the ornamental design for a workstation, as shown and described.

DESCRIPTION

FIG. 1 is a top front right perspective view of our new design;

FIG. 2 is a front view thereof;

FIG. 3 is a rear view thereof;

FIG. 4 is a left side view thereof;

FIG. 5 is a right side view thereof;

FIG. 6 is a top view thereof; and,

FIG. 7 is a rear perspective view thereof.

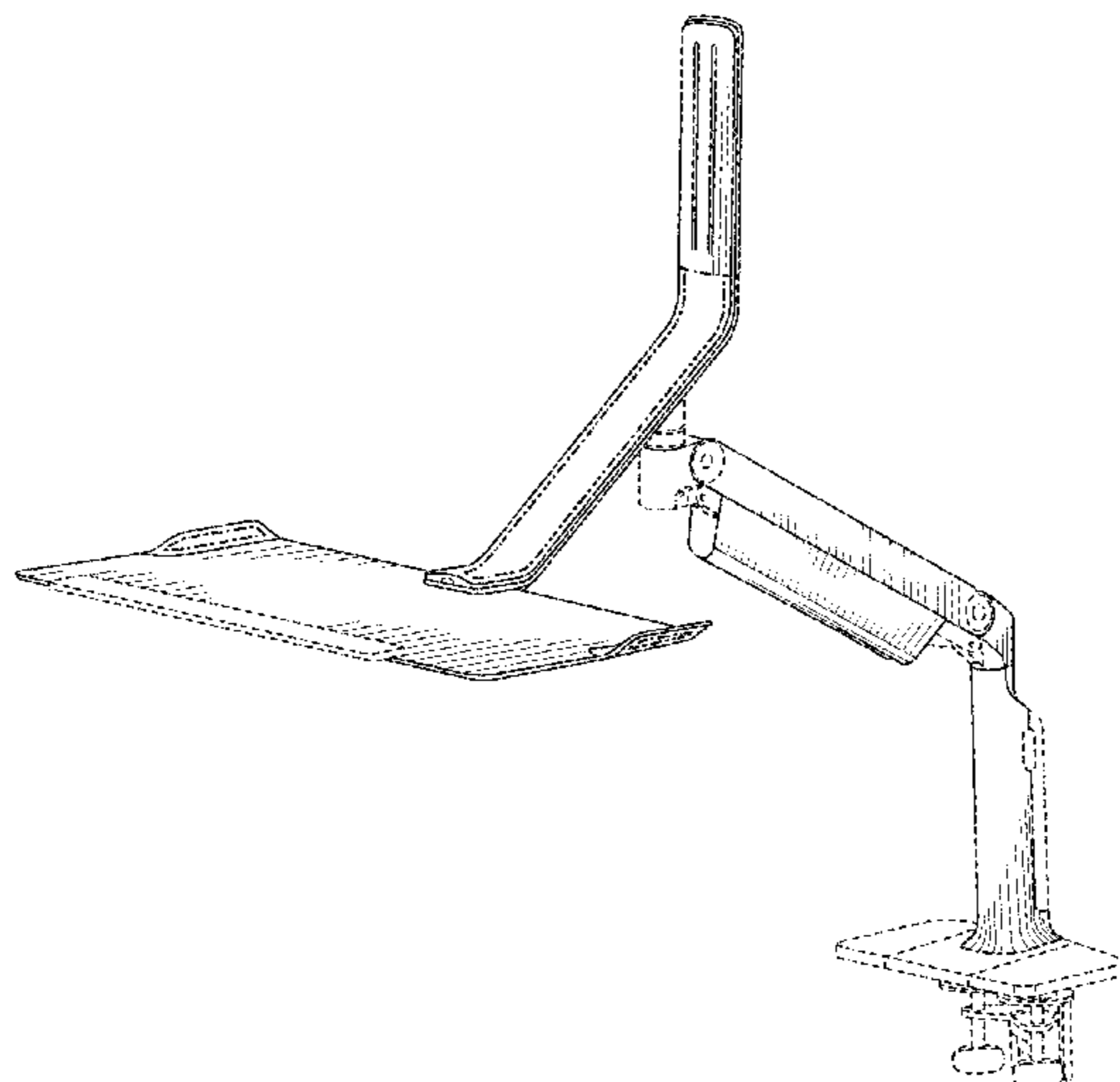
The views of the workstation not shown form no part of the claimed design. The dash-dash lines in the figures show features that form no part of the claimed design. The dash-dot lines represent unclaimed boundaries of the claimed design such that the surfaces between solid lines are not claimed.

(56) **References Cited**

U.S. PATENT DOCUMENTS

5,799,917 A 9/1998 Li
 D429,251 S * 8/2000 Sundy D14/457
 D435,107 S 12/2000 Blair
 D486,486 S 2/2004 Jobs
 D509,826 S 9/2005 Jobs
 D512,698 S 12/2005 Augenbraun et al.

1 Claim, 7 Drawing Sheets



(56)

References Cited

U.S. PATENT DOCUMENTS

7,338,022 B2 3/2008 Hung
 D584,734 S 1/2009 Chu
 D608,771 S * 1/2010 Hsu D14/239
 7,677,518 B2 3/2010 Chouinard et al.
 7,694,927 B2 4/2010 Chuang
 D624,083 S 9/2010 Scheper et al.
 D624,084 S 9/2010 Scheper et al.
 D627,474 S * 11/2010 Nordgren D14/452
 D631,052 S 1/2011 Hung
 D643,042 S * 8/2011 Saelid D14/452
 D654,503 S 2/2012 Sapper
 D655,532 S * 3/2012 Saelid D14/452
 D668,257 S * 10/2012 Tsai D14/452
 D685,806 S 7/2013 Kim et al.
 D690,306 S 9/2013 Malisse
 8,720,838 B2 5/2014 Bowman
 D709,896 S * 7/2014 McKinstry D14/447
 8,839,723 B2 9/2014 Hazzard et al.
 D714,775 S * 10/2014 Yoo D14/253
 D715,938 S 10/2014 Li et al.
 D724,072 S * 3/2015 Jiang D14/253
 9,080,721 B2 7/2015 Hazzard et al.
 D735,727 S * 8/2015 Dugger D14/447
 D740,830 S 10/2015 Chu
 D745,873 S 12/2015 Xiang et al.
 9,267,639 B2 2/2016 Sweere et al.
 D751,565 S * 3/2016 Gross D14/451
 D758,375 S 6/2016 Won et al.
 9,400,083 B2 7/2016 Sapper et al.
 D769,881 S 10/2016 Lazzi et al.
 D787,522 S 5/2017 Lee
 2005/0284991 A1 12/2005 Saez

2008/0315048 A1 12/2008 Sakata
 2011/0147546 A1 6/2011 Monsalve et al.
 2011/0260017 A1 10/2011 Monsalve et al.
 2011/0315843 A1 12/2011 Hung
 2012/0119040 A1 5/2012 Ergun et al.
 2012/0187056 A1 7/2012 Hazzard
 2013/0126682 A1 5/2013 Tholkes et al.
 2014/0137773 A1 5/2014 Mandel et al.

OTHER PUBLICATIONS

M8 Monitor Arm Brochure, Humanscale, known at least as early as Dec. 21, 2016, 4 pgs.
 Dell Monitor Stand User's Guide (USB 3.0 Dock MKS14), Aug. 2015, 23 pgs.
 Ergotron DS100 Quad-Monitor Desk Stand, <http://ergotron.com/ProductsDetails/tabid/85/PRDID/196/language/en-US/Default.aspx>, known at least as early as Jun. 7, 2016, 2 pgs.
 Humanscale's Quickstand Workstation, <http://www.humanscale.com/products/product.cfm?group=quickstand>, known at least as early as Jun. 7, 2016, 3 pgs.
 YouTube. <URL: <https://www.youtube.com/watch?v=kY3zIRz-Zky>> Aug. 1, 2016. Human Scale Quick Stand, 2 pgs.
 Office Depot & OfficeMax. <URL: <http://www.officedepot.com/catalogisearch.do?Ntt=302938'/OEPABPABDWorkFir/oEPABPABDS%EP/oBR/013DDisplay°/0ER/0 BF%BDStand.>>> Feb. 2, 2016. Ergotron WorkFit S Display Stand, 2 pgs.
 Amazon. <URL: [https://www.amazon.com/dp/BOOBRBX3DM/ref=asc_df_BOOBRBX3DM5102834/?tag=hyprod*/0C2cY0AD20&creative=394997&creativeASIN=BOOBRBX3DM&linkCode=°/0E2'\)/080%A6.>](https://www.amazon.com/dp/BOOBRBX3DM/ref=asc_df_BOOBRBX3DM5102834/?tag=hyprod*/0C2cY0AD20&creative=394997&creativeASIN=BOOBRBX3DM&linkCode=°/0E2')/080%A6.>)> Mar. 29, 2013. Ergotron Mounting Arm, 9 pgs.

* cited by examiner

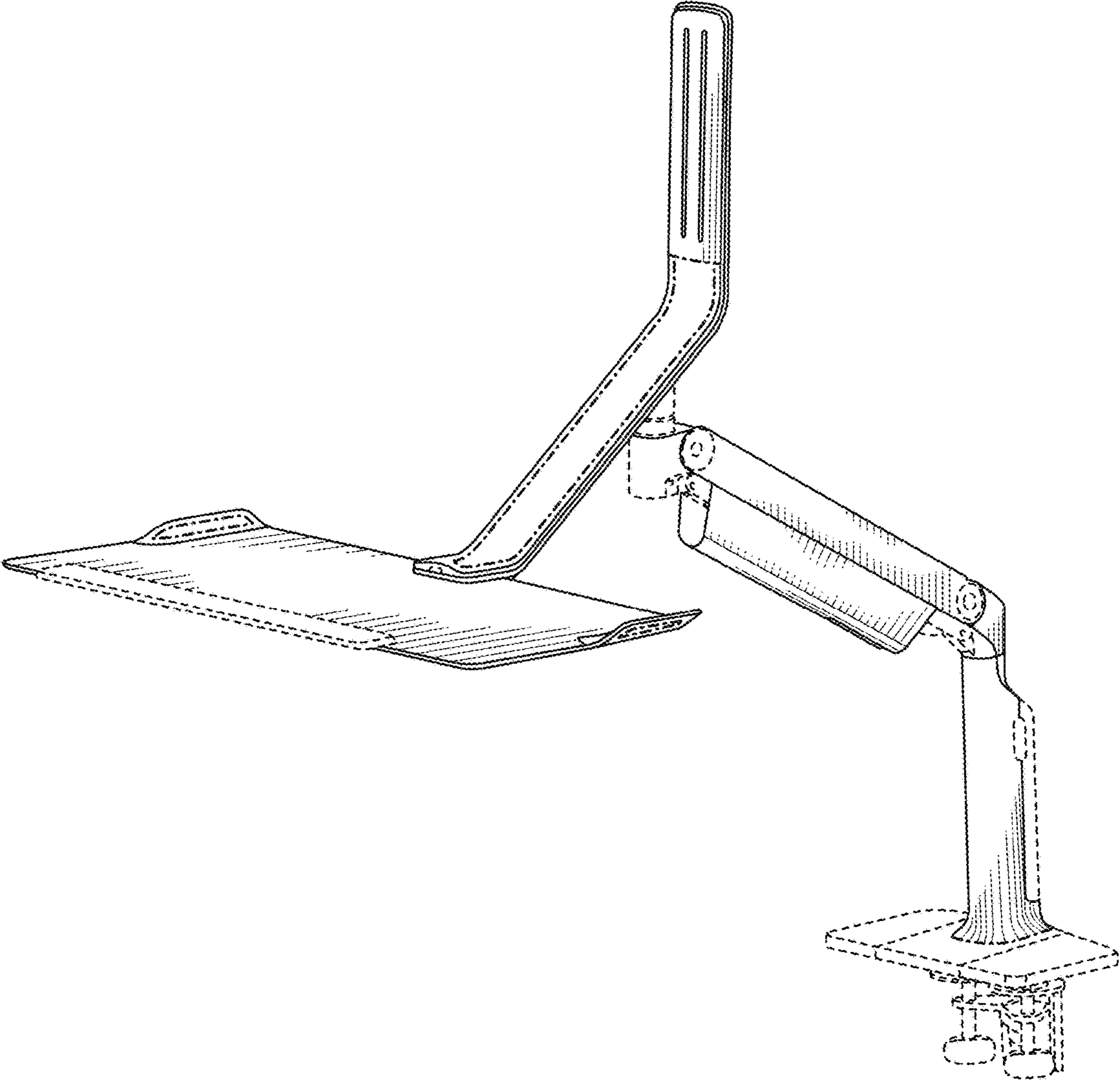


FIG. 1

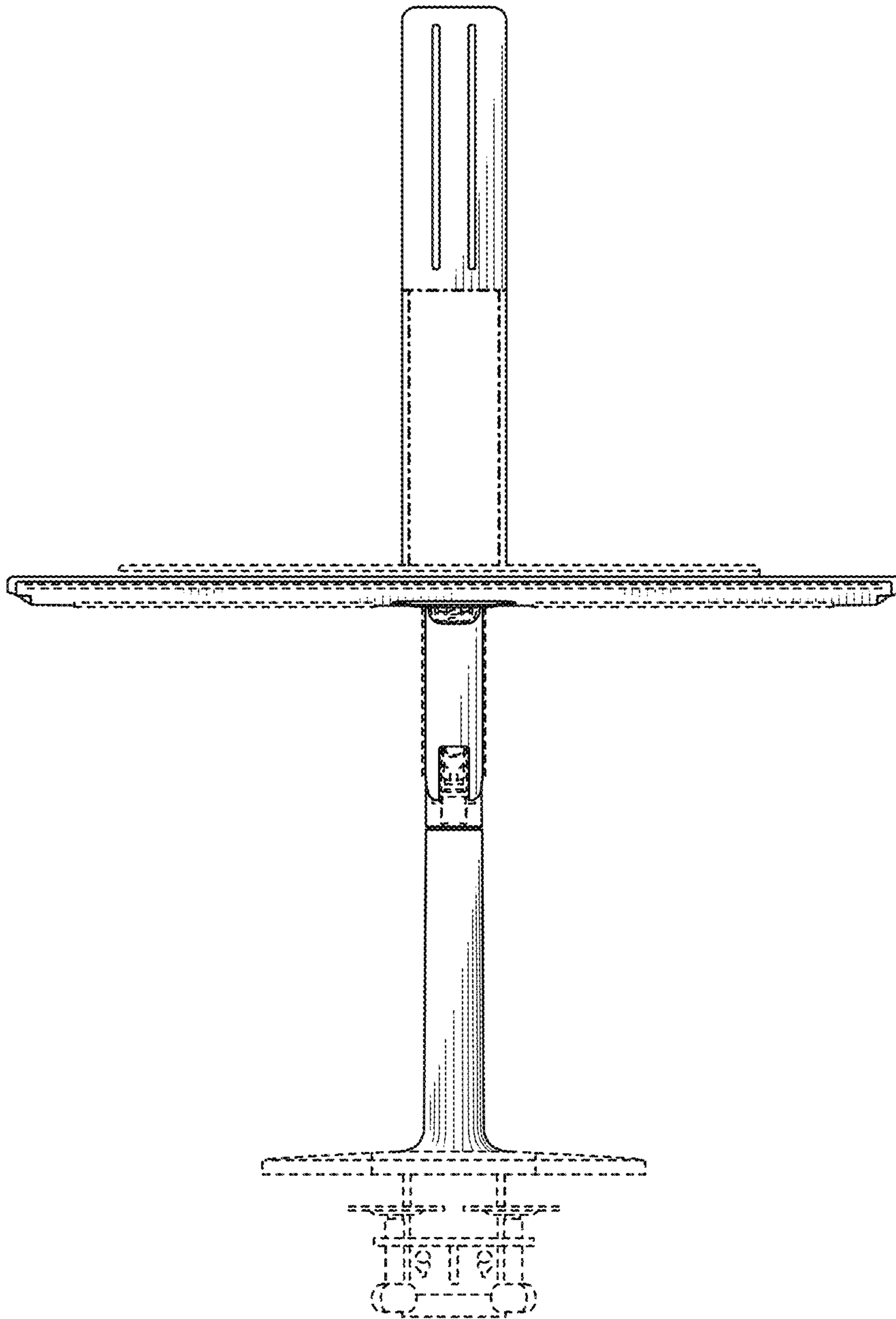


FIG. 2

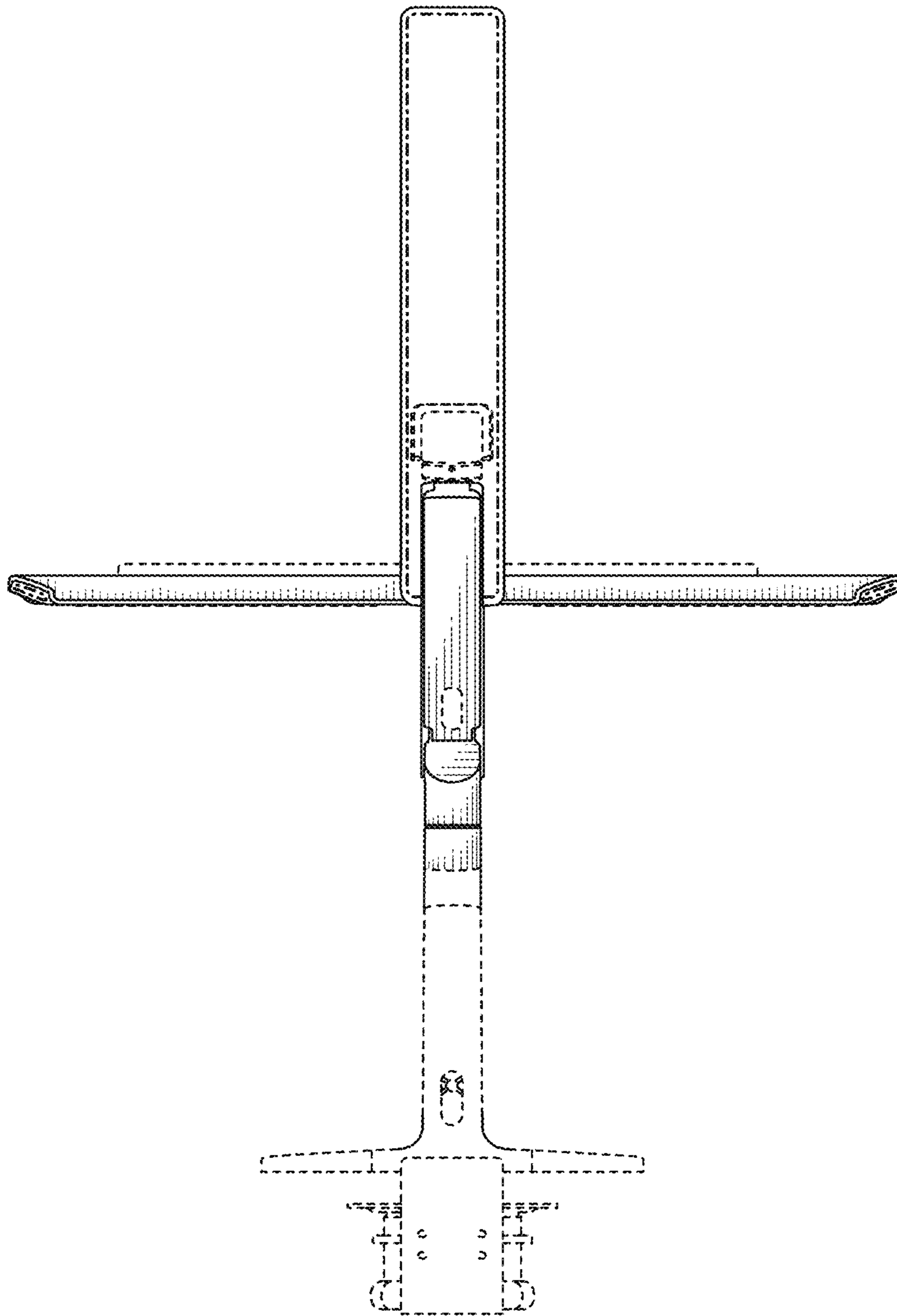


FIG. 3

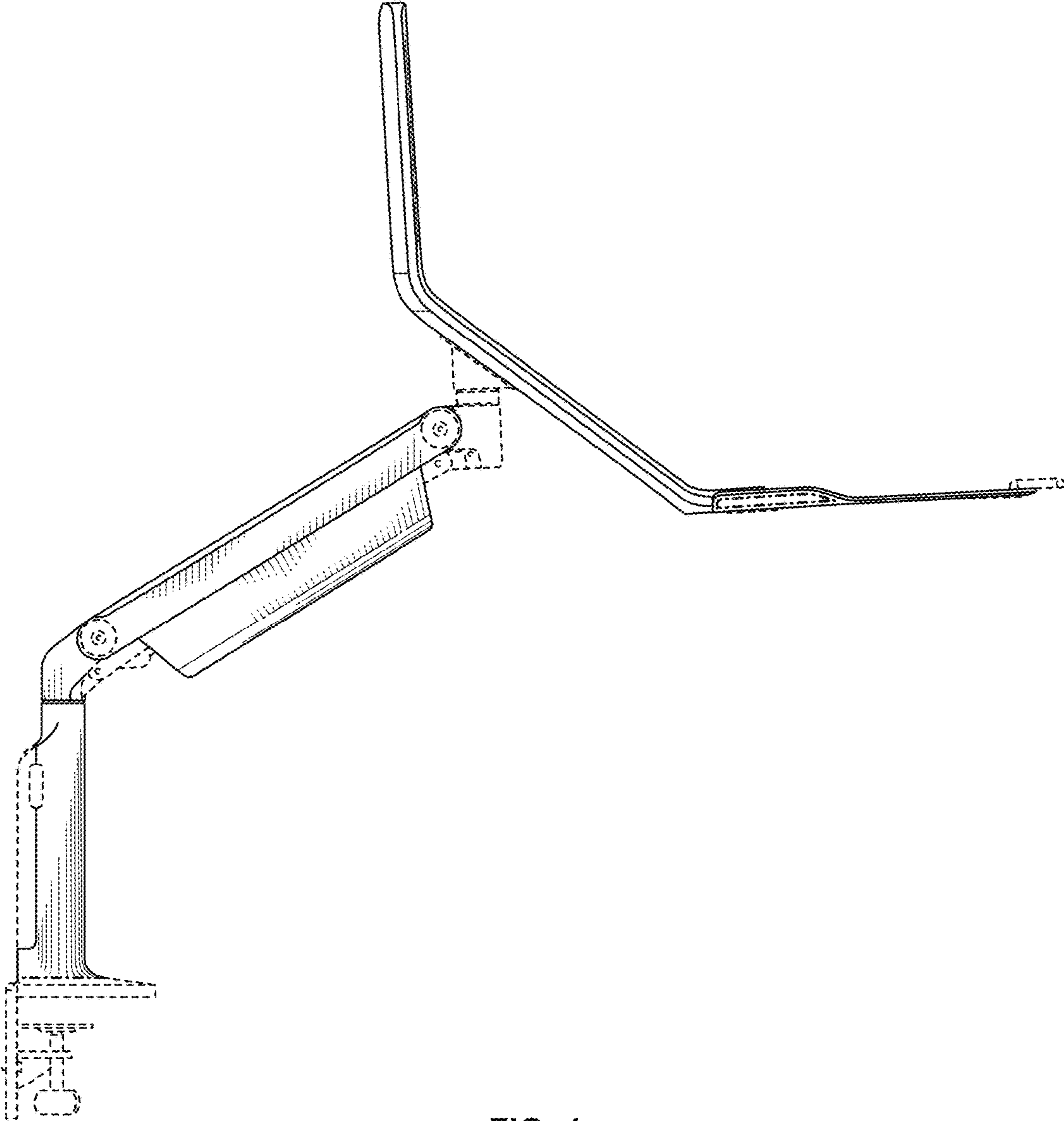


FIG. 4

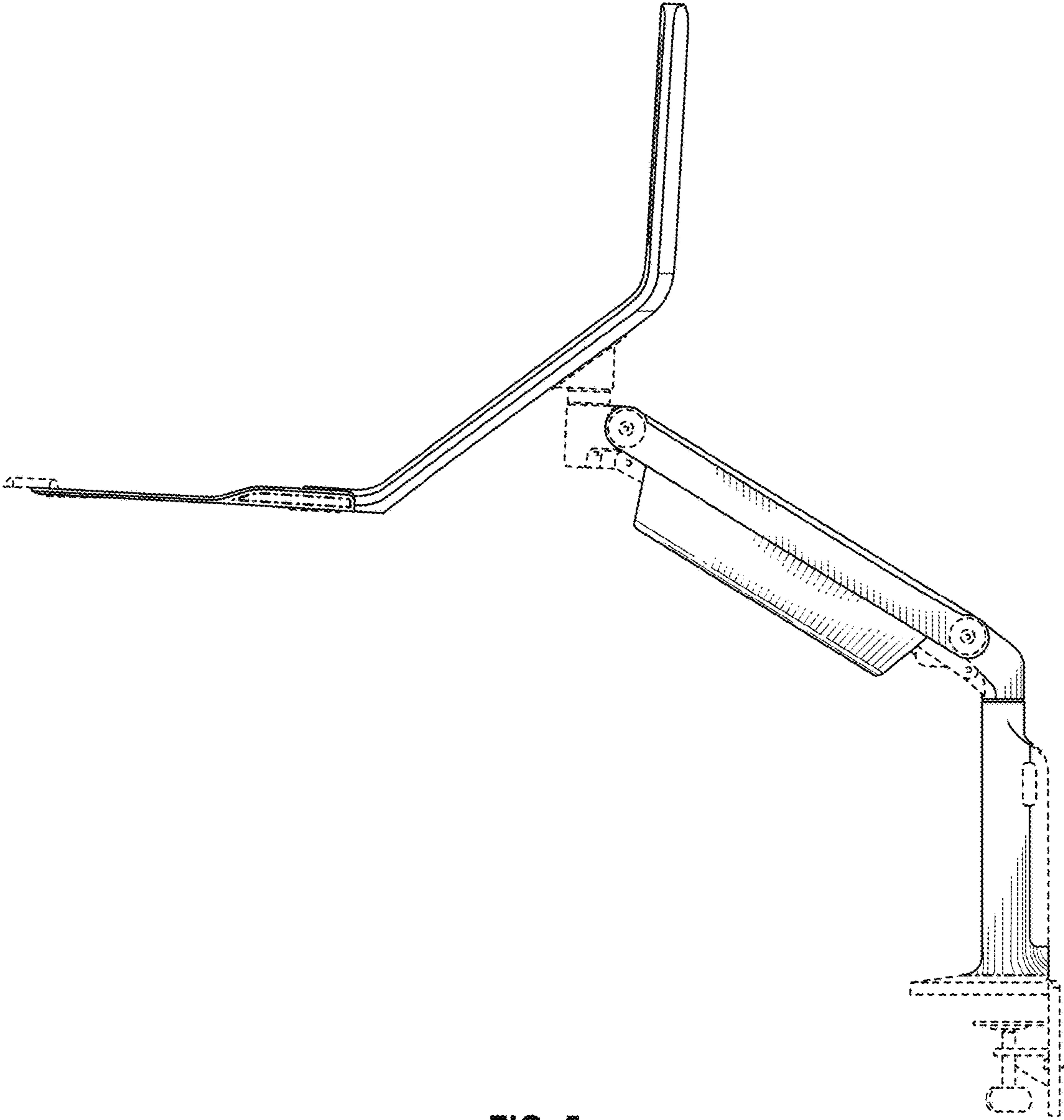


FIG. 5

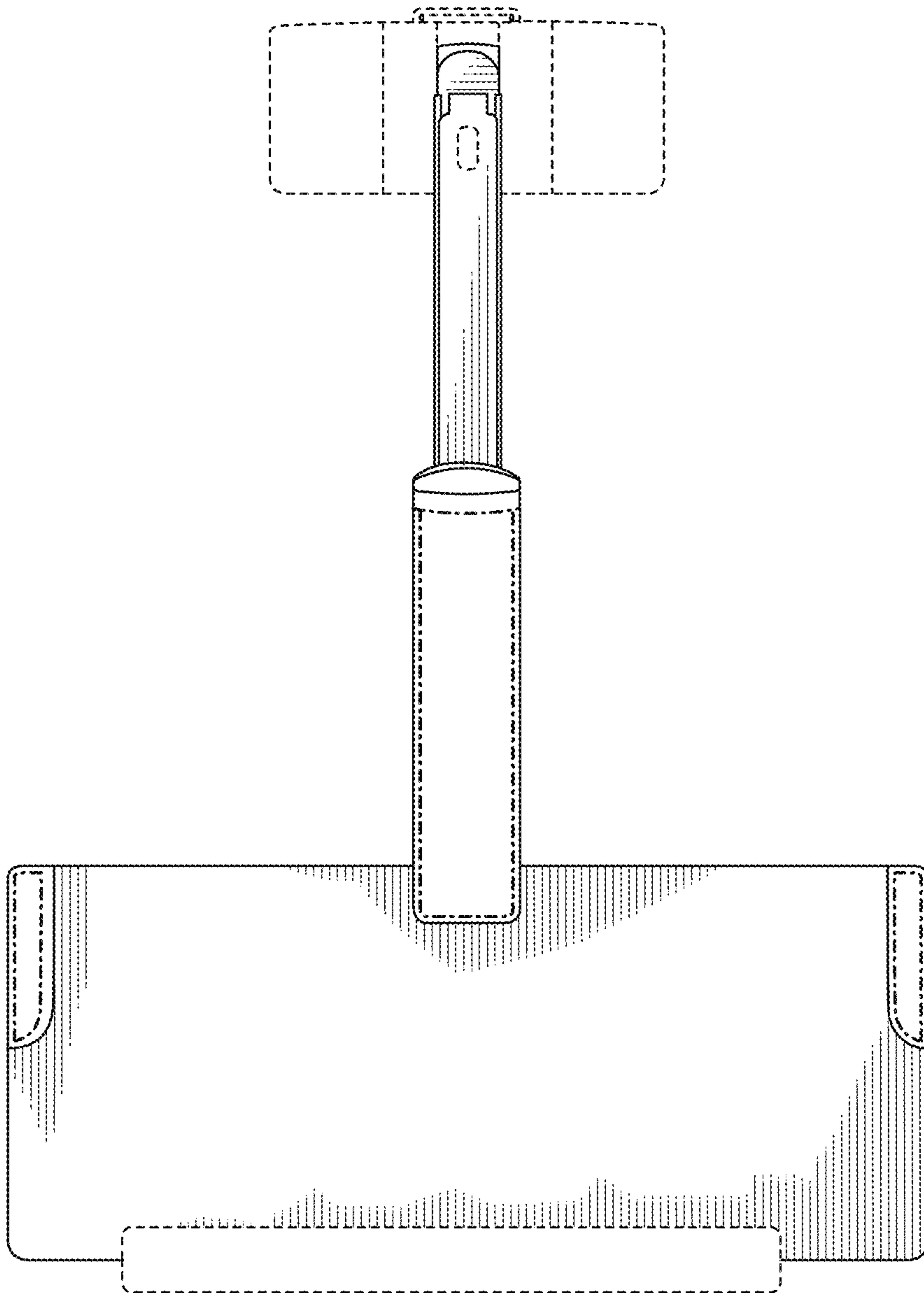


FIG. 6

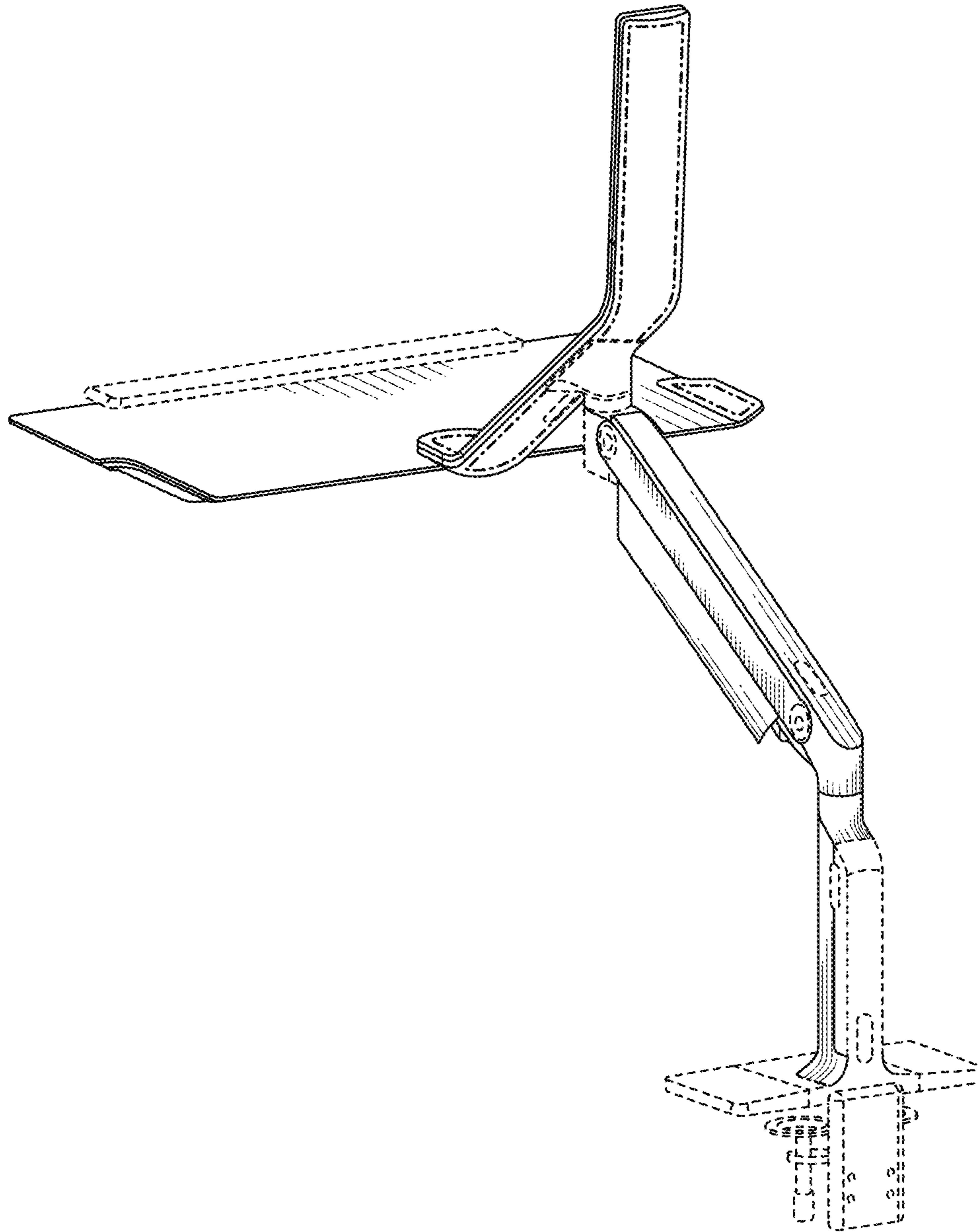


FIG. 7