



US00D812063S

(12) **United States Design Patent**
Lane et al.

(10) **Patent No.:** **US D812,063 S**
(45) **Date of Patent:** **** Mar. 6, 2018**

- (54) **OVERLAY**
- (71) Applicant: **Belkin International, Inc.**, Playa Vista, CA (US)
- (72) Inventors: **Steven Lane**, Orange, CA (US); **John F. Wadsworth**, Burbank, CA (US)
- (73) Assignee: **BELKIN INTERNATIONAL, INC.**, Playa Vista, CA (US)
- (**) Term: **15 Years**
- (21) Appl. No.: **29/597,790**
- (22) Filed: **Mar. 20, 2017**

D578,164 S	10/2008	Ingle	
D598,024 S	8/2009	Scott et al.	
D601,959 S	10/2009	Lee	
D601,960 S	10/2009	Dai	
7,697,827 B2	4/2010	Konicek	
D627,826 S	11/2010	Halimi	
7,957,524 B2	6/2011	Chipping	
7,966,861 B2	6/2011	Yee et al.	
D641,210 S	7/2011	Hamilton	
8,044,942 B1	10/2011	Leonhard et al.	
8,047,365 B1	11/2011	Lin	
D651,214 S	12/2011	Yoo et al.	
D651,791 S	1/2012	Cataldo et al.	
D658,164 S	4/2012	Chan	
D665,809 S	8/2012	Wang et al.	
8,369,072 B1 *	2/2013	Alonzo	G06F 1/1628 361/679.01
8,393,377 B2	3/2013	Patel et al.	
D679,753 S	4/2013	Sato et al.	
D680,166 S	4/2013	Sato et al.	
8,517,367 B1	8/2013	Napier	
D690,704 S	10/2013	Padilla et al.	
8,564,538 B2	10/2013	Wadsworth	
D694,240 S	11/2013	Cho	
8,640,759 B2	2/2014	Chen	
8,675,353 B1 *	3/2014	Alonzo	G06F 1/1628 361/679.01

Related U.S. Application Data

- (62) Division of application No. 29/557,991, filed on Mar. 14, 2016, now Pat. No. Des. 781,861, which is a division of application No. 29/477,417, filed on Dec. 20, 2013, now Pat. No. Des. 751,557.

- (51) **LOC (11) Cl.** **14-02**
- (52) **U.S. Cl.**
USPC **D14/432**

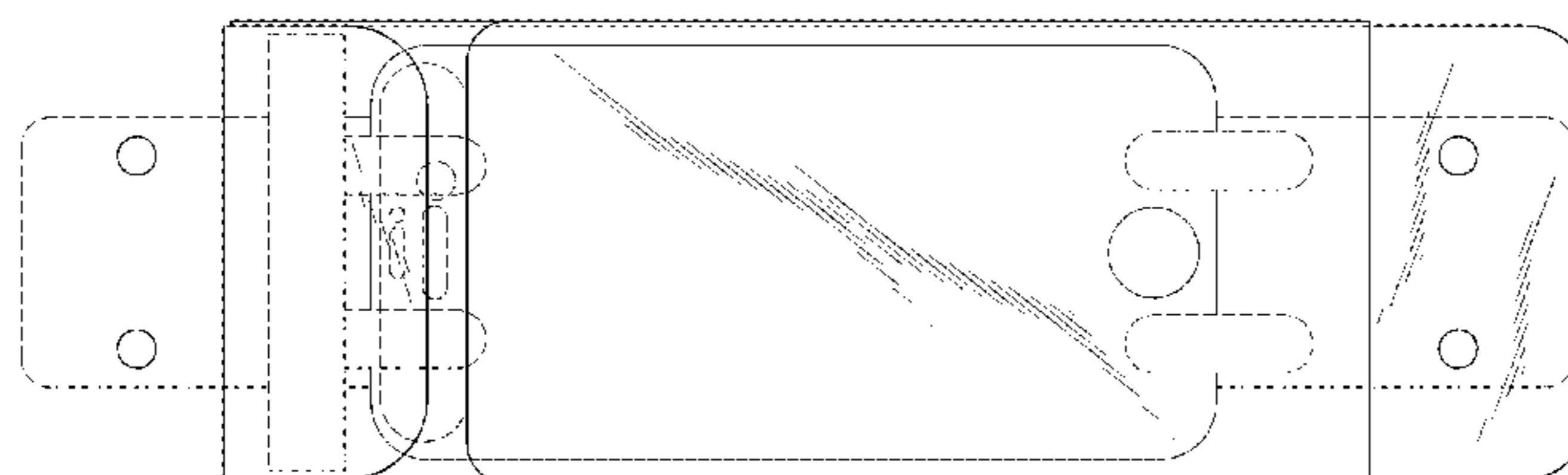
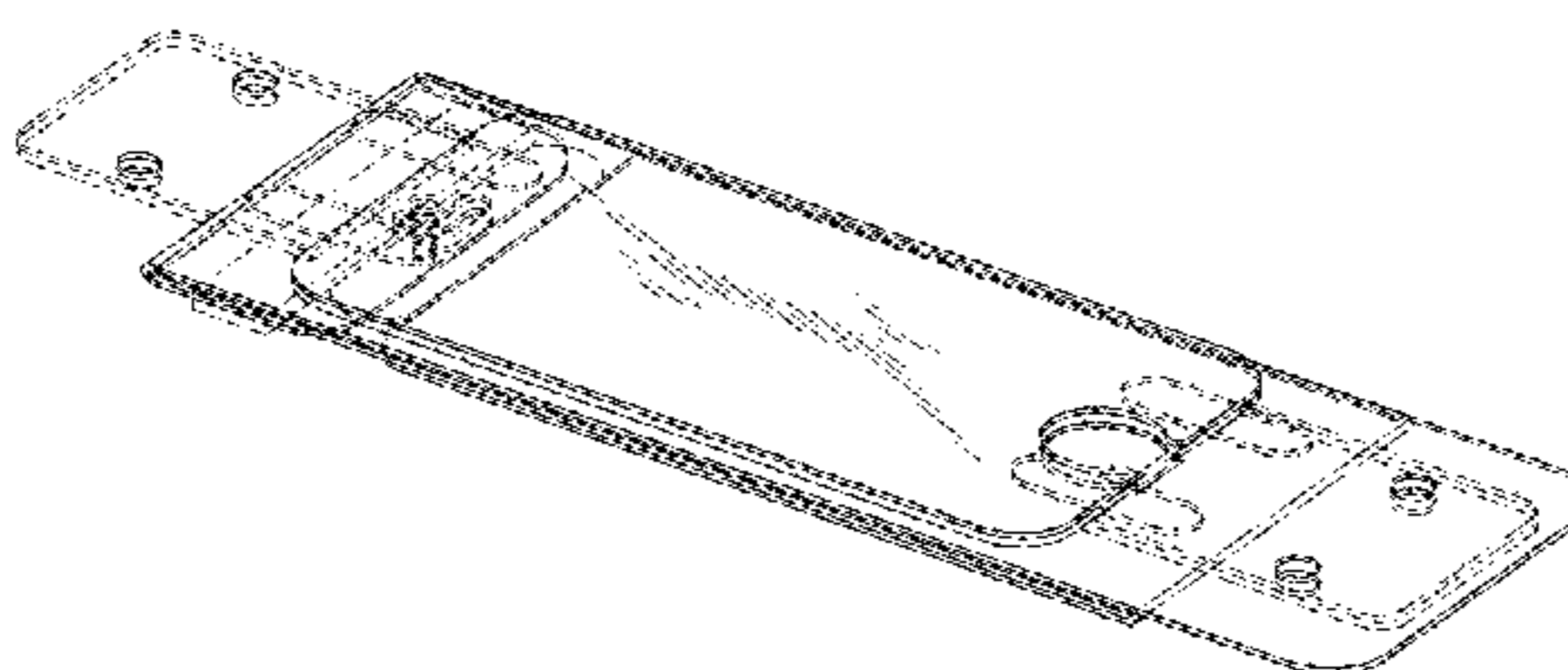
- (58) **Field of Classification Search**
USPC D14/316-319, 432-439, 442, 451-454, D14/496, 495, 391, 385, 367, 356; D8/331, 330; D18/50, 4.6, 4.5; 439/630, 439/635, 639, 160; 360/2; 235/492, 486, 235/479, 380
CPC G06F 1/1643; G06F 1/169; H04B 1/3888
See application file for complete search history.

(56) **References Cited**

U.S. PATENT DOCUMENTS

4,285,559 A	8/1981	Koch
D305,648 S	1/1990	Edington
4,895,231 A	1/1990	Yamaguchi et al.
5,069,732 A	12/1991	Levine
5,680,709 A	10/1997	Stone
5,805,251 A	9/1998	Ozawa
6,406,758 B1	6/2002	Bottari et al.
7,084,859 B1	8/2006	Pryor

D707,217 S	6/2014	Toulotte	
D710,843 S	8/2014	Akana	
D713,397 S *	9/2014	Du	D14/250
D714,053 S	9/2014	Yoo	
8,821,659 B2	9/2014	Ng et al.	
D715,301 S	10/2014	Ashcraft et al.	
D715,784 S	10/2014	Lin et al.	
D720,353 S	12/2014	Nakamura	
D721,359 S	1/2015	Kim	
8,931,770 B1	1/2015	Kaminski	
9,001,502 B1	4/2015	Cowan	
9,010,396 B2	4/2015	Patel et al.	
D729,235 S	5/2015	Nagao et al.	
D734,311 S	7/2015	Takamoto et al.	
9,089,085 B2	7/2015	Patel	
9,159,260 B2	10/2015	Oh	
D743,402 S	11/2015	Ehara et al.	
D746,265 S	12/2015	Colby et al.	
D747,320 S	1/2016	Snyder et al.	
D751,556 S	3/2016	Conley et al.	
D751,557 S	3/2016	Lane	
D759,640 S	6/2016	Wadsworth	
D767,550 S *	9/2016	Beaupre	D14/250
D769,857 S	10/2016	Shin et al.	
D772,199 S	11/2016	Igarashi	
D773,927 S	12/2016	Cernokus et al.	



US D812,063 S

D776,123 S	1/2017	Akana et al.	CN	102632674	8/2012
D777,714 S	1/2017	Akana et al.	CN	202623469	12/2012
D778,869 S	2/2017	Kim et al.	CN	202896928	4/2013
D781,861 S *	3/2017	Lane D14/432	CN	202967060	6/2013
D783,024 S *	4/2017	Conley D14/432	CN	203077741	7/2013
9,662,860 B2 *	5/2017	Wadsworth B32B 7/06	JP	10199422	7/1998
9,688,016 B2	6/2017	Rostami	JP	2002049327	2/2002
9,701,062 B2 *	7/2017	Wadsworth B29C 65/7808	JP	2002057764	2/2002
9,701,096 B2 *	7/2017	Beaupre B32B 7/06	JP	2003066419	3/2003
2002/0054030 A1	5/2002	Murphy	JP	2006145918	6/2006
2004/0109096 A1	6/2004	Anderson et al.	JP	2006155452	6/2006
2004/0246386 A1	12/2004	Thomas et al.	JP	3124275	8/2006
2005/0030296 A1	2/2005	Stohrer et al.	JP	3180690	12/2012
2005/0164148 A1	7/2005	Sinclair	KR	200454225	6/2011
2007/0013662 A1	1/2007	Fauth	KR	101080018	11/2011
2007/0058990 A1	3/2007	Weaver et al.	KR	101135144	4/2012
2007/0115621 A1	5/2007	Guillen	KR	101176316	8/2012
2007/0229962 A1	10/2007	Mason, Jr.	KR	1020130043720	5/2013
2007/0247793 A1	10/2007	Carnevali	KR	300704457	8/2013
2007/0293282 A1	12/2007	Lewis et al.	KR	300704458	8/2013
2009/0015509 A1 *	1/2009	Gottwald H01Q 1/3233	KR	300704459	8/2013
		343/878	KR	300704460	8/2013
2009/0133219 A1	5/2009	Lowry et al.	KR	1020130092713	8/2013
2009/0186181 A1	7/2009	Mase	KR	1020130092804	8/2013
2009/0314400 A1 *	12/2009	Liu A45C 11/00	KR	300720375	12/2013
		150/165	KR	300720376	12/2013
2010/0053926 A1	3/2010	Shi et al.	KR	101408663	6/2014
2010/0079972 A1	4/2010	Chen et al.	KR	1020140070046	6/2014
2010/0097757 A1 *	4/2010	Wang H05K 9/0032	KR	1020140076245	6/2014
		361/693	KR	101468710	12/2014
2010/0309152 A1	12/2010	Kusuda et al.	KR	200475419	12/2014
2011/0206887 A1	8/2011	Kim	KR	200475420	12/2014
2011/0267793 A1	11/2011	Cohen	KR	1020140136596	12/2014
2011/0279383 A1	11/2011	Wilson et al.	KR	1020140142904	12/2014
2011/0309608 A1	12/2011	Flynn et al.	KR	1020140143262	12/2014
2012/0043015 A1	2/2012	Feller	KR	1020150006910	1/2015
2012/0063077 A1 *	3/2012	Tomobe H04M 1/0264	KR	200476916	4/2015
		361/679.01	KR	1020150039292	4/2015
2012/0076967 A1	3/2012	Muramatsu	KR	2020150001663	5/2015
2012/0087072 A1	4/2012	McGuire et al.	KR	300804459	7/2015
2012/0110868 A1	5/2012	Abbondanzio	KR	1020160022665	3/2016
2012/0183712 A1	7/2012	Leonhard et al.	KR	1020160022755	3/2016
2012/0211168 A1	8/2012	Patel et al.	KR	1020160061078	5/2016
2012/0211170 A1	8/2012	Patel et al.	KR	1020160088067	7/2016
2012/0261930 A1	10/2012	Bethea	KR	1020160091491	8/2016
2012/0268394 A1	10/2012	Hsu et al.	KR	2020170000128	1/2017
2012/0276318 A1	11/2012	Franke	TW	1401223	7/2013
2013/0020005 A1	1/2013	Koblick et al.	WO	2004005141	1/2004
2013/0020020 A1 *	1/2013	Liu B29C 63/02	WO	2005058705	6/2005
		156/247	WO	WO2011065796	6/2011
2013/0040088 A1	2/2013	Hirayama et al.	WO	2011163151	12/2011
2013/0048203 A1	2/2013	Yau et al.	WO	2012074802	6/2012
2013/0156999 A1	6/2013	Braesch et al.	WO	2012141505	10/2012
2013/0184845 A1	7/2013	Hales			
2013/0237296 A1	9/2013	Chen			
2013/0264235 A1	10/2013	Lin			
2014/0047708 A1	2/2014	Chae			
2014/0055927 A1	2/2014	Wang			
2014/0124146 A1	5/2014	Patel et al.			
2014/0250964 A1	9/2014	Dai et al.			
2014/0332417 A1	11/2014	Wicks et al.			
2014/0338829 A1	11/2014	Peng et al.			
2015/0000831 A1	1/2015	Wang			
2015/0041069 A1 *	2/2015	Wadsworth B29C 63/024			
		156/535			
2015/0047773 A1 *	2/2015	Wadsworth B29C 63/0047			
		156/182			
2015/0107767 A1 *	4/2015	Wadsworth B29C 66/861			
		156/324			
2015/0121691 A1	5/2015	Wang			
2015/0227226 A1	8/2015	Wierenga et al.			
2015/0362736 A1	12/2015	Kowasic			
2017/0001364 A1	1/2017	MacDonald et al.			

OTHER PUBLICATIONS

Translation of KR-10-1135144, retrieved from the Internet on Jun. 9, 2017.

International Search Report and Written Opinion for PCT/US2014/050420 dated Nov. 19, 2014.

International Search Report and Written Opinion for PCT/US2014/060300 dated Jan. 27, 2015.

International Search Report and Written Opinion for PCT/US2014/071767 dated Apr. 24, 2015.

Amzer—Kristal Screen Protectors <http://www.amzer.com/kristal/>, Mar. 21, 2014.

MyScreenPROTECTOR—<https://www.myscreenprotector.com/lng=3&view=cms&txt=about-my-screen-protector>, Mar. 21, 2014.

PureGear—PureTek Roll-On Kit—<http://www.pure-gear.com/shop-by-category/screen/puretek-roll-on-kit-antibacterial-antiglare-anti-fingerprint.html>, Mar. 21, 2014.

TYLT ALIN Perfect Alignment Screen Protection—<http://www.tylt.com/aln/>, Mar. 21, 2014.

ZAGG Introduces invisibleShield on Demand and invisible Shield Glass at CES 2 <http://investors.zagg.com/releasedetail.cfm?ReleaseID=817526>, Mar. 21, 2014.

FOREIGN PATENT DOCUMENTS

CN	201456516	5/2010
CN	201538078	8/2010

International Search Report for Application No. PCT/US 09/61553, dated Dec. 17, 2009.

Protrusion on "F" key of computer keyboard; 1 page; picture taken Oct. 20, 2008.

Protrusion on "5" key of telephone; 1 page; picture taken Oct. 20, 2008.

Systech Displays, Inc.; Home page; <http://www.systechdisplays.com/>; Oct. 21, 2008; 2 pages.

* cited by examiner

Primary Examiner — Austin Murphy

(74) *Attorney, Agent, or Firm* — Bryan Cave LLP

(57)

CLAIM

We claim the ornamental design for the overlay, substantially as shown and described.

DESCRIPTION

FIG. 1 is a top perspective view of an overlay, according to a first embodiment;

FIG. 2 is a bottom perspective view of the overlay, according to the first embodiment;

FIG. 3 is a top plan view of the overlay, according to the first embodiment;

FIG. 4 is a side elevational view of the overlay, according to the first embodiment, where the opposite side elevational view is a mirror image thereof;

FIG. 5 is a bottom plan view of the overlay, according to the first embodiment;

FIG. 6 is a top perspective view of an overlay, according to a second embodiment;

FIG. 7 is a bottom perspective view of the overlay, according to the second embodiment;

FIG. 8 is a top plan view of the overlay, according to the second embodiment;

FIG. 9 is a side elevational view of the overlay, according to the second embodiment, where the opposite side elevational view is a mirror image thereof;

FIG. 10 is a bottom plan view of the overlay, according to the second embodiment;

FIG. 11 is a top perspective view of an overlay, according to a third embodiment;

FIG. 12 is a bottom perspective view of the overlay, according to the third embodiment;

FIG. 13 is a top plan view of the overlay, according to the third embodiment;

FIG. 14 is a side elevational view of the overlay, according to the third embodiment, where the opposite side elevational view is a mirror image thereof; and,

FIG. 15 is a bottom plan view of the overlay, according to the third embodiment.

The evenly dashed broken lines of the various embodiments of the overlay are directed to environment and are for illustrative purposes only; the evenly dashed broken lines form no part of the claimed design.

1 Claim, 6 Drawing Sheets

FIG. 1

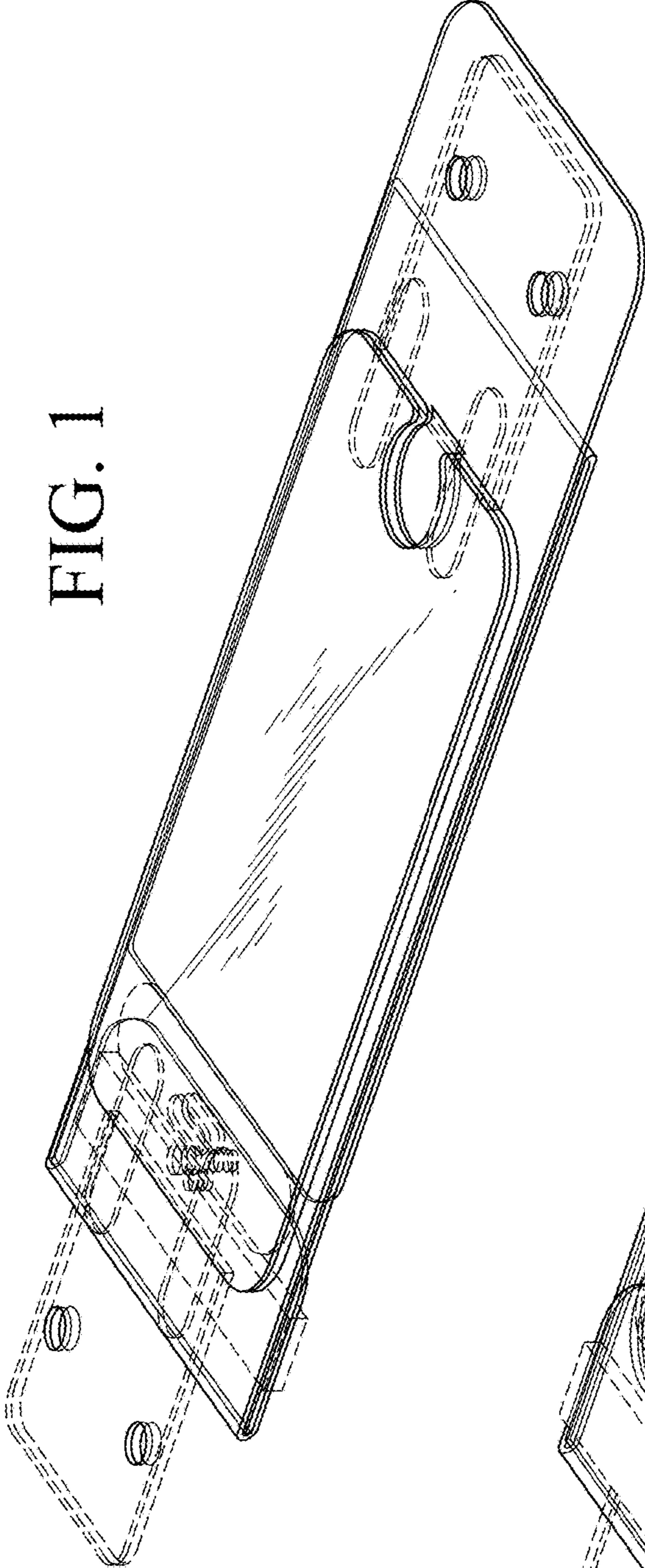
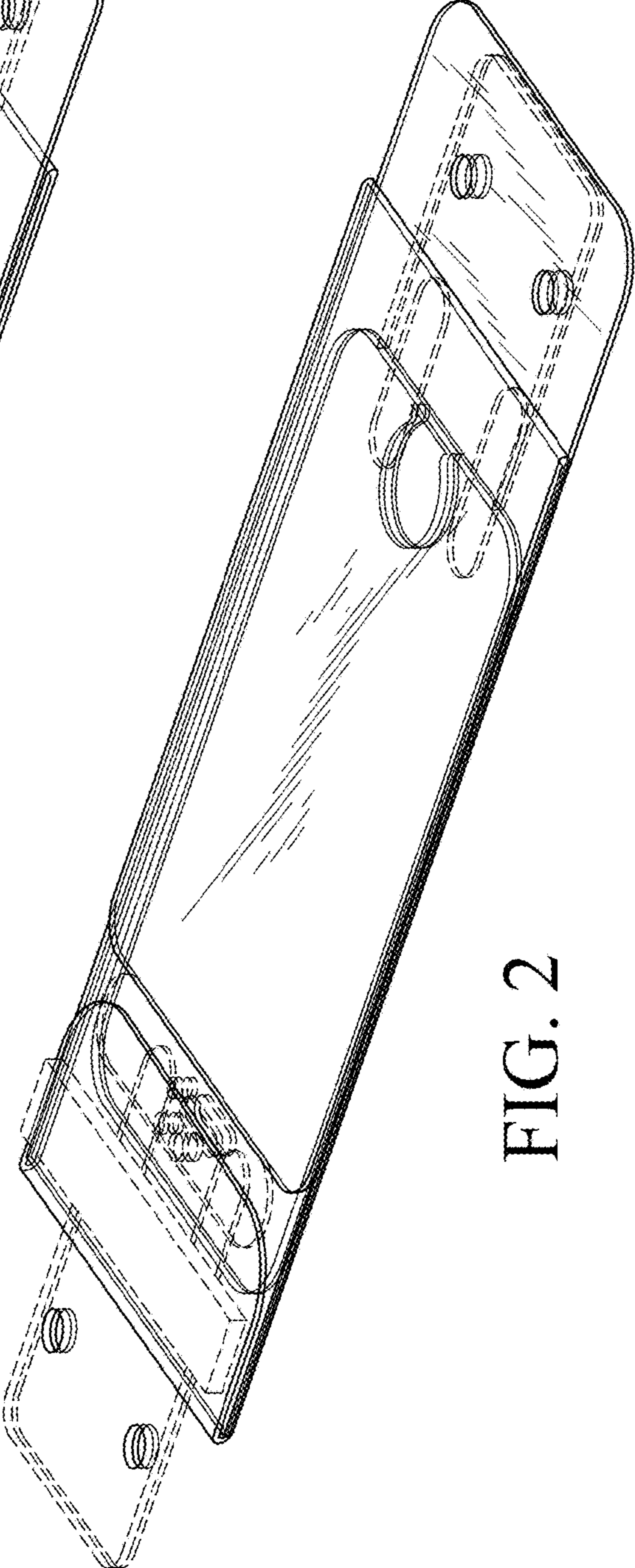


FIG. 2



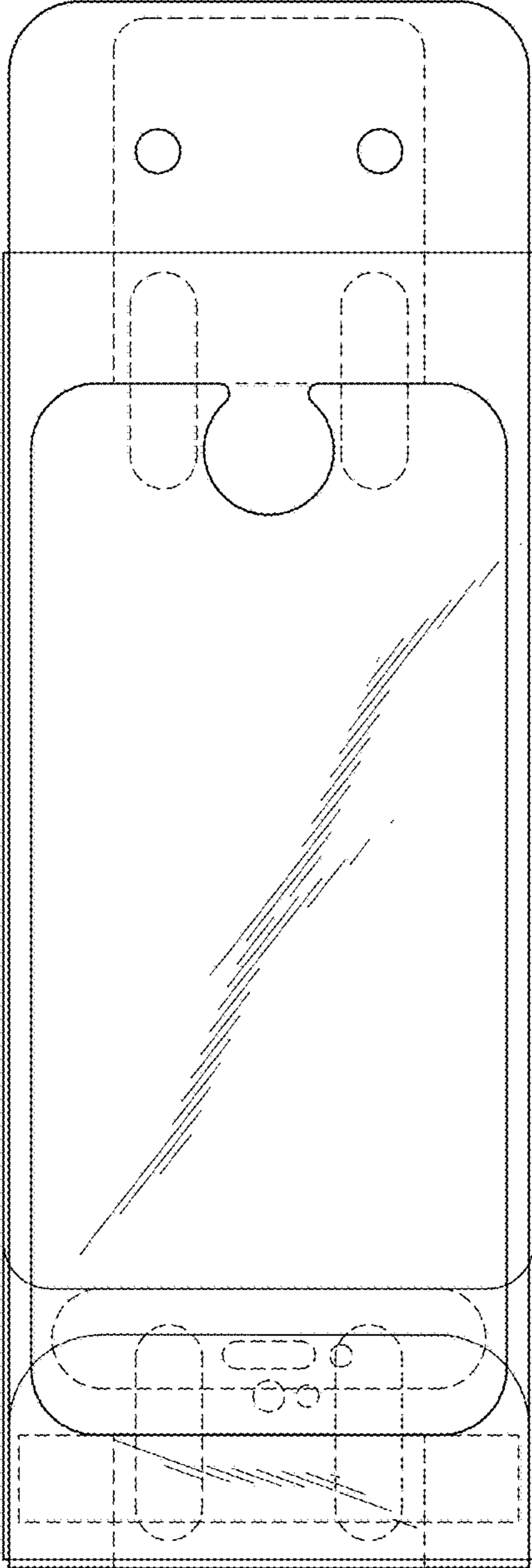


FIG. 3

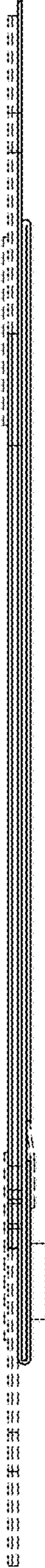


FIG. 4

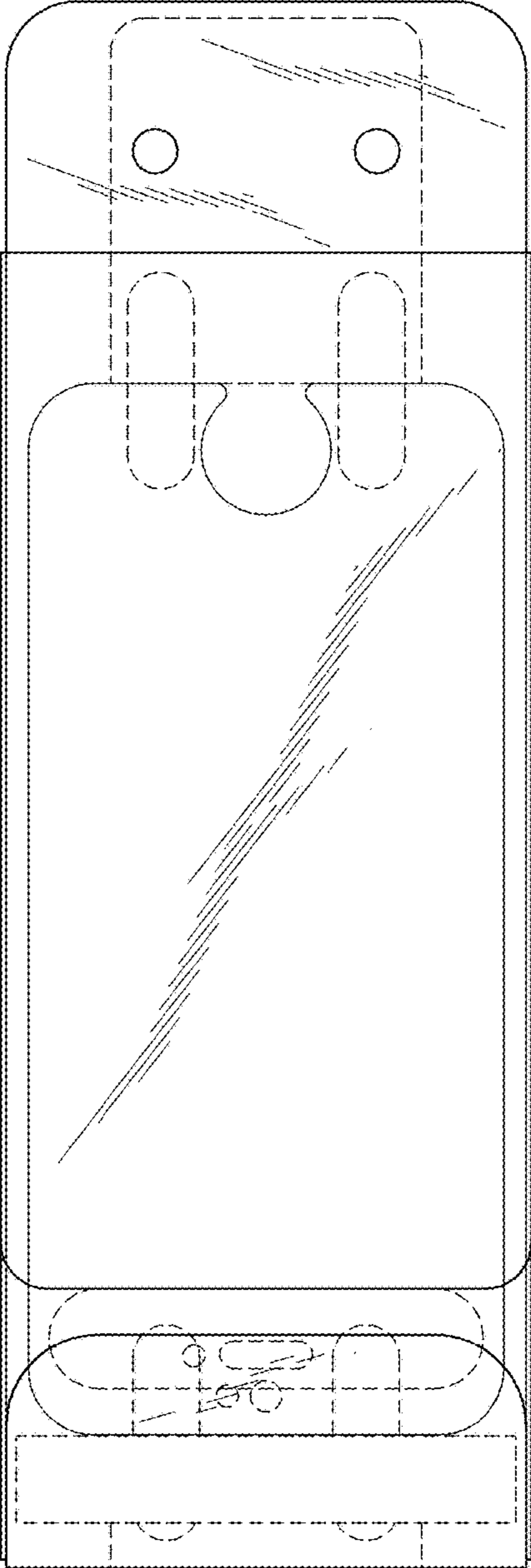


FIG. 5

FIG. 6

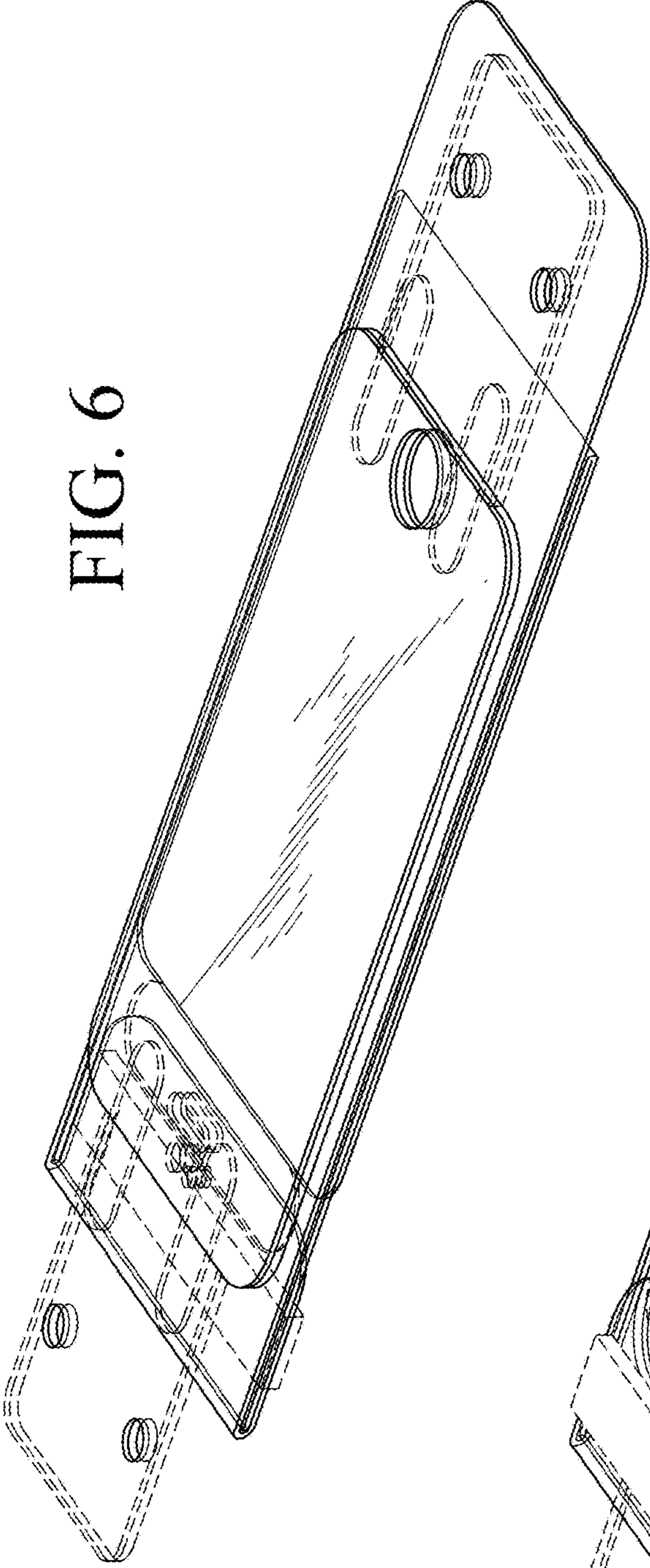
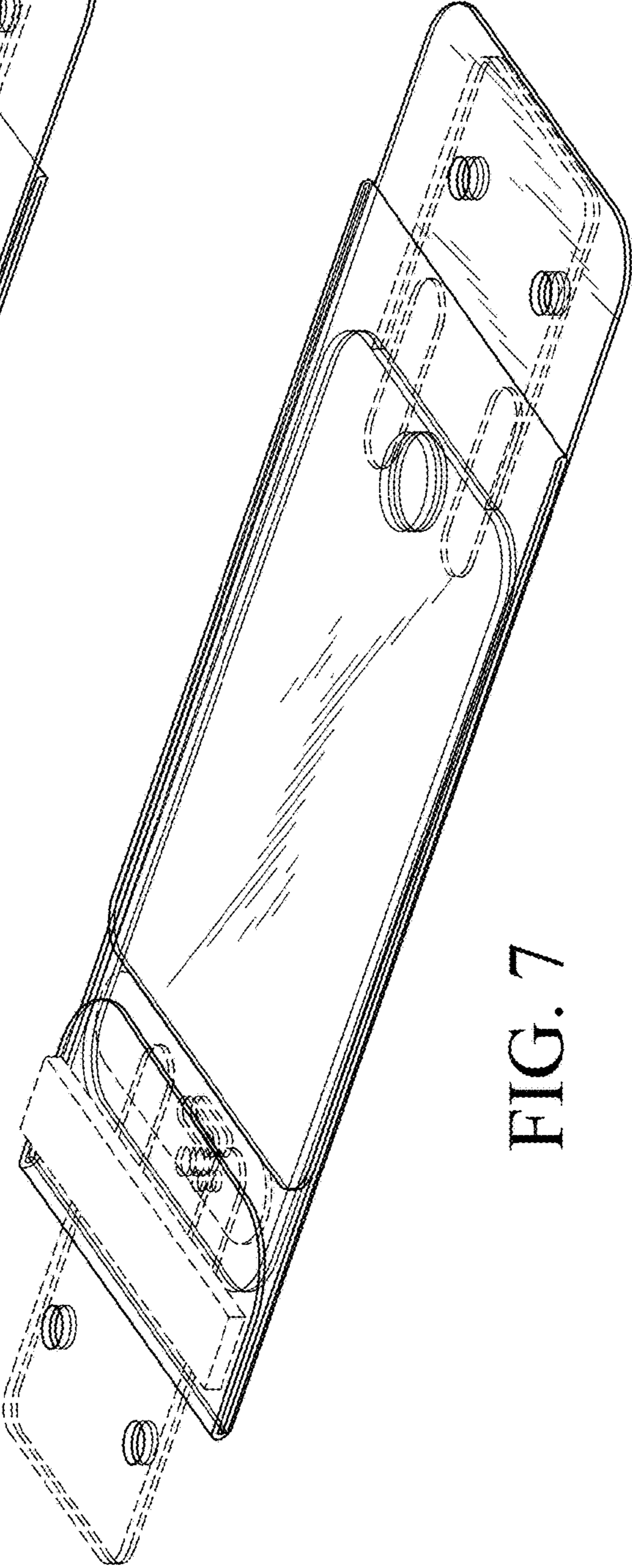


FIG. 7



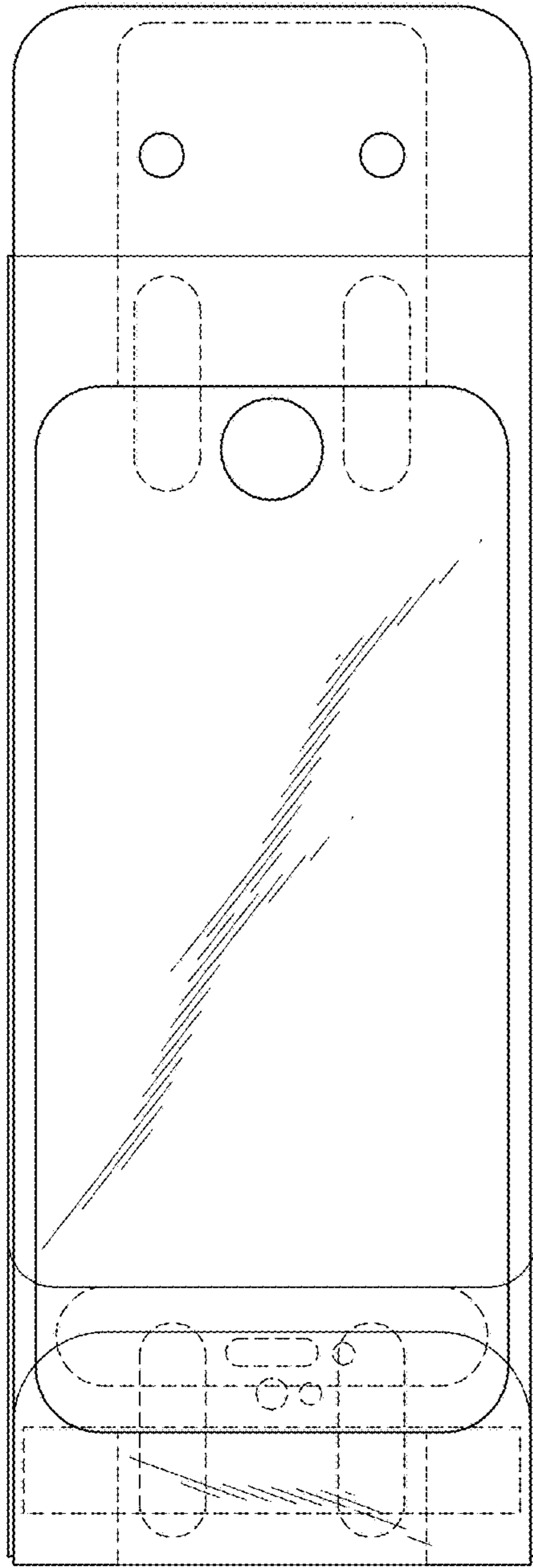


FIG. 8

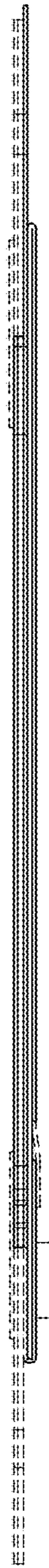


FIG. 9

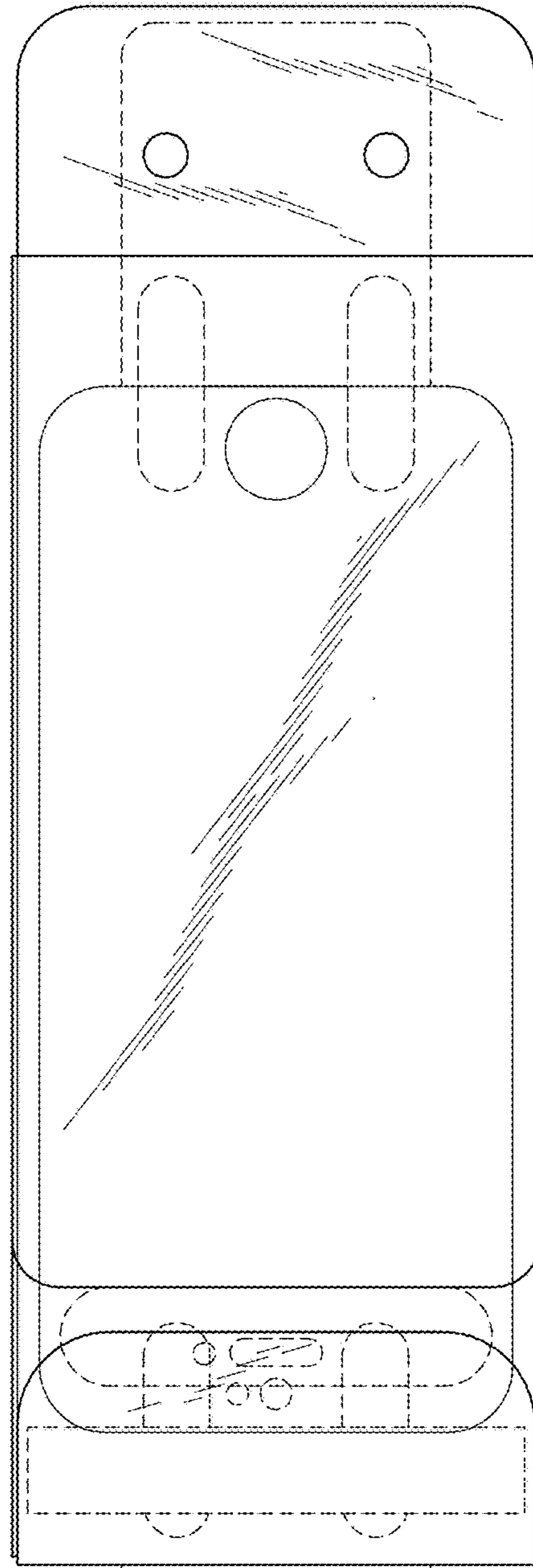


FIG. 10

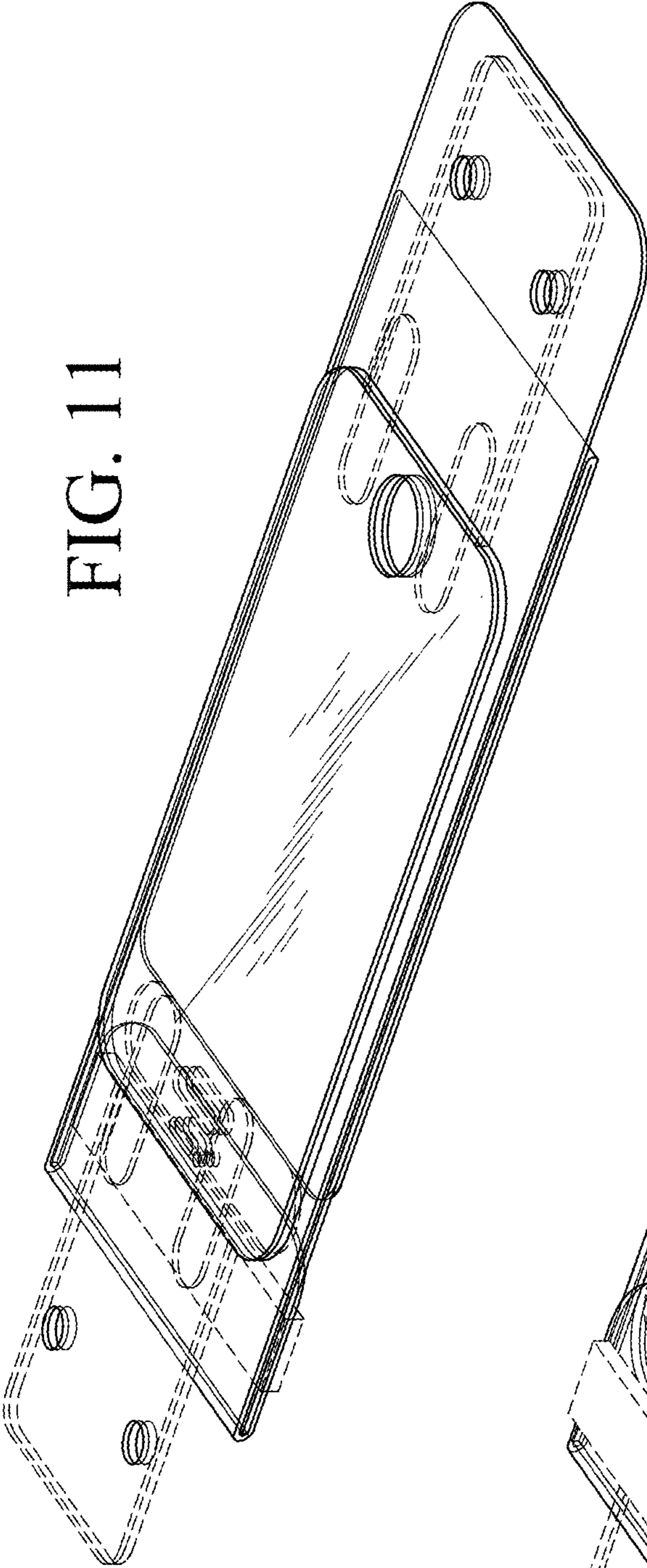


FIG. 11

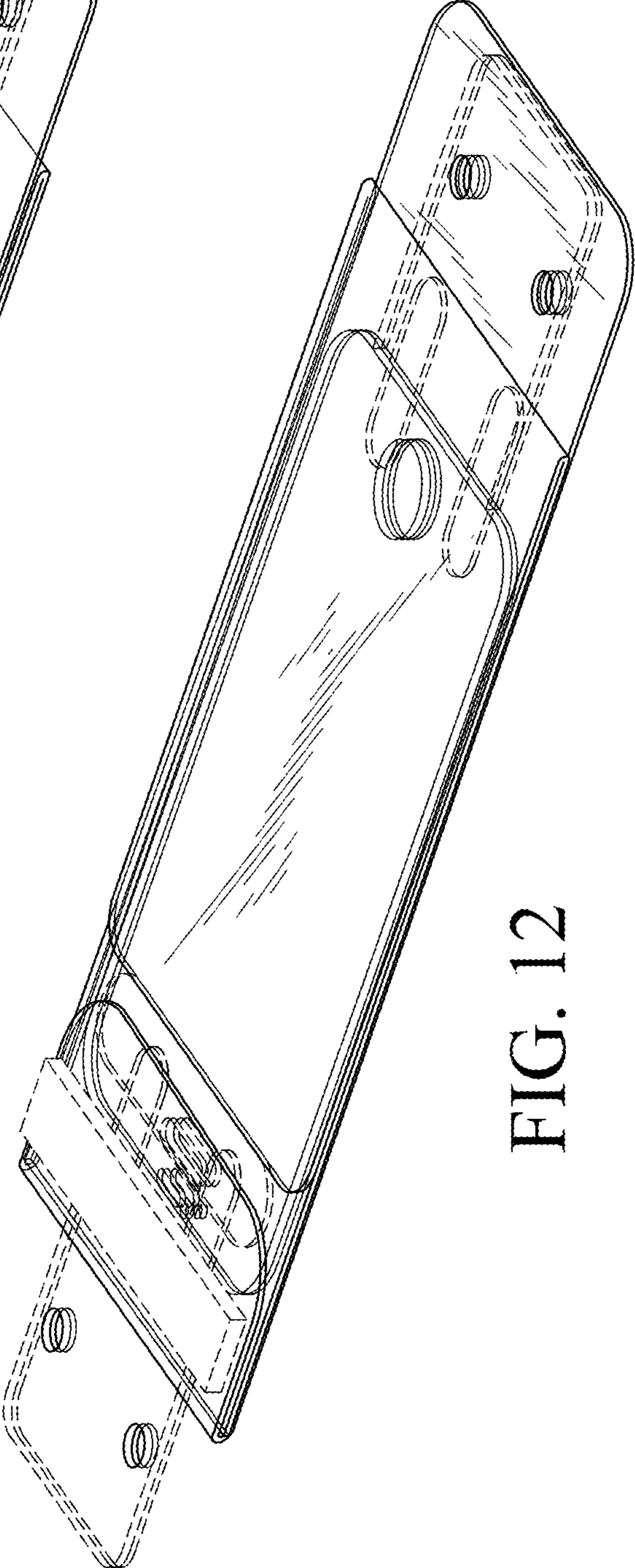


FIG. 12

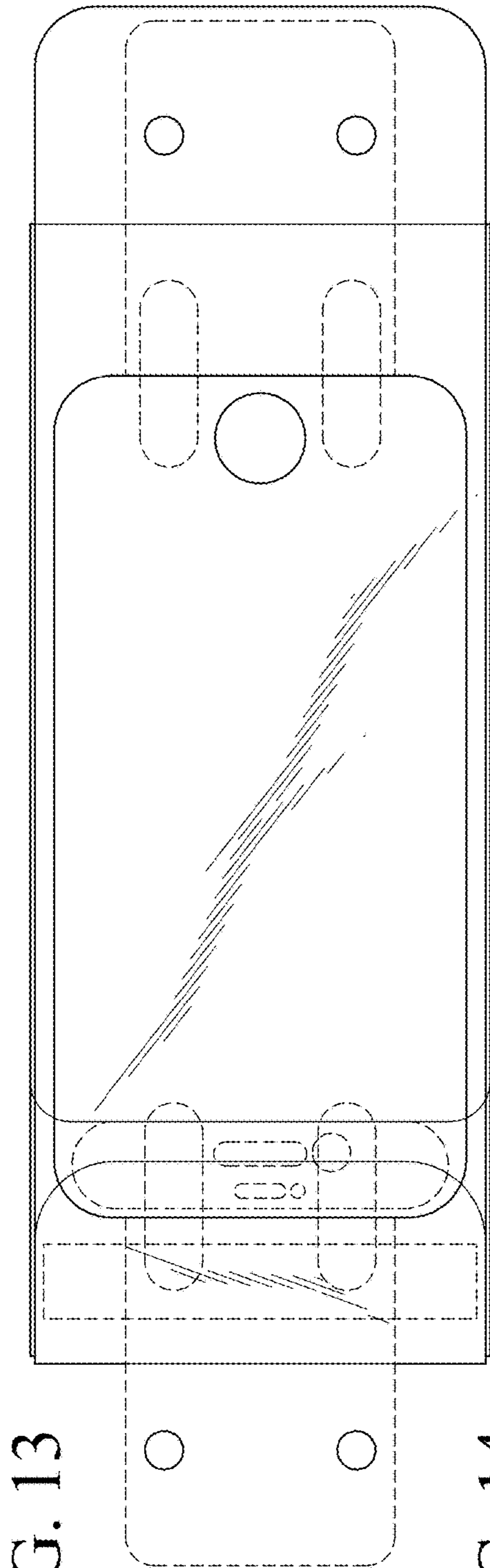


FIG. 13

FIG. 14

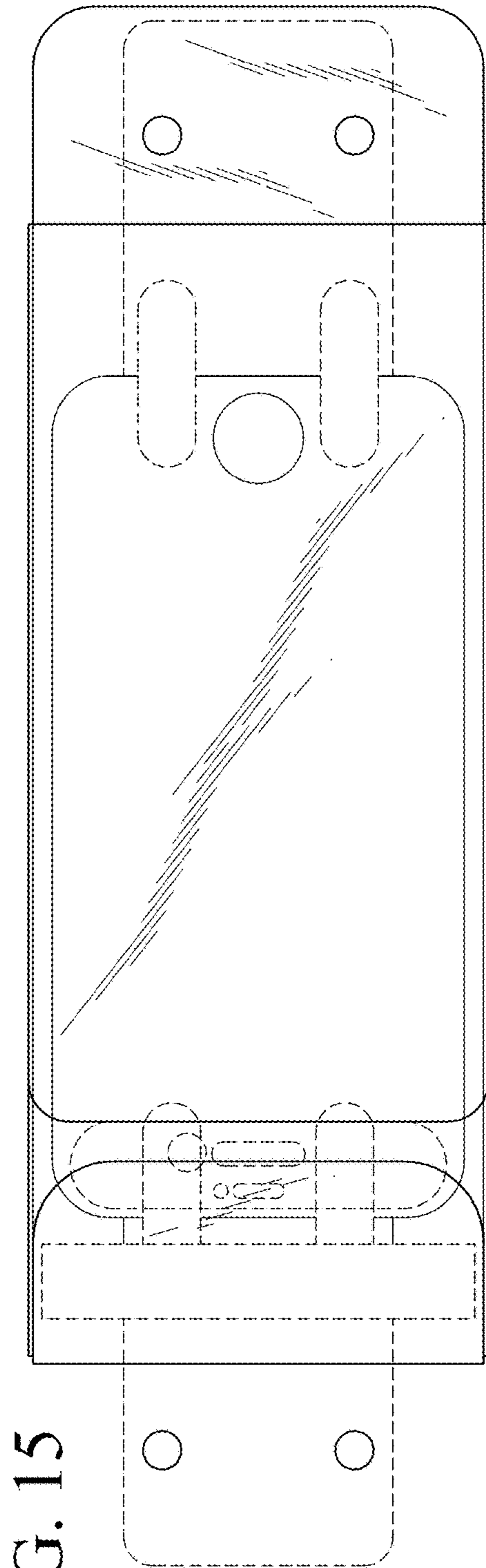
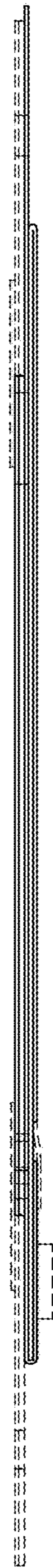


FIG. 15