



US00D812060S

(12) **United States Design Patent**  
**Lehman et al.**

(10) **Patent No.:** **US D812,060 S**  
(45) **Date of Patent:** **\*\* Mar. 6, 2018**

(54) **ELECTRONIC PEN**

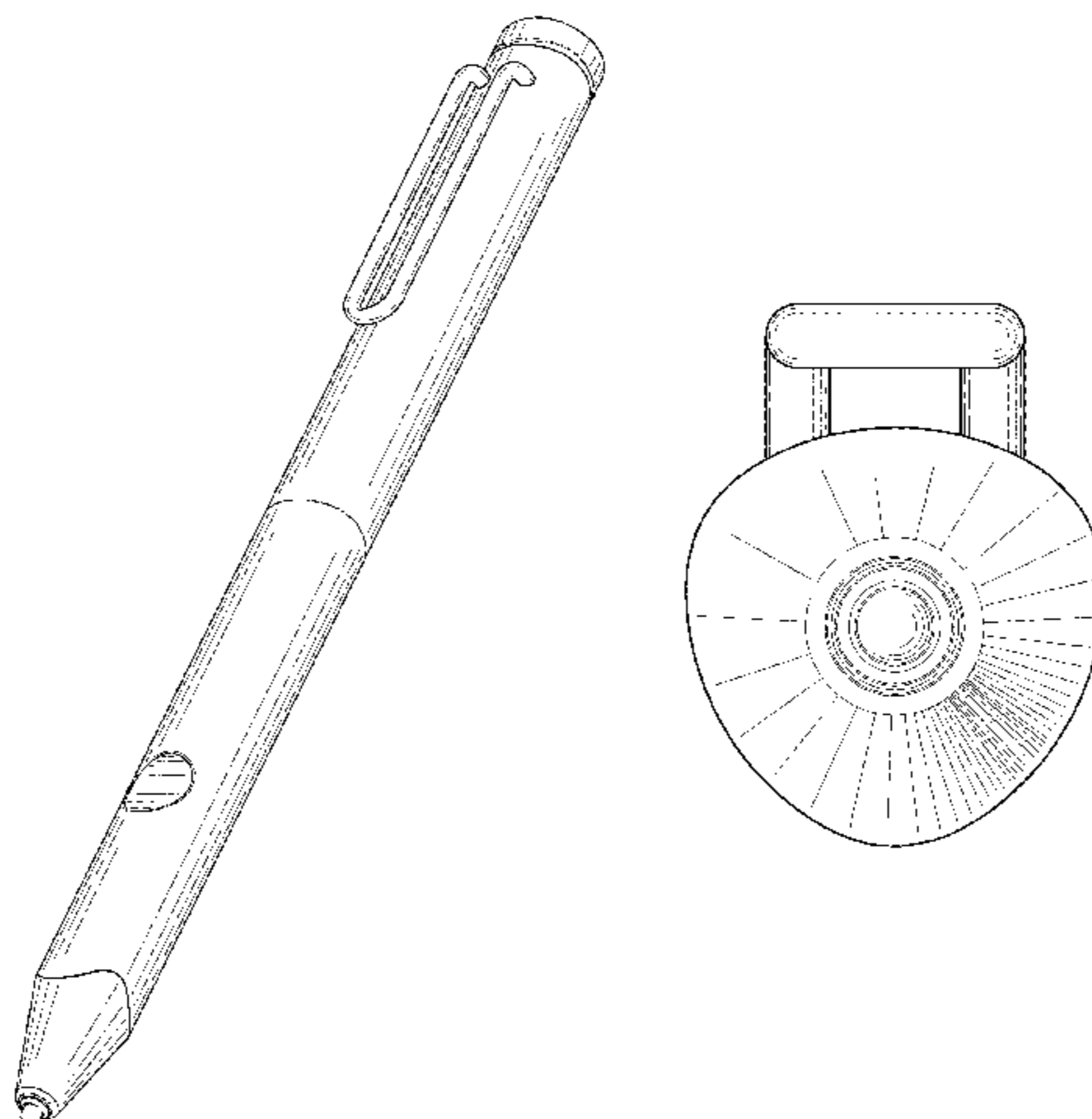
**DESCRIPTION**

- (71) Applicant: **Wacom Co., Ltd.**, Kazo-shi, Saitama (JP)
- (72) Inventors: **Scott Lehman**, Marietta, GA (US);  
**Edward I Stamm, Jr.**, Roswell, GA (US); **Naoya Nishizawa**, Tokyo (JP)
- (73) Assignee: **Wacom Co., Ltd.**, Kazo-shi (JP)
- (\*\*) Term: **15 Years**
- (21) Appl. No.: **29/594,480**
- (22) Filed: **Feb. 17, 2017**
- (30) **Foreign Application Priority Data**  
Aug. 22, 2016 (JP) ..... 2016-017805
- (51) **LOC (11) Cl.** ..... **14-02**
- (52) **U.S. Cl.**  
USPC ..... **D14/411**
- (58) **Field of Classification Search**  
USPC ..... D14/372, 496, 432, 371, 125, 126, 129,  
D14/299, 411; D16/300-342; 351/158,  
(Continued)
- (56) **References Cited**  
**U.S. PATENT DOCUMENTS**  
D708,617 S \* 7/2014 Nakata ..... D14/411  
D717,301 S \* 11/2014 Groene ..... D14/411  
(Continued)  
**FOREIGN PATENT DOCUMENTS**  
JP D1553034 S 7/2016  
*Primary Examiner* — Austin Murphy  
(74) *Attorney, Agent, or Firm* — Christensen O'Connor  
Johnson Kindness PLLC

FIG. 1 is a front perspective view of an electronic pen according to a first representative embodiment of our new design;  
 FIG. 2 is a rear perspective view of the electronic pen shown in FIG. 1;  
 FIG. 3 is a front view of the electronic pen shown in FIG. 1;  
 FIG. 4 is a side view of the electronic pen shown in FIG. 1, the opposite side of the side shown in FIG. 4 being a mirror image thereof and therefore not shown;  
 FIG. 5 is a rear view of the electronic pen shown in FIG. 1;  
 FIG. 6 is a top view of the electronic pen shown in FIG. 1;  
 FIG. 7 is a bottom view of the electronic pen shown in FIG. 1;  
 FIG. 8 is a front perspective view of an electronic pen according to a second representative embodiment of our new design;  
 FIG. 9 is a rear perspective view of the electronic pen shown in FIG. 8;  
 FIG. 10 is a front view of the electronic pen shown in FIG. 8;  
 FIG. 11 is a side view of the electronic pen shown in FIG. 8, the opposite side of the side shown in FIG. 11 being a mirror image thereof and therefore not shown;  
 FIG. 12 is a rear view of the electronic pen shown in FIG. 8;  
 FIG. 13 is a top view of the electronic pen shown in FIG. 8; and,  
 FIG. 14 is a bottom view of the electronic pen shown in FIG. 8.  
 The broken lines in the drawings show portions of the electronic pen which form no part of the claimed design. While the solid lines in the drawings form part of the claimed design, the solid lines also provide written description of prospective embodiments with aspects that are not claimed when one or more of the solid lines are amended to broken lines.

(57) **CLAIM**  
The ornamental design for an electronic pen, as shown and described.

**1 Claim, 8 Drawing Sheets**



(58) **Field of Classification Search**

USPC ..... 351/153, 144; 345/7-9, 905; 455/344;  
348/115, 53, 121, 739

CPC ..... G02B 27/017; G06F 3/016; G06F 3/033;  
G06F 3/0317; G06F 3/03545; G06F  
3/041; G06K 9/222

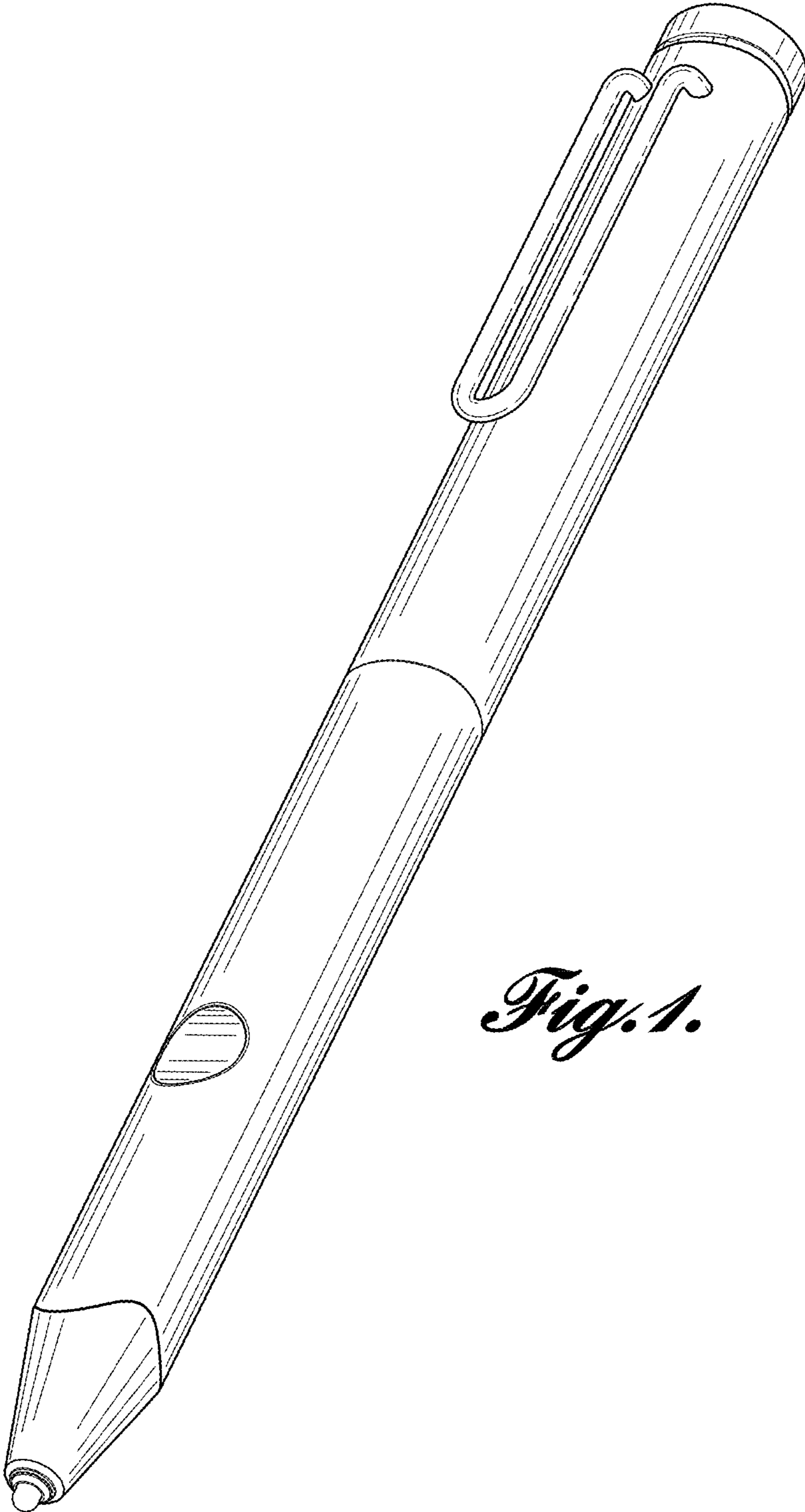
See application file for complete search history.

(56) **References Cited**

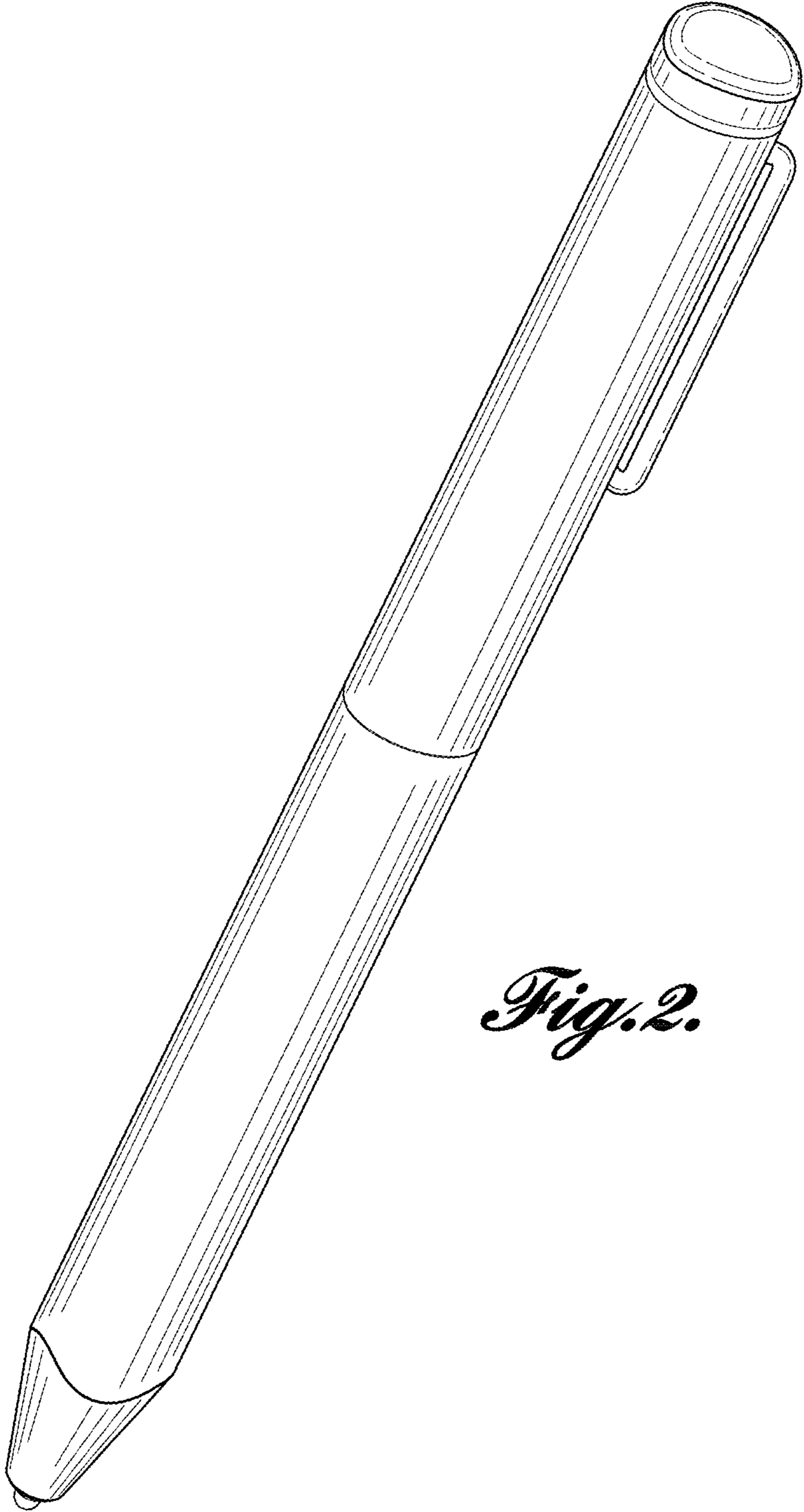
U.S. PATENT DOCUMENTS

D717,798 S	*	11/2014	Groene	.....	D14/411
D727,325 S	*	4/2015	Spector	.....	D14/411
D754,661 S	*	4/2016	Nishizawa	.....	D14/411
D768,133 S	*	10/2016	Reed	.....	D14/411
D783,022 S	*	4/2017	Sirota	.....	D14/411

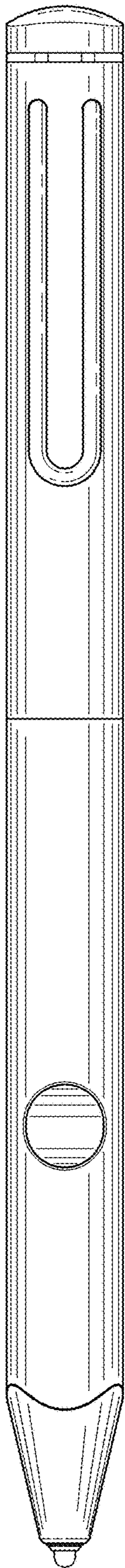
\* cited by examiner



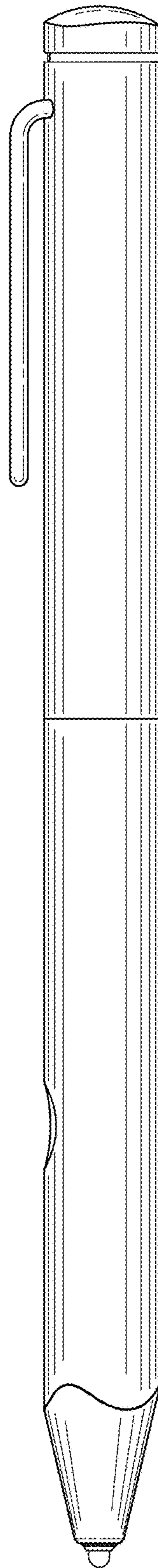
*Fig. 1.*



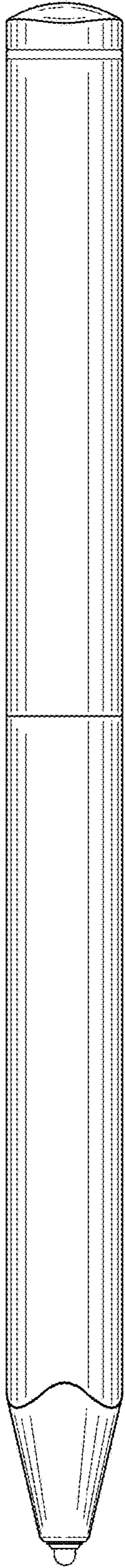
*Fig. 2.*



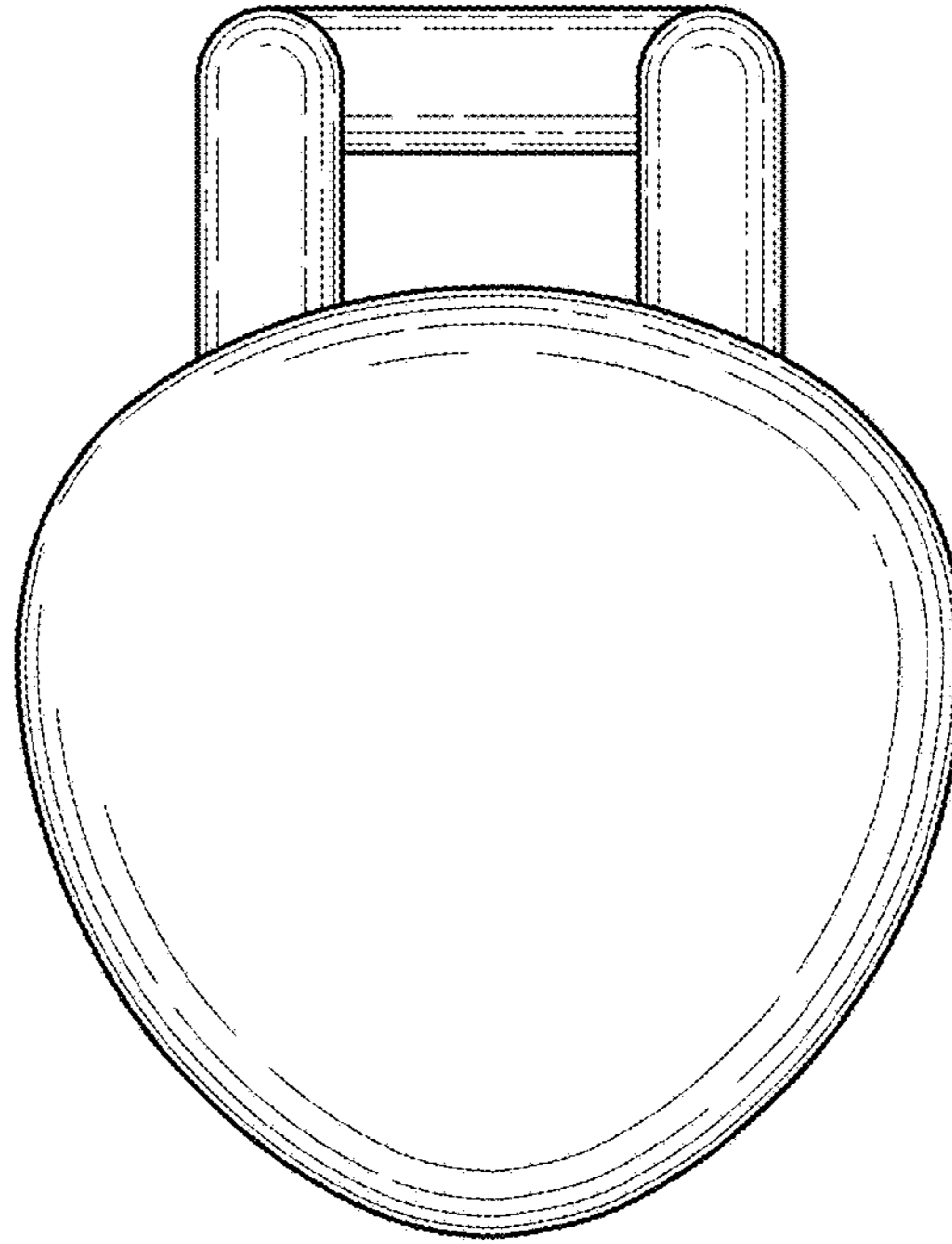
*Fig. 3.*



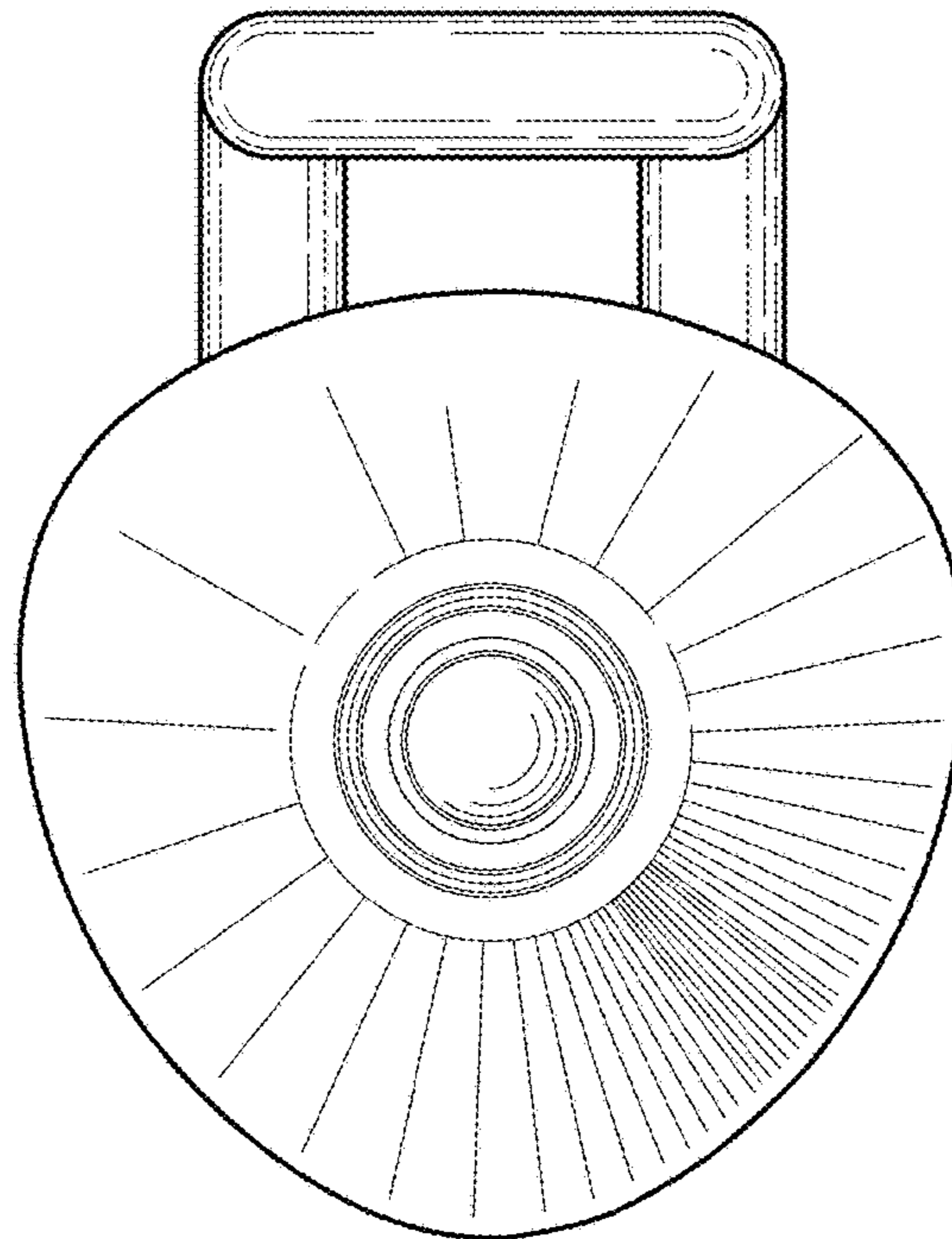
*Fig. 4.*



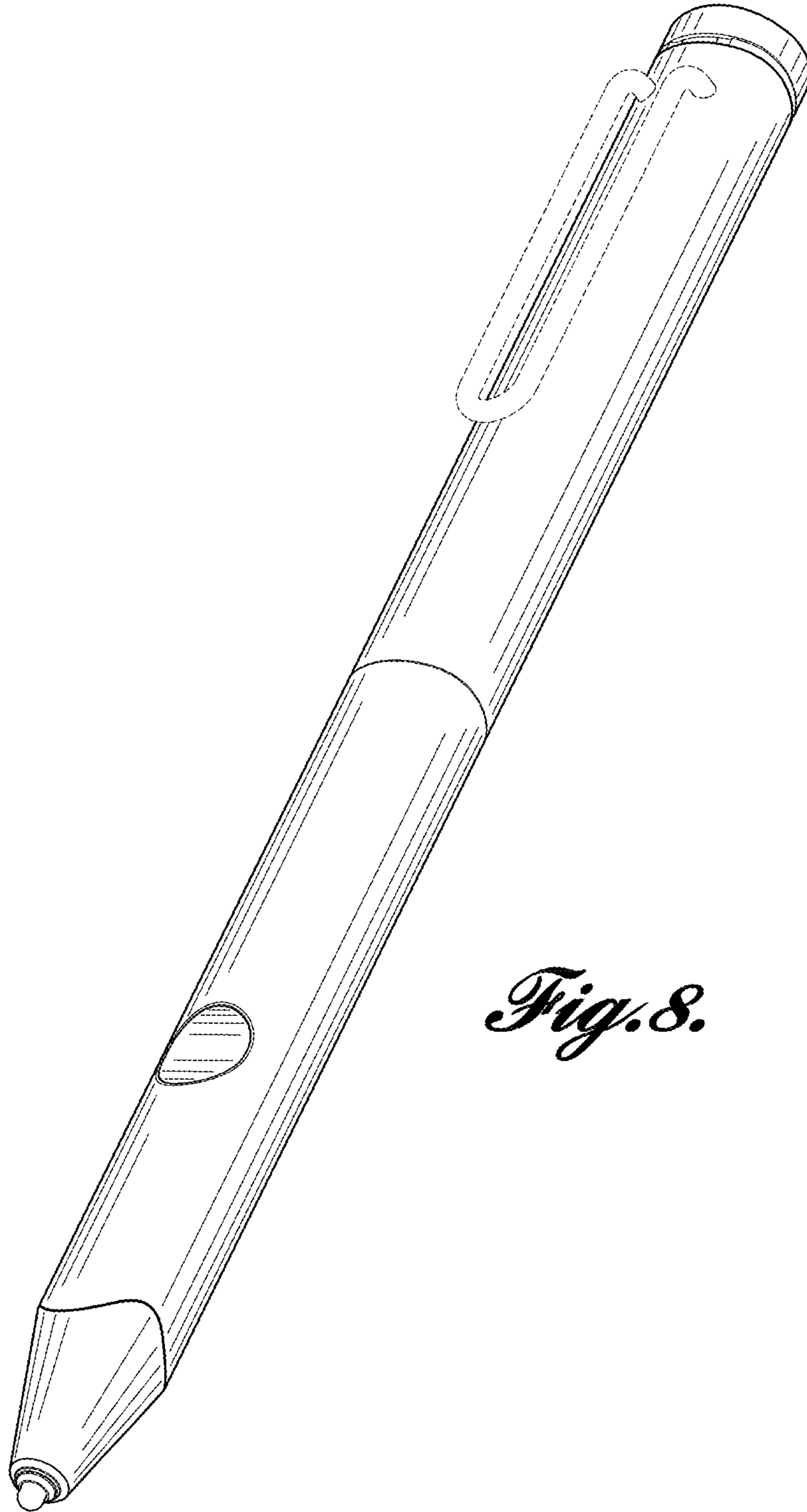
*Fig. 5.*



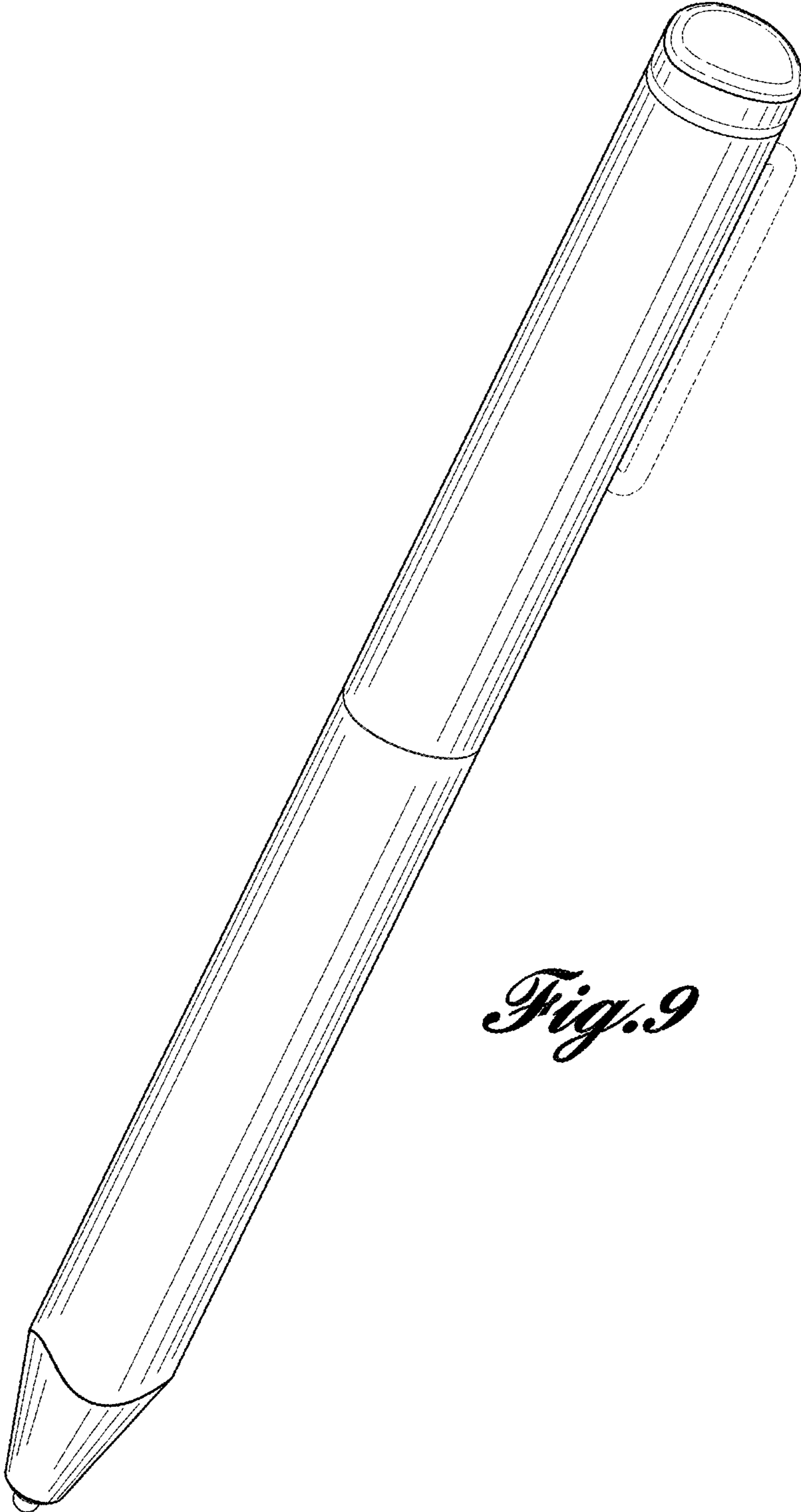
*Fig. 6.*



*Fig. 7.*

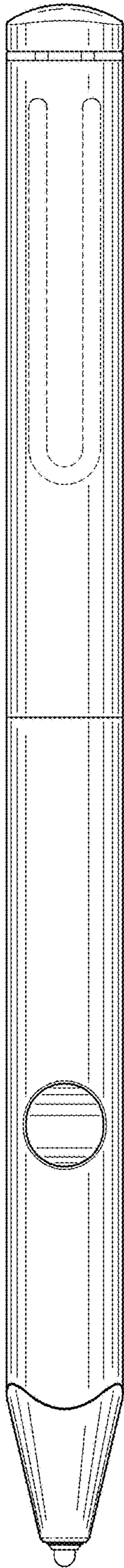


*Fig. 8.*

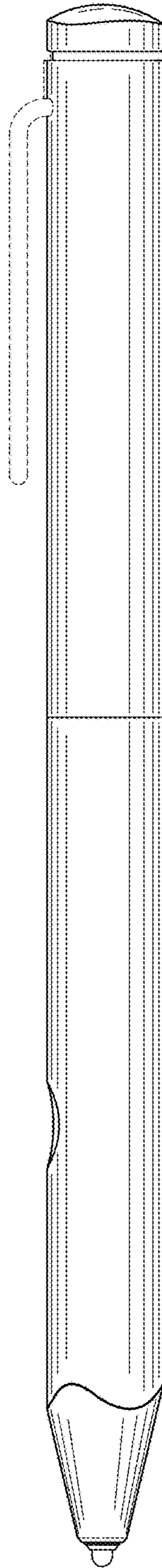


*Fig. 9*

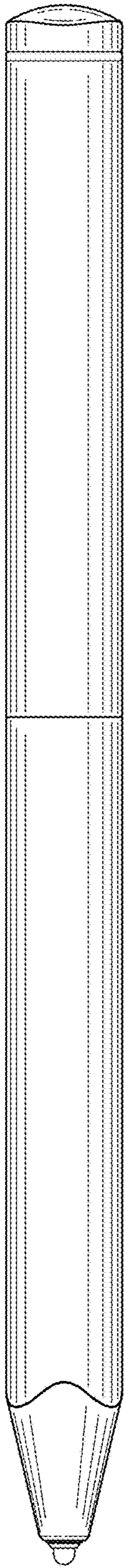




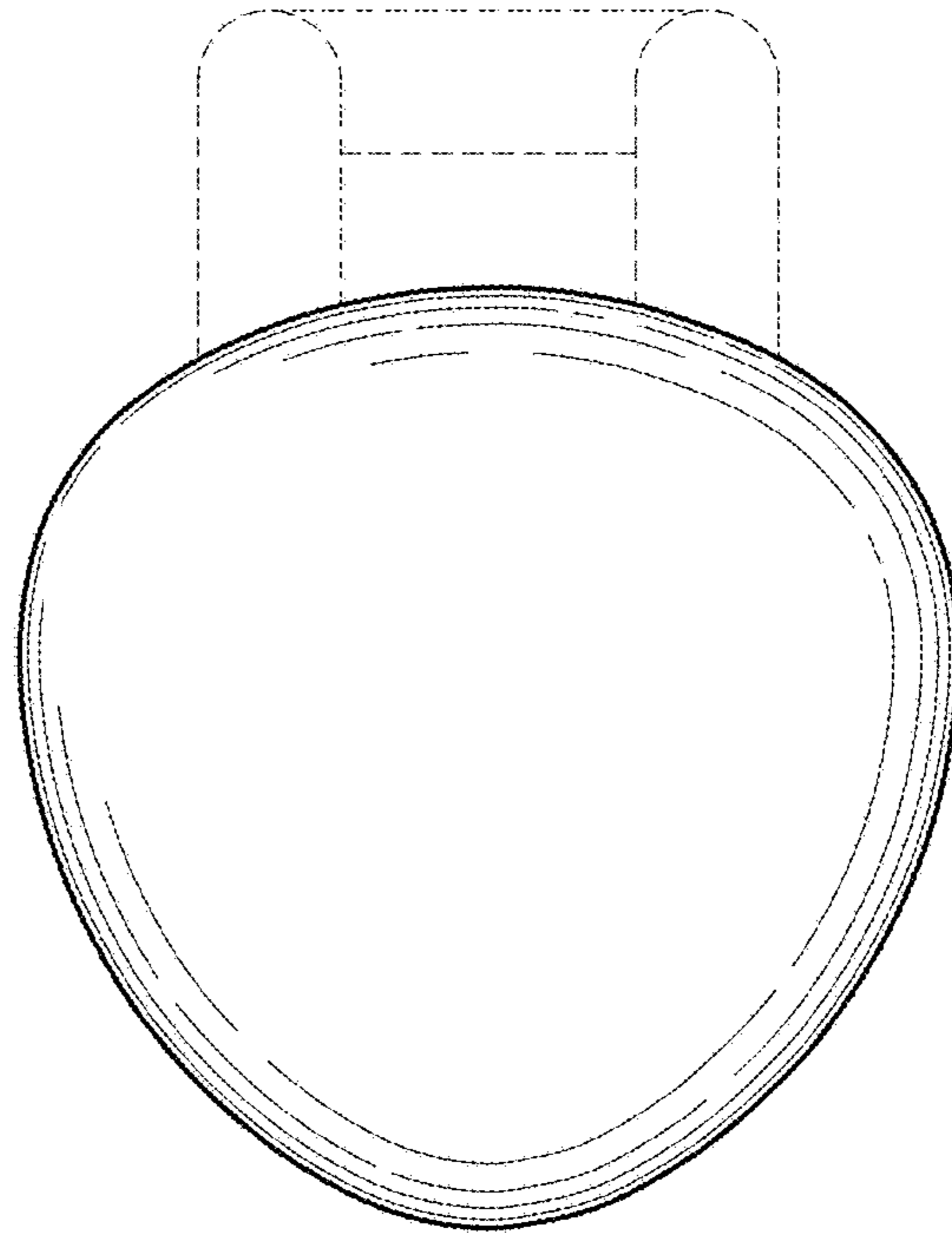
*Fig. 10.*



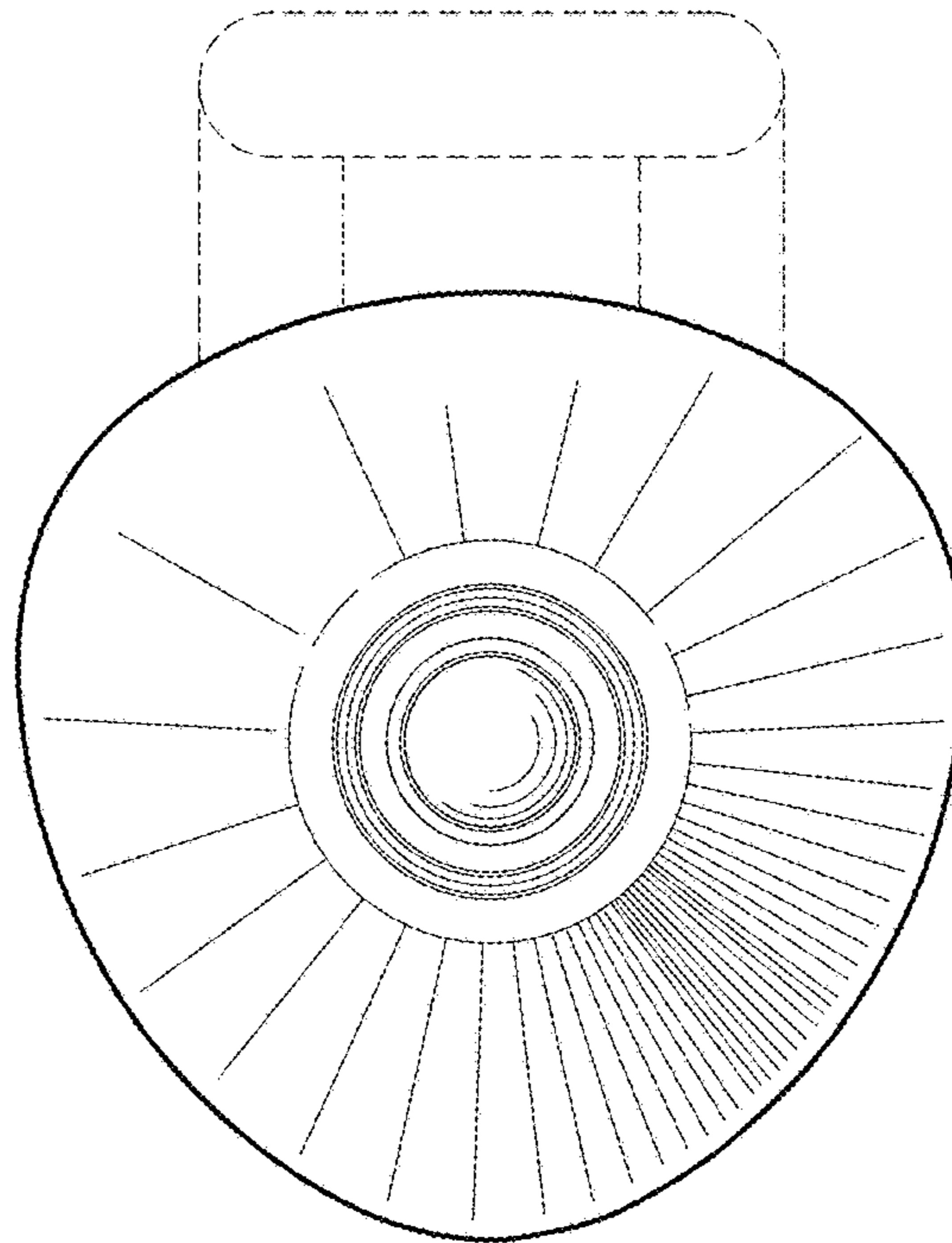
*Fig. 11.*



*Fig. 12.*



*Fig. 13.*



*Fig. 14.*