



US00D812059S

(12) **United States Design Patent**  
**Lehman et al.**

(10) **Patent No.:** **US D812,059 S**  
(45) **Date of Patent:** **\*\* Mar. 6, 2018**

(54) **STYLUS WITH BALLPOINT PEN**

**DESCRIPTION**

- (71) Applicant: **Wacom Co., Ltd.**, Kazo-shi, Saitama (JP)
- (72) Inventors: **Scott Lehman**, Marietta, GA (US);  
**Edward I. Stamm, Jr.**, Roswell, GA (US);  
**Naoya Nishizawa**, Tokyo (JP)
- (73) Assignee: **Wacom Co., Ltd.**, Kazo-shi (JP)
- (\*\*) Term: **15 Years**
- (21) Appl. No.: **29/594,479**
- (22) Filed: **Feb. 17, 2017**
- (30) **Foreign Application Priority Data**  
Aug. 22, 2016 (JP) ..... 2016-017809
- (51) **LOC (11) Cl.** ..... **14-02**
- (52) **U.S. Cl.**  
USPC ..... **D14/411**
- (58) **Field of Classification Search**  
USPC ..... D14/372, 496, 432, 371, 125, 126, 129,  
D14/299, 411; D16/300-342; 351/158,  
(Continued)
- (56) **References Cited**  
**U.S. PATENT DOCUMENTS**  
D655,292 S 3/2012 Nakata  
D659,141 S \* 5/2012 Watson ..... D14/411  
(Continued)

- FOREIGN PATENT DOCUMENTS**  
CN 302578454 S 9/2013
- Primary Examiner* — Austin Murphy
- (74) *Attorney, Agent, or Firm* — Christensen O'Connor Johnson Kindness PLLC

(57) **CLAIM**  
The ornamental design for a stylus with ballpoint pen, as shown and described.

FIG. 1 is a front perspective view of a stylus with ballpoint pen according to a first representative embodiment of our new design, wherein a cap covers the ballpoint pen;  
 FIG. 2 is a rear perspective view of the stylus shown in FIG. 1;  
 FIG. 3 is a front view of the stylus shown in FIG. 1;  
 FIG. 4 is a side view of the stylus shown in FIG. 1, the opposite side of the side shown in FIG. 4 being a mirror image thereof and therefore not shown;  
 FIG. 5 is a rear view of the stylus shown in FIG. 1;  
 FIG. 6 is a top view of the stylus shown in FIG. 1;  
 FIG. 7 is a bottom view of the stylus shown in FIG. 1;  
 FIG. 8 is a front perspective view of the stylus shown in FIG. 1 with the cap removed;  
 FIG. 9 is a rear perspective view of the stylus shown in FIG. 8;  
 FIG. 10 is a front view of the stylus shown in FIG. 8;  
 FIG. 11 is a side view of the stylus shown in FIG. 8, the opposite side of the side shown in FIG. 11 being a mirror image thereof and therefore not shown;  
 FIG. 12 is a rear view of the stylus shown in FIG. 8;  
 FIG. 13 is a top view of the stylus shown in FIG. 8;  
 FIG. 14 is a bottom view of the stylus shown in FIG. 8;  
 FIG. 15 is a front perspective view of a stylus with ballpoint pen according to a second representative embodiment of our new design, wherein a cap covers the ballpoint pen;  
 FIG. 16 is a rear perspective view of the stylus shown in FIG. 15;  
 FIG. 17 is a front view of the stylus shown in FIG. 15;  
 FIG. 18 is a side view of the stylus shown in FIG. 15, the opposite side of the side shown in FIG. 18 being a mirror image thereof and therefore not shown;  
 FIG. 19 is a rear view of the stylus shown in FIG. 15;  
 FIG. 20 is a top view of the stylus shown in FIG. 15;  
 FIG. 21 is a bottom view of the stylus shown in FIG. 15;  
 FIG. 22 is a front perspective view of the stylus shown in FIG. 15 with the cap removed;  
 FIG. 23 is a rear perspective view of the stylus shown in FIG. 22;  
 FIG. 24 is a front view of the stylus shown in FIG. 22;

(Continued)

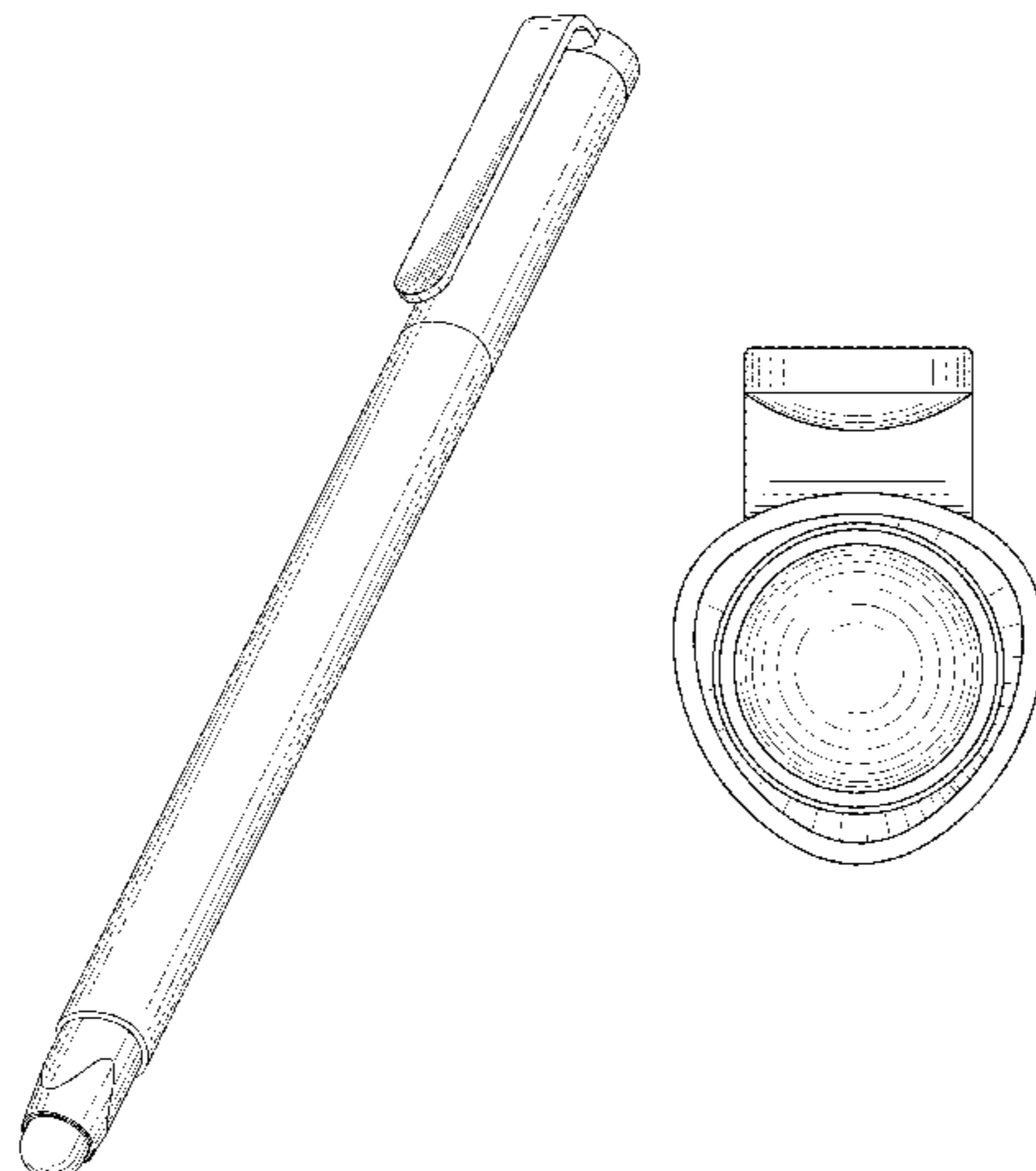


FIG. 25 is a side view of the stylus shown in FIG. 22, the opposite side of the side shown in FIG. 25 being a mirror image thereof and therefore not shown;

FIG. 26 is a rear view of the stylus shown in FIG. 22;

FIG. 27 is a top view of the stylus shown in FIG. 22; and,

FIG. 28 is a bottom view of the stylus shown in FIG. 22.

The broken lines in the drawings show portions of the stylus which form no part of the claimed design. while the solid lines in the drawings form part of the claimed design, the solid lines also provide written description of prospective embodiments with aspects that are not claimed when one or more of the solid lines are amended to broken lines.

**1 Claim, 16 Drawing Sheets**

(58) **Field of Classification Search**

USPC ..... 351/153, 144; 345/7-9, 905; 455/344;  
348/115, 53, 121, 739

CPC ..... G02B 27/017; G06F 3/016; G06F 3/033;  
G06F 3/0317; G06F 3/03545; G06F  
3/041; G06K 9/222

See application file for complete search history.

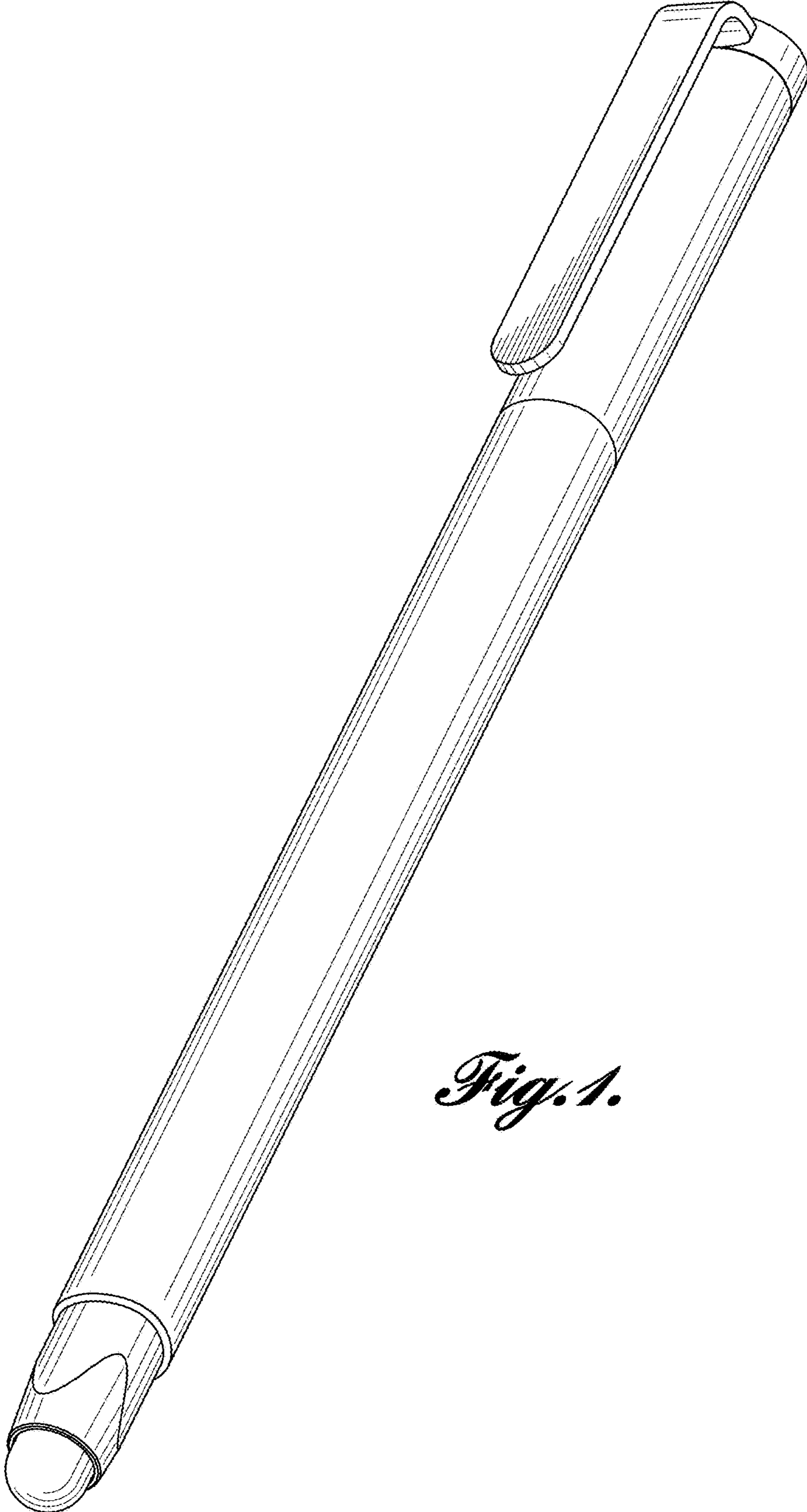
(56)

**References Cited**

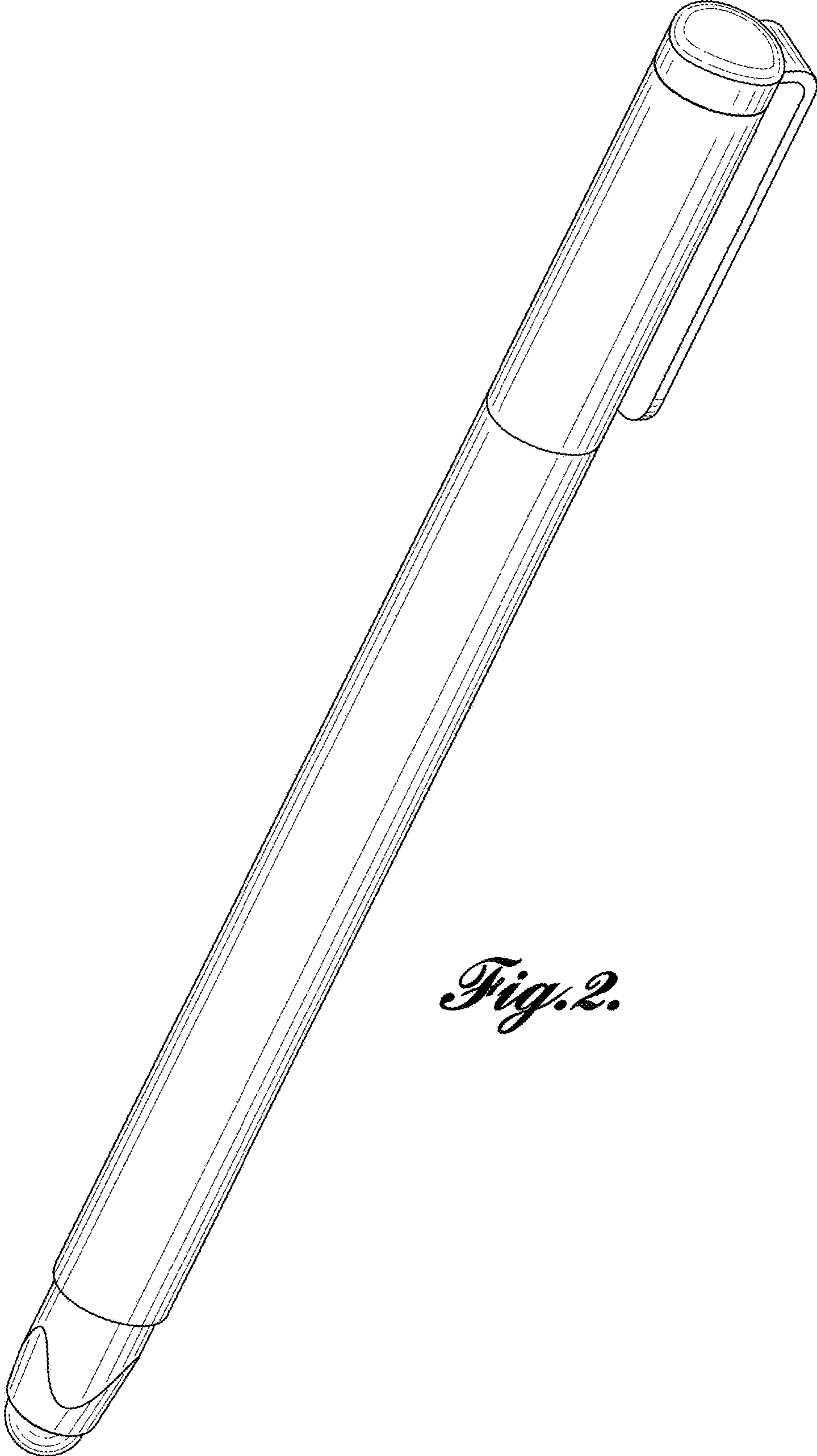
U.S. PATENT DOCUMENTS

|              |         |                 |         |
|--------------|---------|-----------------|---------|
| D669,896 S   | 10/2012 | Nakata          |         |
| D669,897 S   | 10/2012 | Nakata          |         |
| D669,898 S   | 10/2012 | Nakata          |         |
| D670,289 S * | 11/2012 | Bae .....       | D14/411 |
| D708,616 S * | 7/2014  | Nakata .....    | D14/411 |
| D708,617 S * | 7/2014  | Nakata .....    | D14/411 |
| D717,303 S * | 11/2014 | Huang .....     | D14/411 |
| D725,112 S * | 3/2015  | Bo .....        | D14/411 |
| D754,661 S * | 4/2016  | Nishizawa ..... | D14/411 |
| D768,133 S * | 10/2016 | Reed .....      | D14/411 |
| D777,726 S * | 1/2017  | Nishizawa ..... | D14/411 |
| D781,293 S * | 3/2017  | Mitchell .....  | D14/411 |
| D783,022 S * | 4/2017  | Sirota .....    | D14/411 |
| D784,991 S * | 4/2017  | Chang .....     | D14/411 |
| D786,871 S * | 5/2017  | Park .....      | D14/411 |

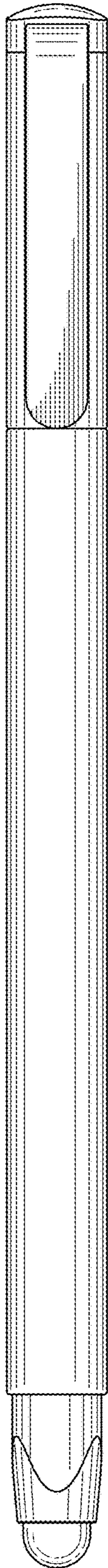
\* cited by examiner



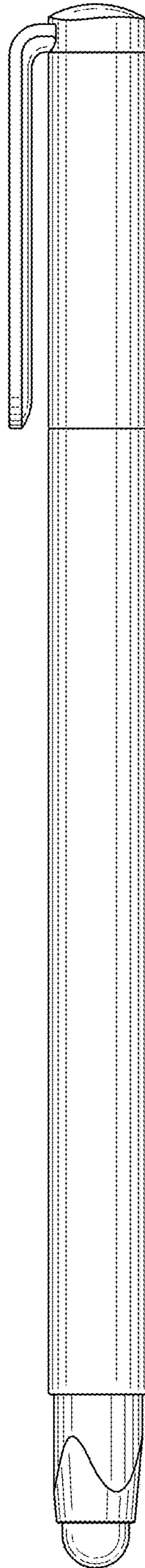
*Fig. 1.*



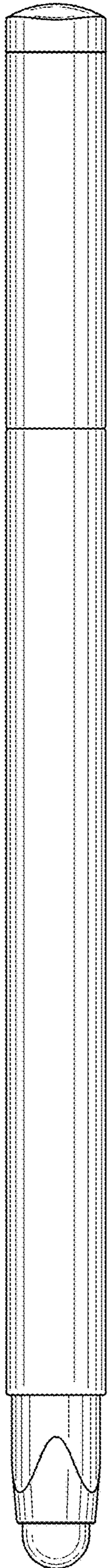
*Fig. 2.*



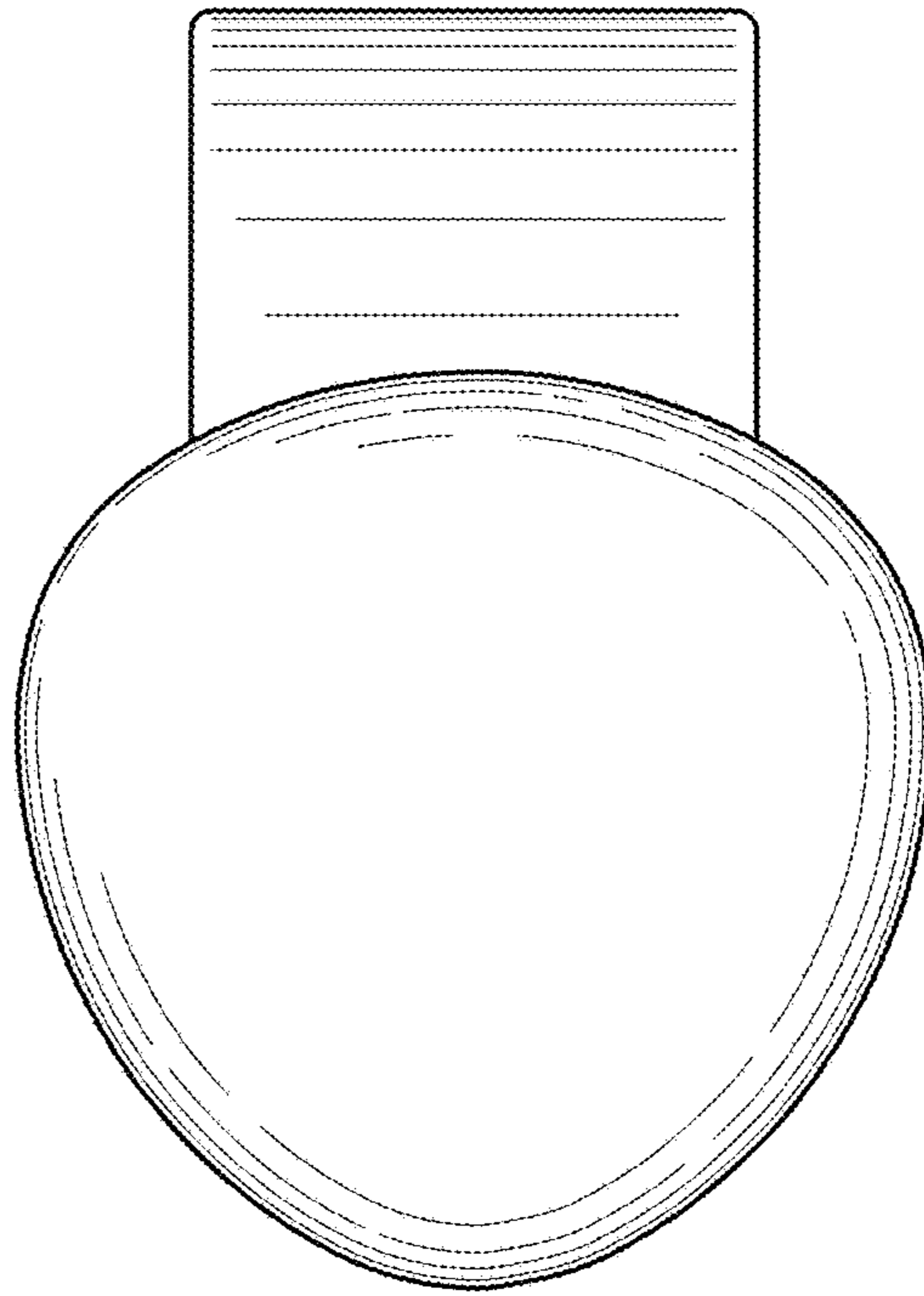
*Fig. 3.*



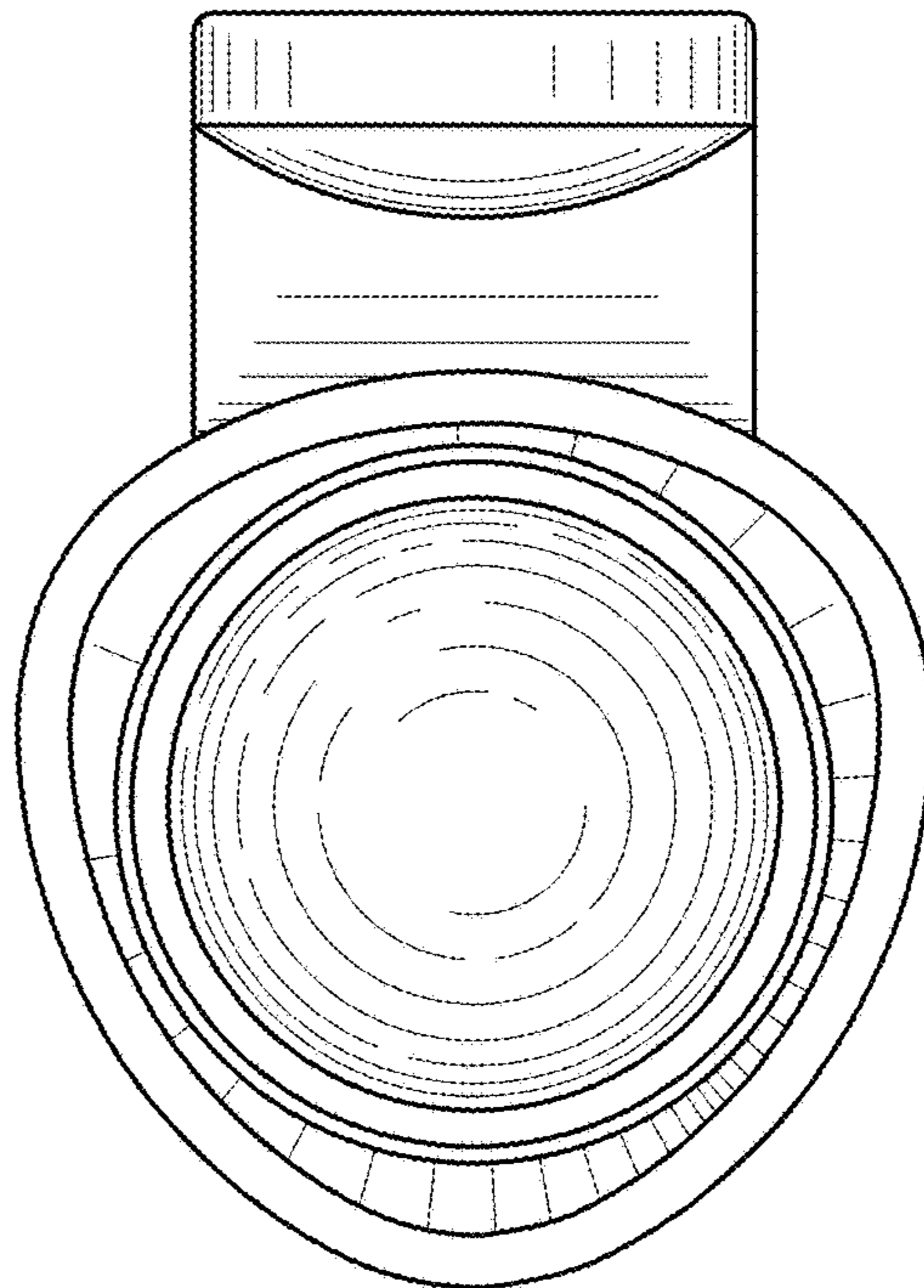
*Fig. 4.*



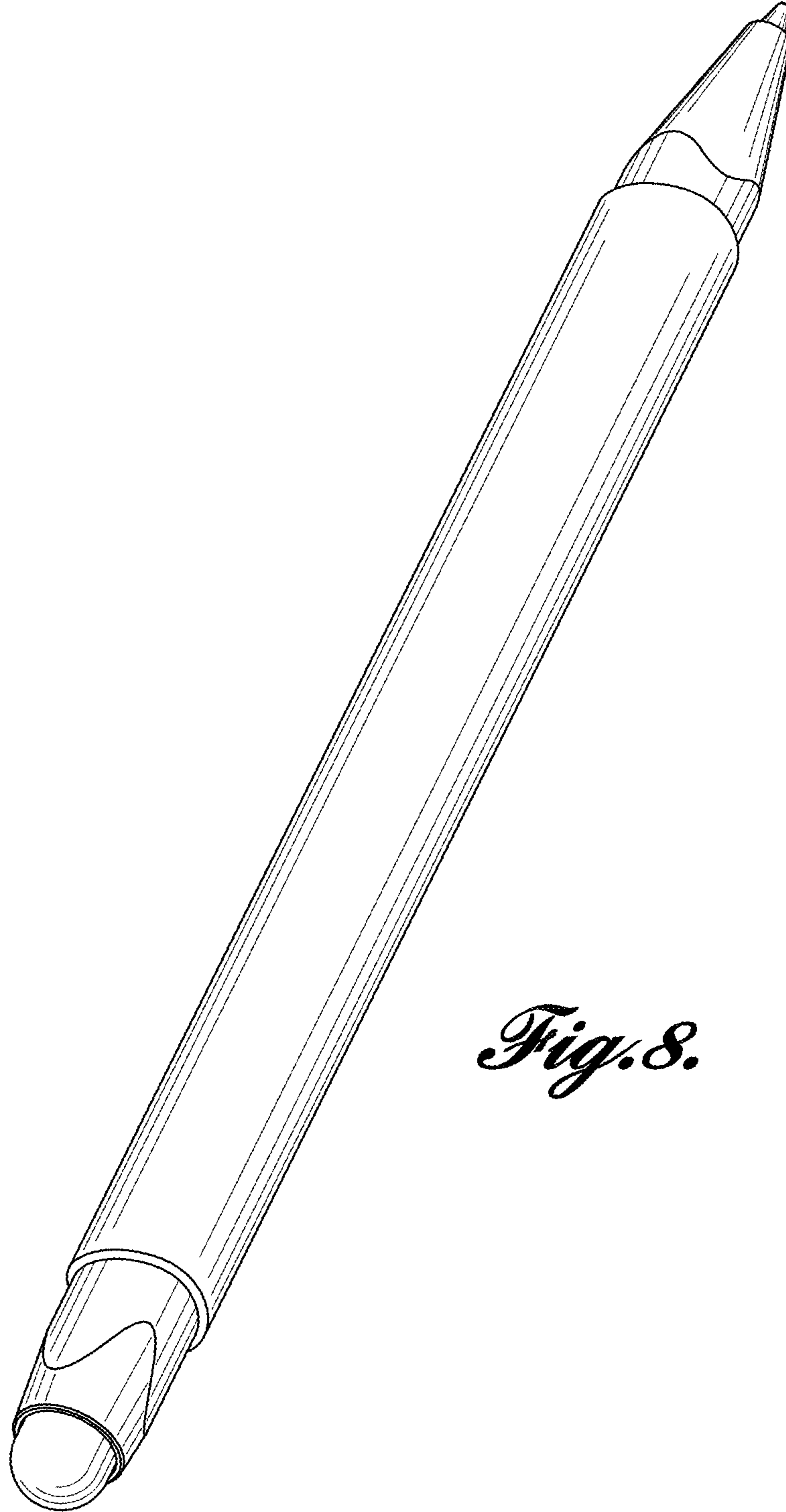
*Fig. 5.*



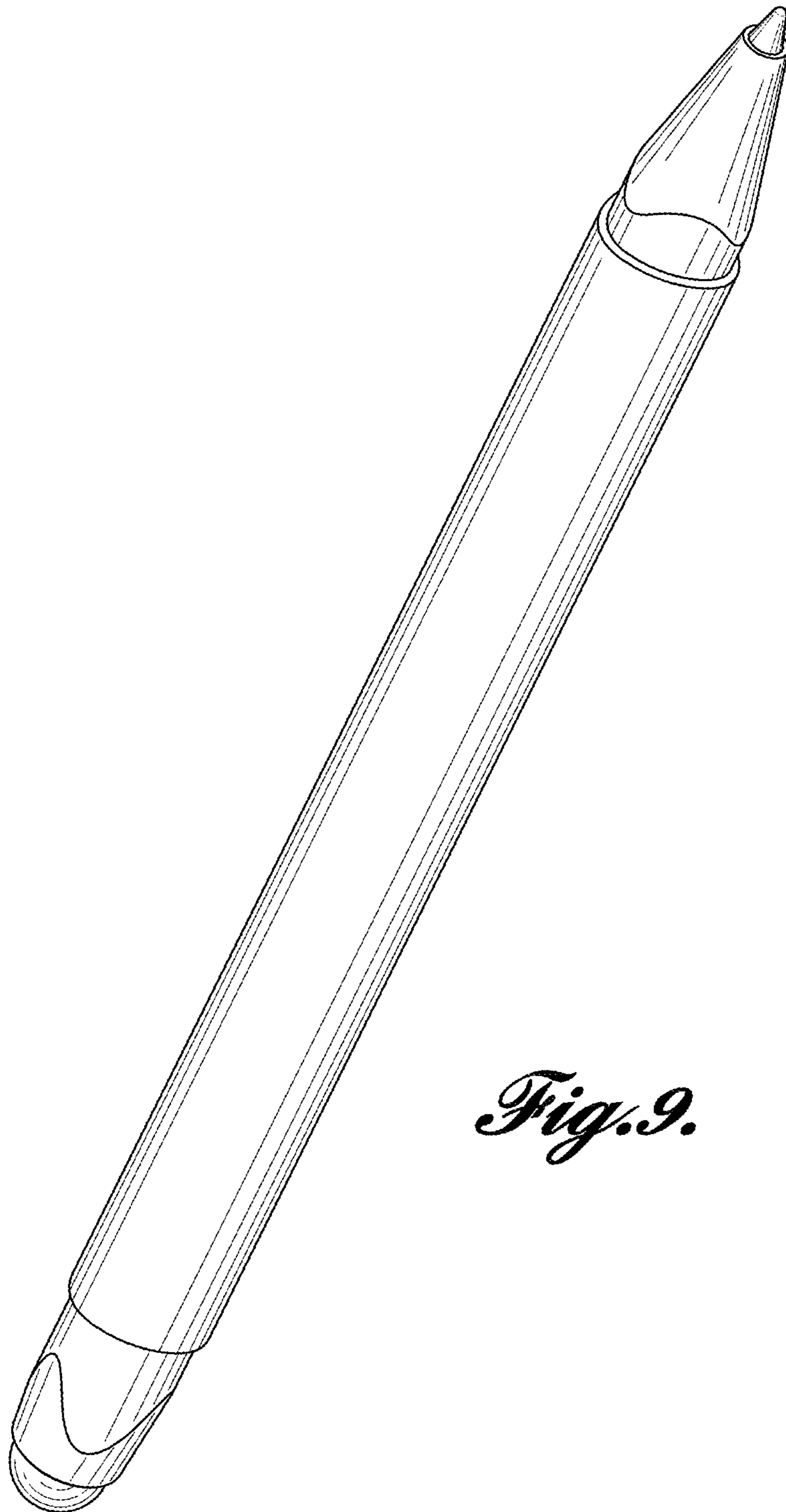
*Fig. 6.*



*Fig. 7.*

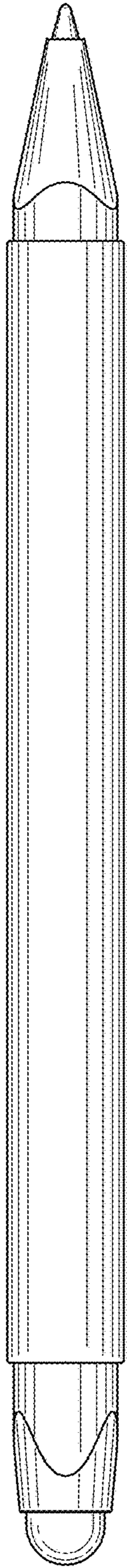


*Fig. 8.*

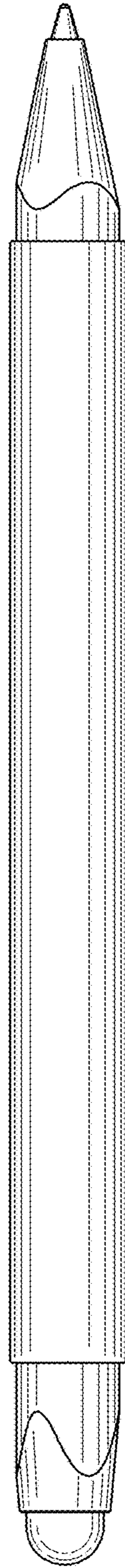


*Fig. 9.*

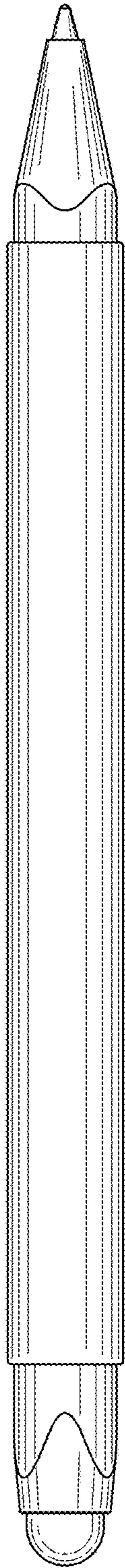




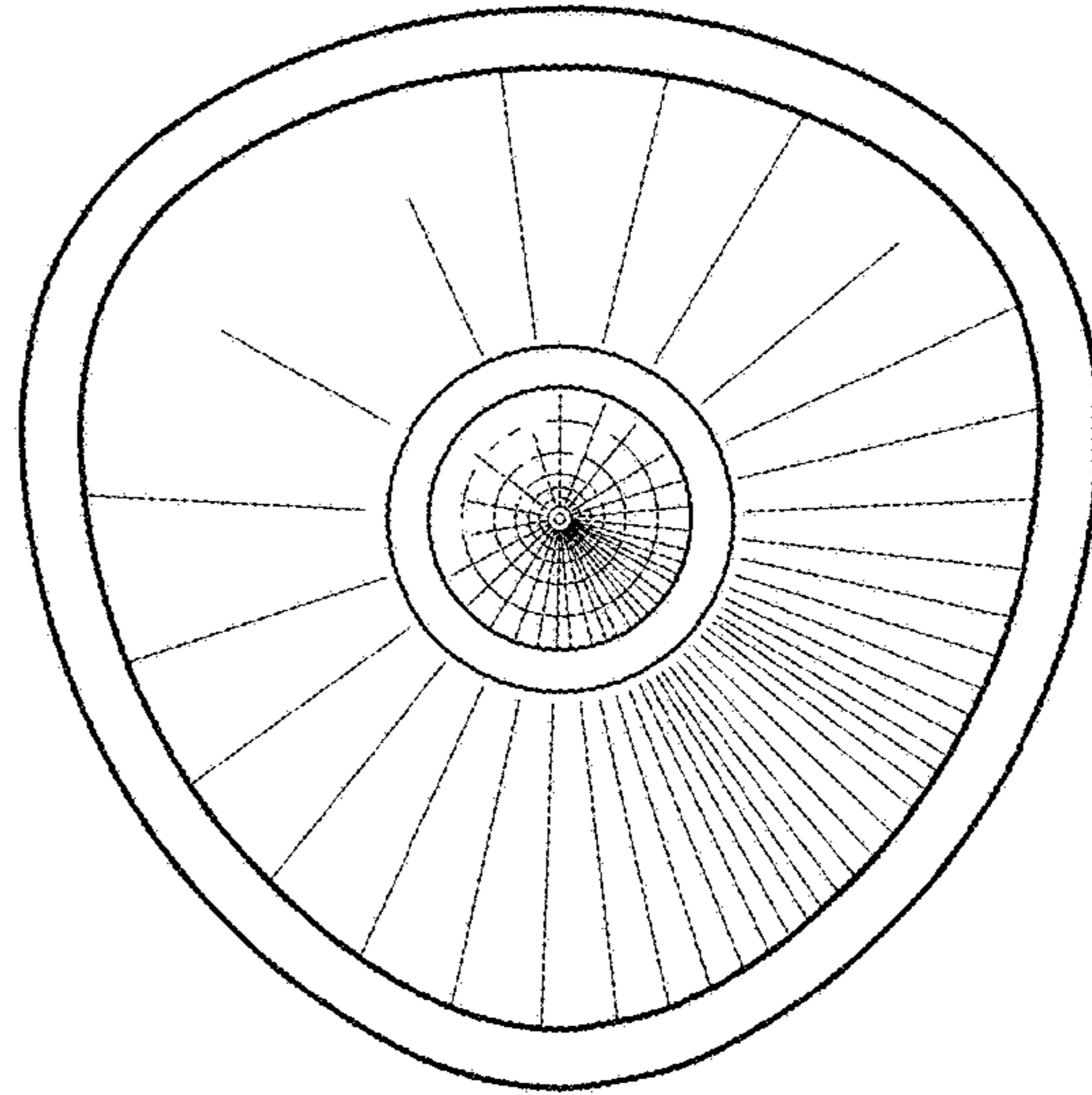
*Fig. 10.*



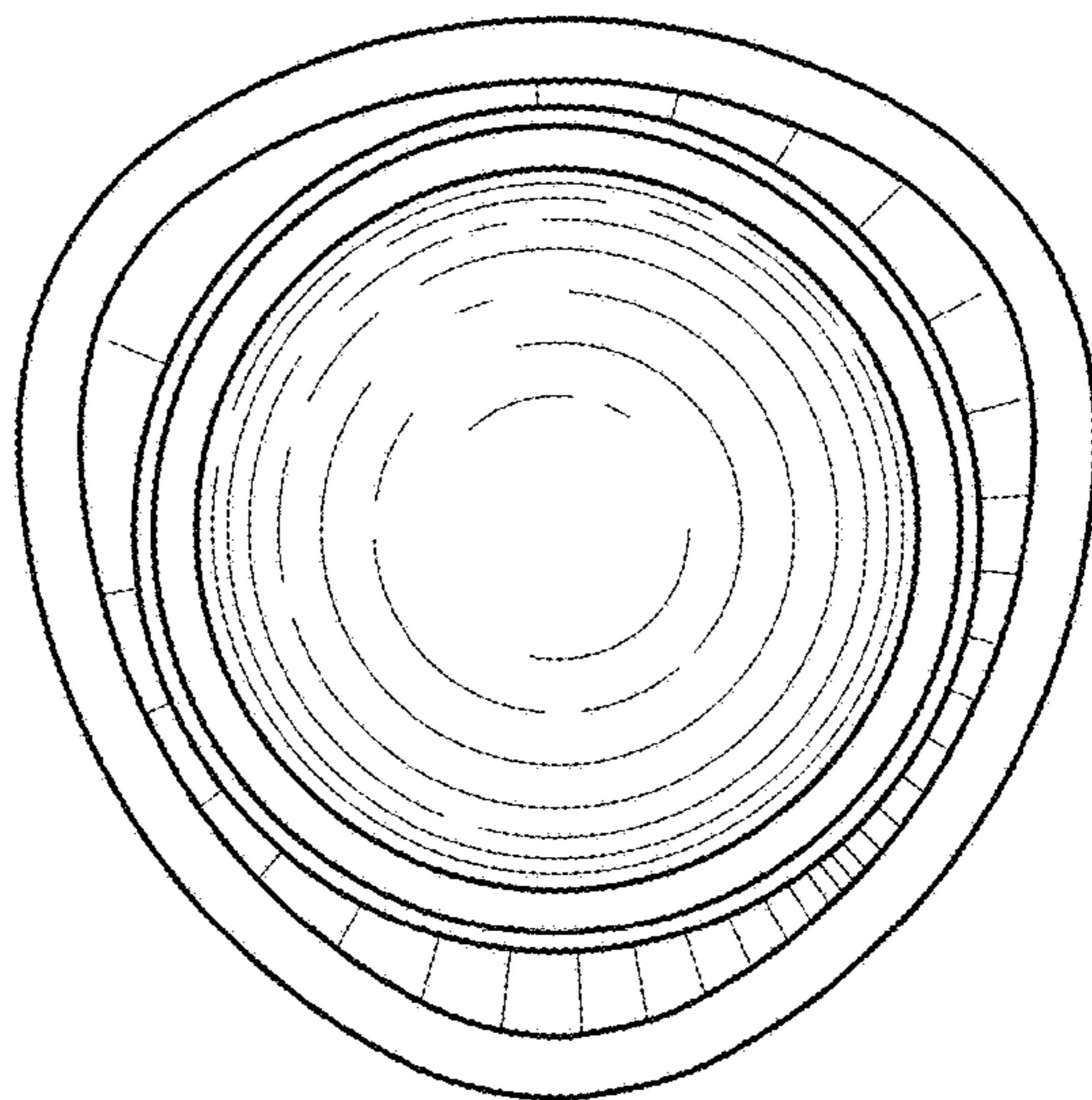
*Fig. 11.*



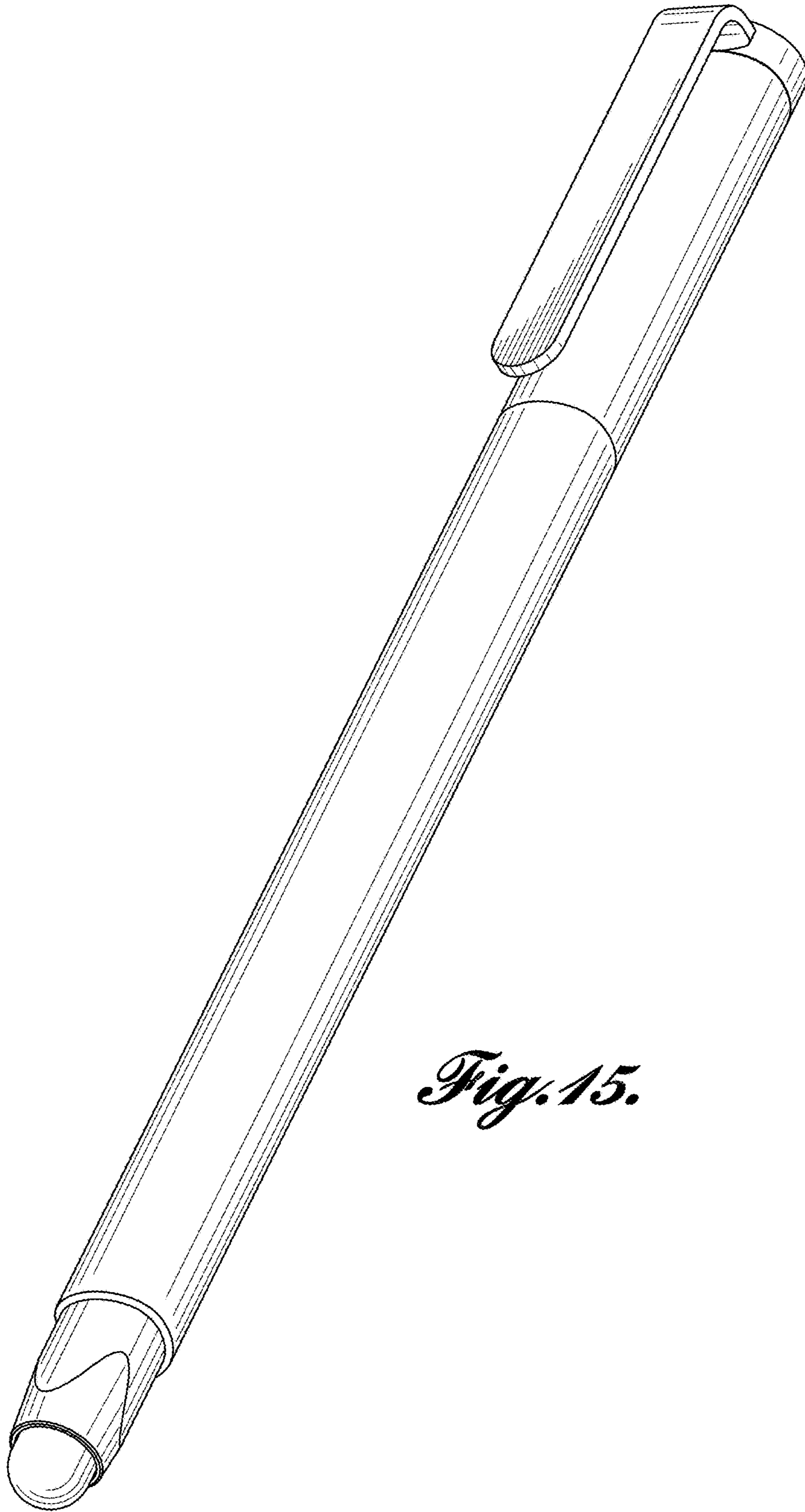
*Fig. 12.*



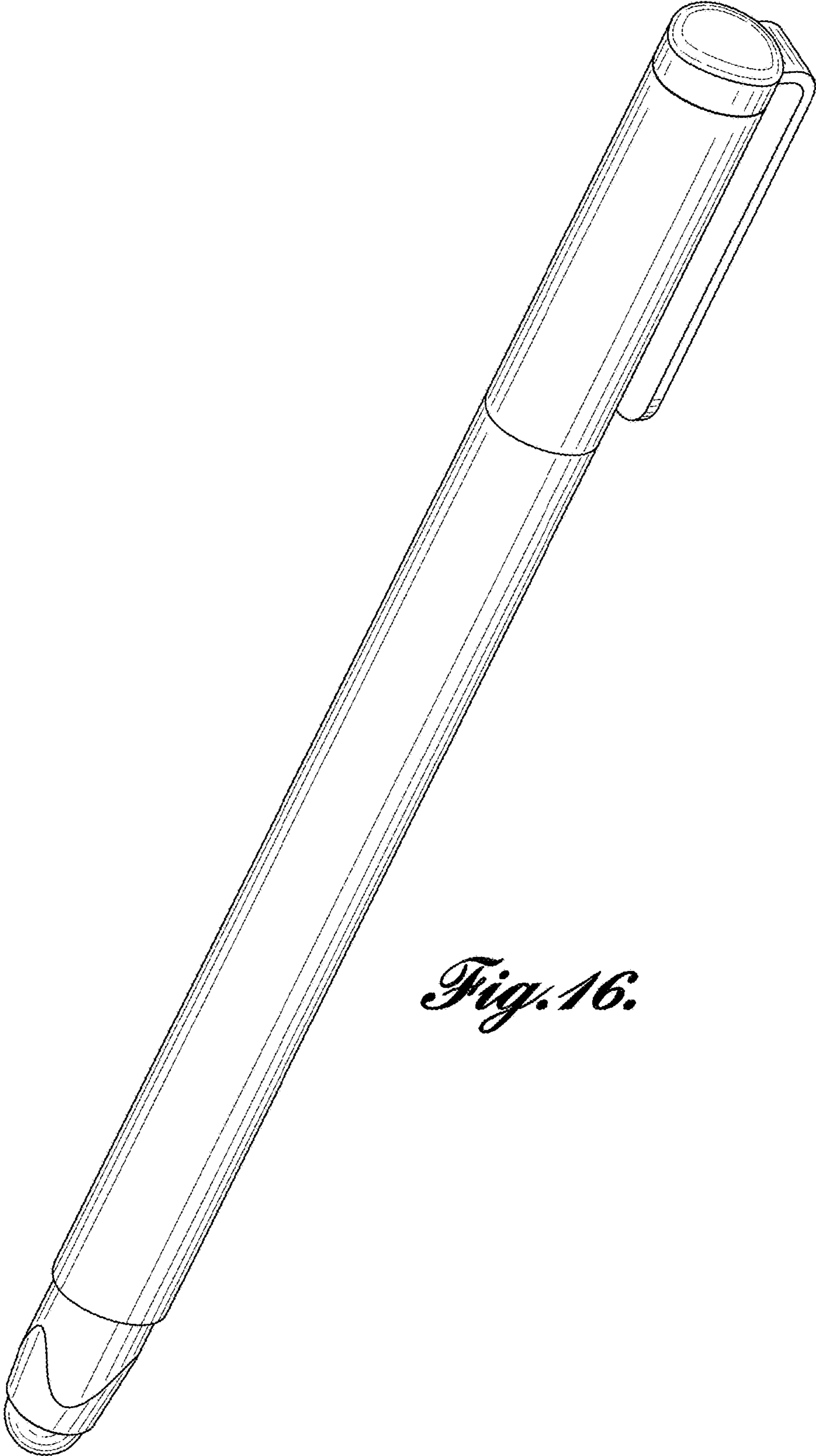
*Fig. 13.*



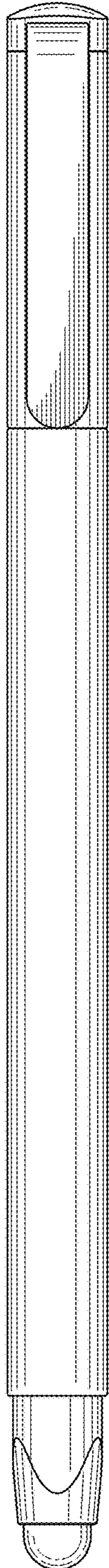
*Fig. 14.*



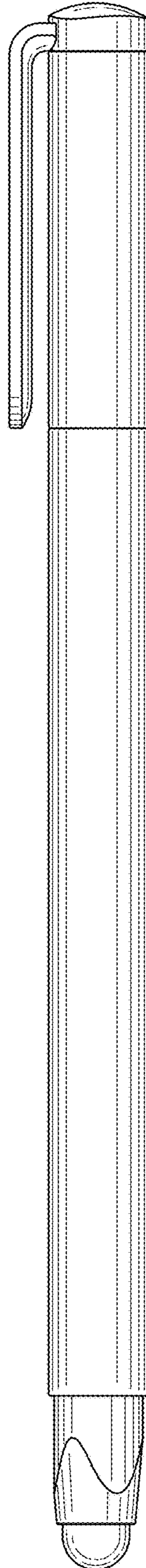
*Fig. 15.*



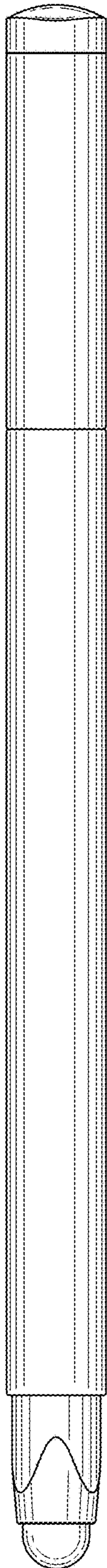
*Fig. 16.*



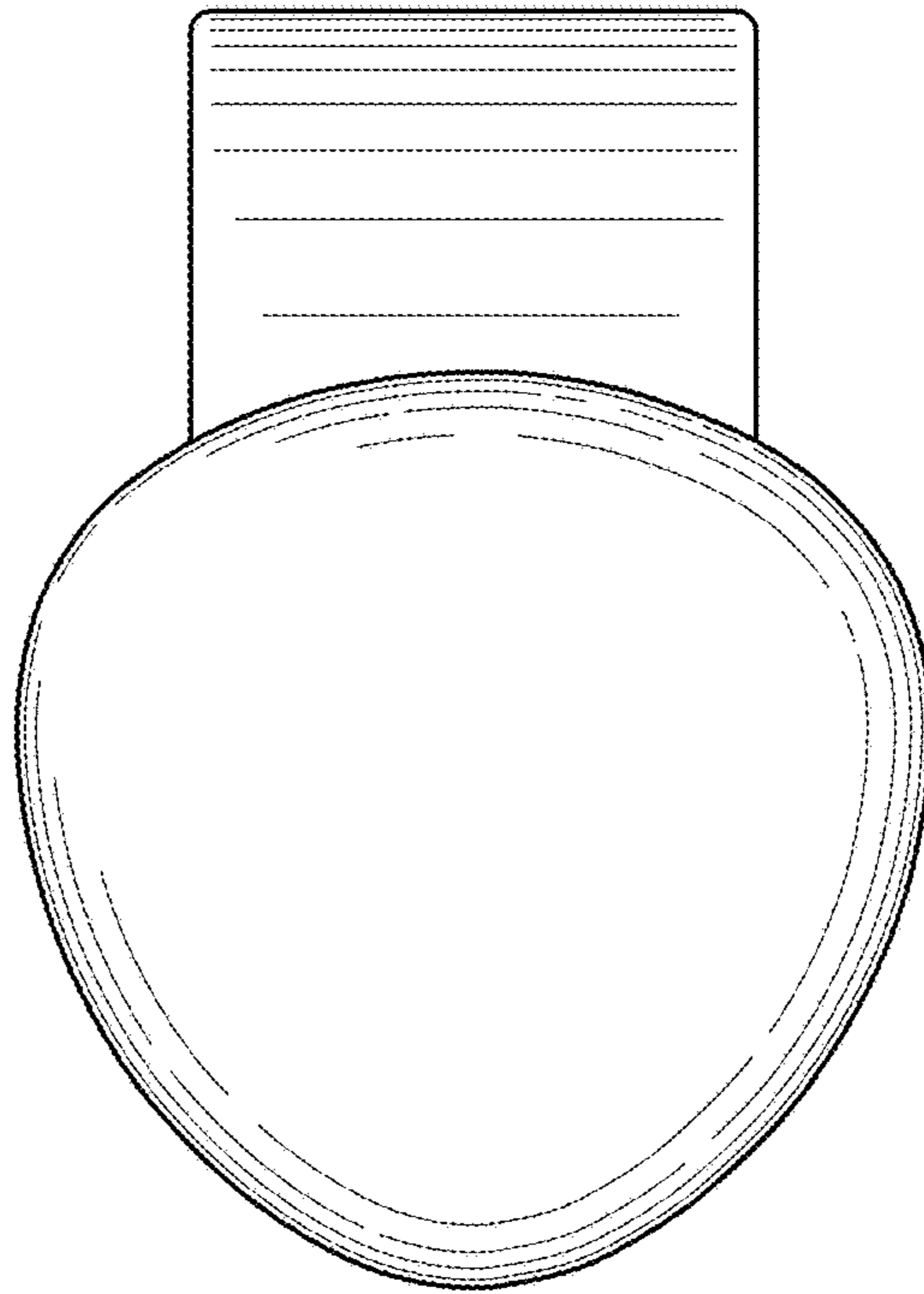
*Fig. 17.*



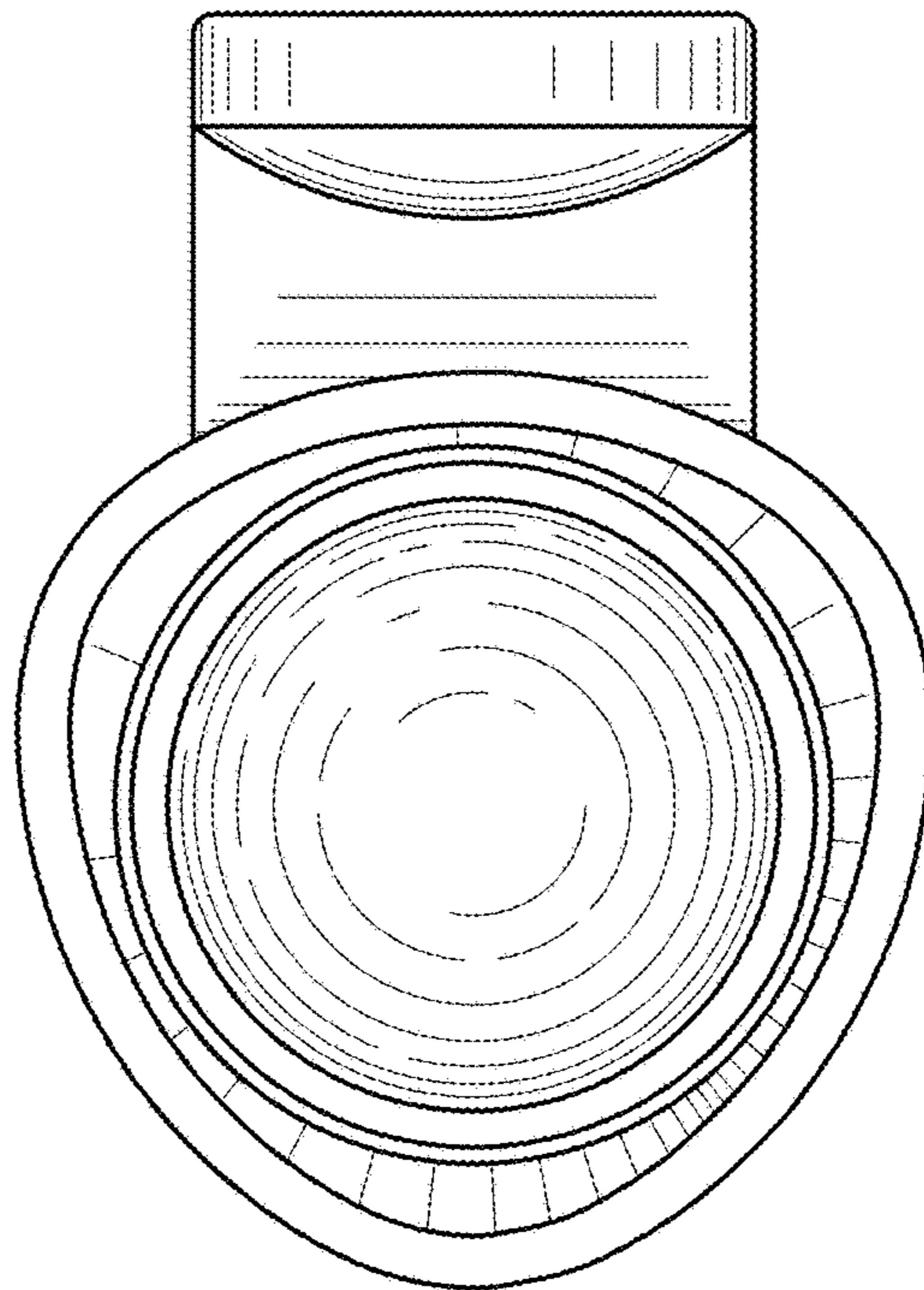
*Fig. 18.*



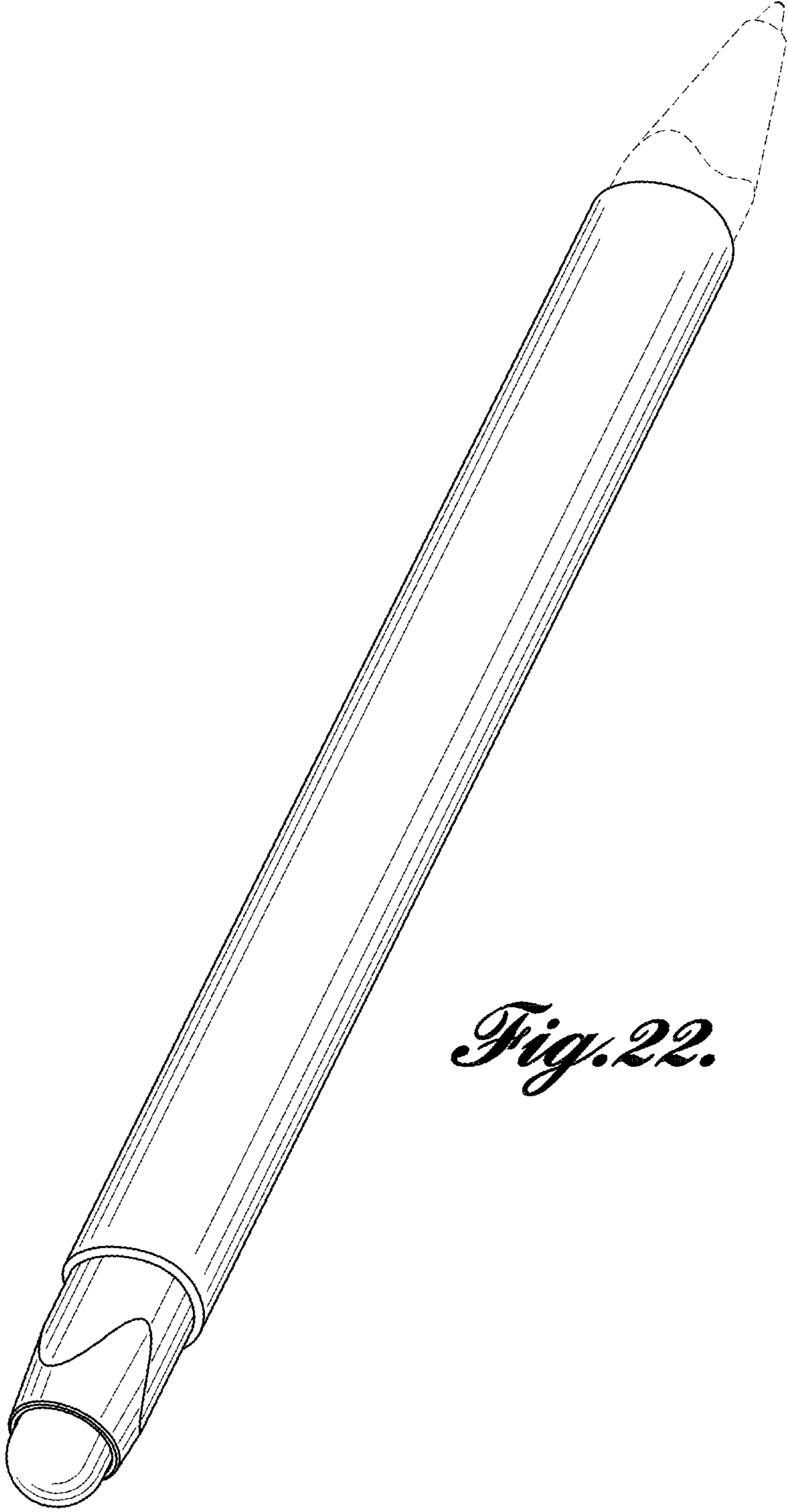
*Fig. 19.*



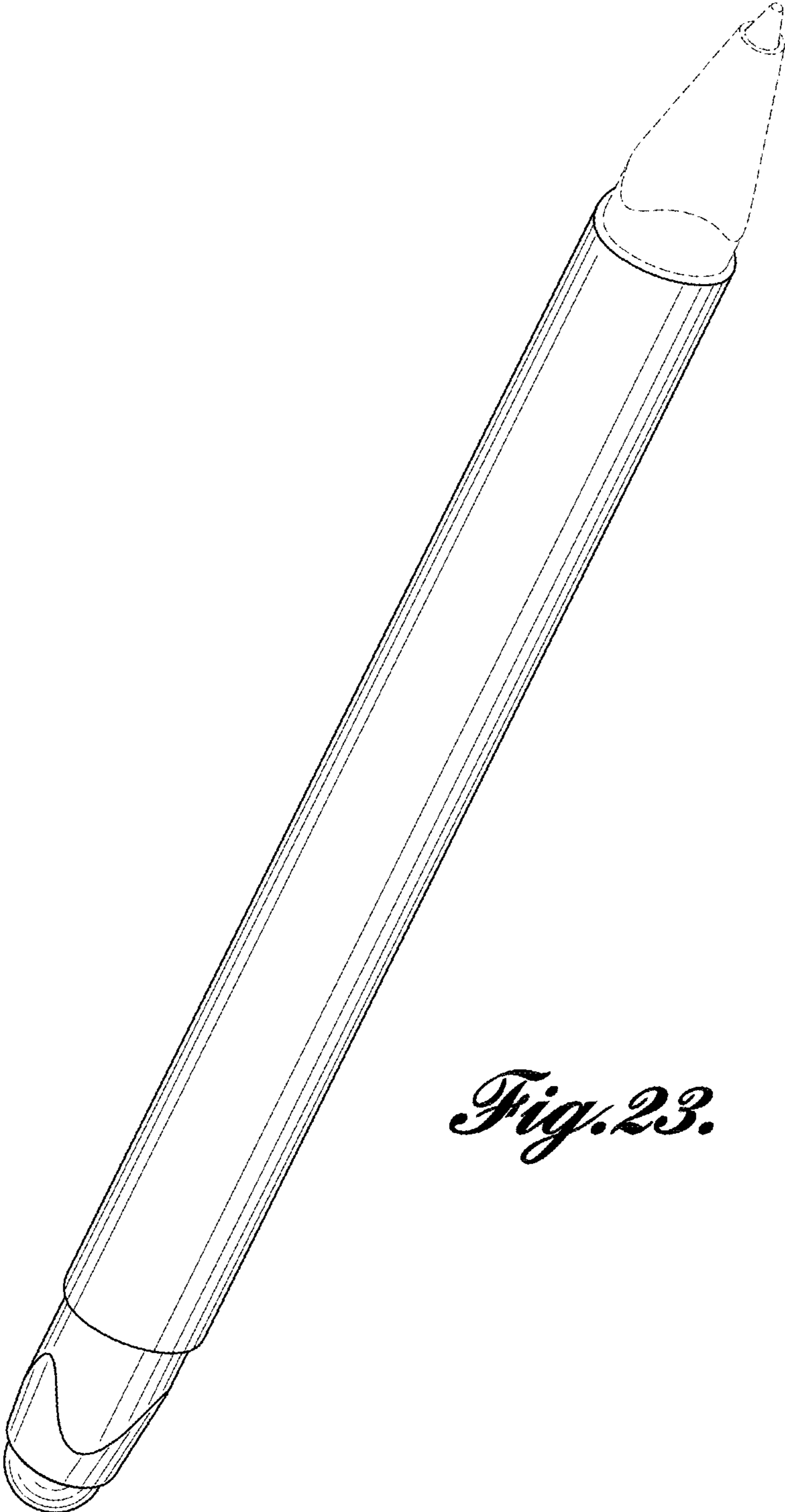
*Fig. 20.*



*Fig. 21.*

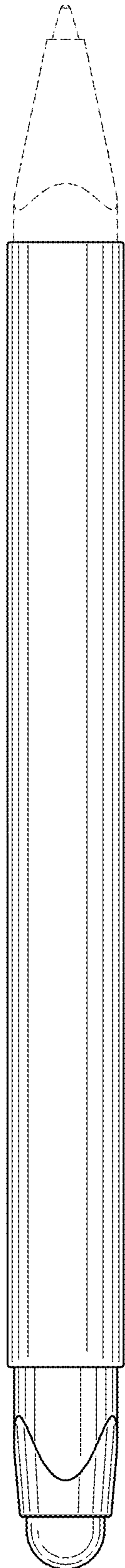


*Fig. 22.*

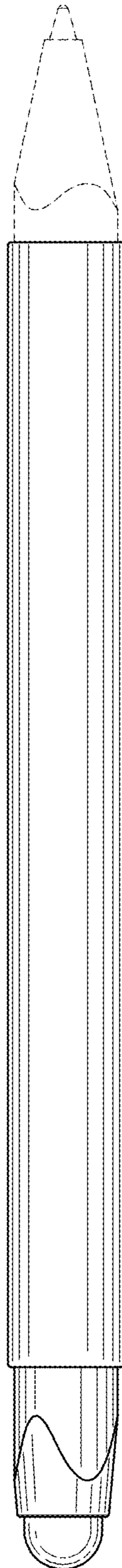


*Fig. 23.*

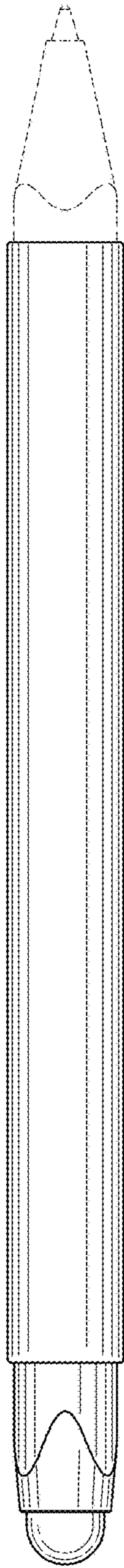




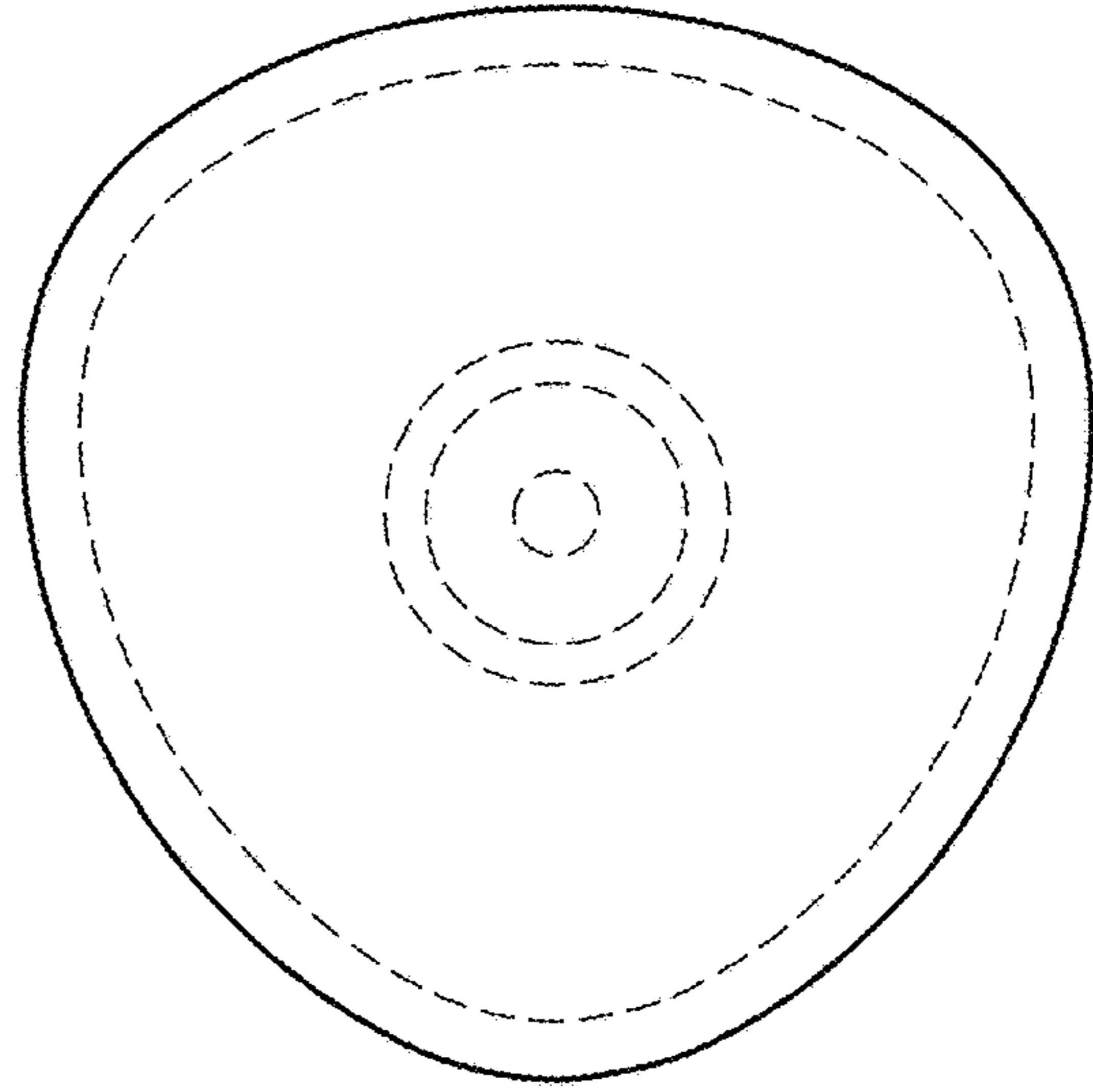
*Fig. 24.*



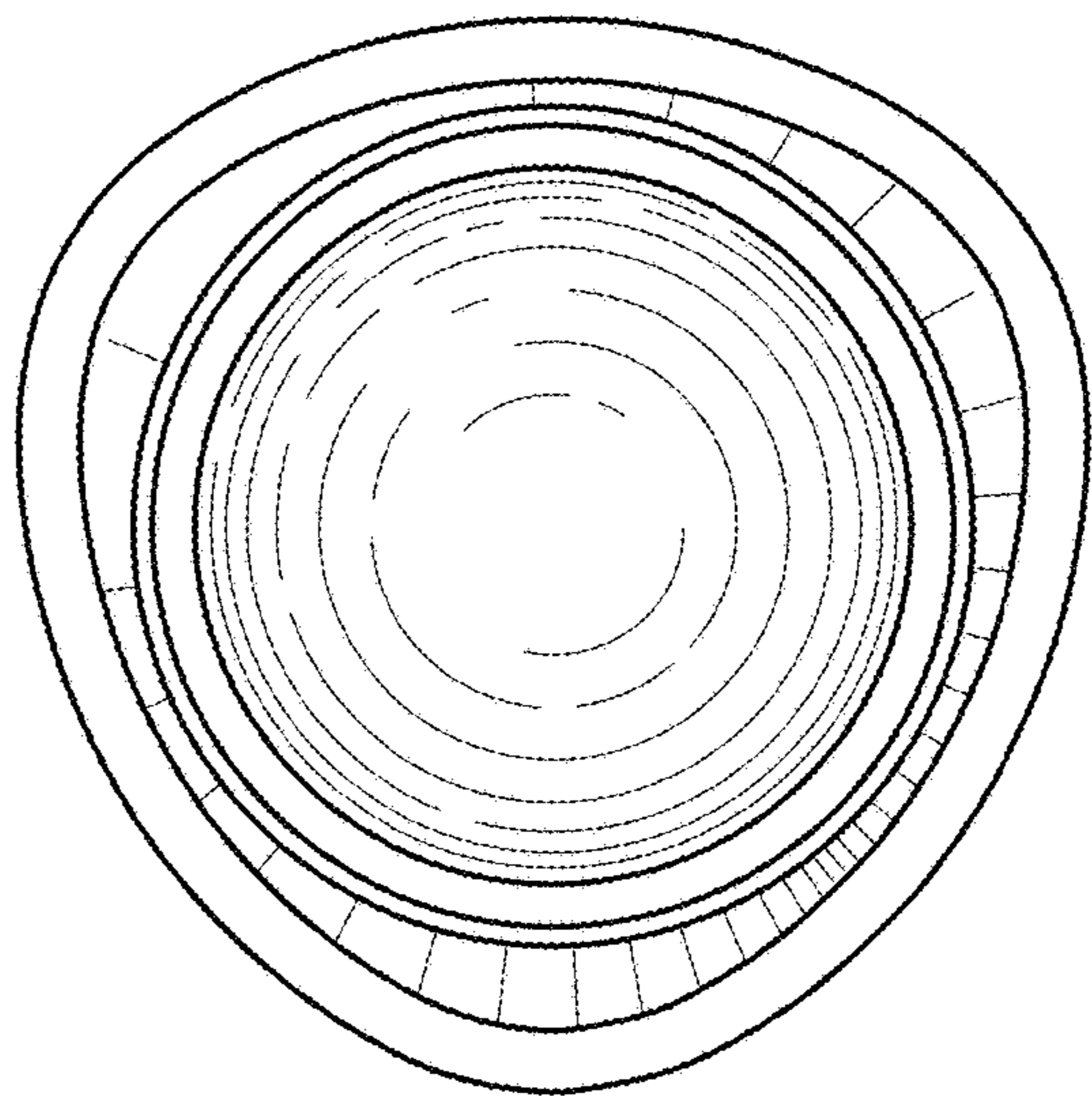
*Fig. 25.*



*Fig. 26.*



*Fig. 27.*



*Fig. 28.*

UNITED STATES PATENT AND TRADEMARK OFFICE  
**CERTIFICATE OF CORRECTION**

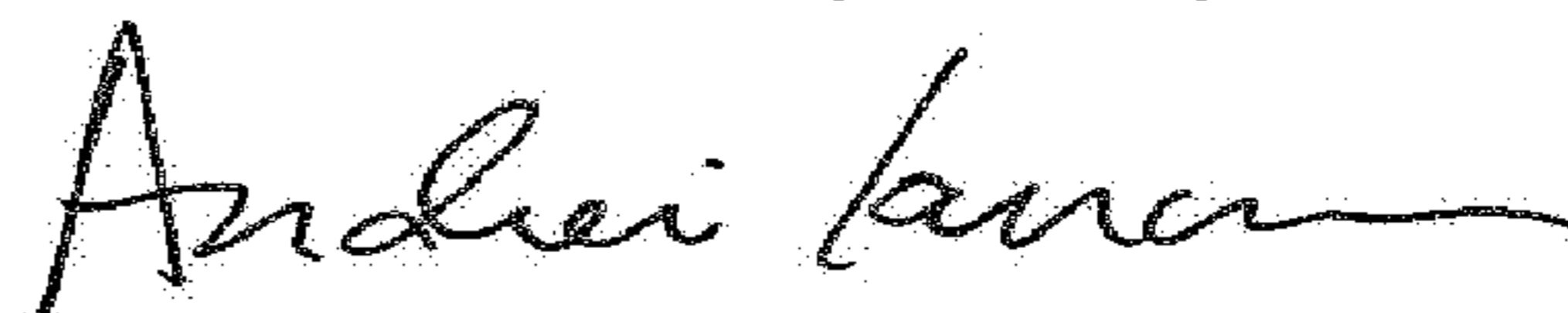
PATENT NO. : D812,059 S  
APPLICATION NO. : 29/594479  
DATED : March 6, 2018  
INVENTOR(S) : S. Lehman et al.

Page 1 of 1

It is certified that error appears in the above-identified patent and that said Letters Patent is hereby corrected as shown below:

|                  |             |                                     |
|------------------|-------------|-------------------------------------|
| Page 2, Column 1 | Description | “while the solid lines” should read |
|                  | Line 8      | --While the solid lines--           |

Signed and Sealed this  
Seventeenth Day of July, 2018



Andrei Iancu  
*Director of the United States Patent and Trademark Office*