



US00D812058S

(12) **United States Design Patent**  
**Lehman et al.**

(10) **Patent No.:** **US D812,058 S**  
(45) **Date of Patent:** **\*\* Mar. 6, 2018**

(54) **STYLUS**  
(71) Applicant: **Wacom Co., Ltd.**, Kazo-shi, Saitama (JP)  
(72) Inventors: **Scott Lehman**, Marietta, GA (US);  
**Edward I. Stamm, Jr.**, Roswell, GA (US); **Naoya Nishizawa**, Tokyo (JP)  
(73) Assignee: **Wacom Co., Ltd.**, Kazo-shi (JP)

D708,616 S \* 7/2014 Nakata ..... D14/411  
D708,617 S \* 7/2014 Nakata ..... D14/411  
D716,814 S \* 11/2014 Nakata ..... D14/411  
D717,303 S \* 11/2014 Huang ..... D14/411  
D725,112 S \* 3/2015 Bo ..... D14/411  
D754,661 S \* 4/2016 Nishizawa ..... D14/411  
D768,133 S \* 10/2016 Reed ..... D14/411  
D777,726 S \* 1/2017 Nishizawa ..... D14/411  
D781,293 S \* 3/2017 Mitchell ..... D14/411  
D783,022 S \* 4/2017 Sirota ..... D14/411  
D784,991 S \* 4/2017 Chang ..... D14/411  
D786,871 S \* 5/2017 Park ..... D14/411

(\*\*) Term: **15 Years**

**FOREIGN PATENT DOCUMENTS**

(21) Appl. No.: **29/594,478**

CN 302578454 S 9/2013

(22) Filed: **Feb. 17, 2017**

\* cited by examiner

(30) **Foreign Application Priority Data**

Aug. 22, 2016 (JP) ..... 2016-017808

*Primary Examiner* — Austin Murphy

(74) *Attorney, Agent, or Firm* — Christensen O'Connor Johnson Kindness PLLC

(51) **LOC (11) Cl.** ..... **14-02**

(52) **U.S. Cl.**  
USPC ..... **D14/411**

(57) **CLAIM**

The ornamental design for a stylus, as shown and described.

(58) **Field of Classification Search**  
USPC ..... D14/372, 496, 432, 371, 125, 126, 129,  
D14/299, 411; D16/300-342; 351/158,  
351/153, 144; 345/7-9, 905; 455/344;  
348/115, 53, 121, 739  
CPC ..... G02B 27/017; G06F 3/016; G06F 3/033;  
G06F 3/0317; G06F 3/03545; G06F  
3/041; G06K 9/222  
See application file for complete search history.

**DESCRIPTION**

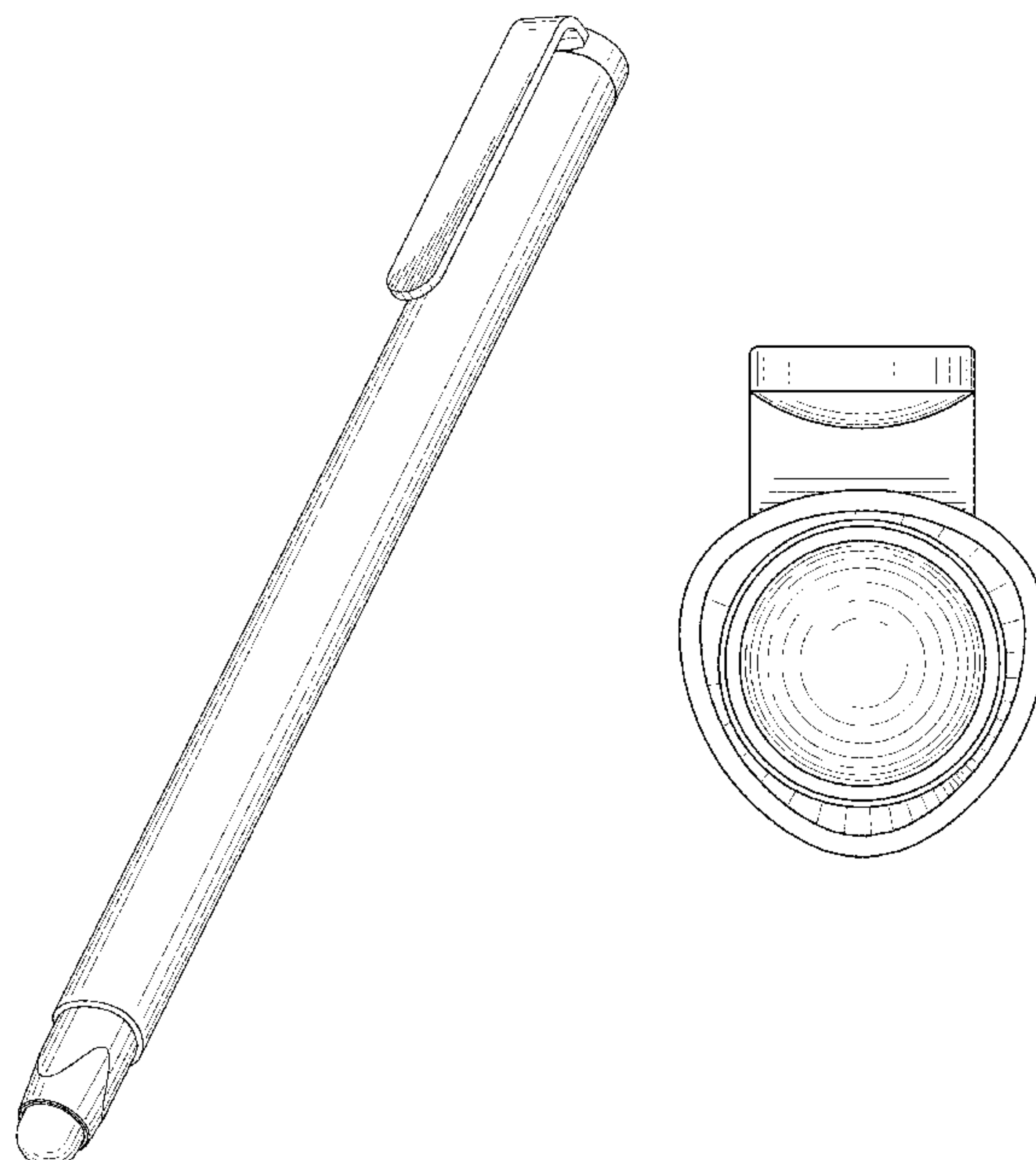
FIG. 1 is a front perspective view of a stylus according to a representative embodiment of our new design;  
FIG. 2 is a rear perspective view of the stylus shown in FIG. 1;  
FIG. 3 is a front view of the stylus shown in FIG. 1;  
FIG. 4 is a side view of the stylus shown in FIG. 1, the opposite side of the side shown in FIG. 4 being a mirror image thereof and therefore not shown;  
FIG. 5 is a rear view of the stylus shown in FIG. 1;  
FIG. 6 is a top view of the stylus shown in FIG. 1; and,  
FIG. 7 is a bottom view of the stylus shown in FIG. 1.

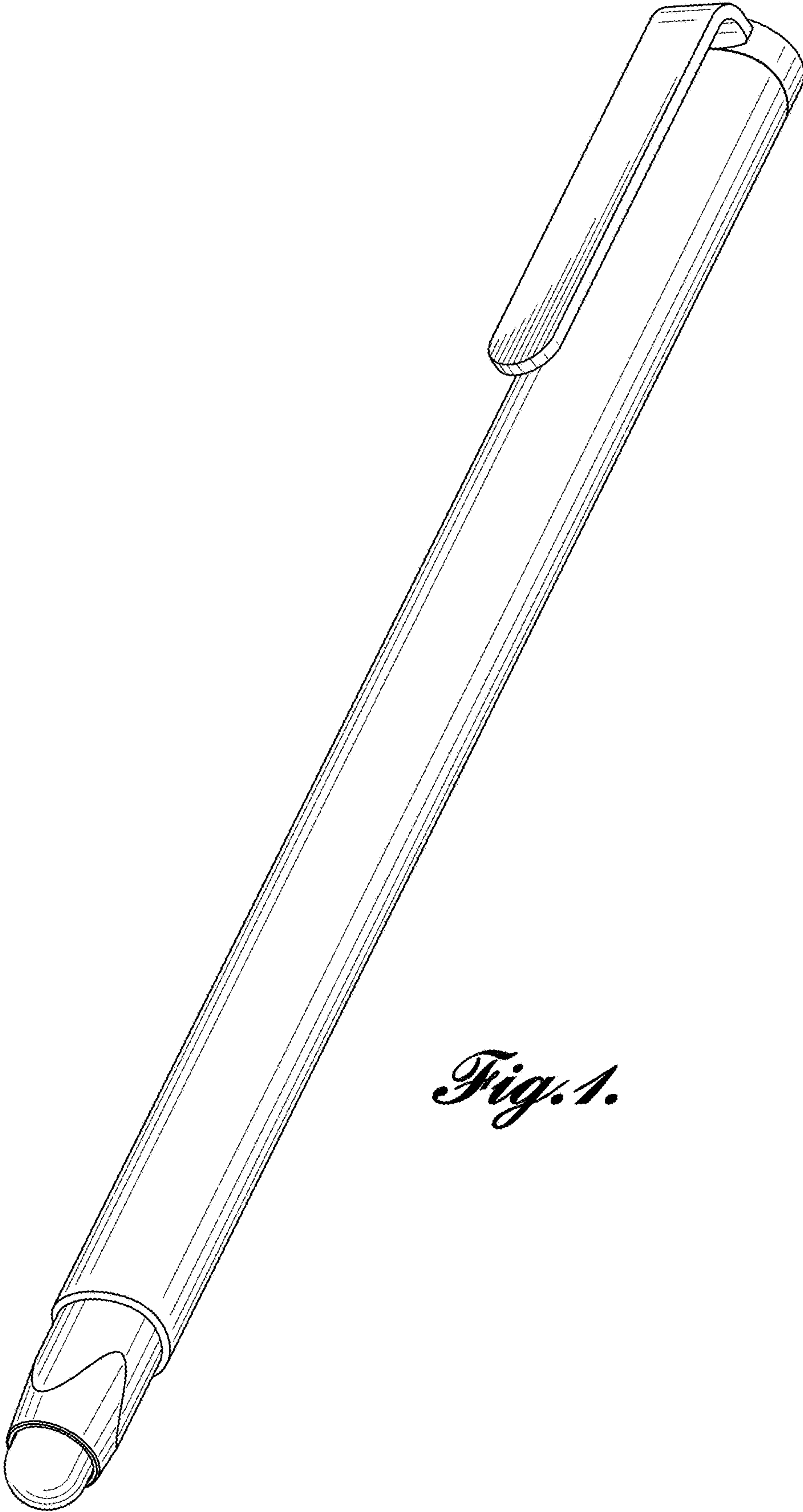
(56) **References Cited**

**U.S. PATENT DOCUMENTS**

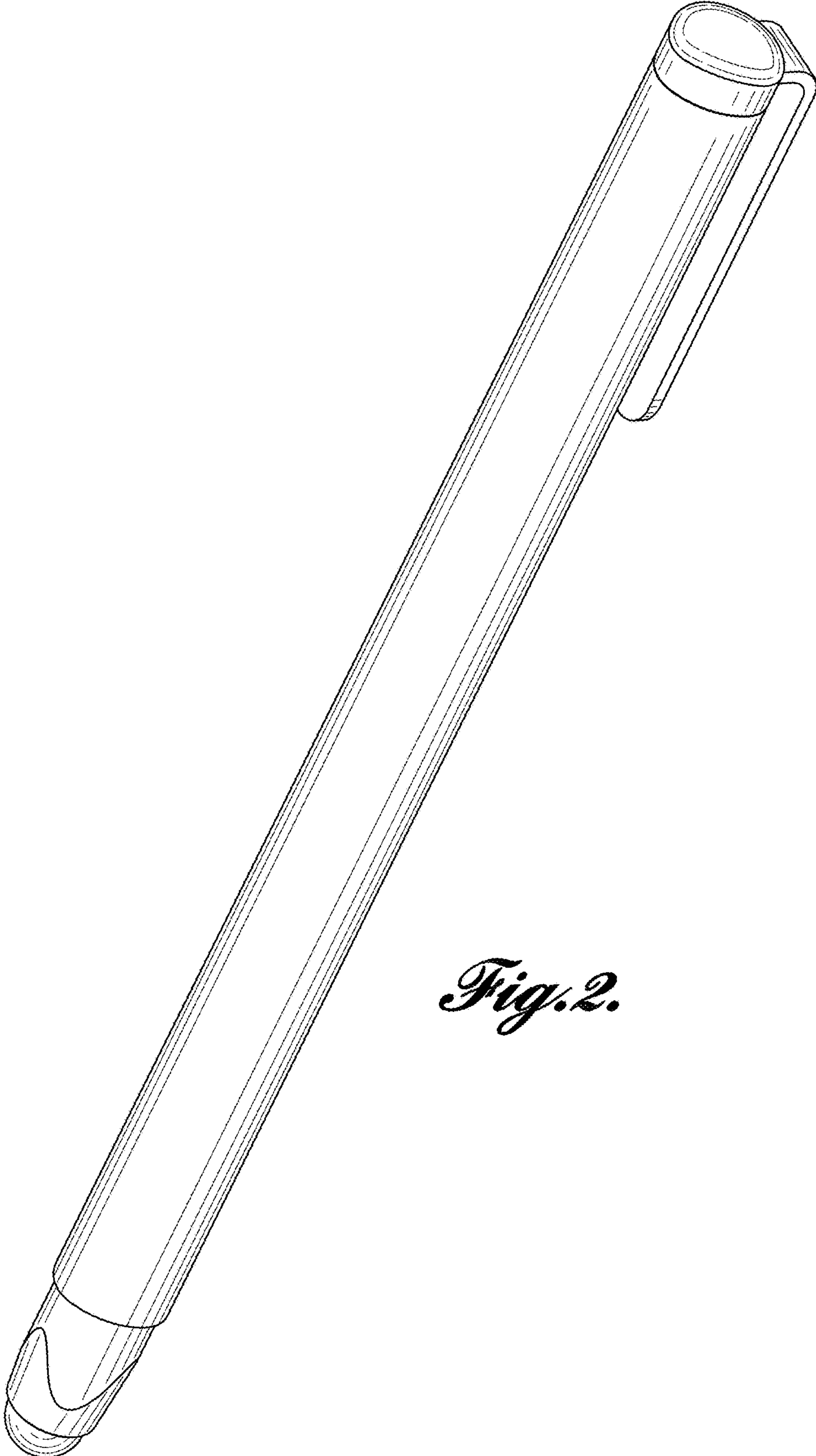
D655,292 S 3/2012 Nakata  
D659,141 S \* 5/2012 Watson ..... D14/411  
D670,289 S \* 11/2012 Bae ..... D14/411

**1 Claim, 4 Drawing Sheets**

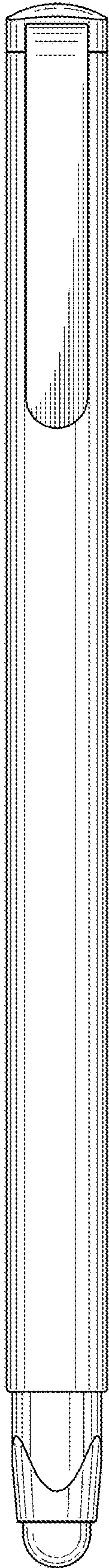




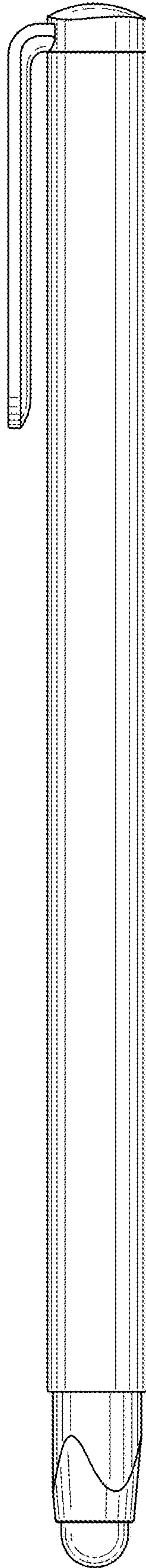
*Fig. 1.*



*Fig. 2.*

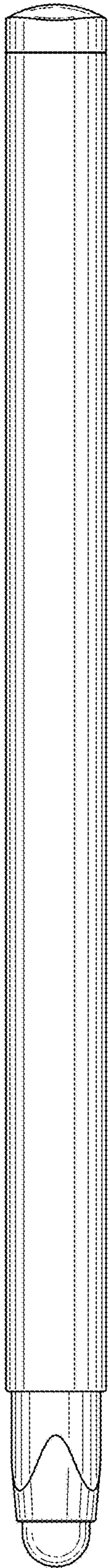


*Fig. 3.*

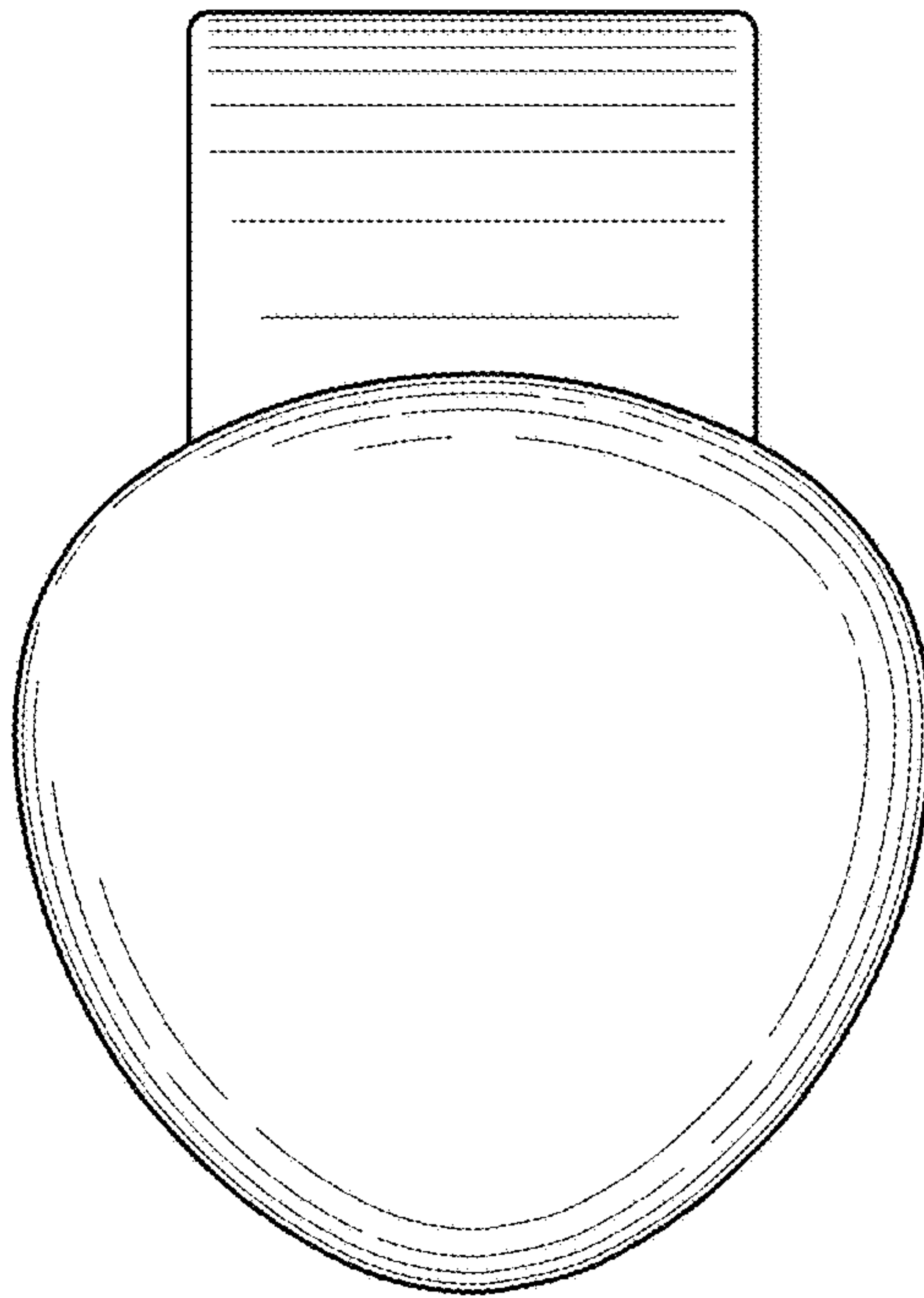


*Fig. 4.*

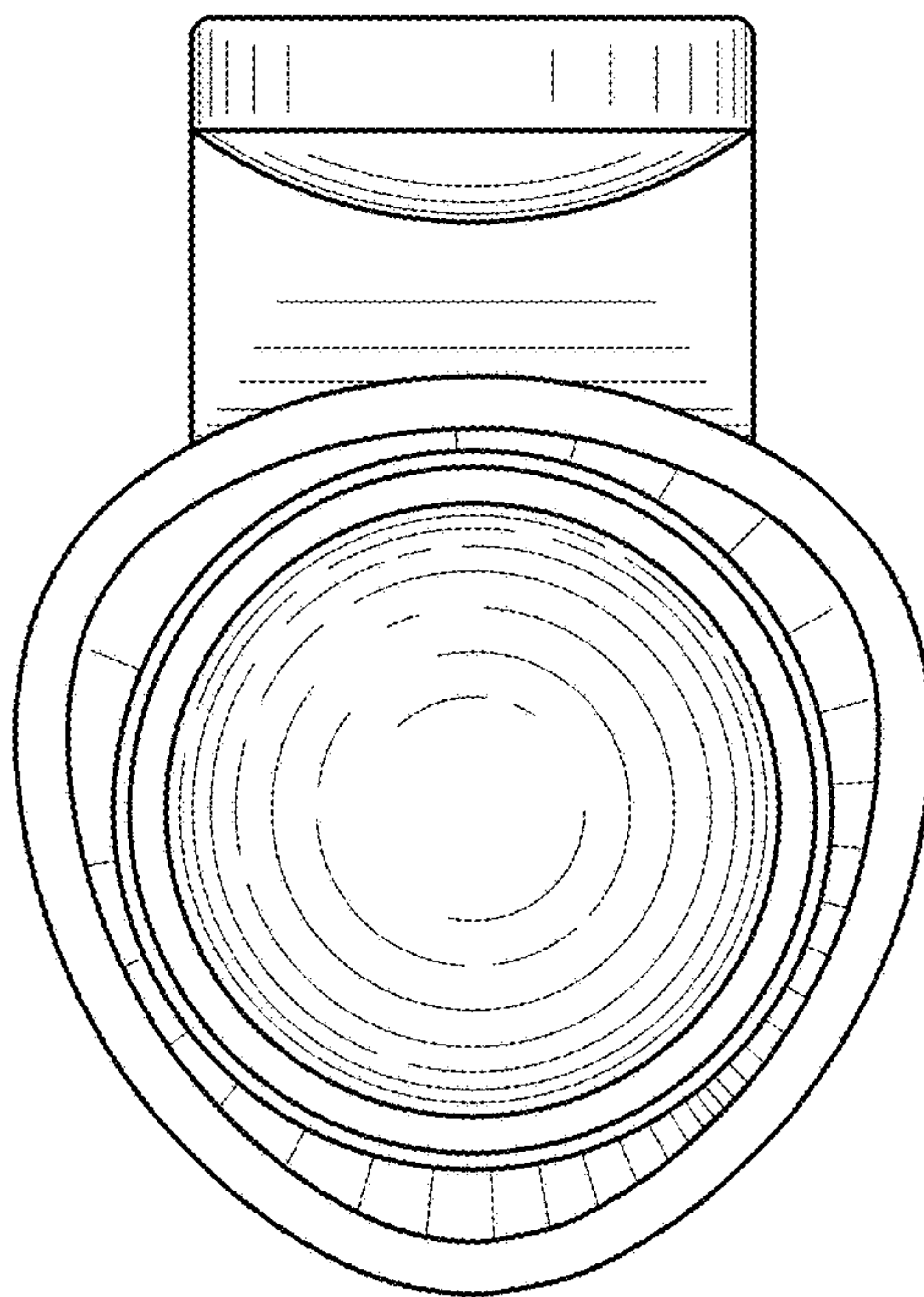




*Fig. 5.*



*Fig. 6.*



*Fig. 7.*