



US00D812057S

(12) **United States Design Patent**
Lehman et al.

(10) **Patent No.:** **US D812,057 S**
(45) **Date of Patent:** **** Mar. 6, 2018**

(54) **ELECTRONIC PEN**
(71) Applicant: **Wacom Co., Ltd.**, Kazo-shi, Saitama (JP)
(72) Inventors: **Scott Lehman**, Marietta, GA (US);
Edward I. Stamm, Jr., Roswell, GA (US); **Naoya Nishizawa**, Tokyo (JP)

D716,814 S * 11/2014 Nakata D14/411
D717,303 S * 11/2014 Huang D14/411
D725,112 S * 3/2015 Bo D14/411
D754,661 S * 4/2016 Nishizawa D14/411
D768,133 S * 10/2016 Reed D14/411
D777,726 S * 1/2017 Nishizawa D14/411
D781,293 S * 3/2017 Mitchell D14/411
D783,022 S * 4/2017 Sirota D14/411

(Continued)

(73) Assignee: **Wacom Co., Ltd.**, Kazo-shi (JP)

FOREIGN PATENT DOCUMENTS

(**) Term: **15 Years**

EM DM/079 074 S 9/2012
JP D1548496 S 4/2016

(21) Appl. No.: **29/594,475**

(Continued)

(22) Filed: **Feb. 17, 2017**

Primary Examiner — Austin Murphy

(30) **Foreign Application Priority Data**

(74) *Attorney, Agent, or Firm* — Christensen O'Connor Johnson Kindness PLLC

Aug. 22, 2016 (JP) 2016-017807

(51) **LOC (11) Cl.** **14-02**

(52) **U.S. Cl.**
USPC **D14/411**

(58) **Field of Classification Search**
USPC D14/372, 496, 432, 371, 125, 126, 129,
D14/299, 411; D16/300-342; 351/158,
351/153, 144; 345/7-9, 905; 455/344;
348/115, 53, 121, 739

CPC G02B 27/017; G06F 3/016; G06F 3/033;
G06F 3/0317; G06F 3/03545; G06F
3/041; G06K 9/222

See application file for complete search history.

(56) **References Cited**

U.S. PATENT DOCUMENTS

D659,141 S * 5/2012 Watson D14/411
D670,289 S * 11/2012 Bae D14/411
D686,618 S * 7/2013 Wilson D14/411
D708,616 S * 7/2014 Nakata D14/411
D708,617 S * 7/2014 Nakata D14/411

(57) **CLAIM**

The ornamental design for an electronic pen, as shown and described.

DESCRIPTION

FIG. 1 is a front perspective view of an electronic pen according to a representative embodiment of our new design;

FIG. 2 is a rear perspective view of the electronic pen shown in FIG. 1;

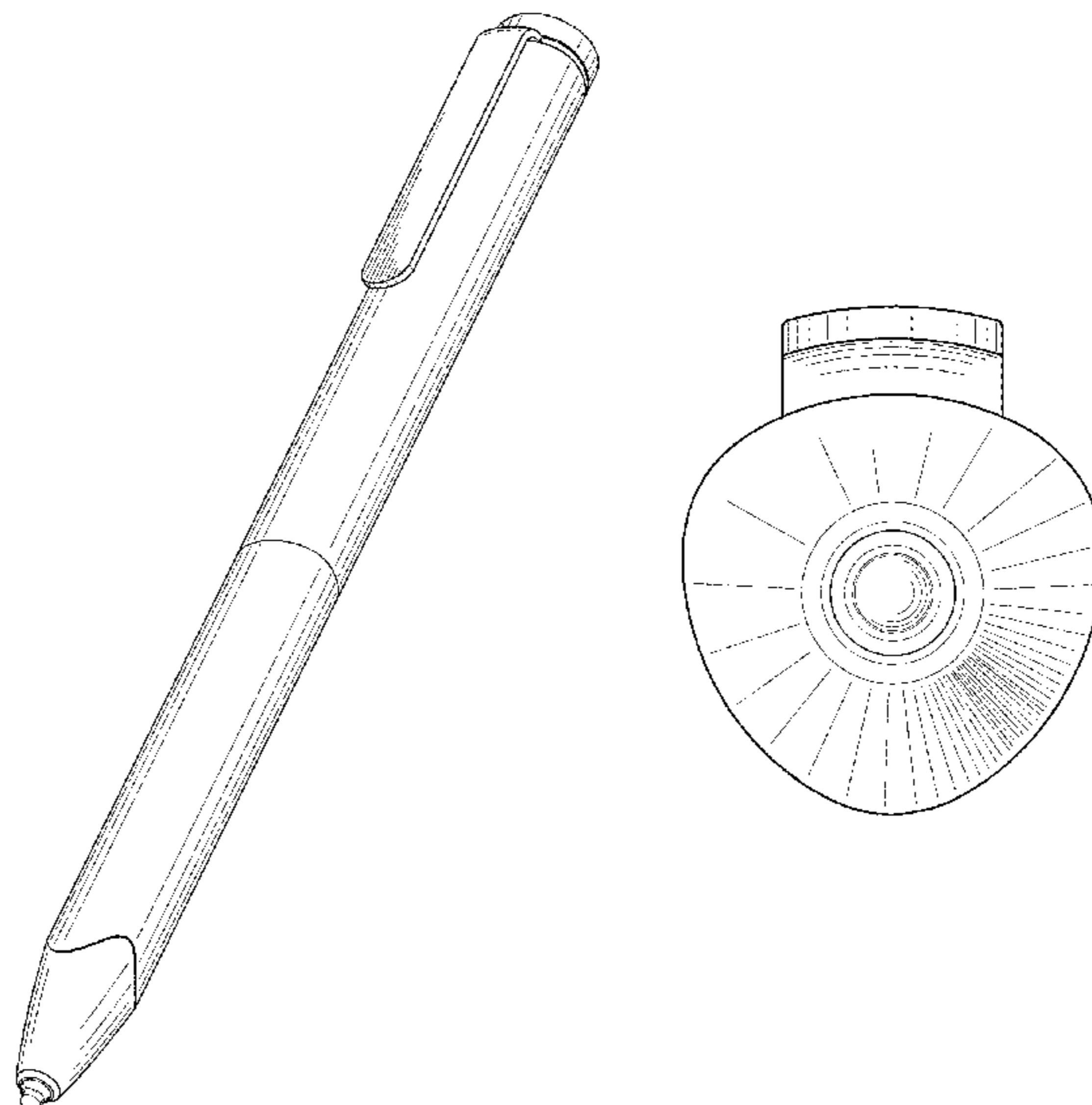
FIG. 3 is a front view of the electronic pen shown in FIG. 1;

FIG. 4 is a side view of the electronic pen shown in FIG. 1, the opposite side of the side shown in FIG. 4 being a mirror image thereof and therefore not shown;

FIG. 5 is a rear view of the electronic pen shown in FIG. 1; FIG. 6 is a top view of the electronic pen shown in FIG. 1; and,

FIG. 7 is a bottom view of the electronic pen shown in FIG. 1.

1 Claim, 4 Drawing Sheets



(56)

References Cited

U.S. PATENT DOCUMENTS

D784,991 S * 4/2017 Chang D14/411
D786,871 S * 5/2017 Park D14/411

FOREIGN PATENT DOCUMENTS

JP D1553034 S 7/2016
JP D1553035 S 7/2016

* cited by examiner

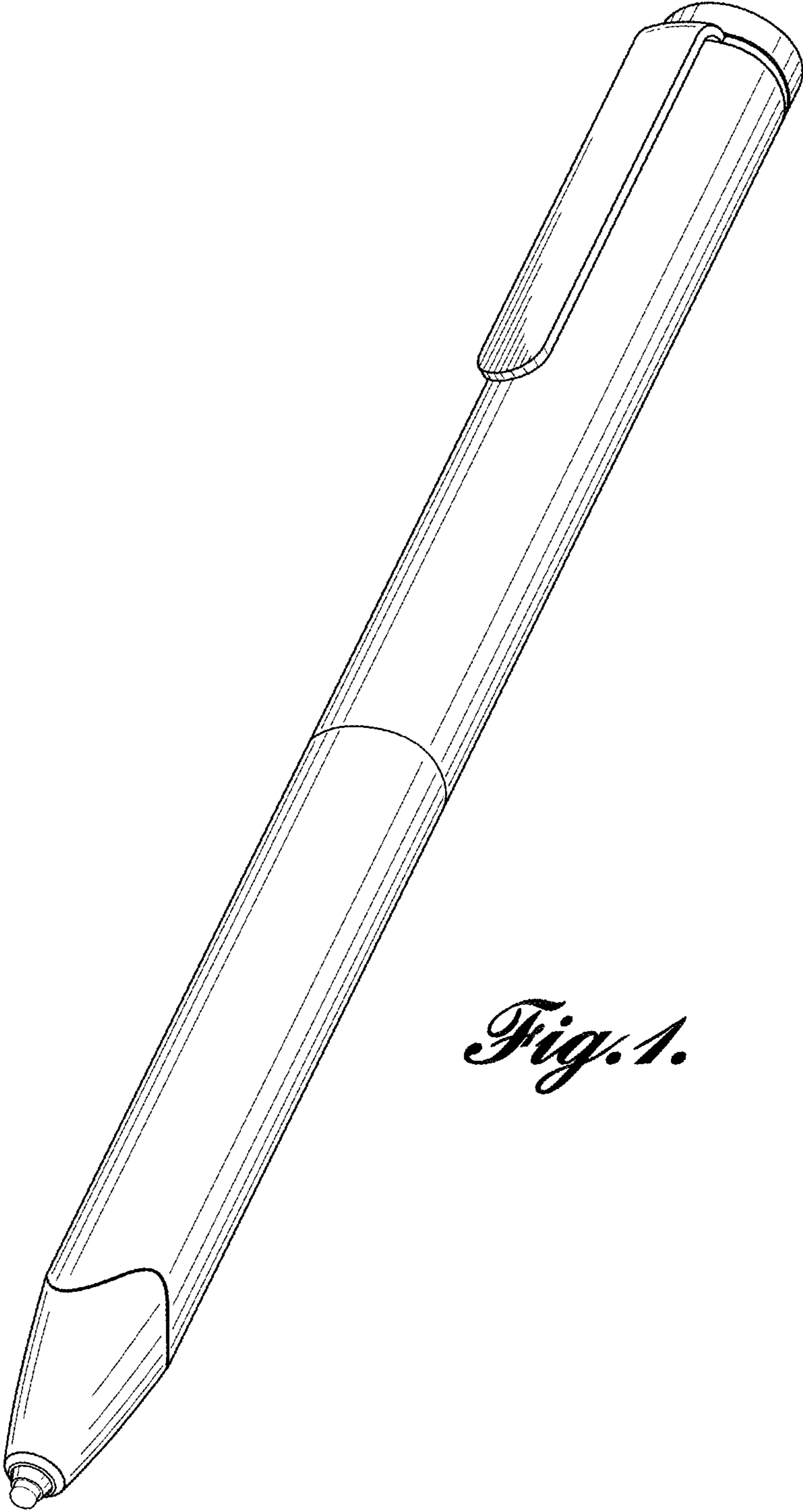


Fig. 1.

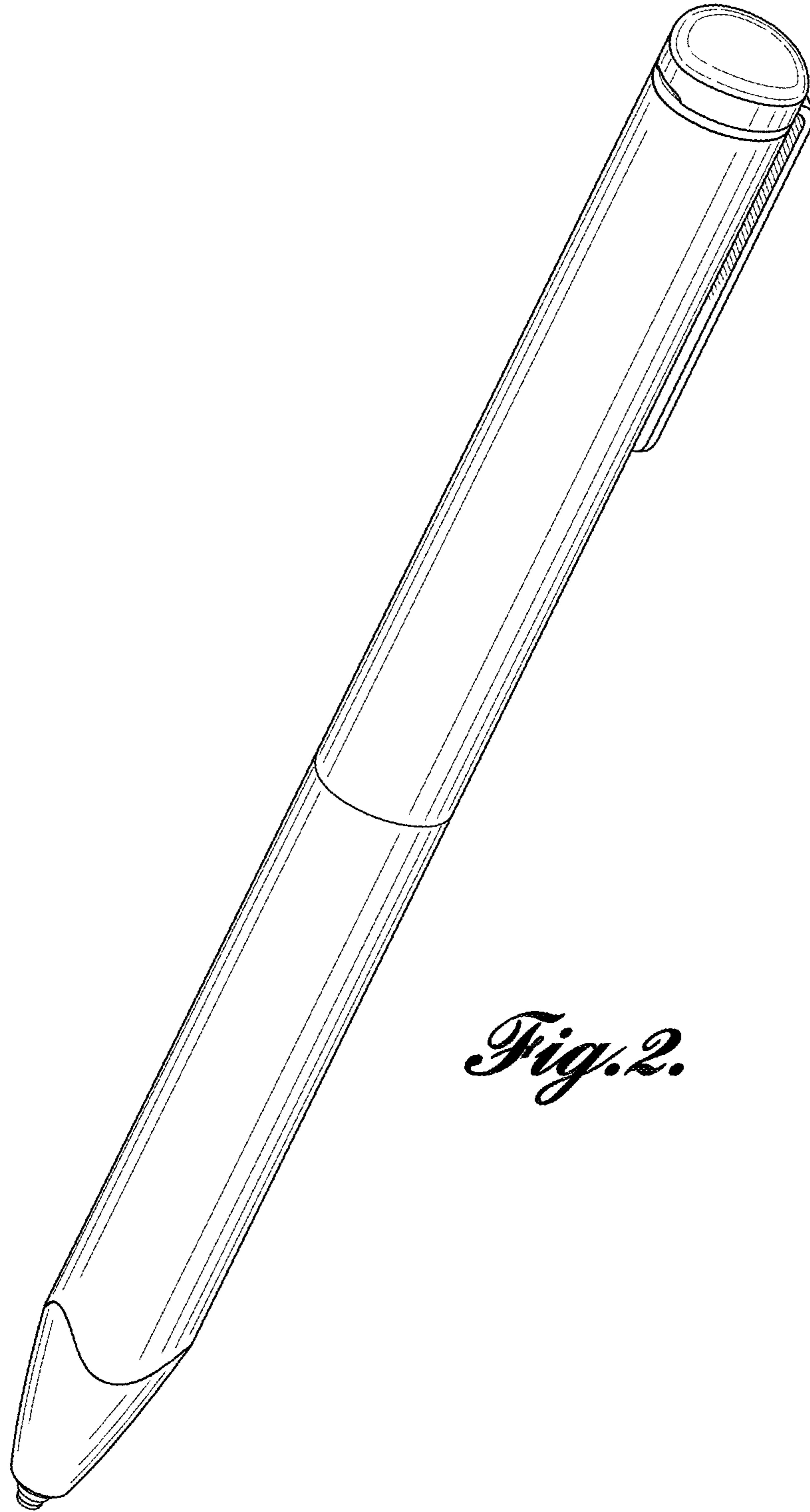


Fig. 2.

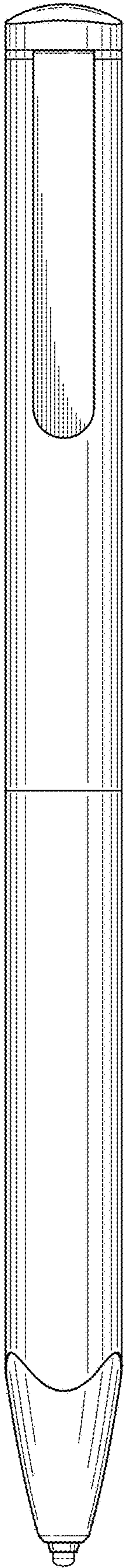


Fig. 3.

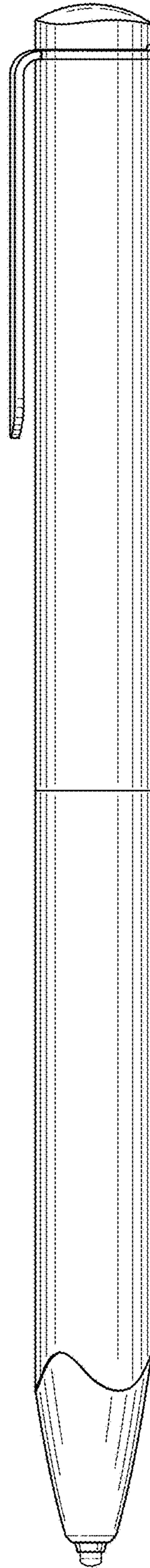


Fig. 4.

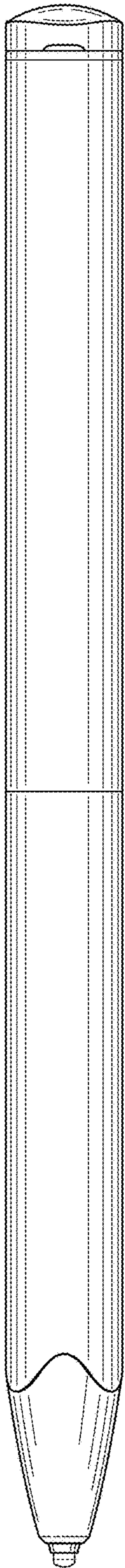


Fig. 5.

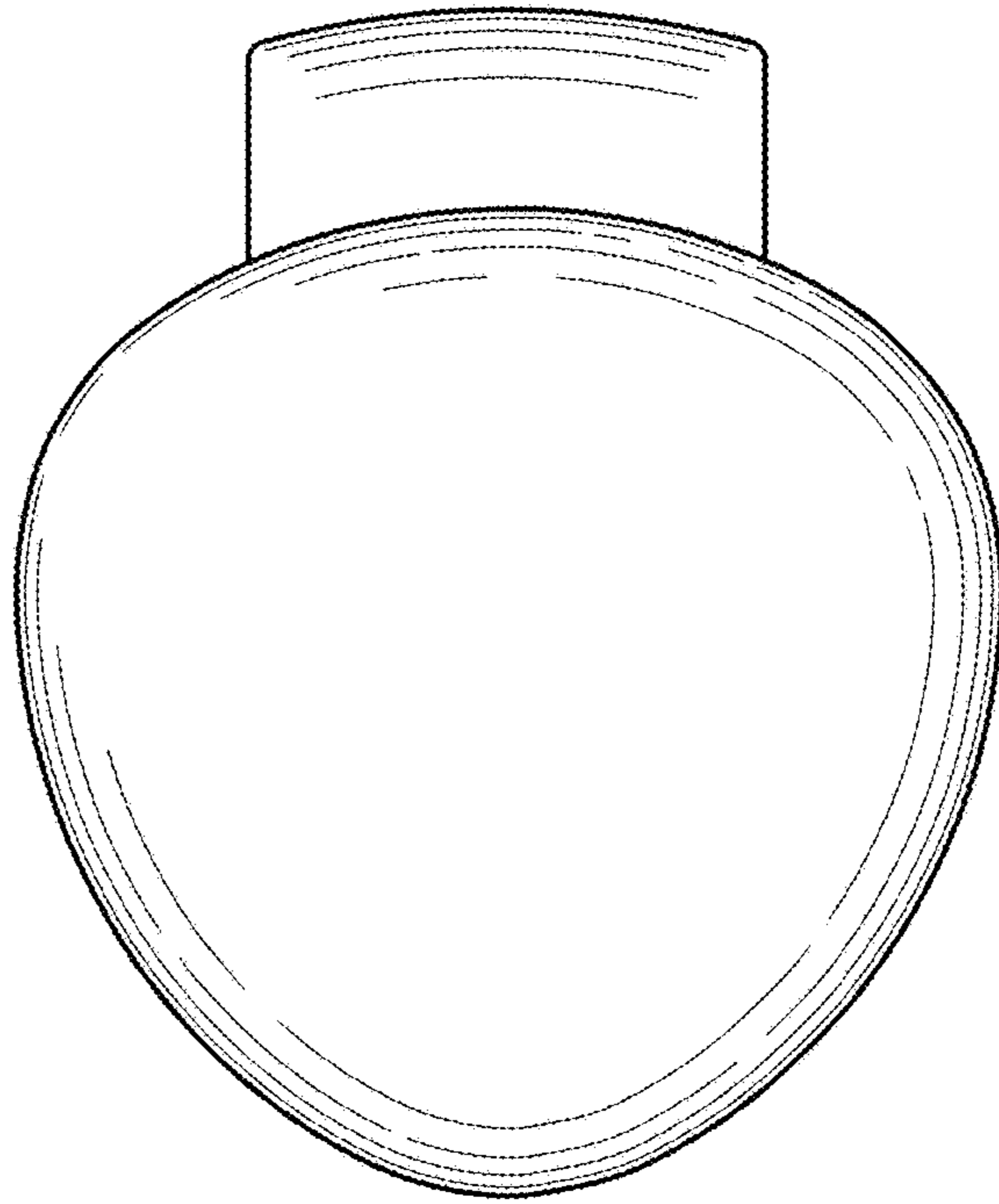


Fig. 6.

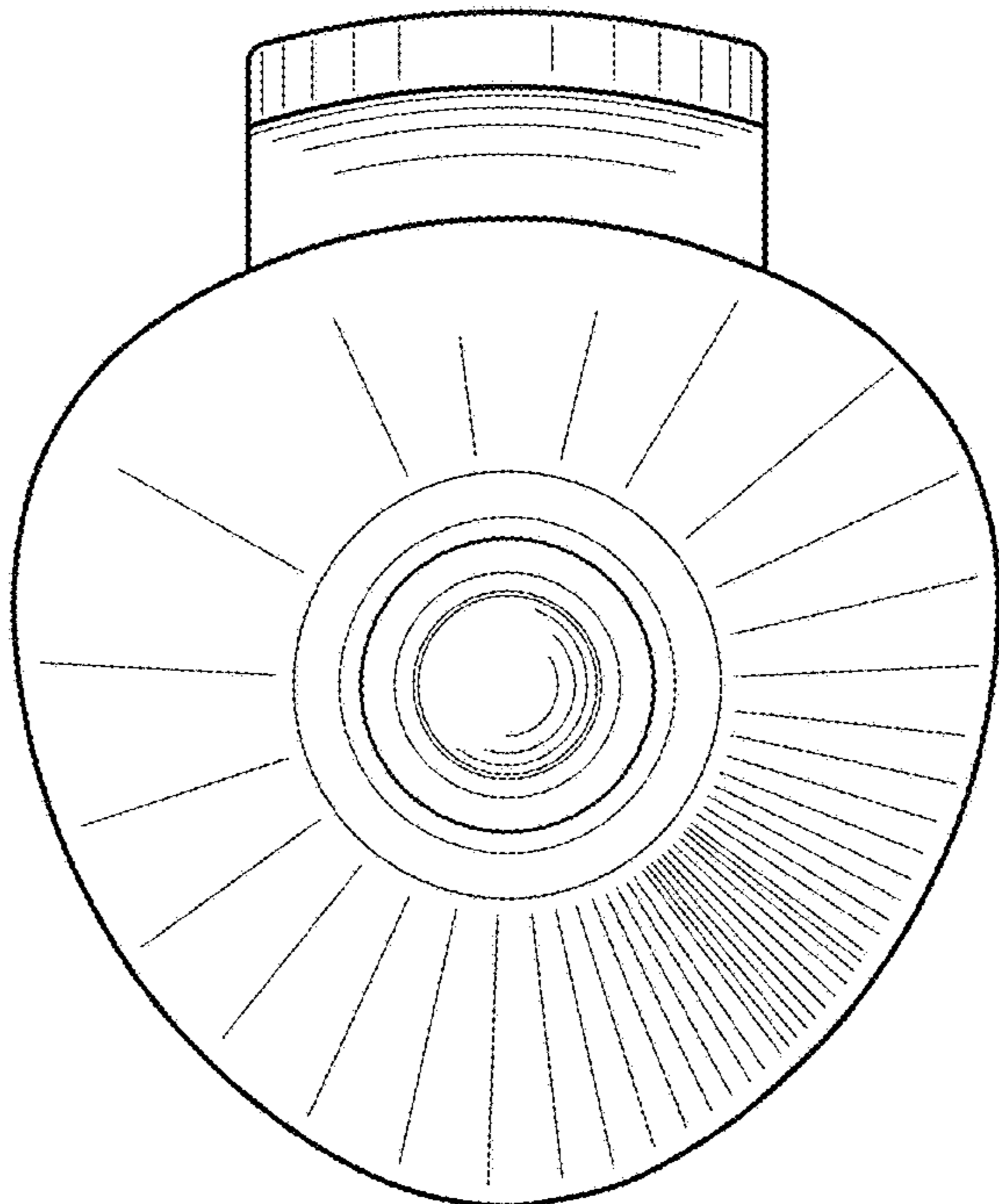


Fig. 7.