



US00D812051S

(12) **United States Design Patent**
Park et al.

(10) **Patent No.:** **US D812,051 S**
(45) **Date of Patent:** **** Mar. 6, 2018**

(54) **PORTABLE WRIST WEARABLE DEVICE**

(71) Applicant: **LG ELECTRONICS INC.**, Seoul (KR)

(72) Inventors: **Seala Park**, Seoul (KR); **Seongjae Lim**, Seoul (KR); **Hyunwoo Yoo**, Seoul (KR)

(73) Assignee: **LG Electronics Inc.**, Seoul (KR)

(**) Term: **15 Years**

(21) Appl. No.: **29/563,719**

(22) Filed: **May 6, 2016**

(30) **Foreign Application Priority Data**

Nov. 9, 2015 (KR) 30-2015-0056332

(51) **LOC (11) Cl.** **14-02**

(52) **U.S. Cl.**
USPC **D14/344**; D10/32

(58) **Field of Classification Search**
USPC D10/1-29, 30-39, 122-132; D14/341, D14/344, 138 R, 144, 358; D11/1, 2, 3, D11/4, 98; D2/623
CPC .. G04B 17/08; G04B 17/063; G04B 37/0008; G04B 37/081; G04B 37/082; G04B 37/0058; G04B 37/18; G04B 37/22; G04B 37/0066; G04B 37/12; G04B 19/00; G04B 19/04; G04B 19/06; G04B 19/065; G04B 19/166; G04B 19/10; G04B 19/12; G04B 19/23; G04B 19/235; G04B 19/24; G04B 19/26; G04B 19/268; G04B 45/0069; G04B 45/0076
See application file for complete search history.

(56) **References Cited**

U.S. PATENT DOCUMENTS

5,220,541 A * 6/1993 Vuilleumier G04F 7/0814 368/110
D387,692 S * 12/1997 Hanagata D11/3

D398,247 S * 9/1998 Dumas D10/126
D404,329 S * 1/1999 Jorst D11/25
D407,342 S * 3/1999 Ishizaka D11/3
D456,791 S * 5/2002 Forakis D10/31
D522,900 S * 6/2006 Yamamoto D11/3
D526,216 S * 8/2006 Tomimatsu D10/39

(Continued)

FOREIGN PATENT DOCUMENTS

EP 2624076 A1 * 8/2013 G04B 19/283

OTHER PUBLICATIONS

Plunder Guide, Fossil Townsman Chronograph, posted on Jan. 27, 2013, [online], [site visited on Apr. 11, 2017]. Available from Internet, <URL: <http://www.plunderguide.com/FOSSIL-TOWNSMAN-CHRONOGRAPH/>>.*

(Continued)

Primary Examiner — Sheryl Lane
Assistant Examiner — Samantha N Wood
(74) *Attorney, Agent, or Firm* — Birch, Stewart, Kolasch & Birch, LLP

(57) **CLAIM**

The ornamental design for a portable wrist wearable device, as shown and described.

DESCRIPTION

FIG. 1 is a perspective view of a portable wrist wearable device showing our new design;
FIG. 2 is a front view thereof;
FIG. 3 is a rear view thereof;
FIG. 4 is a left side view thereof;
FIG. 5 is a right side view thereof;
FIG. 6 is a top plan view thereof; and,
FIG. 7 is a bottom plan view thereof.
The broken lines depict portions of the portable wrist wearable device that form no part of the claimed design.

1 Claim, 7 Drawing Sheets

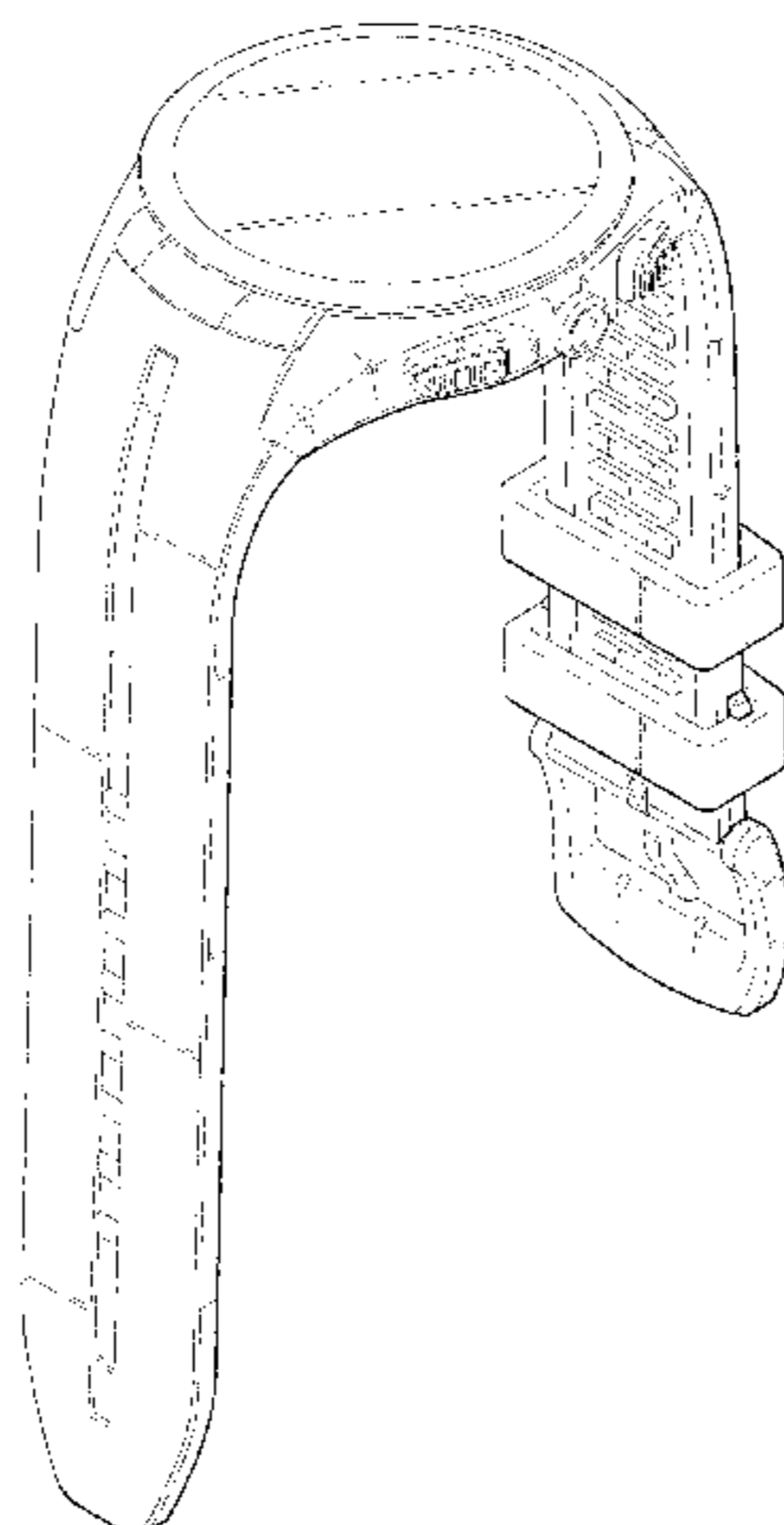


FIG. 1

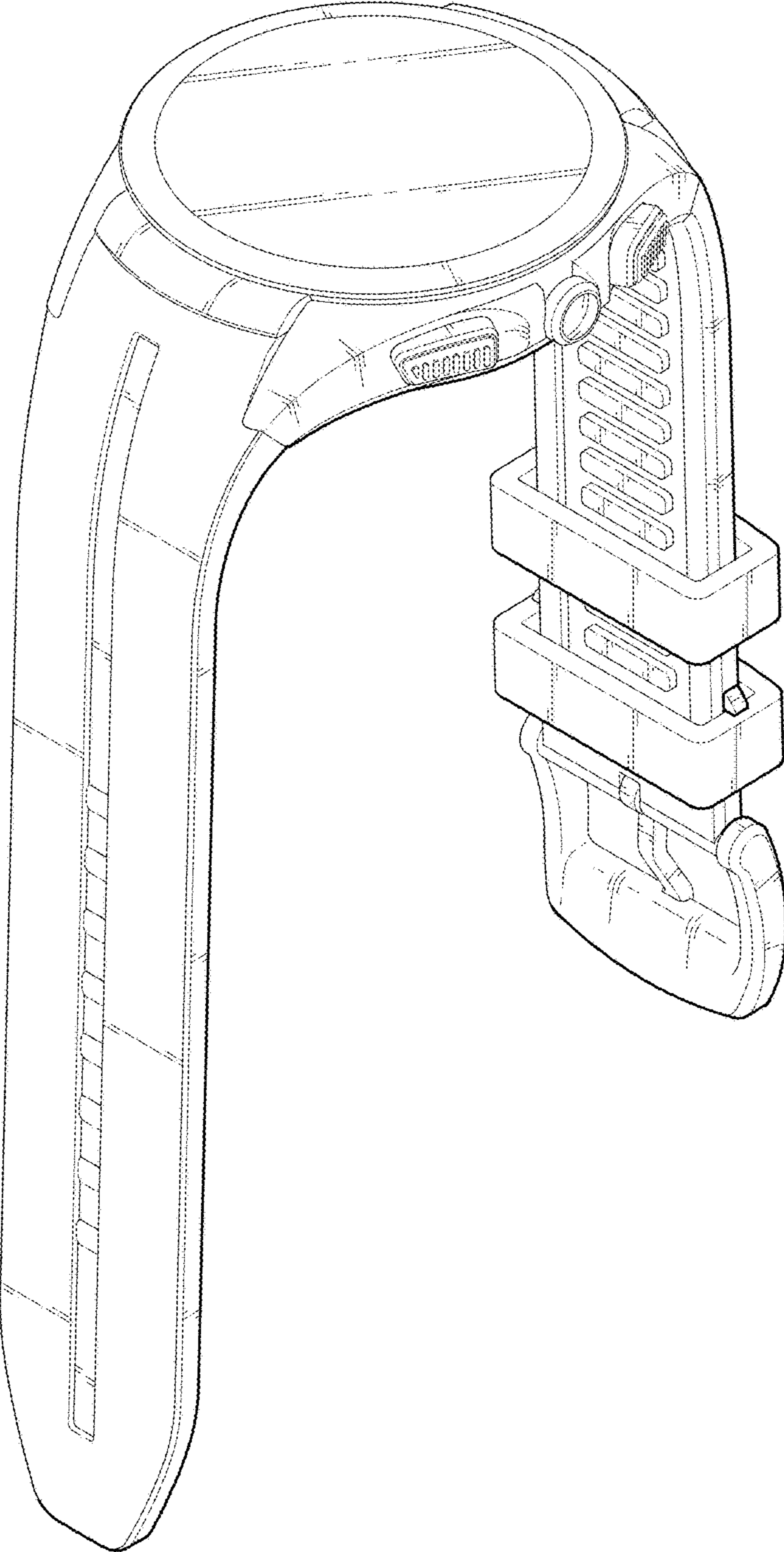


FIG. 2

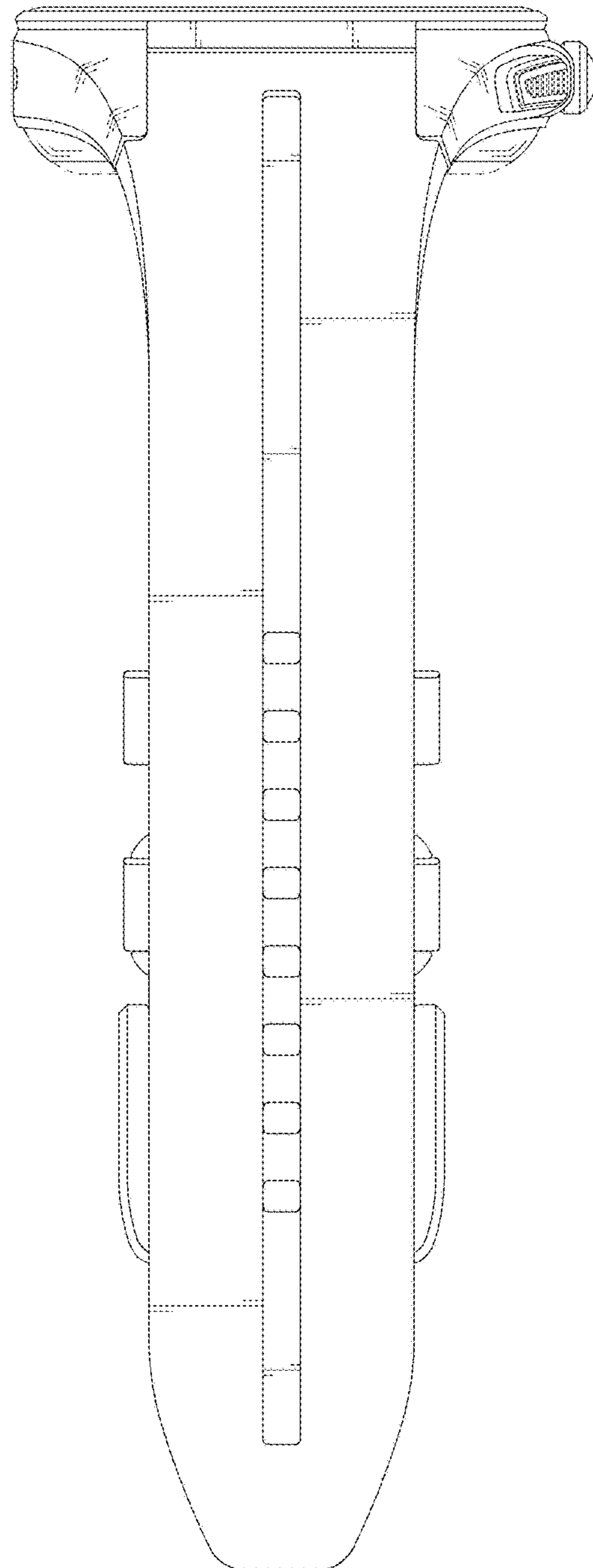


FIG. 3

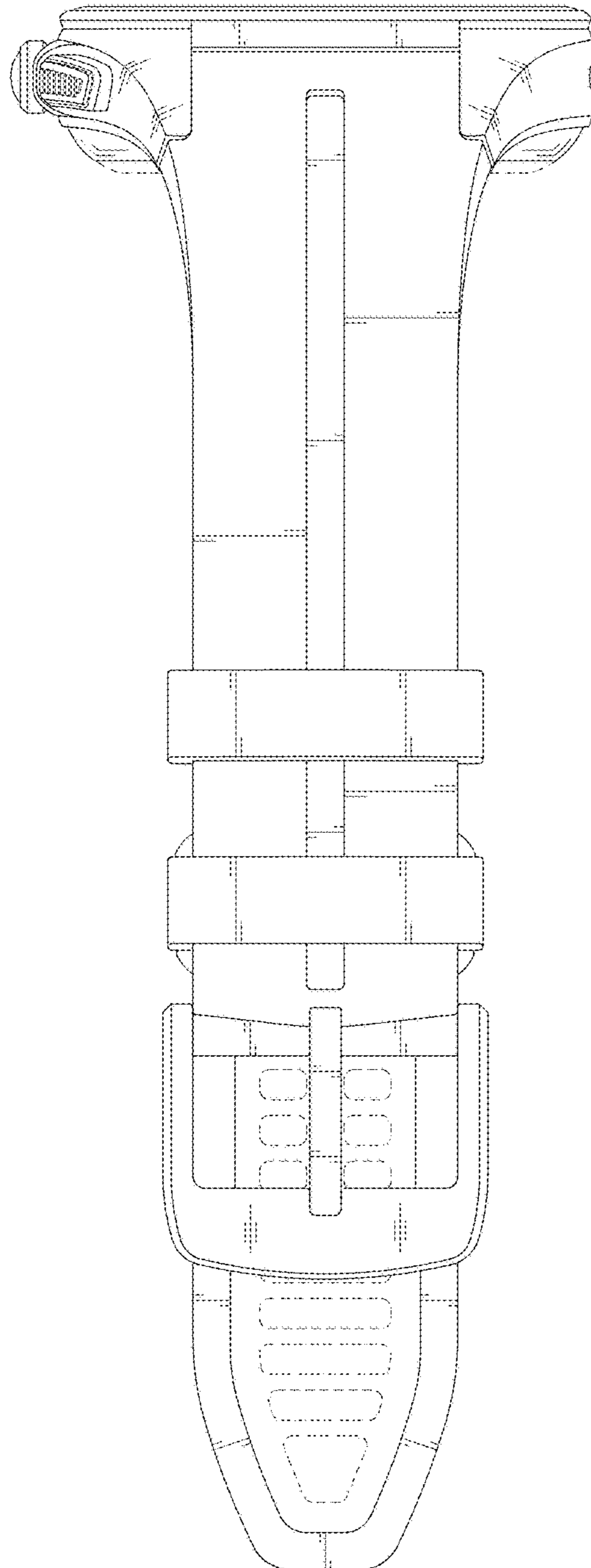


FIG. 4

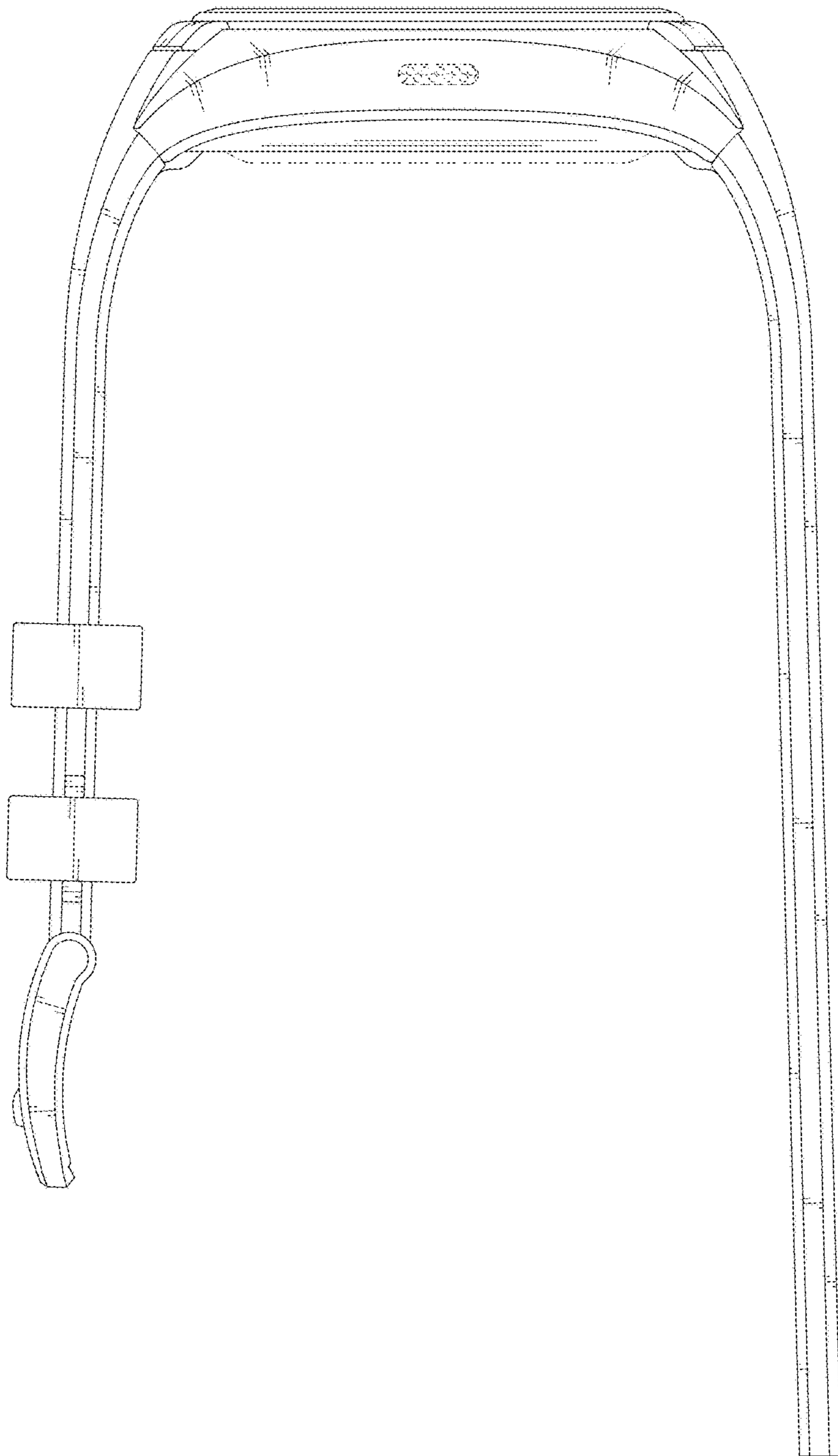


FIG. 5

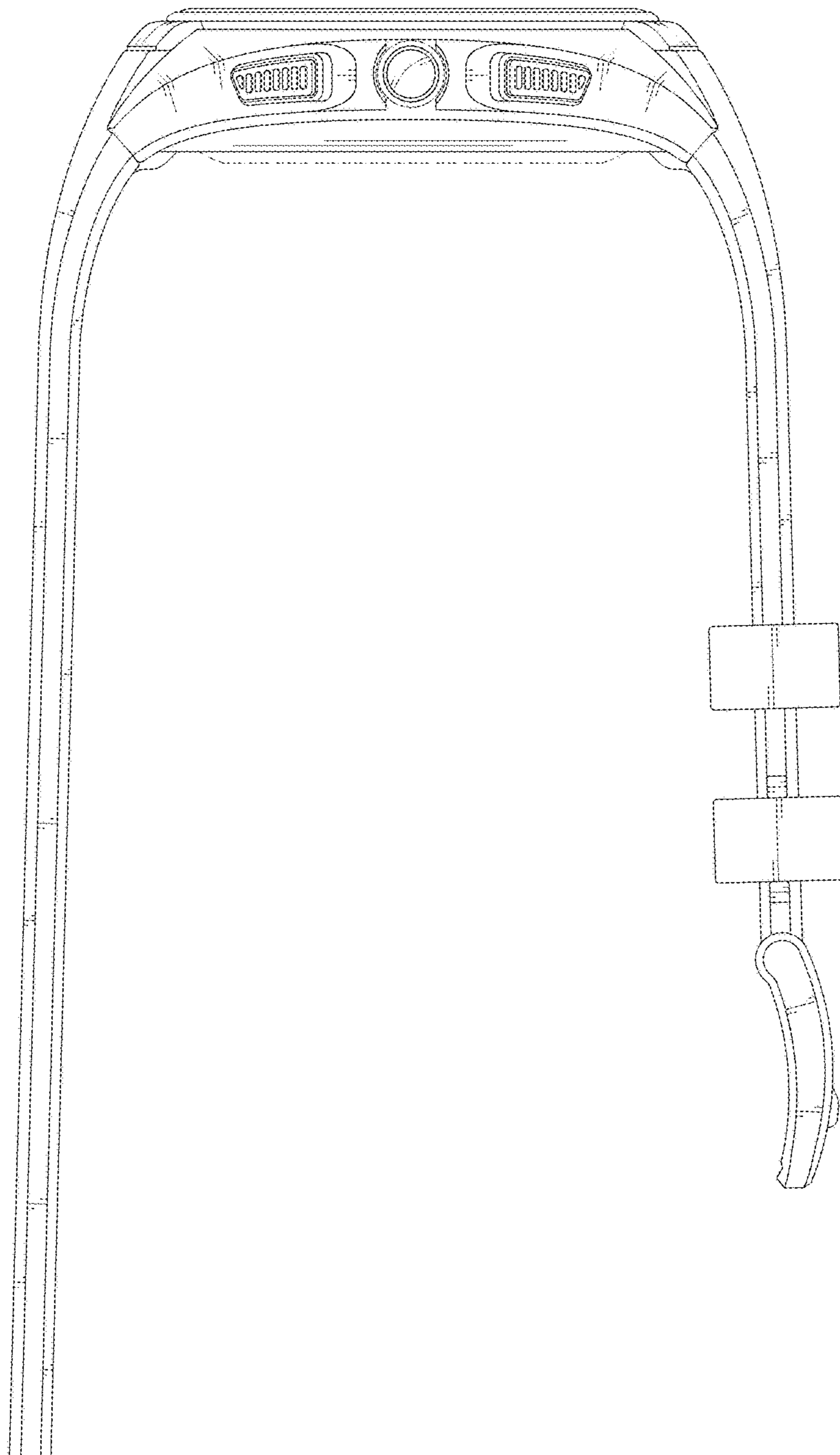


FIG. 6

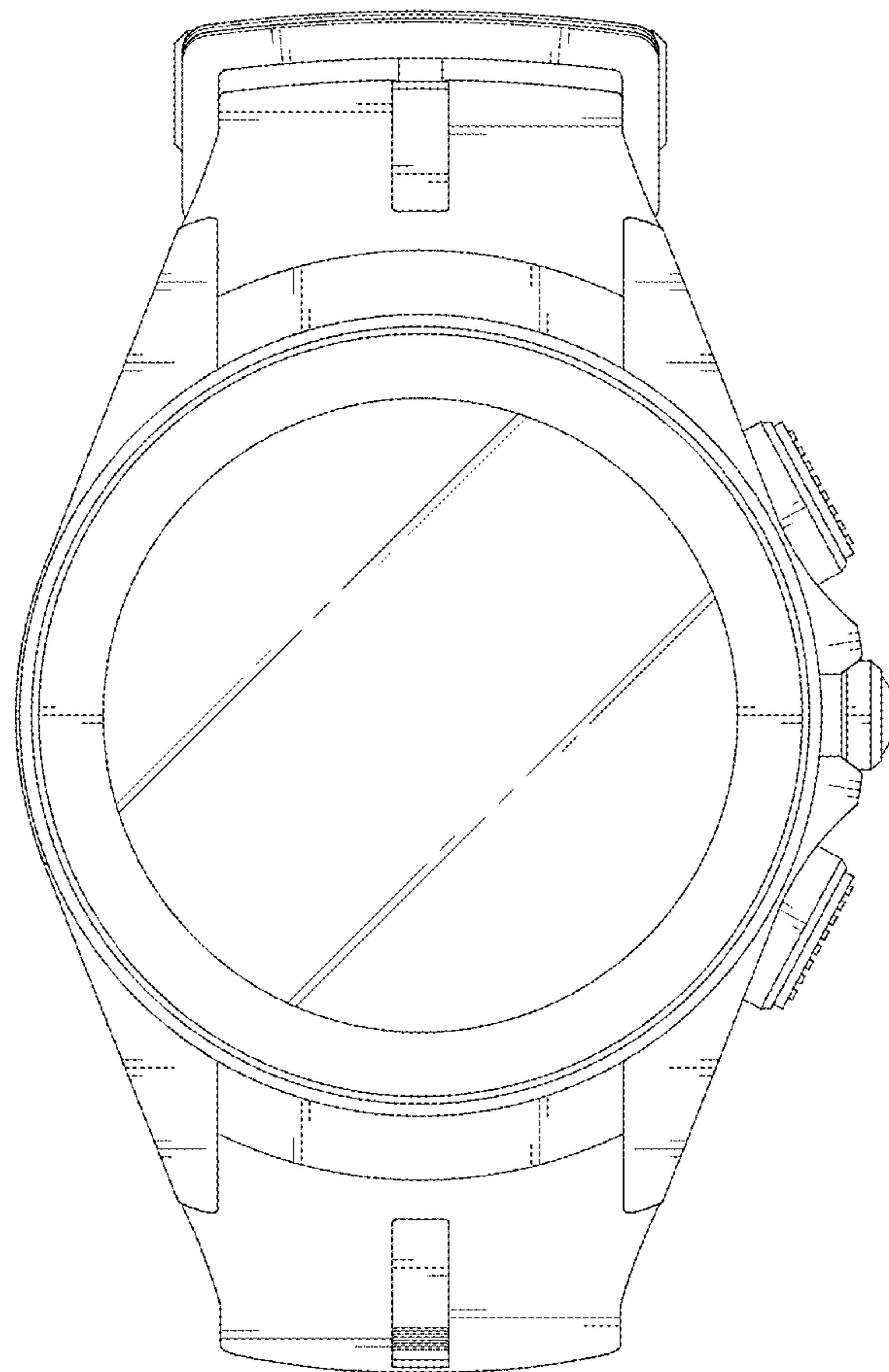


FIG. 7

