



US00D812050S

(12) **United States Design Patent**
Mitchell

(10) **Patent No.:** **US D812,050 S**
(45) **Date of Patent:** **** Mar. 6, 2018**

(54) **COORDINATE INPUT DEVICE**

(71) Applicant: **Wacom Co., Ltd.**, Kazo-shi, Saitama (JP)

(72) Inventor: **Giles Thomas Mitchell**, Setagaya-ku (JP)

(73) Assignee: **Wacom Co., Ltd.**, Kazo-shi (JP)

(**) Term: **15 Years**

(21) Appl. No.: **29/601,739**

(22) Filed: **Apr. 25, 2017**

(30) **Foreign Application Priority Data**

Dec. 21, 2016 (JP) 2016-027749

(51) **LOC (11) Cl.** **14-02**

(52) **U.S. Cl.**
USPC **D14/341**

(58) **Field of Classification Search**
USPC D14/125–134, 159, 239, 341, 342, 346,
D14/347, 336, 371, 374–377, 420, 426,
(Continued)

(56) **References Cited**

U.S. PATENT DOCUMENTS

6,462,733 B1 * 10/2002 Murakami G06F 3/033
345/156
D558,756 S 1/2008 Andre et al.
(Continued)

FOREIGN PATENT DOCUMENTS

CN 301234784 S 5/2010
CN 301426022 12/2010
CN 302630632 11/2013
CN 302630692 11/2013
CN 302748482 S 2/2014
(Continued)

OTHER PUBLICATIONS

The new Wacom Intuos pro review 2017, announced May 27, 2017 [online], [site visited Jun. 20, 2017]. Available from Internet, URL: <<http://sweetmonia.com/Sweet-Drawing-Blog/the-new-wacom->

intuos-pro-review-2017-medium-large-pth-660p-pth-860p-includ-
ing-the-new-paper-edition-pth-860p-pth-660p/>.*
Wacom Intuos pro review—Which Tablet Size Right for
You, announced Oct. 10, 2014 [online], [site visited Jun. 20,
2017]. Available from Internet, URL: <<http://sweetmonia.com/Sweet-Drawing-Blog/intuos-pro-review-which-tablet-is-the-right-for-you/>>.*

(Continued)

Primary Examiner — Barbara Fox

Assistant Examiner — Dana K Weiland

(74) *Attorney, Agent, or Firm* — Christensen O'Connor
Johnson Kindness PLLC

(57) **CLAIM**

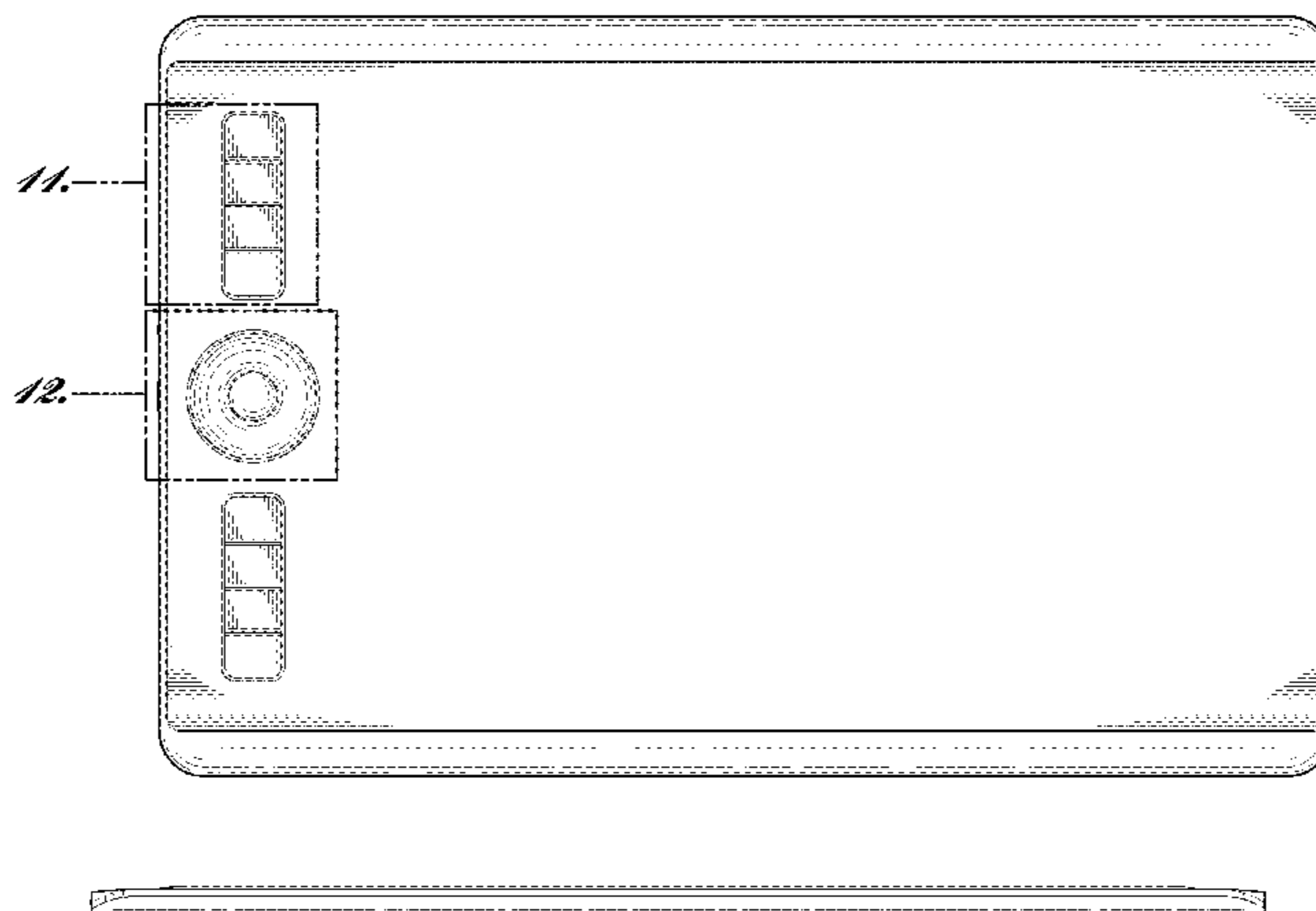
The ornamental design for a coordinate input device, as shown and described.

DESCRIPTION

FIG. 1 is a front bottom left perspective view of a coordinate input device showing my new design;
FIG. 2 is a rear top right view thereof;
FIG. 3 is a front view thereof;
FIG. 4 is a rear view thereof;
FIG. 5 is a top view thereof;
FIG. 6 is a bottom view thereof;
FIG. 7 is a left side view thereof;
FIG. 8 is a right side view thereof;
FIG. 9 is an enlarged view of a portion of the coordinate input device shown in FIG. 1;
FIG. 10 is an enlarged view of a portion of the coordinate input device shown in FIG. 2;
FIG. 11 an enlarged view of a portion of the coordinate input device shown in FIG. 3; and,
FIG. 12 is an enlarged view of a portion of the coordinate input device shown in FIG. 3.

The dashed broken lines in the drawings show portions of the coordinate input device that form no part of the claimed design. The dot-dot-dash broken lines in the drawings indicate from where the enlarged views are taken and form no part of the claimed design.

1 Claim, 9 Drawing Sheets



(58) **Field of Classification Search**

USPC D14/440, 448, 450, 496, 138 R, 138 AA,
 D14/138 G, 147, 203.1–203.7, 247, 388,
 D14/389; D6/300–310; D16/241;
 D20/10, 19, 39; D21/329, 333, 331, 332
 CPC .. G06F 1/1613; G06F 3/04883; G06F 1/1647;
 G06F 3/04845; G06F 1/1601; G06F
 1/1643; A63H 33/3016; H04M 1/0279;
 H04M 1/0281; H04M 1/0283; H05K
 5/0004; H05K 5/0017; H05K 5/02; H05K
 5/0217; H04N 13/0459

See application file for complete search history.

(56) **References Cited**

U.S. PATENT DOCUMENTS

D580,387 S 11/2008 Andre et al.
 D585,037 S * 1/2009 Drozdenko D14/203.1
 D590,381 S * 4/2009 Laine D14/247
 D600,241 S 9/2009 Andre et al.
 D601,135 S * 9/2009 Stone D14/247
 D604,297 S 11/2009 Andre et al.
 D617,762 S 6/2010 Hong et al.
 D620,003 S 7/2010 Chiang et al.
 D622,689 S 8/2010 Ho et al.
 D625,727 S 10/2010 Crisp et al.
 D625,728 S 10/2010 Crisp et al.
 D627,778 S 11/2010 Akana et al.
 D629,400 S 12/2010 Harper
 D629,401 S 12/2010 Crisp et al.
 D629,402 S 12/2010 Crisp et al.
 D631,047 S 1/2011 Hirota
 D636,390 S 4/2011 Andre et al.
 D636,768 S 4/2011 Chan et al.
 D637,597 S * 5/2011 Seong D14/346
 D638,396 S * 5/2011 Finnegan D14/203.3
 D642,174 S * 7/2011 Hirota D14/374
 D642,563 S 8/2011 Akana et al.
 D648,723 S 11/2011 Harper et al.
 D662,094 S 6/2012 Mack et al.
 D670,287 S * 11/2012 Shimizu D14/341
 8,390,272 B2 * 3/2013 Yokota G06F 3/0416
 178/18.06
 D681,032 S 4/2013 Akana et al.
 D681,056 S 4/2013 Akana et al.
 D681,632 S 5/2013 Akana et al.
 D684,571 S 6/2013 Akana et al.
 D687,826 S 8/2013 Jeon et al.
 D688,239 S 8/2013 Chiang
 D689,482 S 9/2013 Akana et al.
 D689,487 S 9/2013 Halsinger et al.
 D689,488 S 9/2013 Halsinger et al.
 D689,489 S 9/2013 Halsinger et al.
 D689,490 S 9/2013 Halsinger et al.
 D689,491 S 9/2013 Halsinger et al.
 D689,492 S 9/2013 Halsinger et al.
 D689,499 S * 9/2013 Chen D14/440
 D689,856 S 9/2013 Shen
 D690,696 S 10/2013 Jonsson et al.
 D690,697 S 10/2013 Jonsson et al.
 D690,698 S 10/2013 Jonsson et al.
 D690,699 S 10/2013 Jonsson et al.
 D690,700 S 10/2013 Jonsson et al.
 D690,701 S 10/2013 Jonsson
 D693,333 S * 11/2013 Joe D14/218
 D694,211 S 11/2013 Yuu et al.
 D698,352 S 1/2014 Andre et al.
 D698,783 S 2/2014 Hong
 D702,233 S * 4/2014 Lee D14/341
 D702,235 S * 4/2014 Jonsson D14/390
 D706,300 S 6/2014 Akana et al.
 D706,301 S 6/2014 Akana et al.
 D706,302 S 6/2014 Akana et al.
 D707,223 S 6/2014 Akana et al.
 D709,077 S 7/2014 Jonsson et al.

D716,798 S 11/2014 Kurimoto et al.
 D716,799 S 11/2014 Green et al.
 D719,150 S 12/2014 Daniel
 D719,161 S 12/2014 Huebner
 D722,055 S 2/2015 Jonsson et al.
 D725,180 S 3/2015 Azuma
 D725,181 S 3/2015 Azuma
 D725,650 S 3/2015 Satzger et al.
 D725,651 S 3/2015 Green et al.
 D731,481 S 6/2015 Akana et al.
 D733,710 S 7/2015 Huebner
 D736,763 S 8/2015 Yum et al.
 9,143,127 B2 * 9/2015 Tamura H03K 17/962
 D740,281 S 10/2015 Kim et al.
 D743,391 S 11/2015 Akana et al.
 D743,931 S 11/2015 Hubbard et al.
 D744,480 S 12/2015 Kim
 D744,484 S * 12/2015 Huebner D14/389
 D745,004 S 12/2015 Kim
 D746,281 S 12/2015 Kim et al.
 D747,310 S 1/2016 Akana et al.
 D748,090 S 1/2016 Kim et al.
 D748,091 S 1/2016 Akana et al.
 D748,621 S 2/2016 Akana et al.
 D749,575 S 2/2016 Park et al.
 D750,620 S 3/2016 Zhai
 D753,101 S 4/2016 Akana et al.
 D753,104 S 4/2016 Kim et al.
 D753,105 S 4/2016 Chang et al.
 D754,124 S 4/2016 Kim et al.
 D754,125 S 4/2016 Akana et al.
 D756,354 S 5/2016 Katsumata
 D756,995 S 5/2016 Yamazaki et al.
 D756,997 S 5/2016 Lai et al.
 D758,361 S 6/2016 Yeo et al.
 D759,008 S 6/2016 Akana et al.
 D760,197 S * 6/2016 Huebner D14/218
 D760,217 S 6/2016 Akana et al.
 D760,715 S 7/2016 Chang et al.
 D762,207 S 7/2016 Akana et al.
 D762,640 S 8/2016 Yamazaki et al.
 D763,252 S 8/2016 Lee et al.
 D763,846 S 8/2016 Lee
 D770,444 S 11/2016 Ho et al.
 D771,034 S 11/2016 Satzger et al.
 D775,096 S 12/2016 Kim et al.
 D775,125 S * 12/2016 Yoshihara D14/341
 D779,480 S 2/2017 Abrams
 D780,175 S 2/2017 Jung et al.
 D780,748 S 3/2017 Wang et al.
 D781,285 S 3/2017 Akana et al.
 D781,846 S * 3/2017 Hasegawa D14/341
 D782,469 S 3/2017 Raken et al.
 D783,603 S 4/2017 Satzger et al.
 D784,980 S * 4/2017 Lin D14/341
 2013/0161179 A1 * 6/2013 Tamura H03K 17/962
 200/600
 2014/0263930 A1 * 9/2014 Huebner F16M 11/10
 248/558

FOREIGN PATENT DOCUMENTS

CN 303854589 S 9/2016
 EM 001435259-0002 S 6/2015
 JP D1372733 S 11/2009

OTHER PUBLICATIONS

“Intuos®pro: Special Edition,” Intuos Pro Special Edition Digital Pen Tablet, Wacom, <<http://www.wacom.com/en-us/products/pen-tablets/intuos-pro-se>> [retrieved Apr. 3, 2017], 13 pages.
 EasyPen M506, Genius, [retrieved Jun. 21, 2017], 4 pages.
 Flanwang drawing tablet, Jul. 9, 2015 [retrieved Jun. 20, 2017], 5 pages.

* cited by examiner

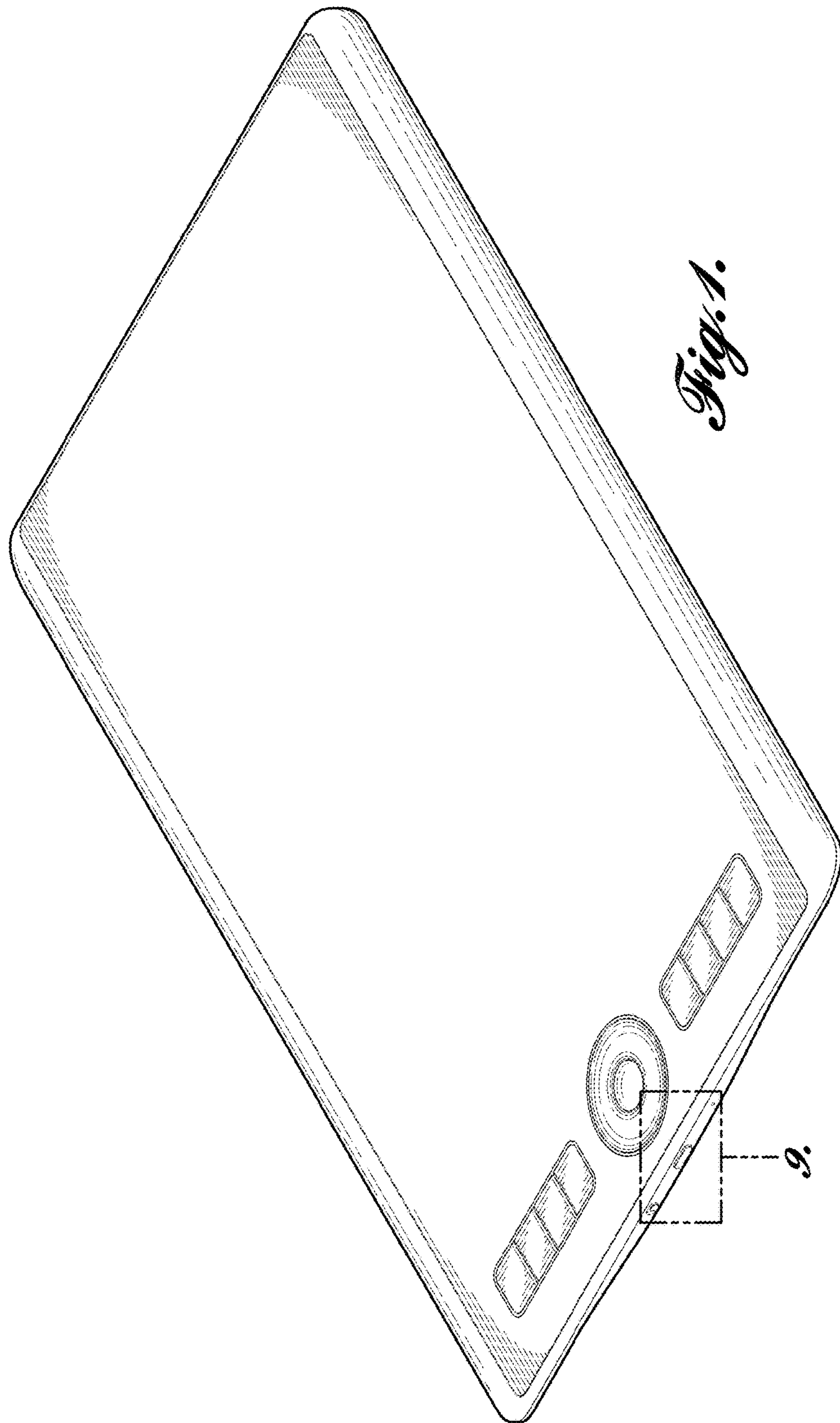


Fig. 1.

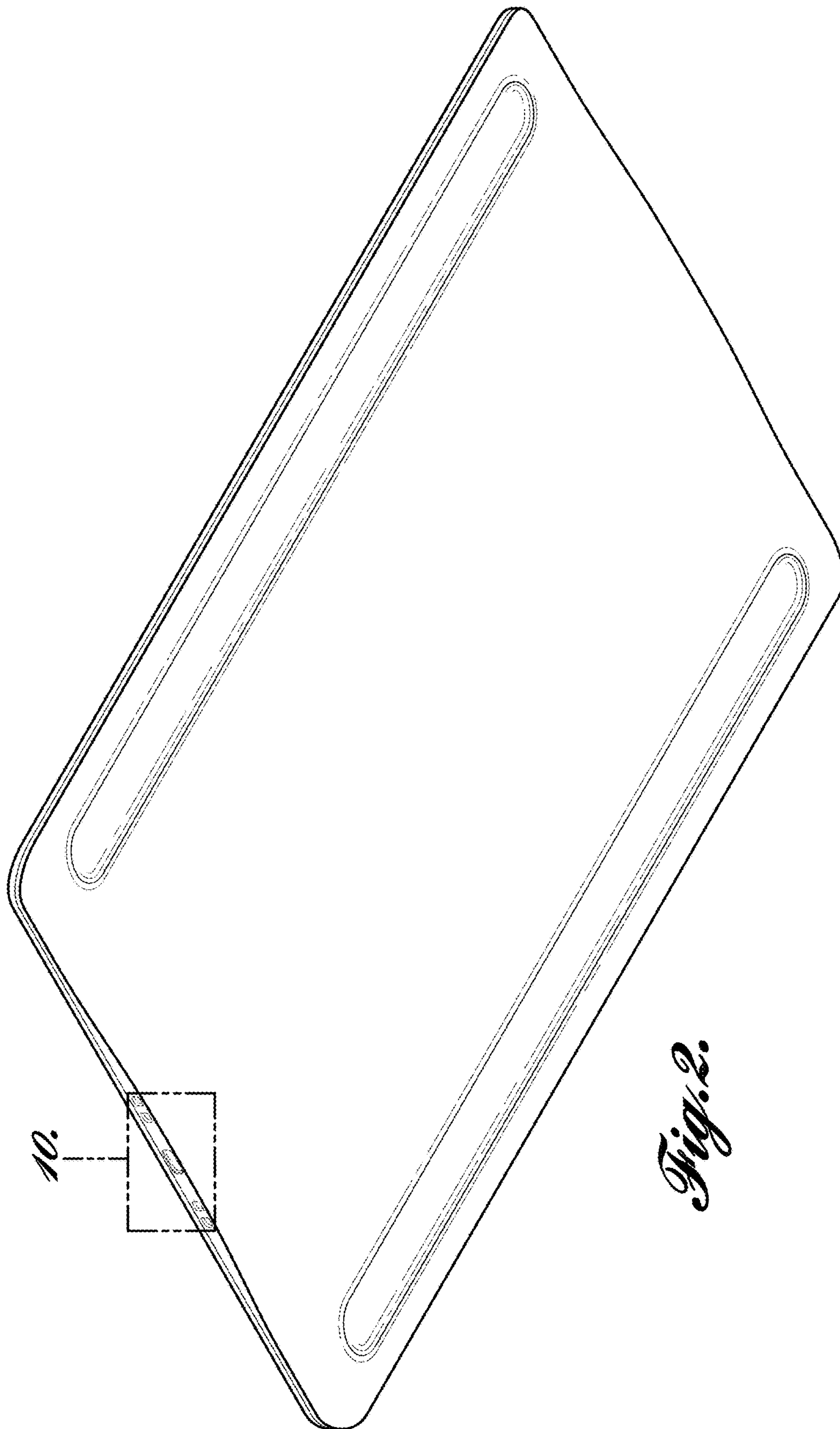


Fig. 2.

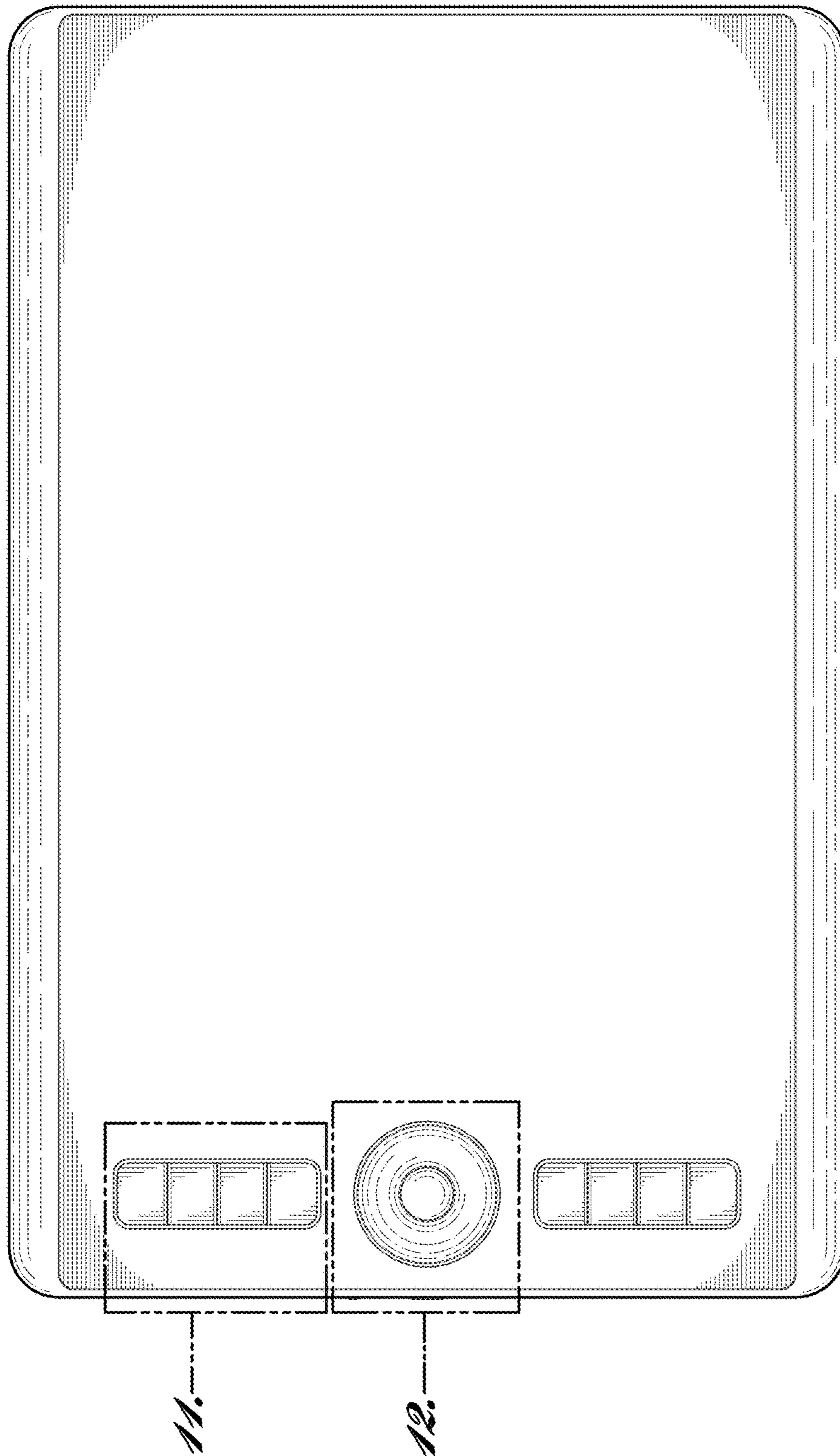


Fig. 3.

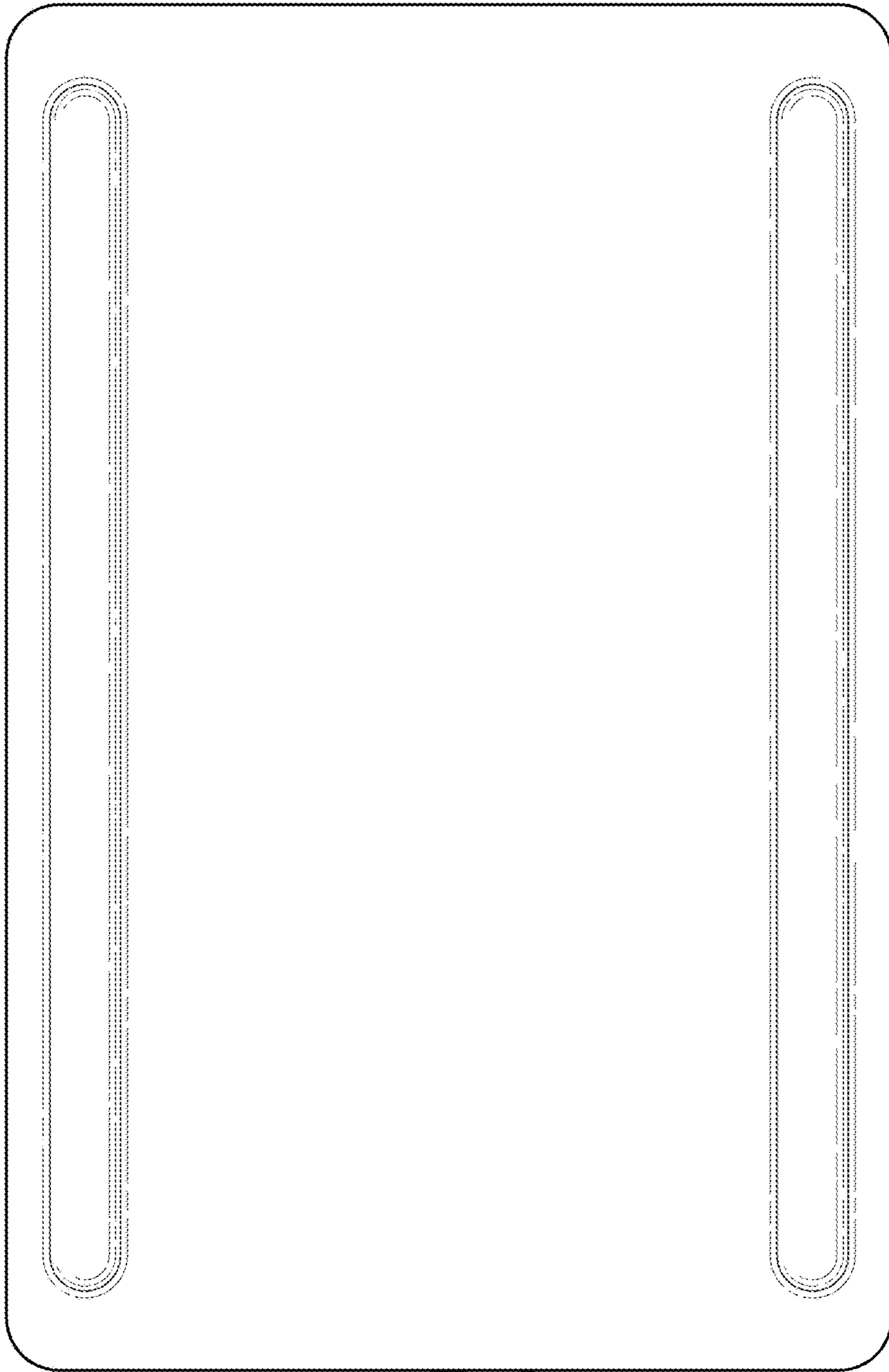


Fig. 4.



Fig. 5.

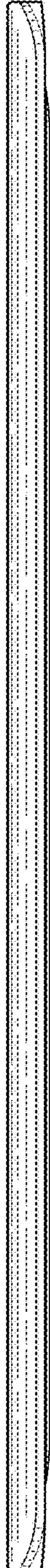


Fig. 6.



Fig. 7.



Fig. 8.

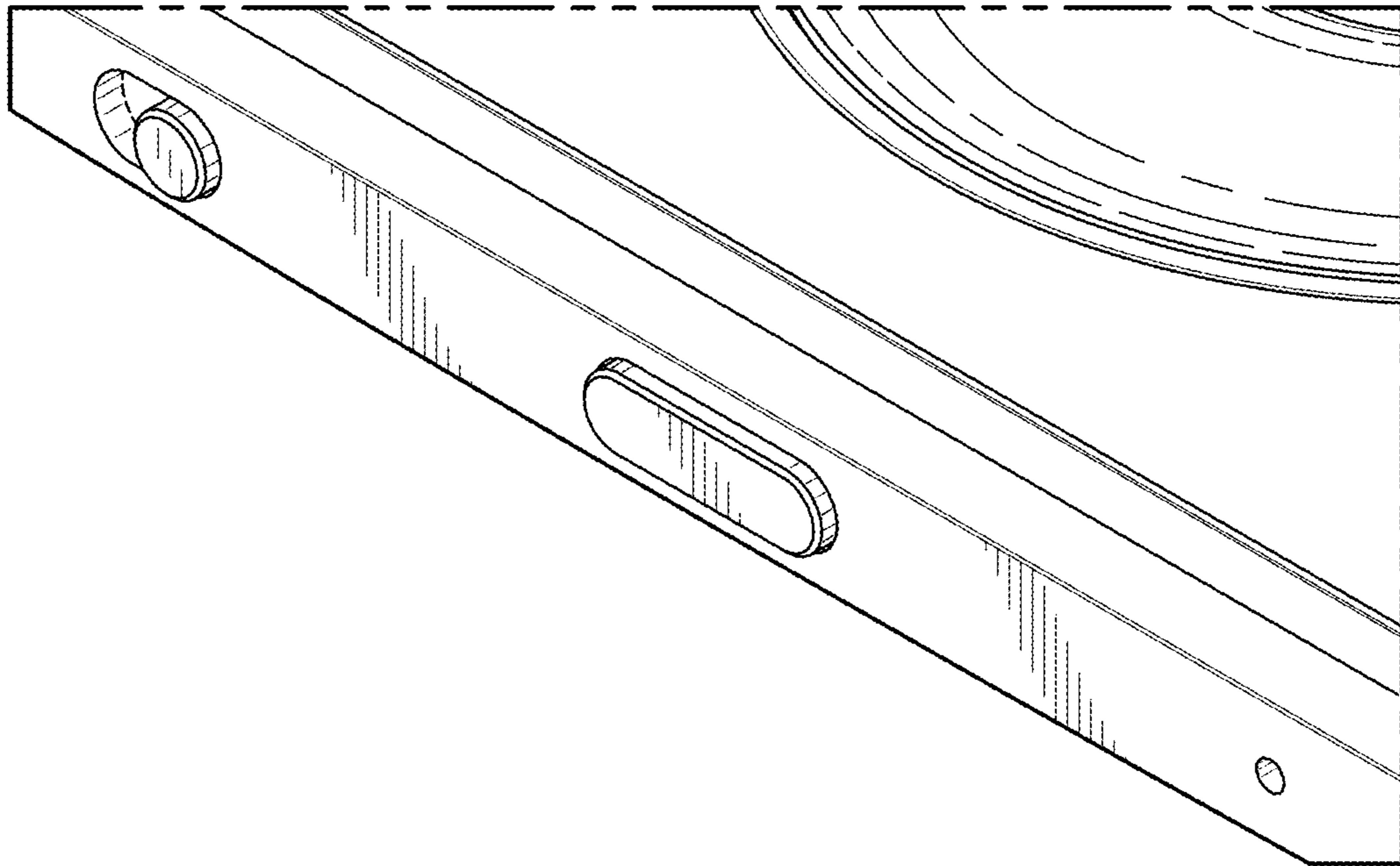


Fig. 9.

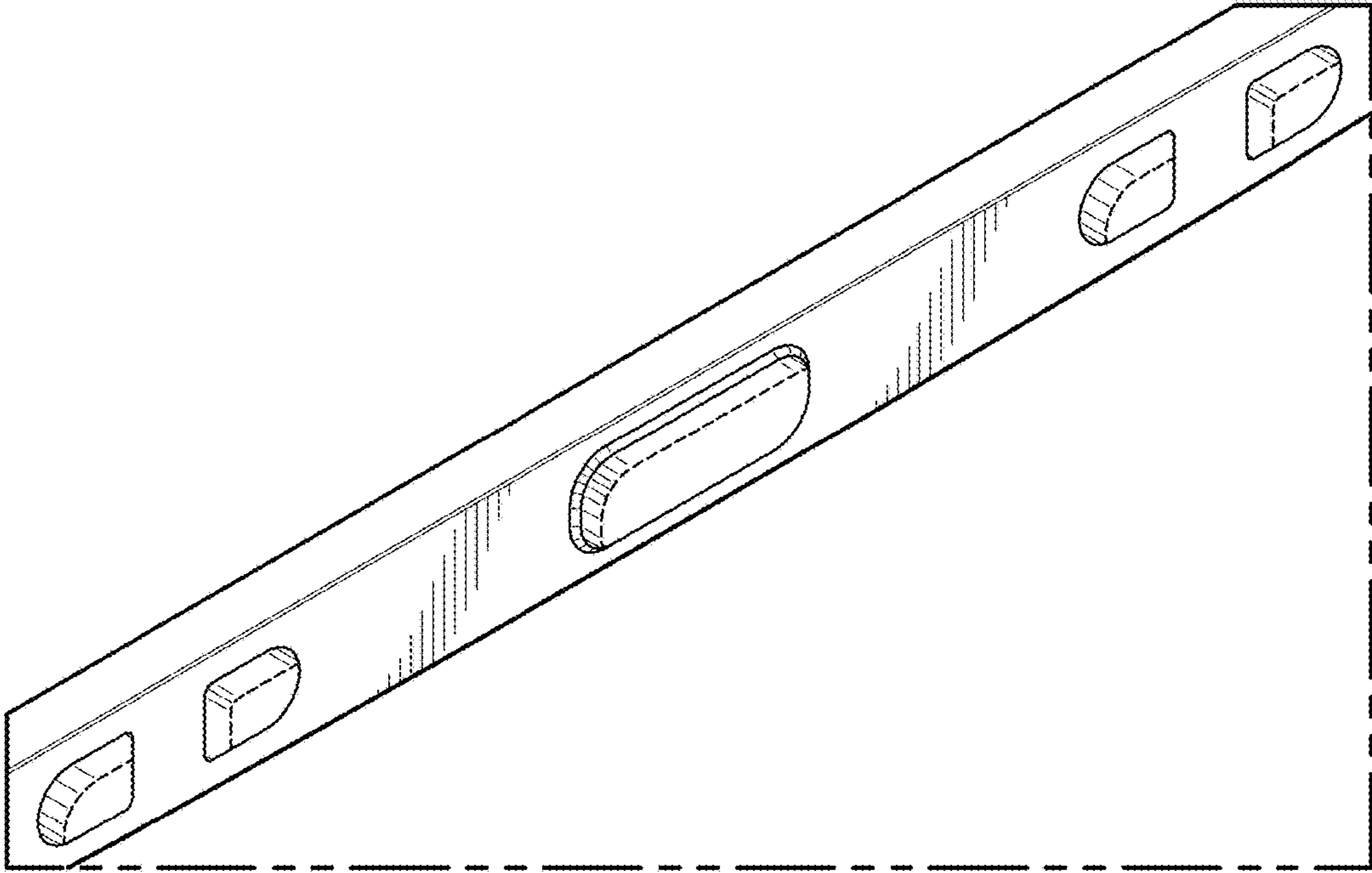


Fig. 10.

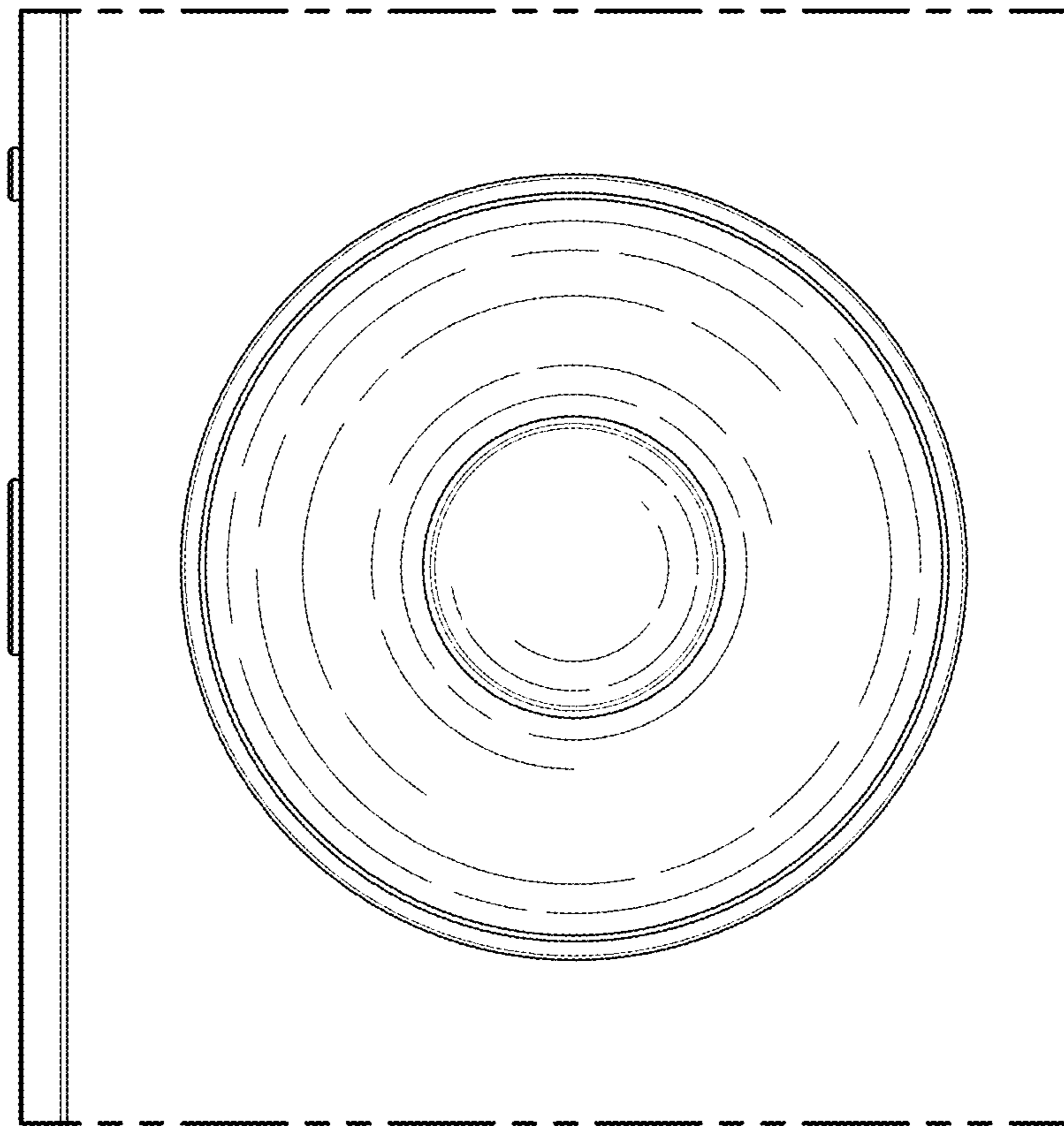


Fig. 11.

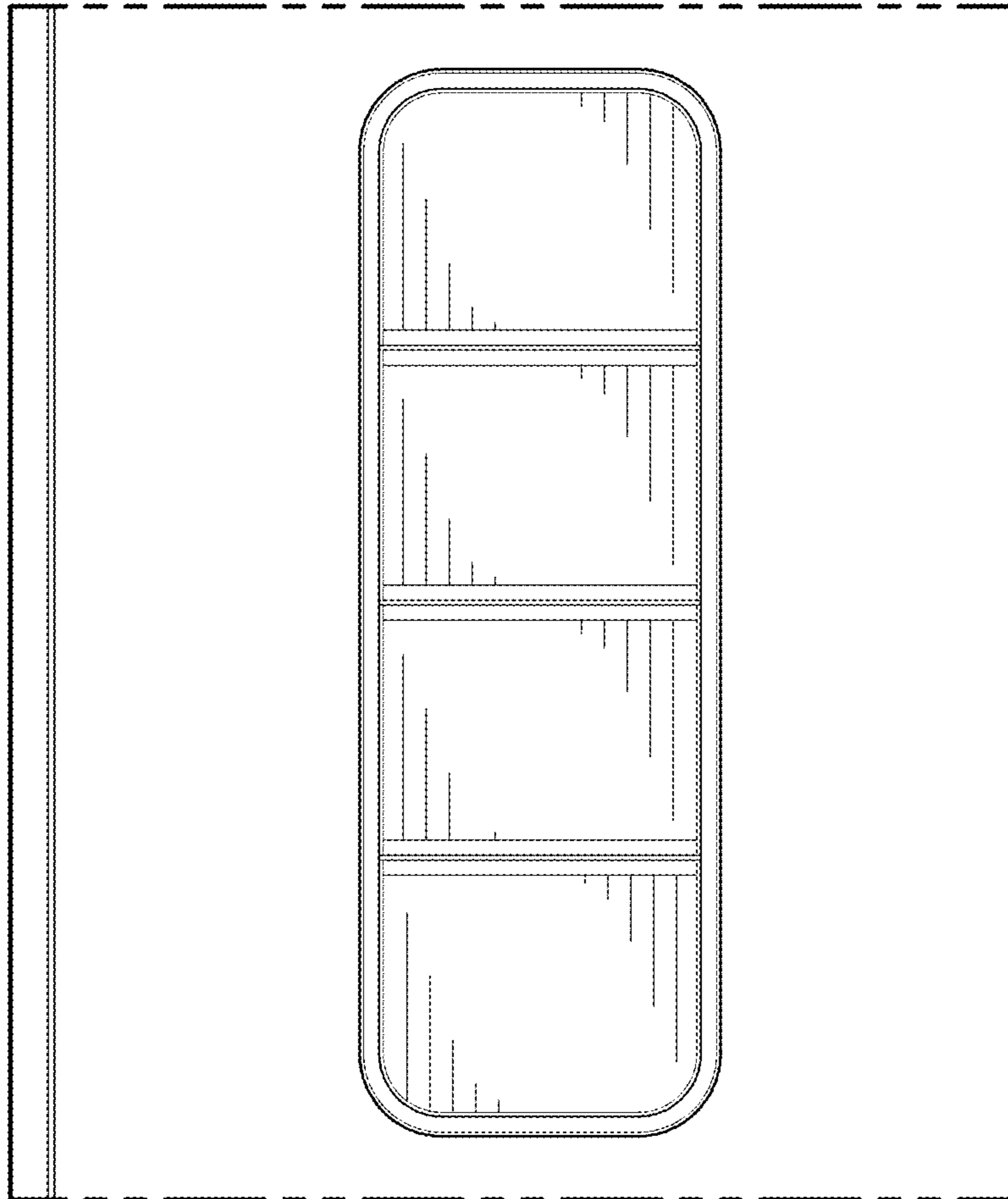


Fig. 12.

UNITED STATES PATENT AND TRADEMARK OFFICE
CERTIFICATE OF CORRECTION

PATENT NO. : D812,050 S
APPLICATION NO. : 29/601739
DATED : March 6, 2018
INVENTOR(S) : G. T. Mitchell

Page 1 of 1

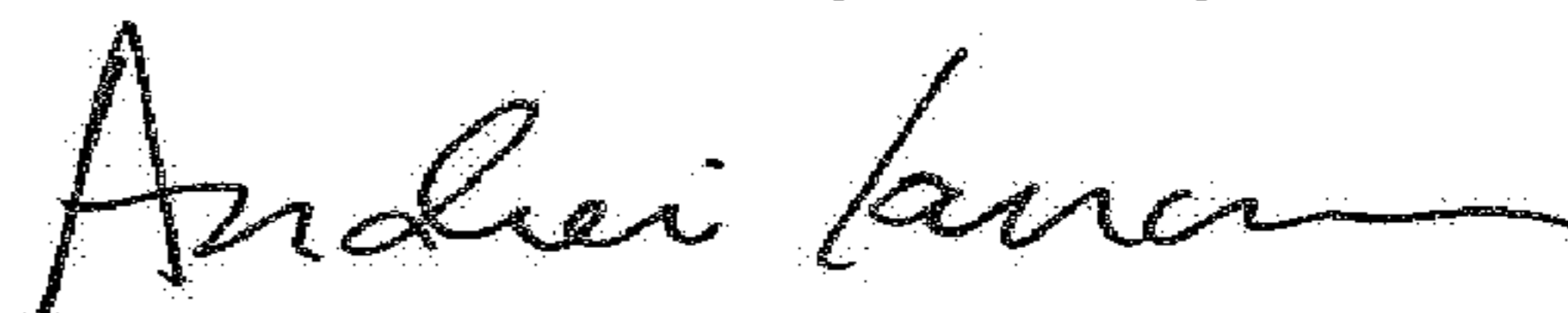
It is certified that error appears in the above-identified patent and that said Letters Patent is hereby corrected as shown below:

On the Title Page

Description

Column 2 Line 14 “FIGURE 11 an enlarged view” should read
--FIGURE 11 is an enlarged view--

Signed and Sealed this
Seventeenth Day of July, 2018



Andrei Iancu
Director of the United States Patent and Trademark Office