



US00D812045S

(12) **United States Design Patent**
Howard

(10) **Patent No.:** **US D812,045 S**

(45) **Date of Patent:** **** Mar. 6, 2018**

- (54) **ANTENNA**
- (71) Applicant: **Avery Dennison Retail Information Services, LLC**, Westborough, MA (US)
- (72) Inventor: **Norman A. Howard**, Ilford (GB)
- (73) Assignee: **EVERY DENNISON RETAIL INFORMATION SERVICES, LLC**, Mentor, OH (US)
- (**) Term: **15 Years**
- (21) Appl. No.: **29/580,205**
- (22) Filed: **Oct. 6, 2016**
- (51) **LOC (11) Cl.** **14-03**
- (52) **U.S. Cl.**
USPC **D14/230**
- (58) **Field of Classification Search**
USPC D12/42, 43; D14/138, 230-238.1, 240, D14/299, 358
CPC H01L 33/48; H01L 23/02; H01Q 7/00; H01Q 13/10
See application file for complete search history.

(56) **References Cited**

U.S. PATENT DOCUMENTS

- D710,338 S * 8/2014 Forster D14/230
- 8,830,066 B2 * 9/2014 Chen G06K 19/07745
206/119
- 9,070,563 B2 * 6/2015 Yamazaki H01Q 1/36
- D756,336 S * 5/2016 Podduturi D14/230
- D761,235 S * 7/2016 Man D14/230
- D763,833 S * 8/2016 Burkholder D14/230

- D764,447 S * 8/2016 Yang D14/230
- D767,544 S * 9/2016 Yang D14/230
- D775,109 S * 12/2016 Forster D14/230
- D776,093 S * 1/2017 Forster D14/230
- D791,744 S * 7/2017 Forster D14/230
- D793,998 S * 8/2017 He D14/230
- D796,492 S * 9/2017 He D14/230
- 2004/0222936 A1 * 11/2004 Hung H01Q 1/38
343/795
- 2006/0208900 A1 * 9/2006 Tavassoli
Hozouri G06K 19/07749
340/572.7
- 2008/0143630 A1 * 6/2008 Kato G06K 19/07749
343/795
- 2008/0150829 A1 * 6/2008 Lin G06F 1/1616
343/860
- 2010/0134292 A1 * 6/2010 Deavours H01Q 1/38
340/572.7
- 2012/0229348 A1 * 9/2012 Chiang H01Q 1/2266
343/702

* cited by examiner

Primary Examiner — John Windmuller
Assistant Examiner — Benjamin Weeks
 (74) *Attorney, Agent, or Firm* — Avery Dennison Retail Information Services, LLC

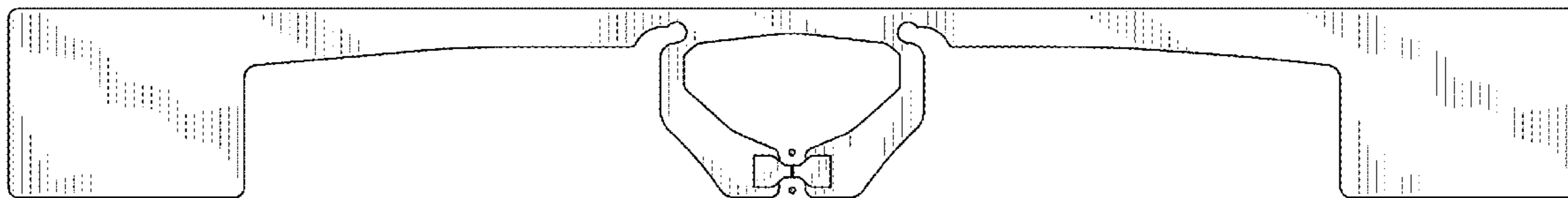
(57) **CLAIM**

The ornamental design for an antenna, as shown and described.

DESCRIPTION

FIG. 1 is an isometric view of an antenna showing my new design; and,
 FIG. 2 is a top view of the new antenna design.

1 Claim, 2 Drawing Sheets



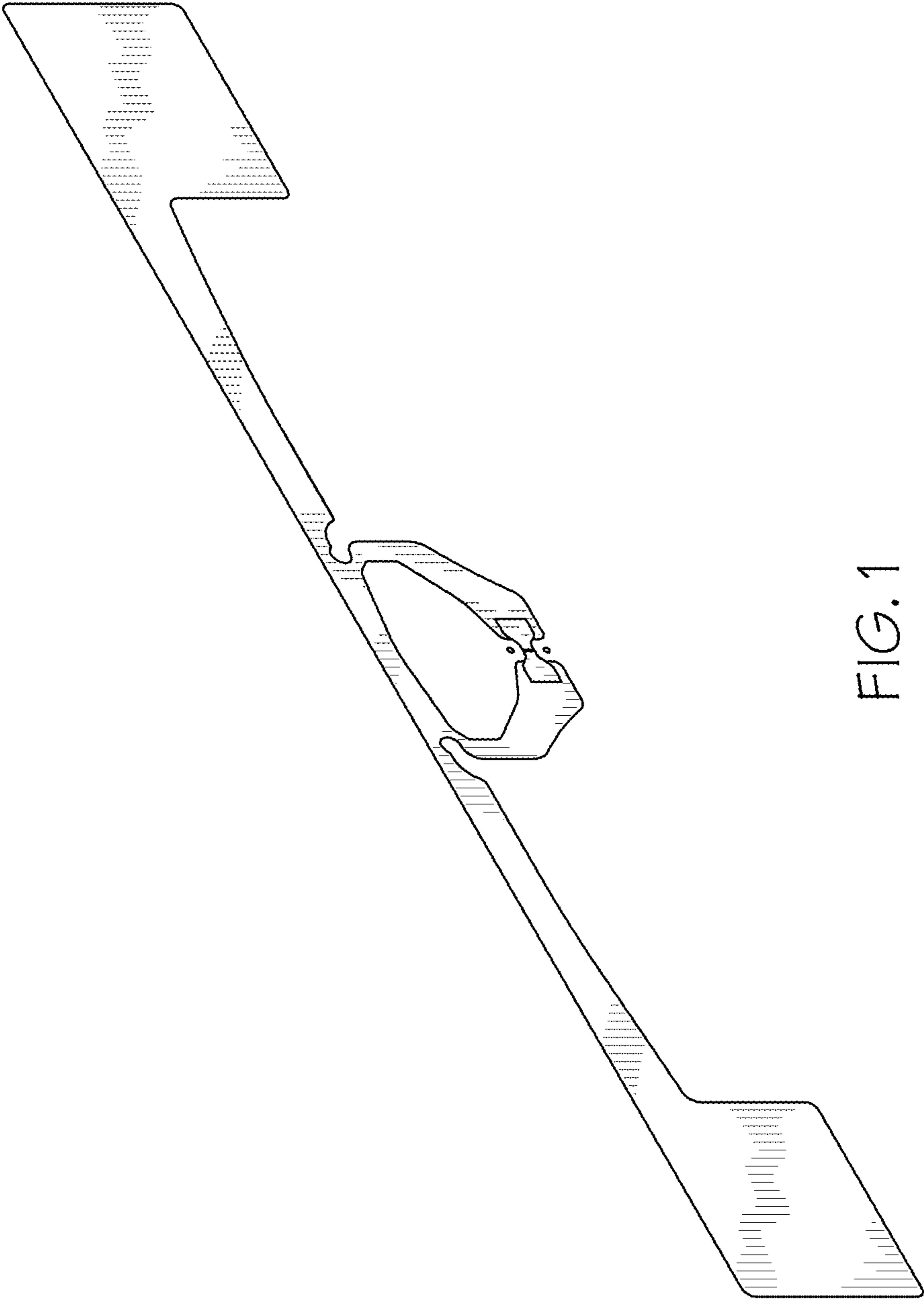


FIG. 1

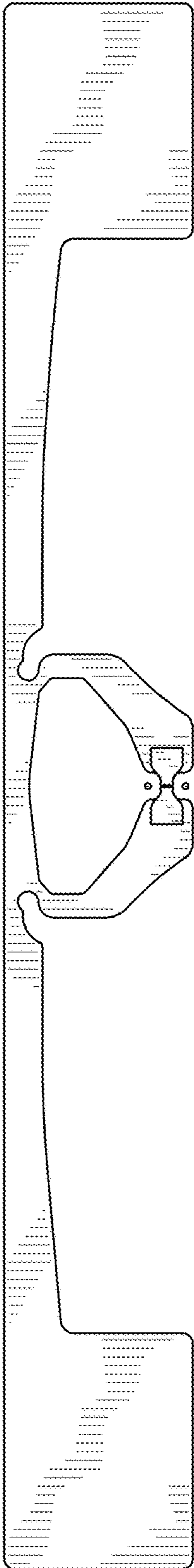


FIG. 2