



US00D812043S

(12) **United States Design Patent**
Williams, Sr.

(10) **Patent No.:** **US D812,043 S**
(45) **Date of Patent:** **** Mar. 6, 2018**

- (54) **MICROPHONE**
- (71) Applicant: **Andrew Williams, Sr.**, Roosevelt, NY (US)
- (72) Inventor: **Andrew Williams, Sr.**, Roosevelt, NY (US)
- (**) Term: **15 Years**
- (21) Appl. No.: **29/559,586**
- (22) Filed: **Mar. 30, 2016**
- (51) **LOC (11) Cl.** **14-01**
- (52) **U.S. Cl.**
USPC **D14/228**
- (58) **Field of Classification Search**
USPC D14/188, 192, 206, 240, 154, 155, 158, D14/159, 217, 218, 225–229, 496, 497; D17/10, 22, 24, 99; D3/14, 217, 232, D3/246, 294, 307, 318, 327, 328.1; D8/25, 52, 62, 83, 89, 97, 105, 107, 302, D8/316, 356, 367, 376; D22/109; D9/447, 448, 456, 531
CPC H04R 1/326; H04R 1/406; H04R 1/08; H04R 19/04; H04R 1/04; H04R 9/08; H04R 1/083
See application file for complete search history.

(56) **References Cited**

U.S. PATENT DOCUMENTS

- D213,051 S * 12/1968 Herrold, III D14/228
- D230,990 S * 3/1974 Kollesberger, Jr. D14/228
- D271,937 S * 12/1983 Combs 16/421
- D310,368 S * 9/1990 Derhaag D14/225
- D362,588 S * 9/1995 Cohen D7/395
- 5,706,359 A * 1/1998 Chang H04R 1/08
381/355
- D401,963 S * 12/1998 Schneider D14/217
- D424,775 S * 5/2000 Rabinowitz D34/27

- 6,061,457 A * 5/2000 Stockhamer H04R 1/00
367/140
- D433,910 S * 11/2000 Oliver D8/107
- D462,343 S * 9/2002 Wang D14/225
- D475,699 S * 6/2003 Thornton D14/228
- D479,836 S * 9/2003 Thornton D14/228
- 6,671,382 B2 * 12/2003 Chen H01R 35/02
381/189
- D504,678 S * 5/2005 Ruhrig D14/228
- D508,720 S * 8/2005 Yuen D14/158
- D533,761 S * 12/2006 Lin D8/107
- 7,155,024 B2 * 12/2006 Chang H04R 1/083
381/355
- D549,209 S * 8/2007 Bauman D14/155
- D557,690 S * 12/2007 Lee D14/228
- D575,771 S * 8/2008 Tolve D14/192
- D585,434 S * 1/2009 Ganley D14/225
- D587,250 S * 2/2009 Cai D14/227

(Continued)

Primary Examiner — Cathron C Brooks

Assistant Examiner — Sharon S Oum

(74) *Attorney, Agent, or Firm* — Allen Dyer Doppelt & Gilchrist, PA

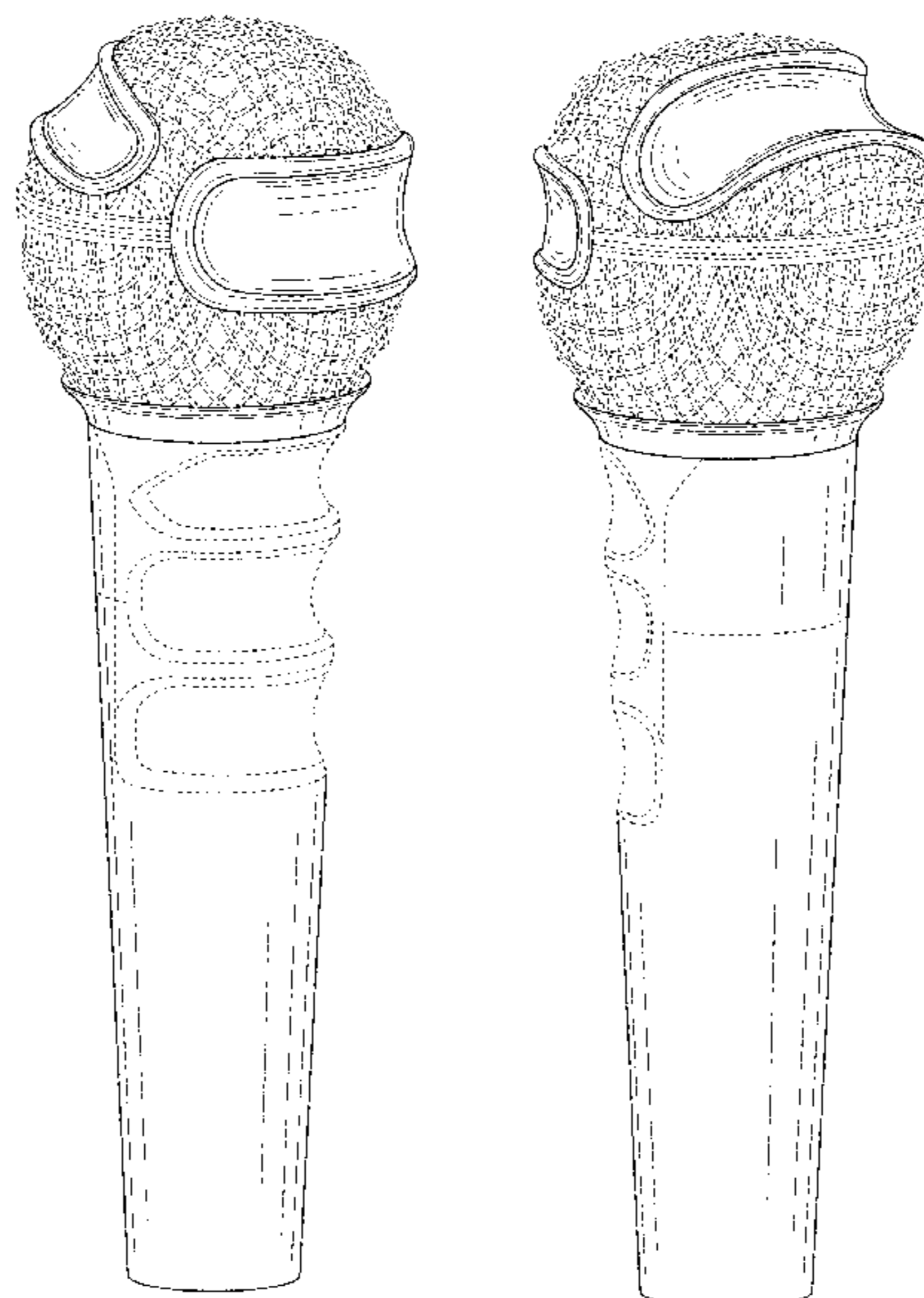
(57) **CLAIM**

The ornamental design for a microphone, as shown and described.

DESCRIPTION

FIG. 1 is a front, left, top, perspective view of a microphone; FIG. 2 is a back, right, top perspective view of the microphone of FIG. 1; FIG. 3 is a front view of the microphone of FIG. 1; FIG. 4 is a back view of the microphone of FIG. 1; FIG. 5 is a left side view of the microphone of FIG. 1; FIG. 6 is a right side view of the microphone of FIG. 1; FIG. 7 is a top view of the microphone of FIG. 1; and, FIG. 8 is a bottom view of the microphone of FIG. 1. Broken lines illustrate portions of the microphone and form no part of the claimed design.

1 Claim, 7 Drawing Sheets



(56)

References Cited

U.S. PATENT DOCUMENTS

D589,033	S	*	3/2009	Thusbass	D14/228
D598,011	S	*	8/2009	Thusbass	D14/225
D642,889	S	*	8/2011	Boehm	D8/107
D678,253	S	*	3/2013	Lee	D14/225
D687,421	S	*	8/2013	Slaton	D14/229
D713,391	S	*	9/2014	Ibuki	D14/228
D735,171	S	*	7/2015	Sunwoo	D14/225
D755,760	S	*	5/2016	Ely	D14/225
D773,276	S	*	12/2016	Ou	D8/107
D788,560	S	*	6/2017	Fisher	D8/107
2017/0171654	A1	*	6/2017	Akino	H04R 1/083

* cited by examiner

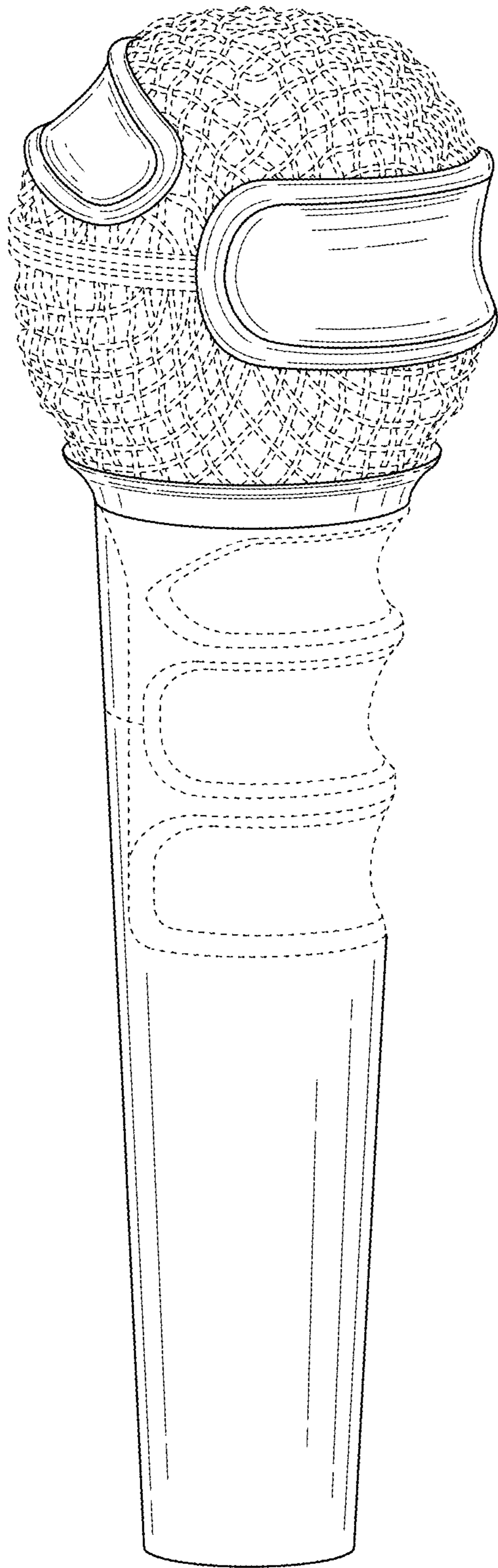


FIG. 1

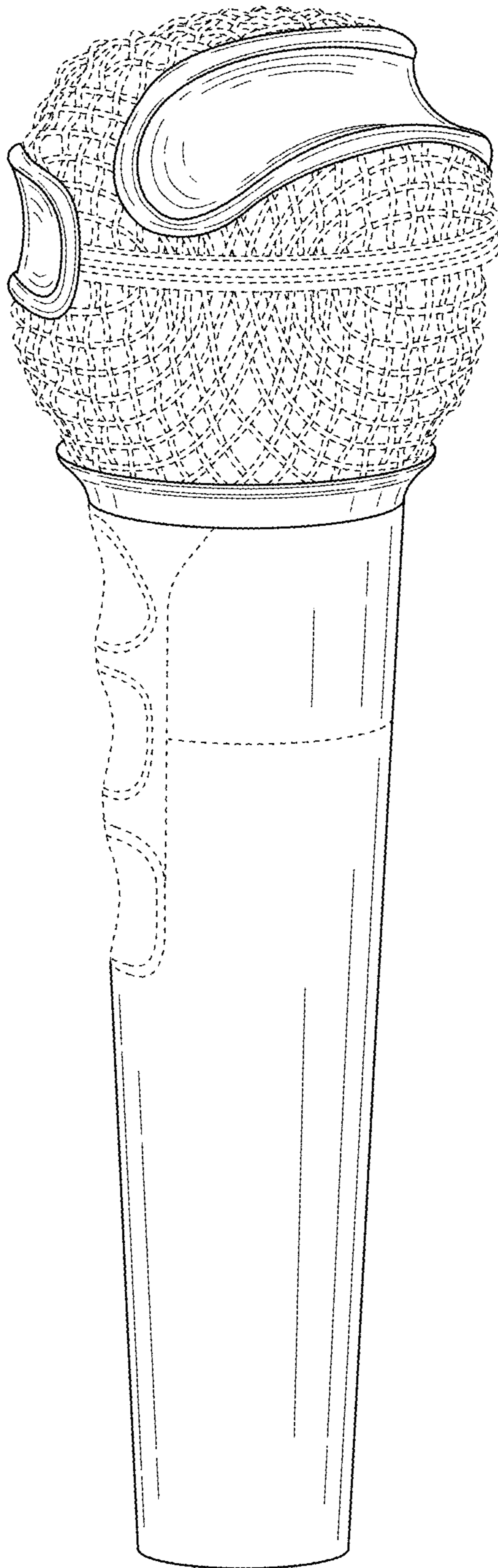


FIG. 2

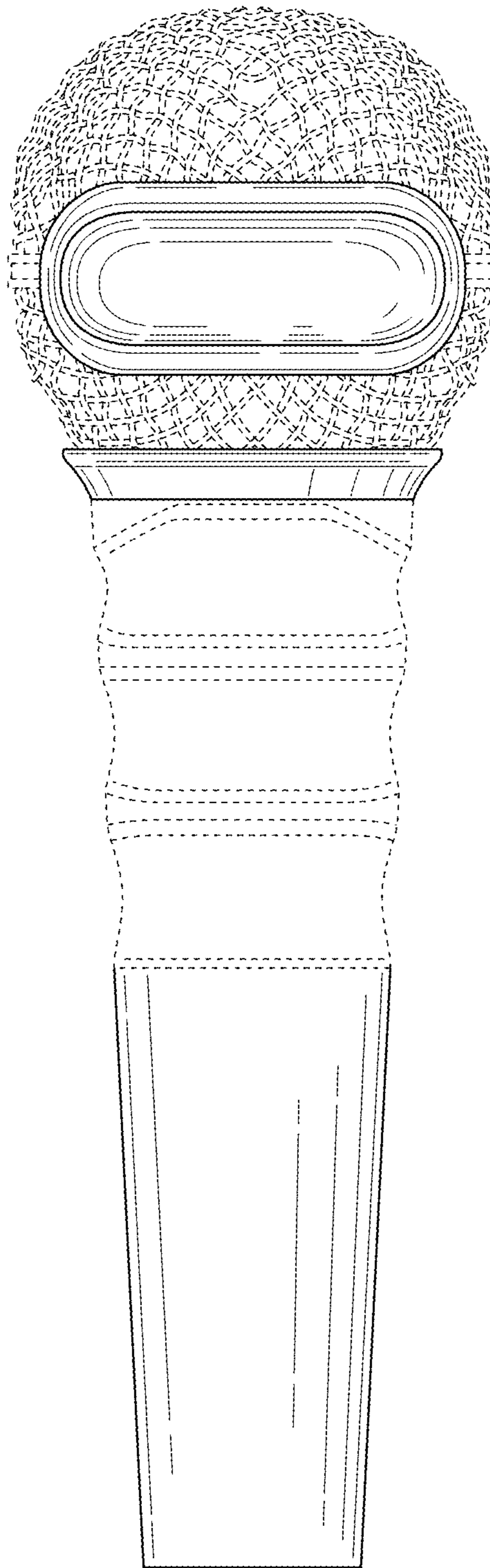


FIG. 3

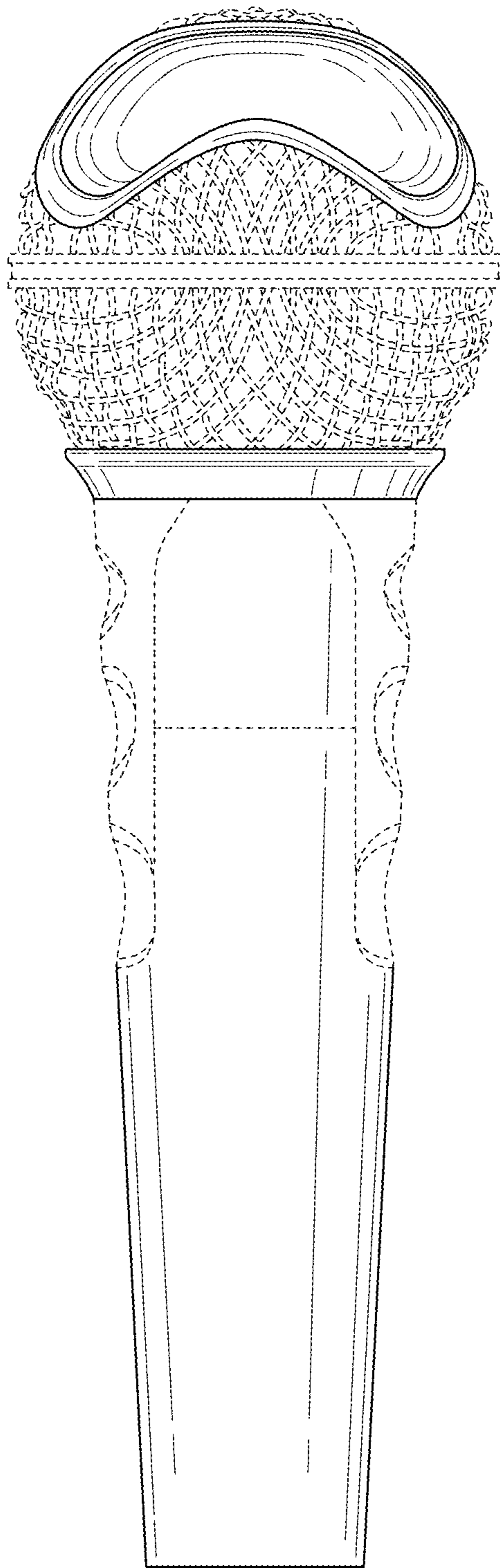


FIG. 4

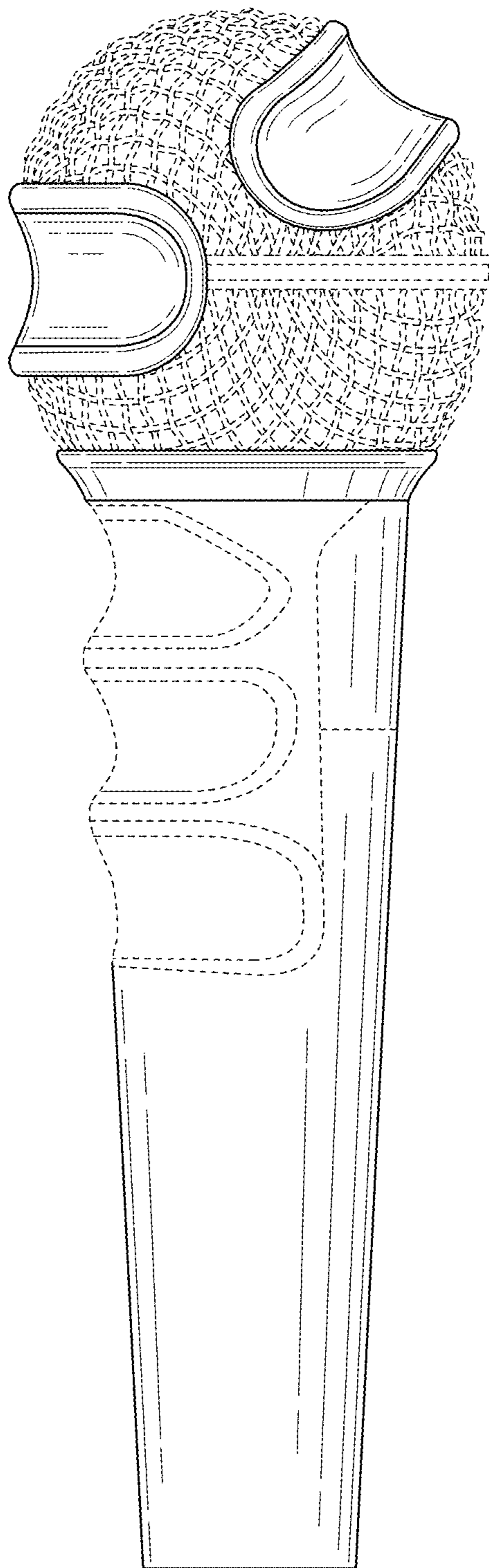


FIG. 5

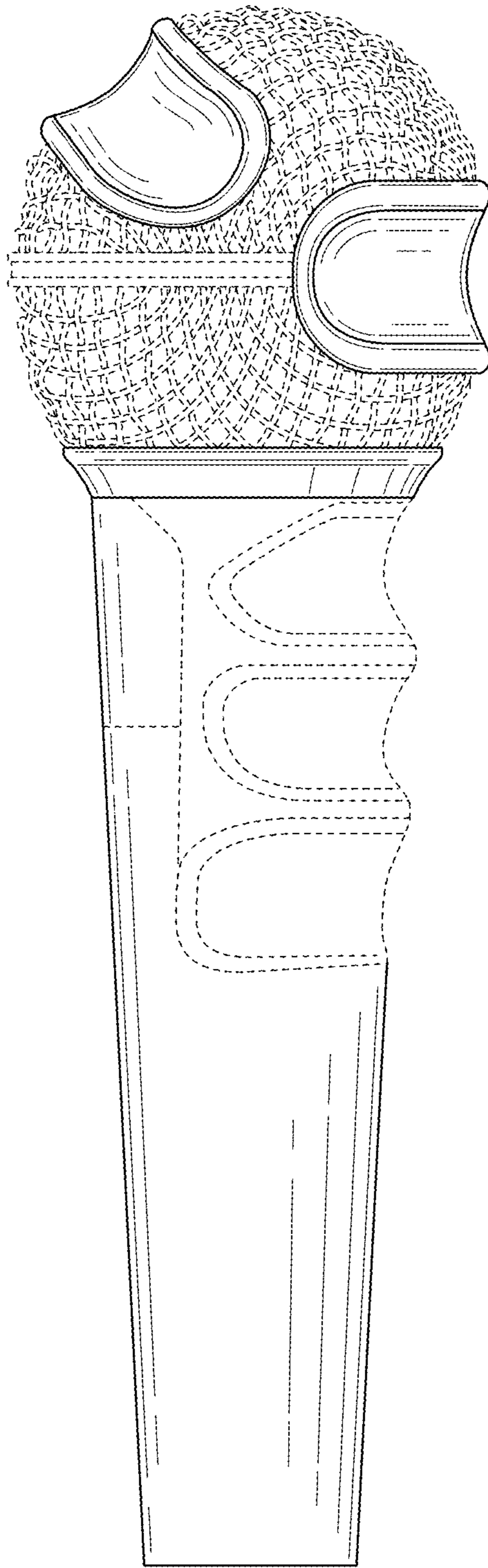


FIG. 6

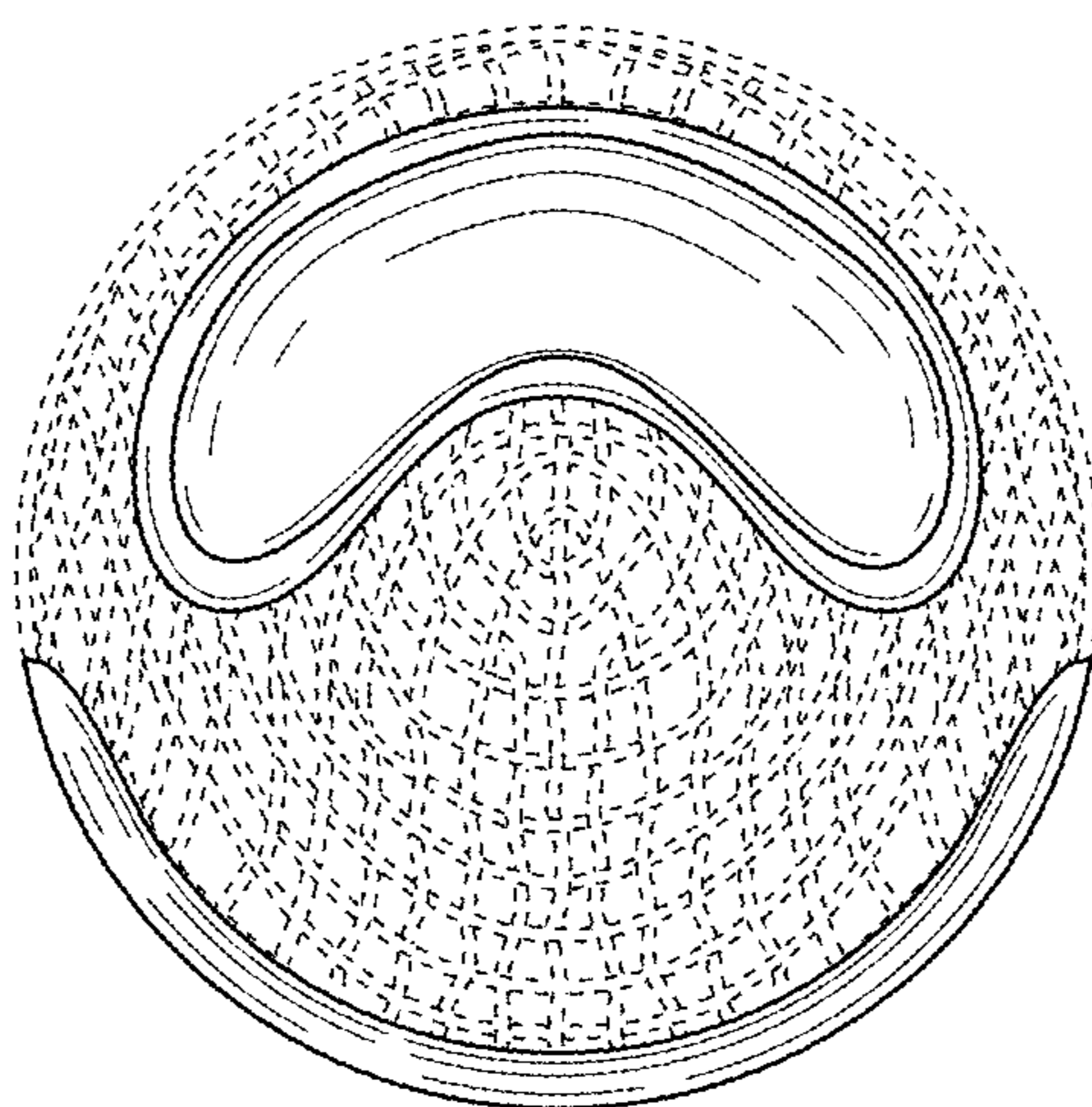


FIG. 7

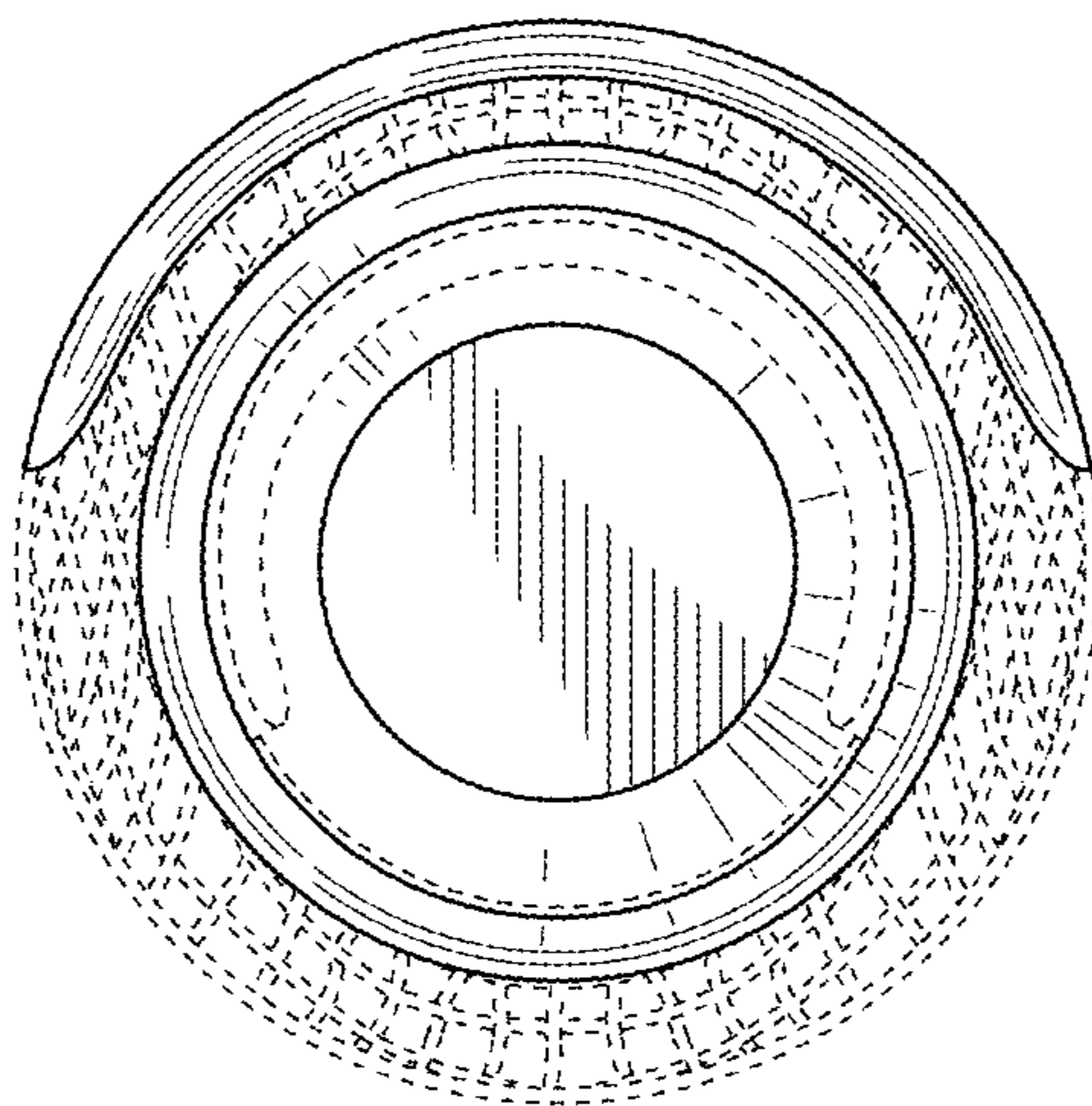


FIG. 8