



US00D812039S

(12) **United States Design Patent**  
**Narasaki et al.**

(10) **Patent No.:** **US D812,039 S**  
(45) **Date of Patent:** **\*\* Mar. 6, 2018**

- (54) **HEADSET**
- (71) Applicant: **BONX INC.**, Shinagawa-ku (JP)
- (72) Inventors: **Yuta Narasaki**, Tokyo (JP); **Takahiro Miyasaka**, Tokyo (JP); **Akihiro Momozaki**, Tokyo (JP)
- (73) Assignee: **BONX INC.**, Tokyo (JP)
- (\*\*) Term: **15 Years**
- (21) Appl. No.: **35/500,767**
- (22) Filed: **Sep. 30, 2015**
- (80) **Hague Agreement Data**  
 Int. Filing Date: **Sep. 30, 2015**  
 Int. Reg. No.: **DM/088050**  
 Int. Reg. Date: **Sep. 30, 2015**  
 Int. Reg. Pub. Date: **Apr. 1, 2016**
- (51) **LOC (11) Cl.** ..... **14-01**
- (52) **U.S. Cl.**  
USPC ..... **D14/205**
- (58) **Field of Classification Search**  
USPC ..... D14/204–206, 217, 223  
CPC .... H04M 1/05; H04M 1/6066; H04R 1/1066;  
H04R 2201/109  
See application file for complete search history.

- D613,267 S \* 4/2010 Suwalski ..... D14/206
- D616,419 S \* 5/2010 Suwalski ..... D14/206
- 7,708,110 B2 \* 5/2010 Leong ..... A61F 11/08  
128/867
- D617,771 S \* 6/2010 Groves ..... D14/205
- D617,778 S \* 6/2010 Birger ..... D14/223
- D617,780 S \* 6/2010 Jaakkola ..... D14/223
- D621,817 S \* 8/2010 Brickstad ..... D14/223
- D624,529 S \* 9/2010 Huang ..... D14/206
- D628,565 S \* 12/2010 Wu ..... D14/223
- D634,305 S \* 3/2011 Hoggarth ..... D14/223
- D634,736 S \* 3/2011 Wikel ..... D14/223
- 7,925,037 B2 \* 4/2011 Te Riet ..... H04M 1/05  
381/330
- D684,145 S \* 6/2013 Rath ..... D14/206
- D700,588 S \* 3/2014 Fisher ..... D14/138 R
- D704,158 S \* 5/2014 Fisher ..... D14/138 R
- D710,325 S \* 8/2014 Behar ..... H04R 5/033  
D14/205
- D711,851 S \* 8/2014 Houghton ..... D14/206
- D715,256 S \* 10/2014 Jiang ..... D14/206
- D717,767 S \* 11/2014 Mistry ..... D14/206
- D723,511 S \* 3/2015 Pedersen ..... D14/206
- D730,868 S \* 6/2015 Birger ..... D14/206
- D735,698 S \* 8/2015 Karrman ..... D14/223

(Continued)

*Primary Examiner* — Melanie H Tung  
*Assistant Examiner* — Bao-Yen Nguyen

(57) **CLAIM**

The ornamental design for a headset, as shown and described.

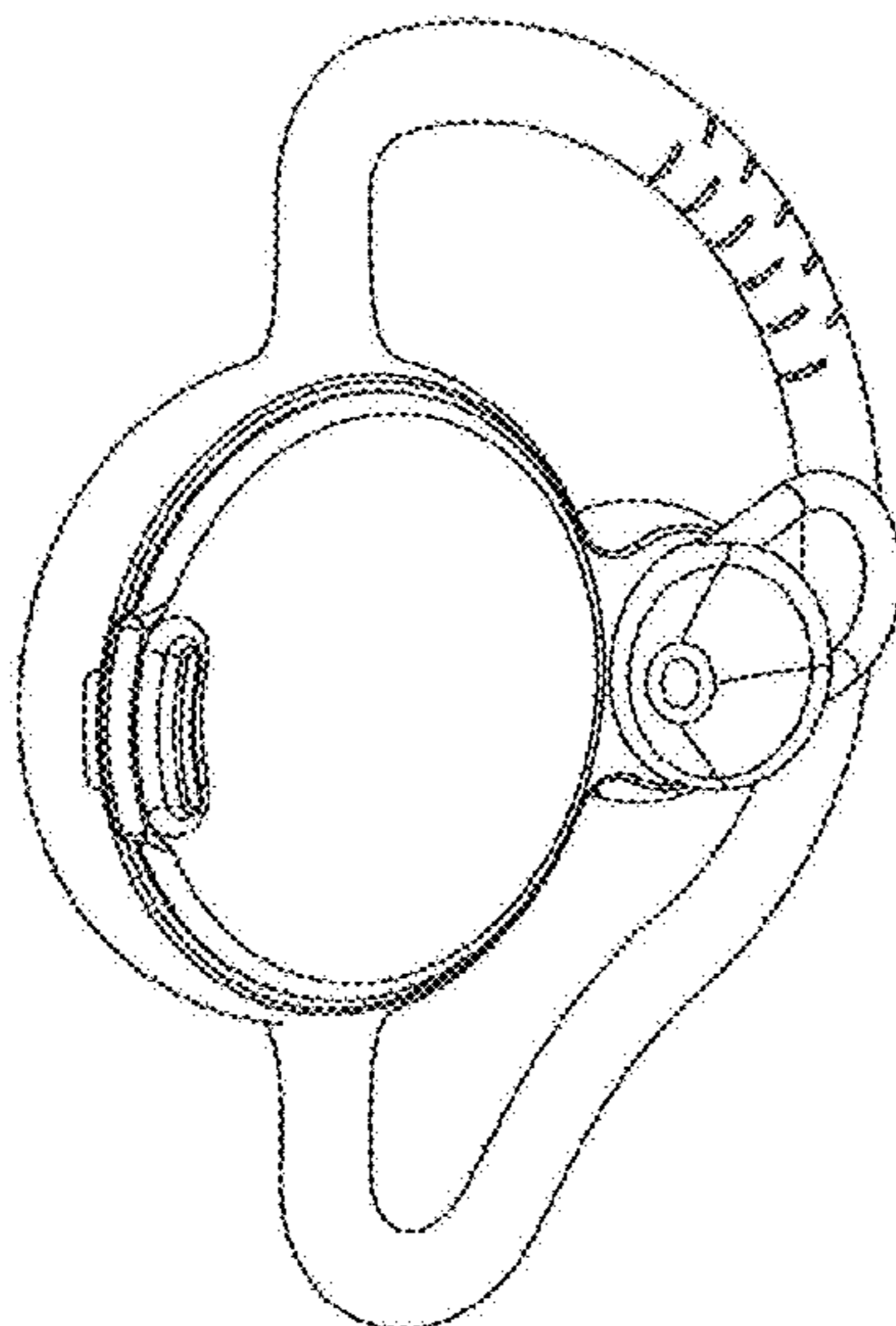
**DESCRIPTION**

- 1.1** is a front perspective view of the headset,
- 1.2** is a back perspective view of the headset,
- 1.3** is a front view of the headset,
- 1.4** is a back view of the headset,
- 1.5** is a top view of the headset,
- 1.6** is a bottom view of the headset,
- 1.7** is a left view of the headset; and
- 1.8** is a right view of the headset.

**1 Claim, 8 Drawing Sheets**

(56) **References Cited**  
U.S. PATENT DOCUMENTS

- D495,316 S \* 8/2004 Huisken ..... D14/205
- D509,823 S \* 9/2005 Han ..... D14/223
- D514,549 S \* 2/2006 Rath ..... D14/223
- D538,268 S \* 3/2007 Gibson ..... D14/223
- D538,270 S \* 3/2007 Kim ..... D14/223
- D575,278 S \* 8/2008 Guccione ..... D14/223
- D584,720 S \* 1/2009 Houy ..... D14/223
- D586,329 S \* 2/2009 Birger ..... D14/205
- D604,722 S \* 11/2009 Mistry ..... D14/223



(56)

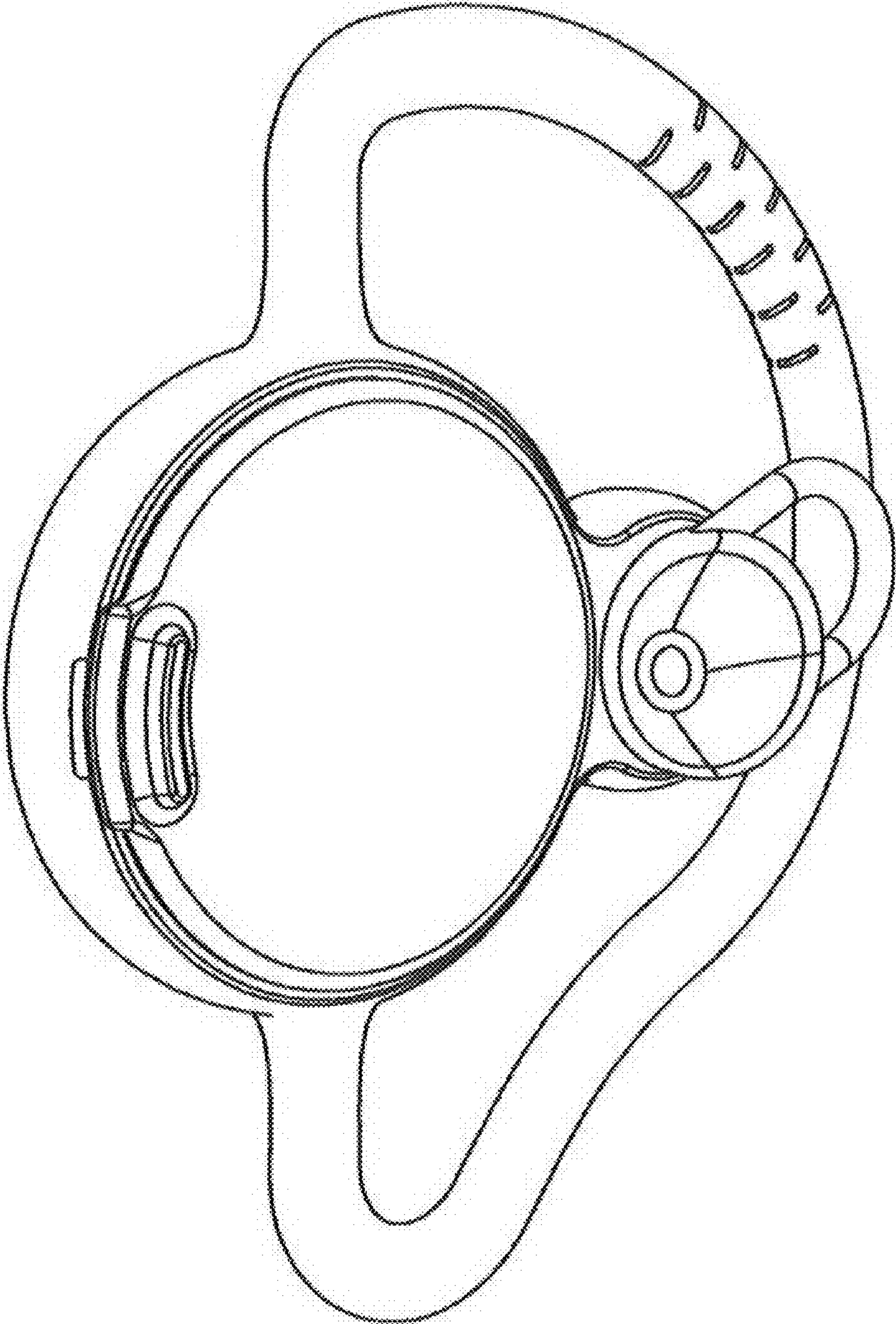
**References Cited**

U.S. PATENT DOCUMENTS

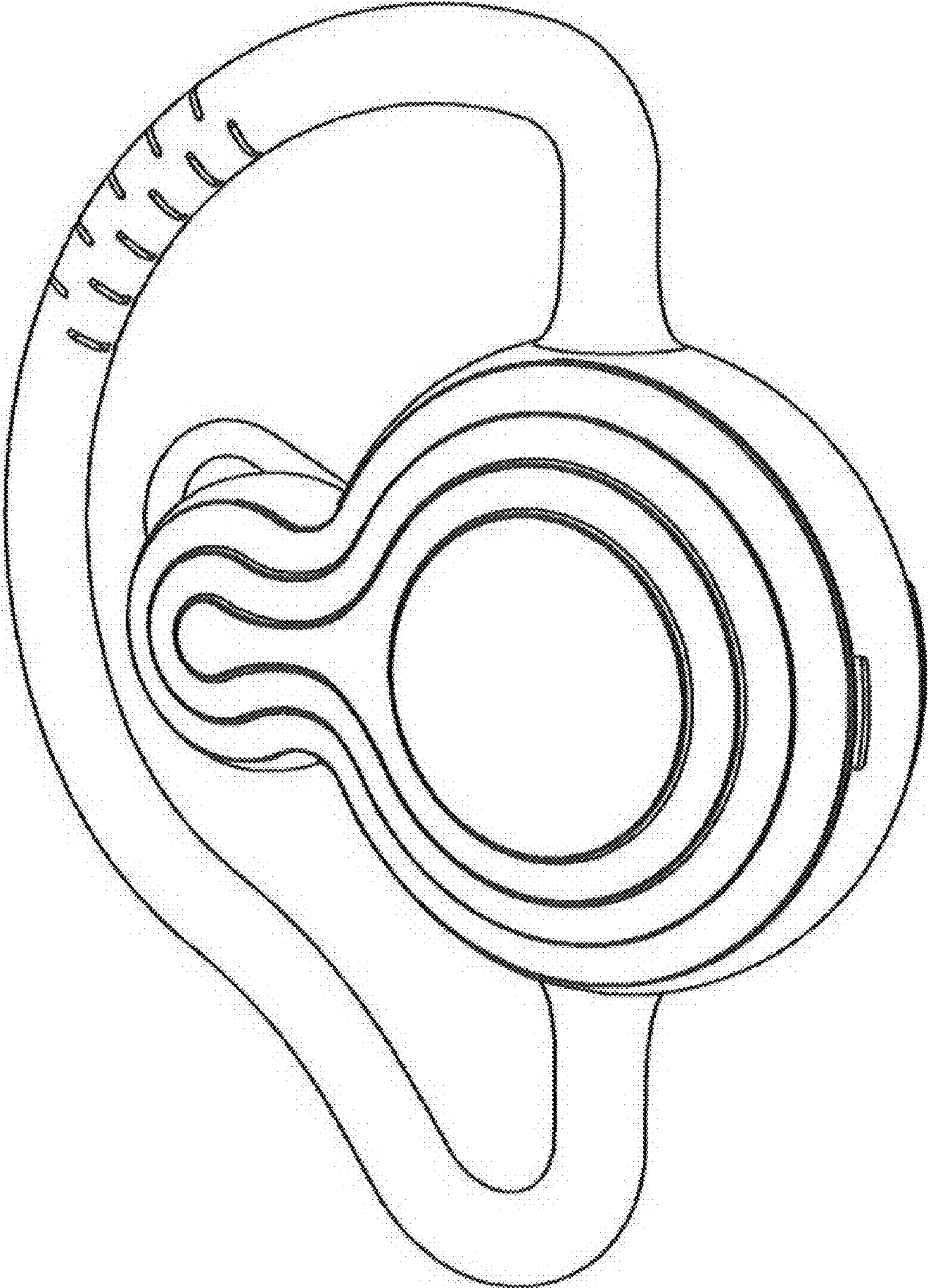
D746,260 S \* 12/2015 Goransson ..... D14/206  
D755,159 S \* 5/2016 Birger ..... D14/206  
D756,971 S \* 5/2016 Park ..... D14/223

\* cited by examiner

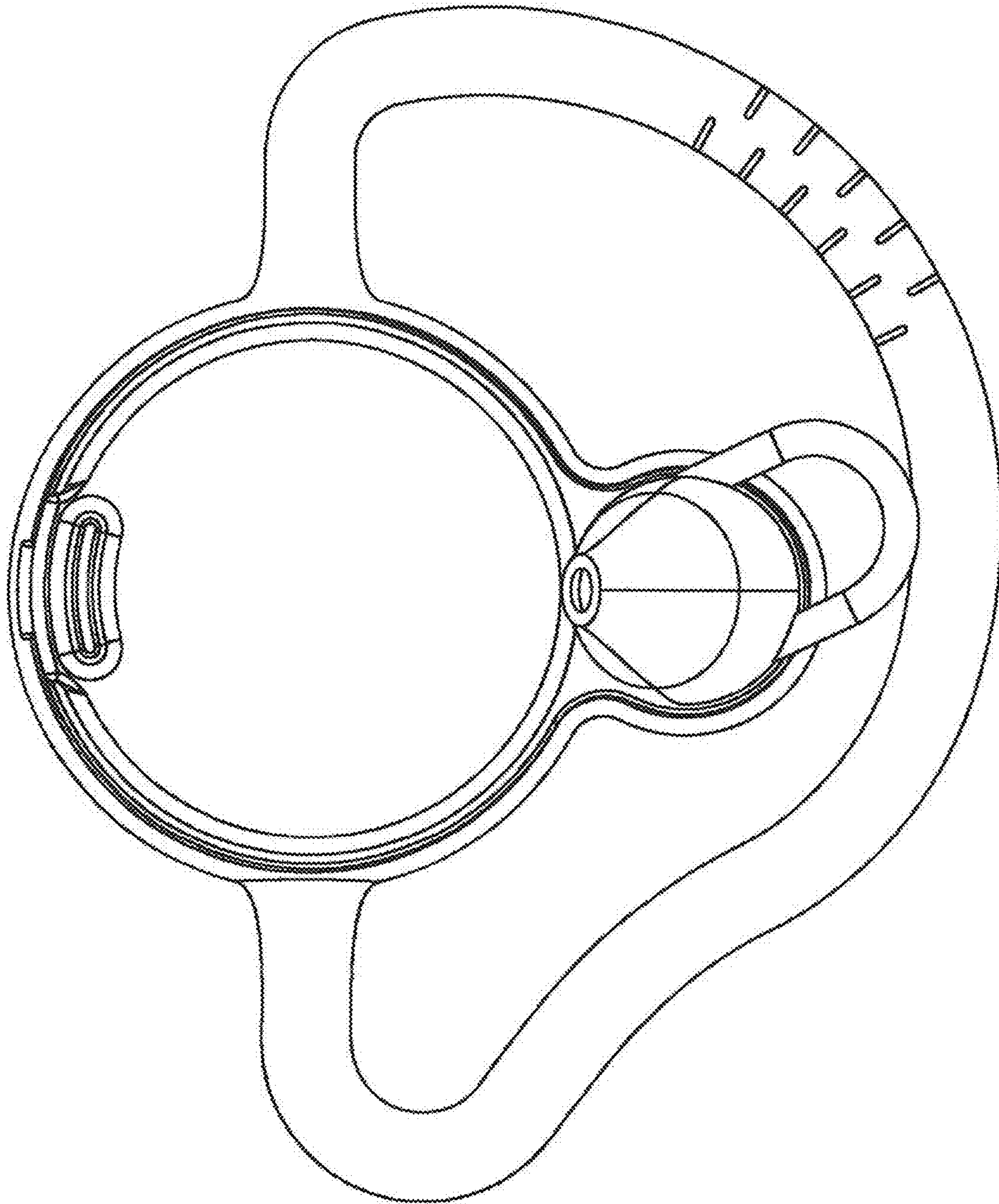
1.1



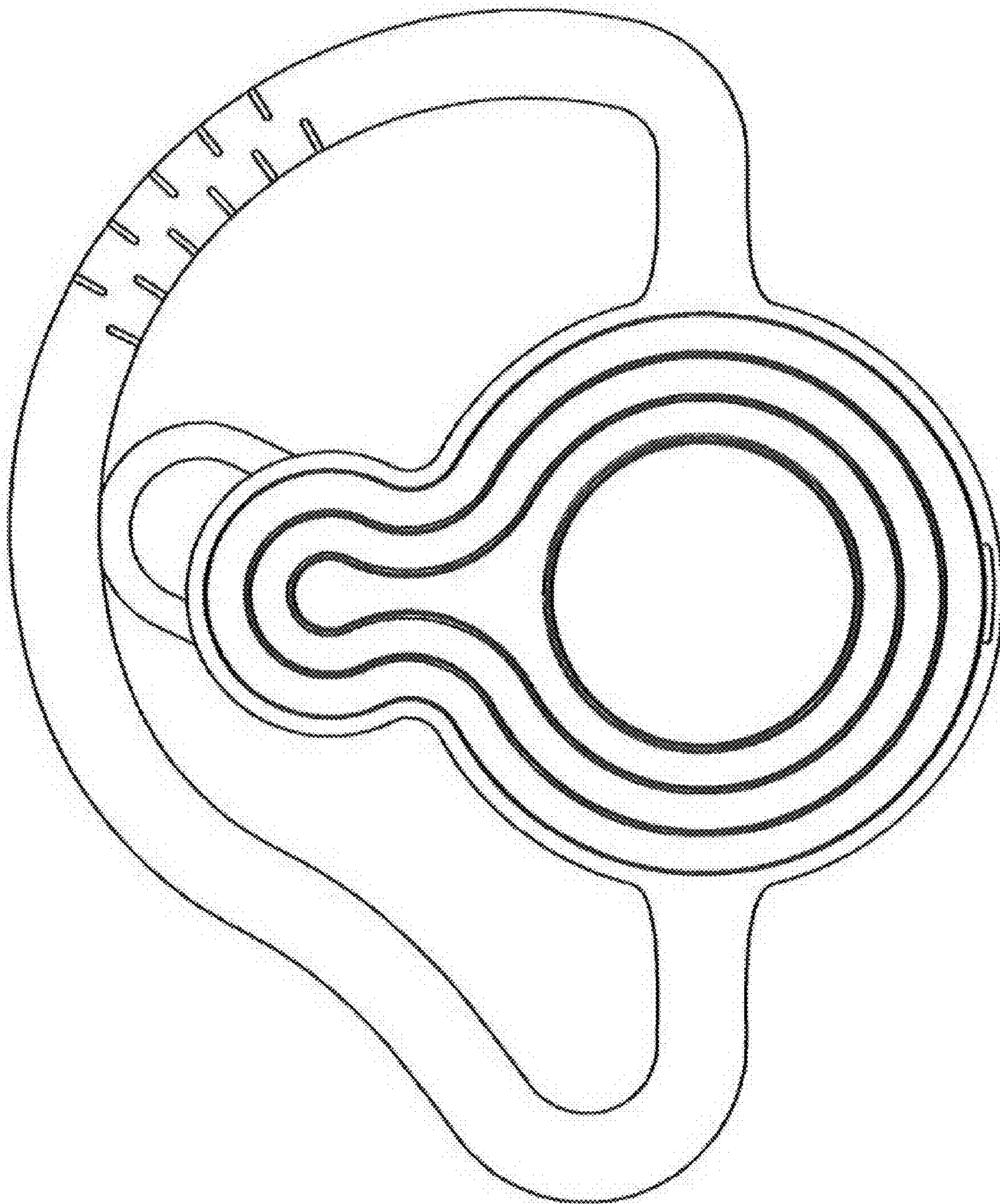
1.2



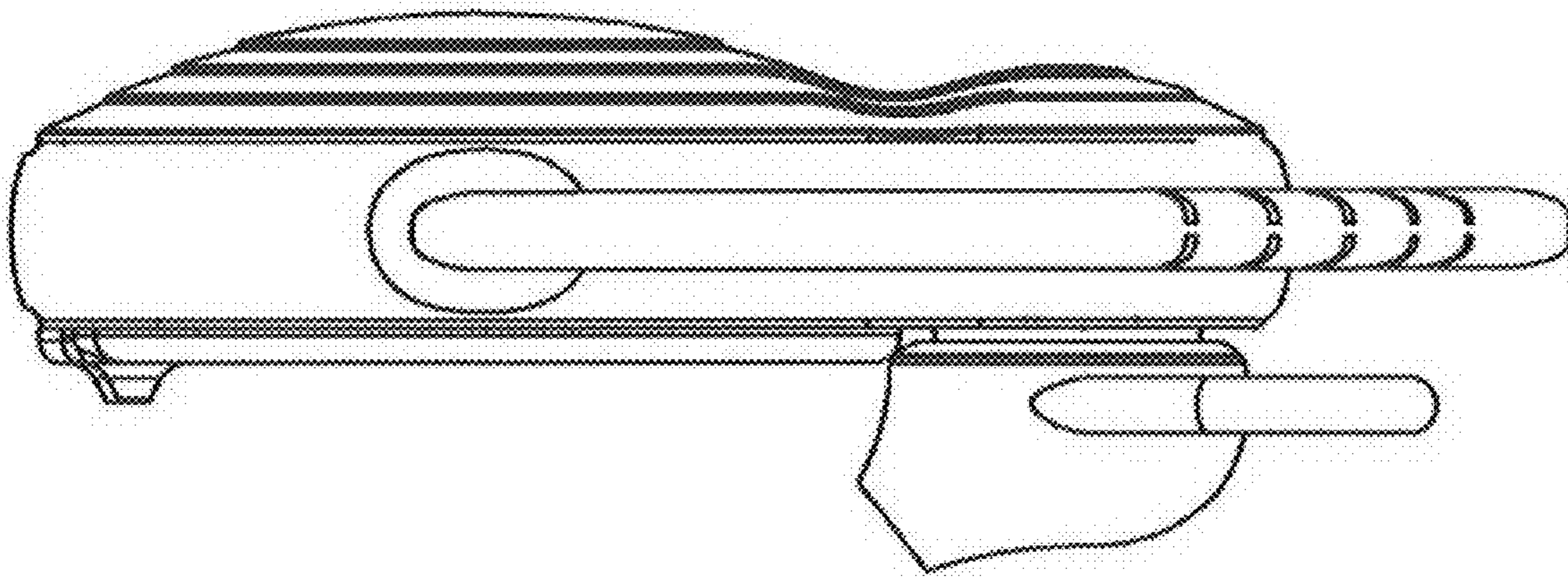
1.3



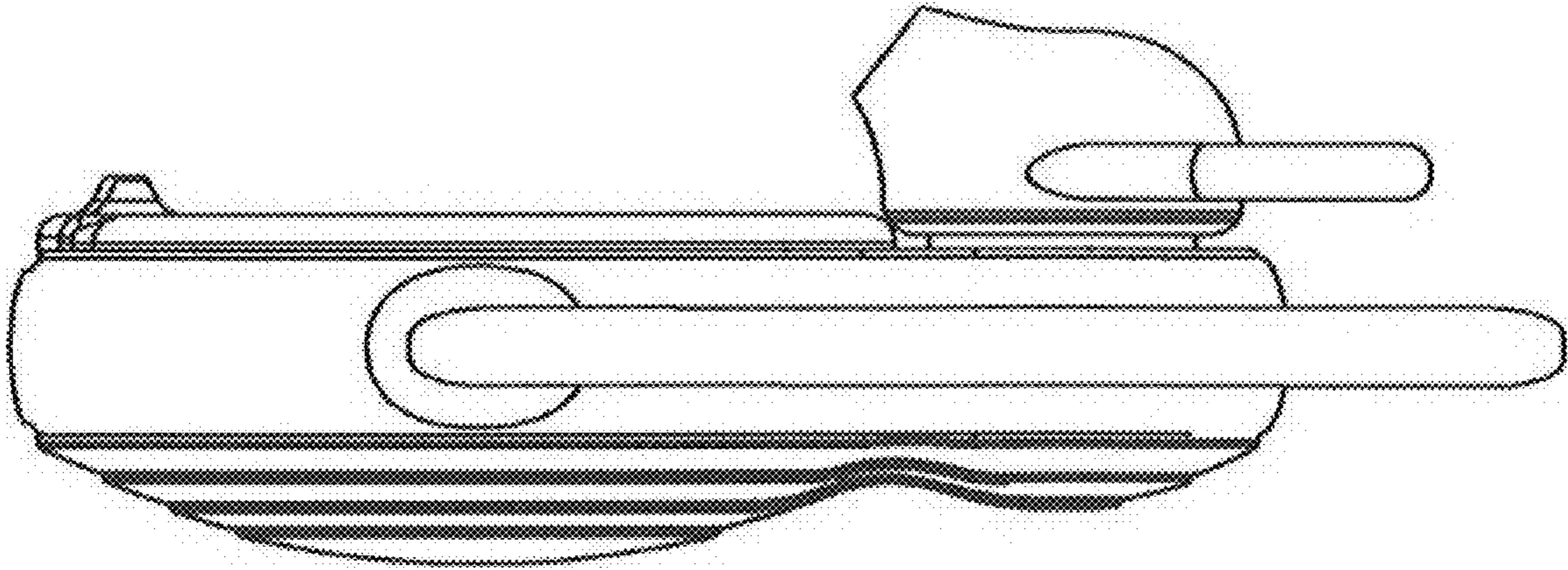
1.4



1.5

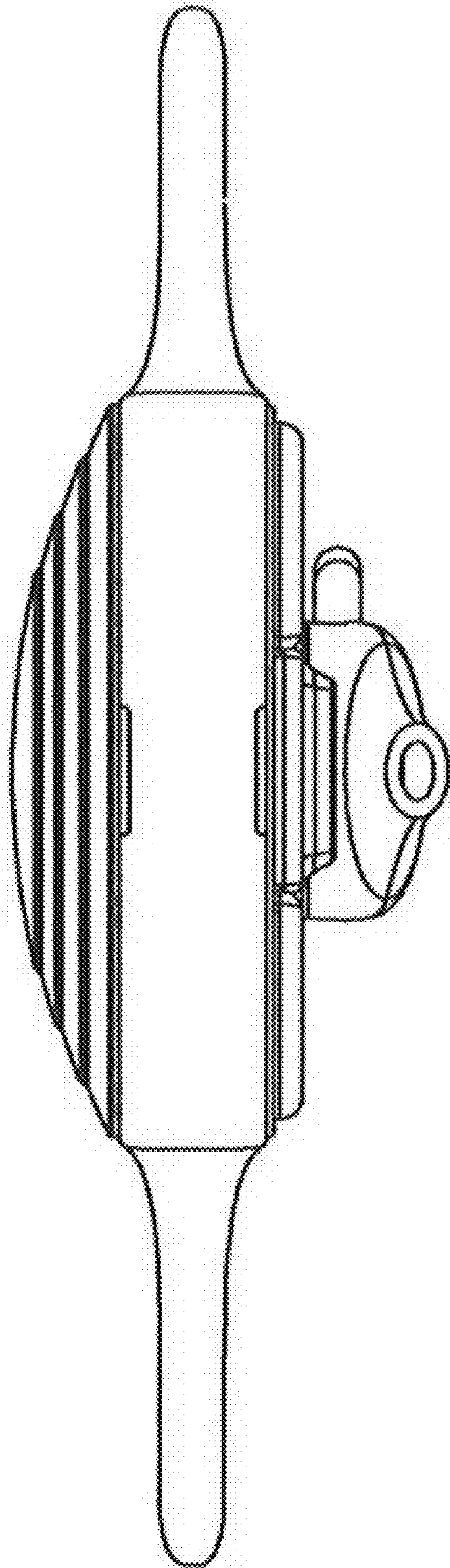


**1.6**





1.7



# 1.8

