



US00D812037S

(12) **United States Design Patent**
Petersen

(10) **Patent No.:** **US D812,037 S**
(45) **Date of Patent:** **** Mar. 6, 2018**

- (54) **FOLDABLE HEADPHONE**
- (71) Applicant: **Zound Industries International AB**,
Stockholm (SE)
- (72) Inventor: **Erik Petersen**, Stockholm (SE)
- (73) Assignee: **Zound Industries International AB**,
Stockholm (SE)
- (**) Term: **15 Years**
- (21) Appl. No.: **29/586,215**
- (22) Filed: **Dec. 1, 2016**
- (51) **LOC (11) Cl.** **14-01**
- (52) **U.S. Cl.**
USPC **D14/205**
- (58) **Field of Classification Search**
USPC D14/205; D29/112; 181/129, 130, 135;
379/430, 431; 381/380, 381.374, 375;
455/90.3
CPC H04R 1/1066; H04R 1/1016; H04R 25/00;
H04R 1/10; H04R 5/033; H04R 5/0335
See application file for complete search history.

(56) **References Cited**

U.S. PATENT DOCUMENTS

- 2,437,049 A * 3/1948 Salisbury A61F 11/14
128/866
- 3,562,816 A * 2/1971 Hutchinson A61F 11/14
2/209
- 3,579,640 A * 5/1971 Beguin et al. A61F 11/14
2/209
- D246,242 S * 11/1977 Bellini D14/205
- D246,259 S * 11/1977 Nishimura D14/205
- D292,205 S * 10/1987 Kikutani 381/378
- D300,133 S * 3/1989 Daidoh D14/205
- 5,369,857 A * 12/1994 Sacherman H04R 5/0335
29/594

- 5,809,573 A * 9/1998 Bary A61F 7/03
128/866
- 5,887,286 A * 3/1999 Waldron A61F 11/14
181/129
- 6,093,202 A * 7/2000 Dyken A61F 7/02
607/108
- D463,857 S * 10/2002 Dix D24/106
- D473,539 S * 4/2003 O'Leary D14/205
- 7,245,735 B2 * 7/2007 Han H04R 1/1008
379/430
- D616,418 S * 5/2010 Morisawa D14/205
- D633,471 S * 3/2011 Sugiyama D14/205
- D633,895 S * 3/2011 Morimoto D14/205
- D641,003 S * 7/2011 Alden D14/205
- D641,725 S * 7/2011 Chong D14/205
- D697,048 S * 1/2014 Pavitsich D14/205
- 8,755,555 B2 * 6/2014 Dougherty H04R 1/1066
381/370

(Continued)

Primary Examiner — Paula Greene

(74) *Attorney, Agent, or Firm* — Alonzo & Associates;
Arlyn Alonzo

(57) **CLAIM**

The ornamental design for a foldable headphone, as shown and described.

DESCRIPTION

FIG. 1 is a perspective view of an exemplary foldable headphone.

FIG. 2 is a front view thereof.

FIG. 3 is a rear view thereof.

FIG. 4 is a left side view thereof.

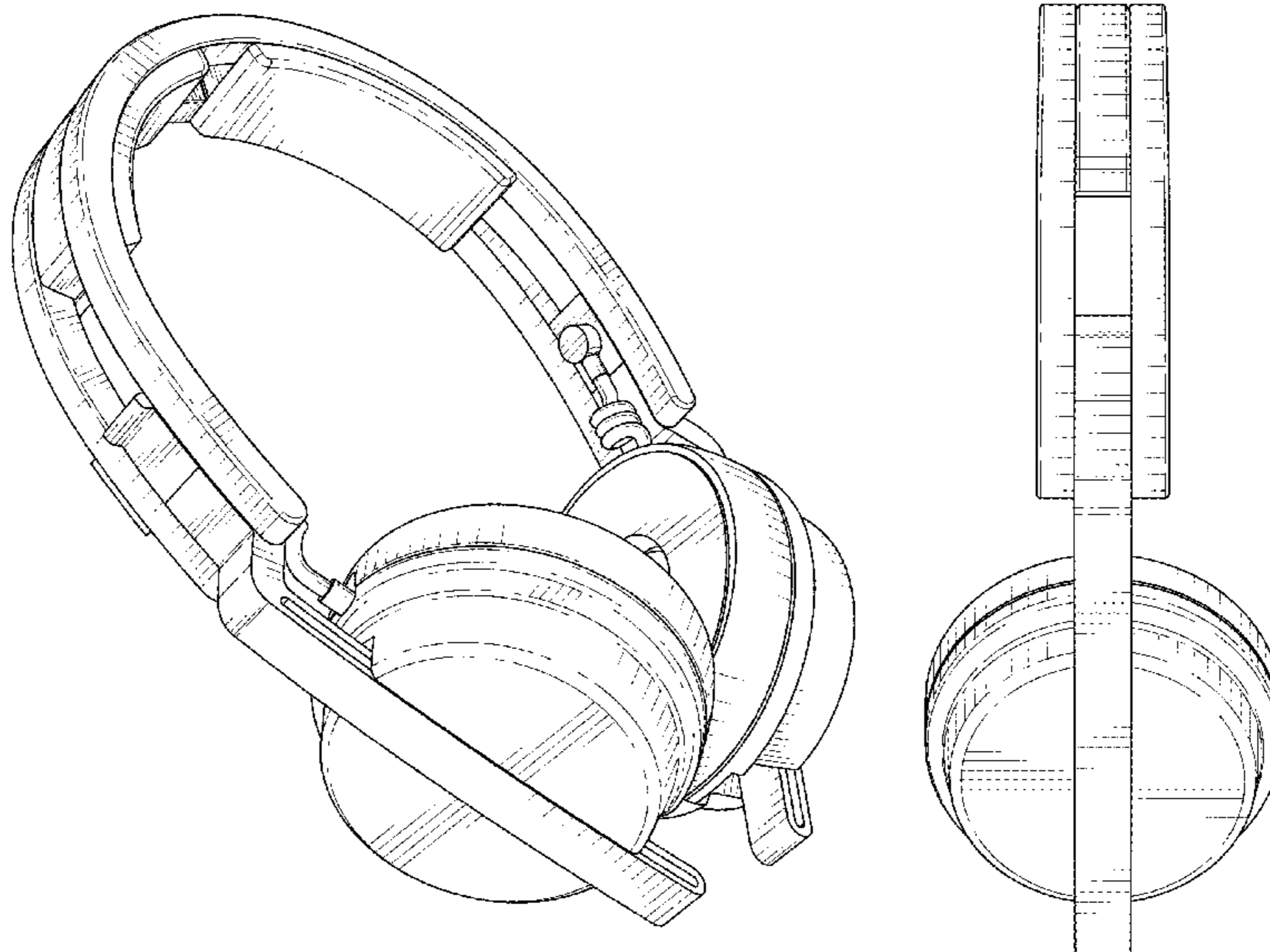
FIG. 5 is a right side view thereof.

FIG. 6 is a top view thereof; and,

FIG. 7 is a bottom view thereof.

The foldable headphone may be used for listening to music and/or audio signals, and may include a microphone for recording or transmitting music and/or audio signals. The foldable headphone may be a wired or a wireless device.

1 Claim, 5 Drawing Sheets



(56)

References Cited

U.S. PATENT DOCUMENTS

D713,374 S *	9/2014	Farrage	D14/205
D714,255 S *	9/2014	Sparks	D14/205
D715,251 S *	10/2014	Sparks	D14/205
D715,252 S *	10/2014	Sparks	D14/205
D721,055 S *	1/2015	Sparks	D14/206
D722,041 S *	2/2015	Sparks	D14/206
D724,562 S *	3/2015	Sparks	D14/206
D754,632 S *	4/2016	Matsumura	D14/205
9,635,451 B2 *	4/2017	Petersen	H04R 1/1058
2009/0205110 A1 *	8/2009	Chiang	A61F 11/06 2/209
2013/0087404 A1 *	4/2013	Peskar	A61F 11/14 181/129

* cited by examiner



FIG. 1



FIG. 2



FIG. 3

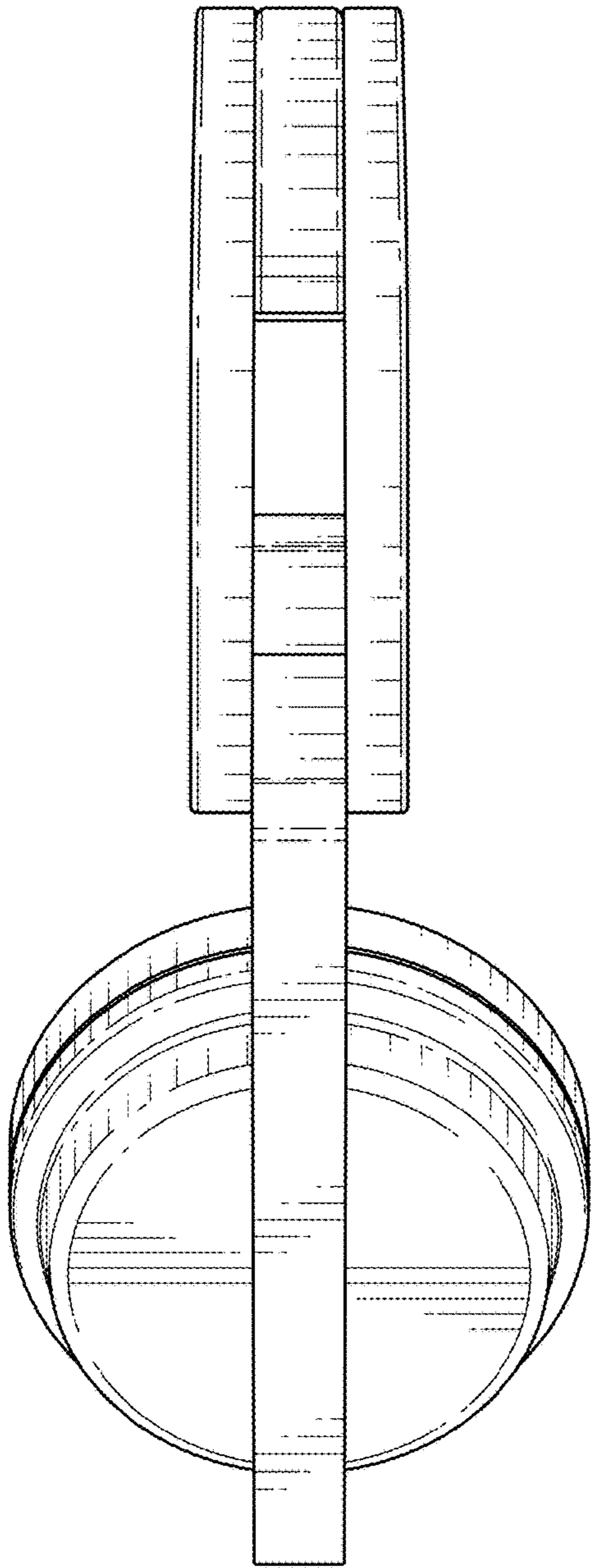


FIG. 4

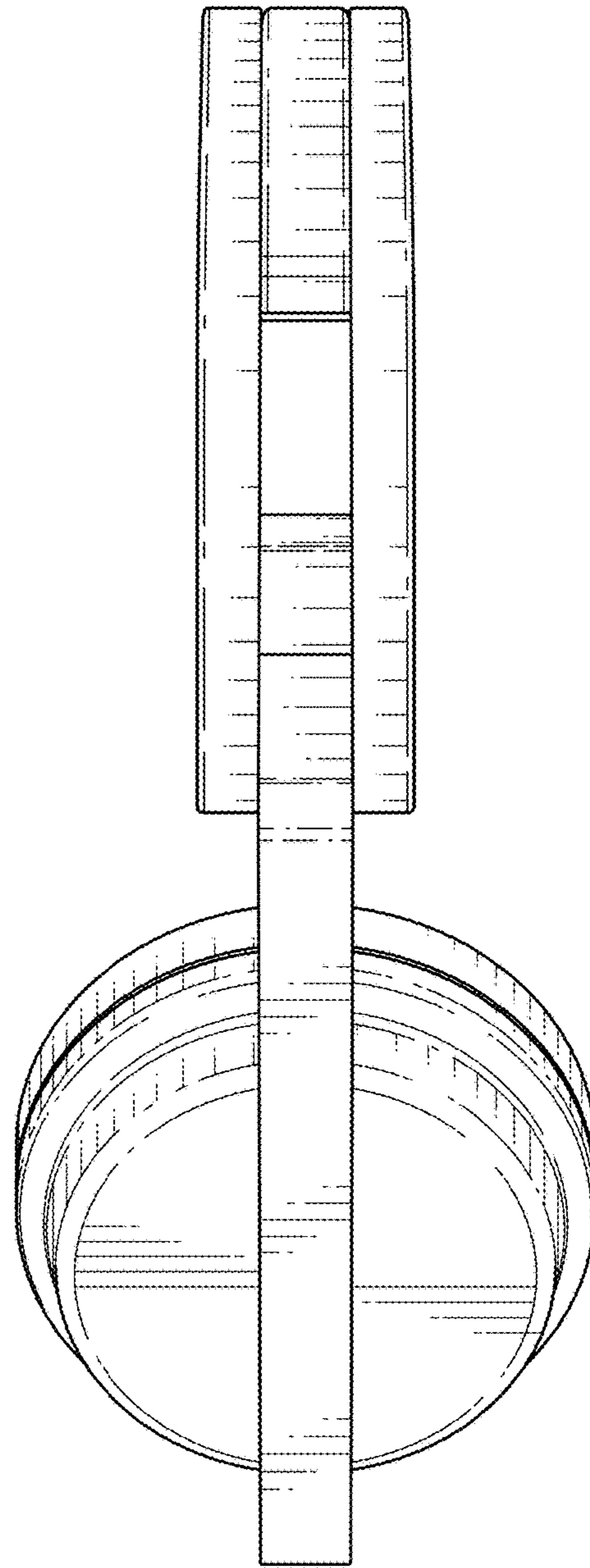


FIG. 5

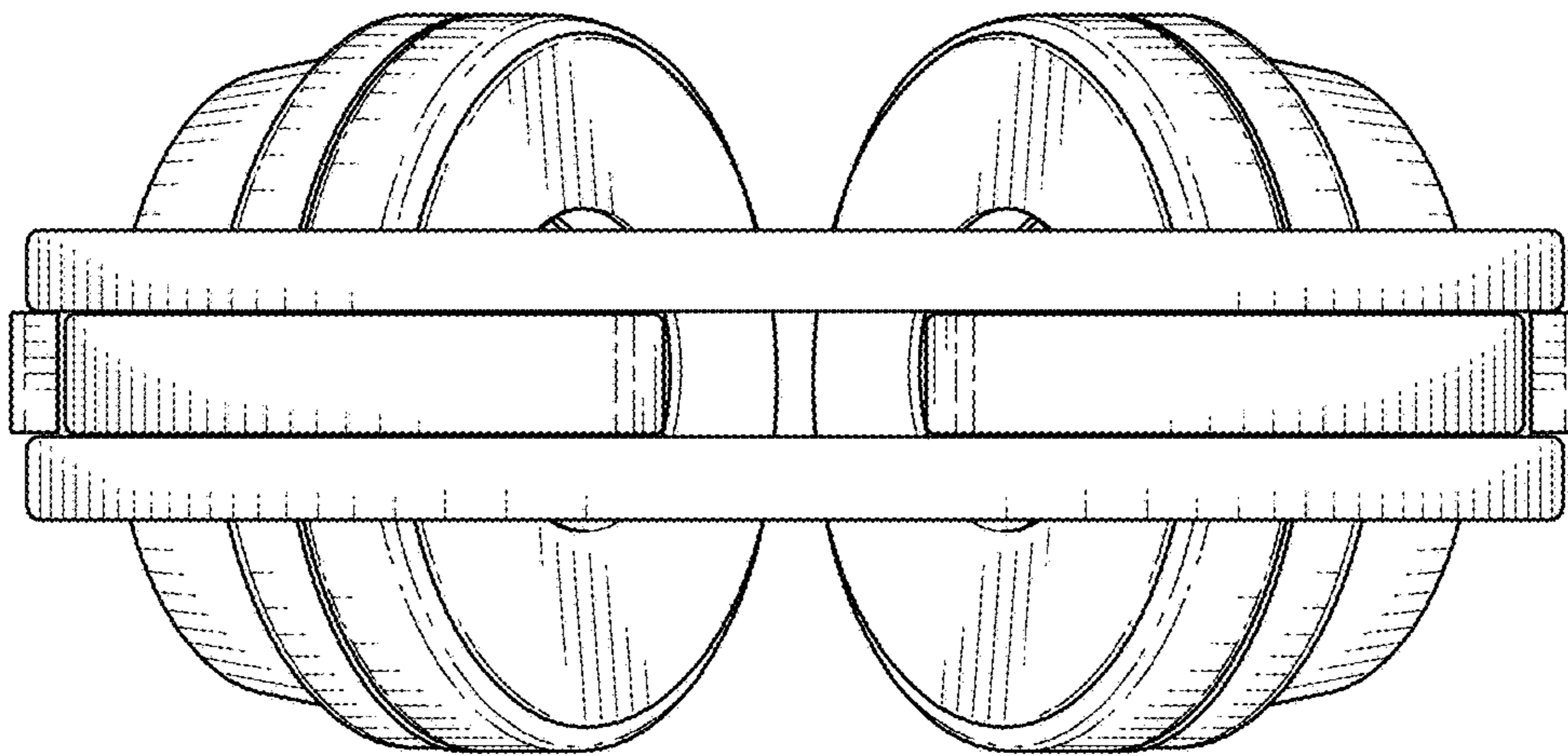


FIG. 6

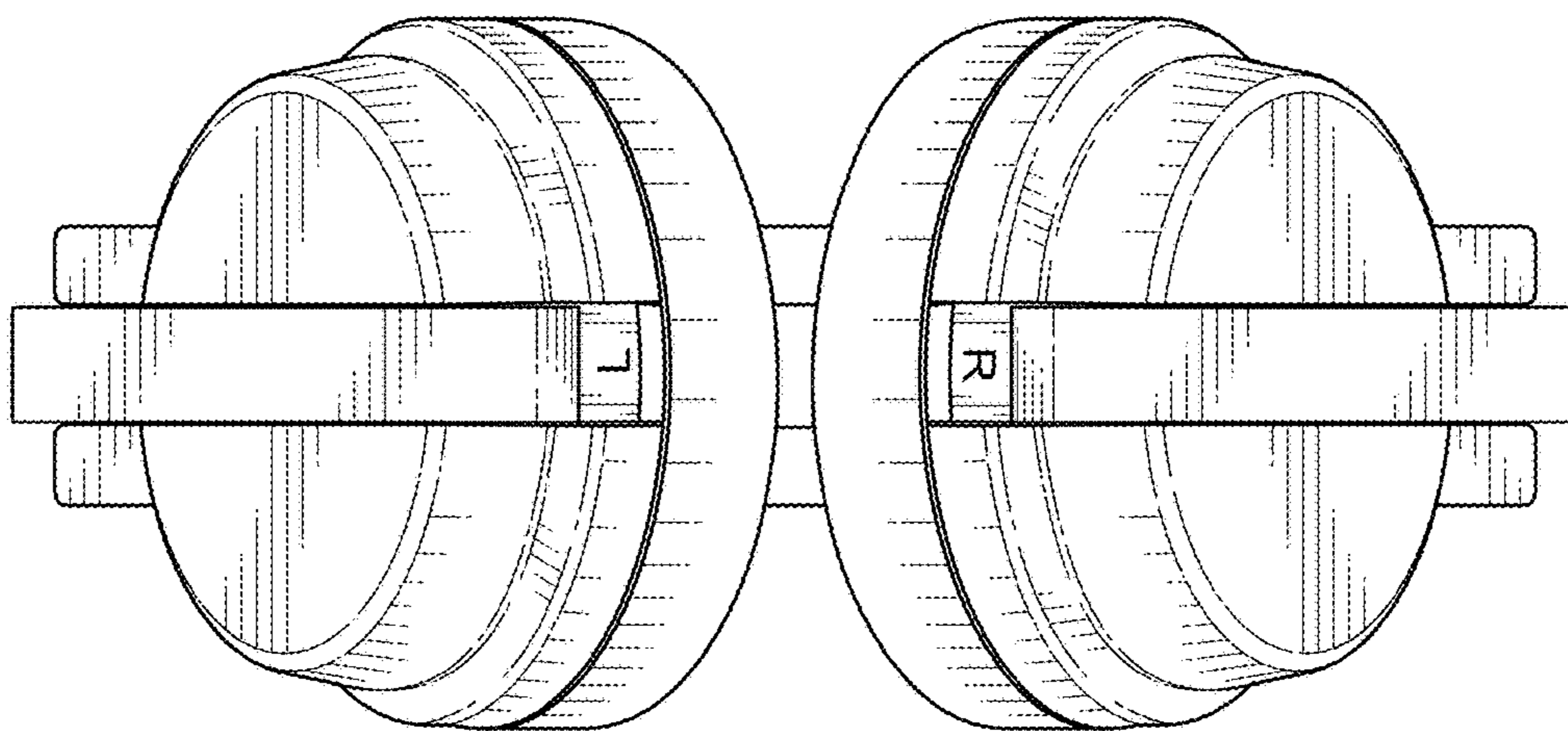


FIG. 7