



US00D812035S

(12) **United States Design Patent**  
**Petersen**

(10) **Patent No.:** **US D812,035 S**  
(45) **Date of Patent:** **\*\* Mar. 6, 2018**

- (54) **HEADPHONE HEADSET**
- (71) Applicant: **Zound Industries International AB**,  
Stockholm (SE)
- (72) Inventor: **Erik Petersen**, Stockholm (SE)
- (73) Assignee: **Zound Industries International AB**,  
Stockholm (SE)
- (\*\*) Term: **15 Years**
- (21) Appl. No.: **29/556,723**
- (22) Filed: **Mar. 2, 2016**
- (51) **LOC (11) Cl.** ..... **14-01**
- (52) **U.S. Cl.**  
USPC ..... **D14/205**
- (58) **Field of Classification Search**  
USPC ..... D14/205, 188, 192; D29/112; 2/209;  
181/129, 130, 135; 379/430, 431;  
381/380, 381, 374, 375, 378; 455/90.3,  
455/575.1, 569.1  
CPC .... H04R 25/00; H04R 1/1066; H04R 1/1016;  
H04R 5/033; H04R 5/0335  
See application file for complete search history.

- (56) **References Cited**  
U.S. PATENT DOCUMENTS
- D203,677 S \* 2/1966 Spillman ..... D14/205
- 3,681,540 A \* 8/1972 Thomson ..... H04R 5/0335  
381/374
- D246,242 S \* 11/1977 Bellini ..... D14/205
- 4,375,702 A \* 3/1983 Lundin ..... A42B 3/166  
2/209
- 4,471,496 A \* 9/1984 Gardner, Jr. .... A61F 11/14  
2/209
- D313,092 S \* 12/1990 Nilsson ..... D14/205
- D328,461 S \* 8/1992 Daido ..... D14/205
- D333,137 S \* 2/1993 Burke ..... D14/206
- D342,071 S \* 12/1993 Wright ..... D14/223

- 5,384,857 A \* 1/1995 Nordin ..... A61F 11/14  
381/374
- D411,200 S \* 6/1999 Almqvist ..... D14/192
- 6,449,806 B1 \* 9/2002 Engelhard ..... H04M 1/05  
2/209
- D549,708 S \* 8/2007 Phillips ..... D14/435
- D609,694 S \* 2/2010 Komiyama ..... D14/205
- D620,474 S \* 7/2010 Komiyama ..... D14/205
- D650,356 S \* 12/2011 Alden ..... D14/205
- D658,158 S \* 4/2012 Suzuki ..... D14/205
- 8,295,529 B2 \* 10/2012 Petersen ..... H04R 1/083  
381/371

(Continued)

*Primary Examiner* — Paula Allen Greene  
(74) *Attorney, Agent, or Firm* — Alonzo & Associates;  
Arlyn Alonzo

(57) **CLAIM**

The ornamental design for a headphone headset, as shown and described.

**DESCRIPTION**

FIG. 1 is a perspective view of a headphone headset showing my new design, the opposite front face of the interior headphone headset ear cup is a mirror image.

FIG. 2 is a front view thereof.

FIG. 3 is a back view thereof.

FIG. 4 is a left side view thereof.

FIG. 5 is a right side view thereof.

FIG. 6 is a top view thereof; and

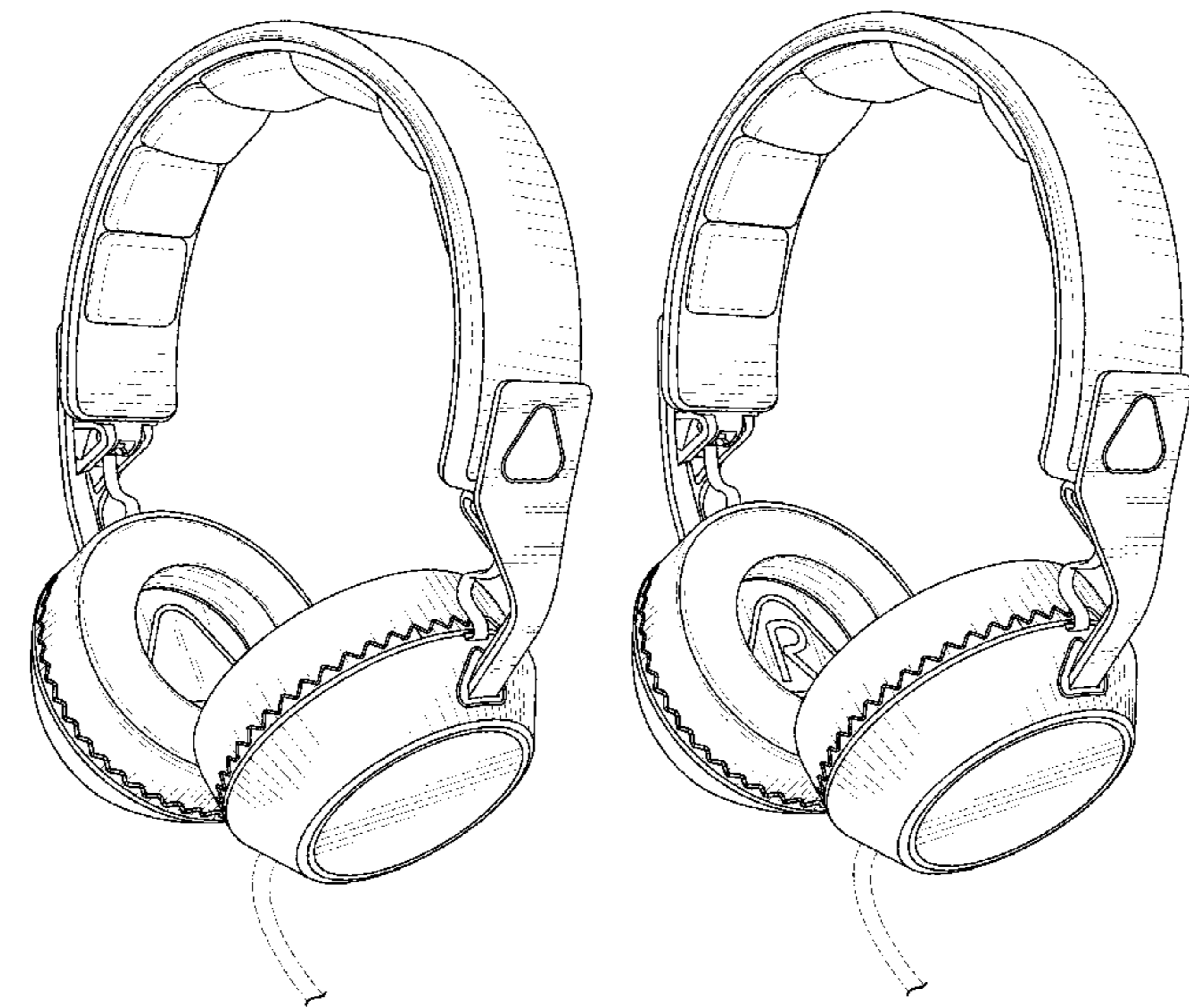
FIG. 7 is a bottom view thereof; and

FIG. 8 is a perspective view of a second embodiment of a headphone headset, wherein the front view, back view, left side view, right side view, top view and bottom view thereof are the same as represented in FIGS. 2, 3, 4, 5, 6 and 7, respectively, the opposite front face of the interior headphone headset ear cup is a mirror image.

The design is a headphone headset.

The headphone headset may be used for listening to music and/or audio signals from a transmitting device.

**1 Claim, 8 Drawing Sheets**



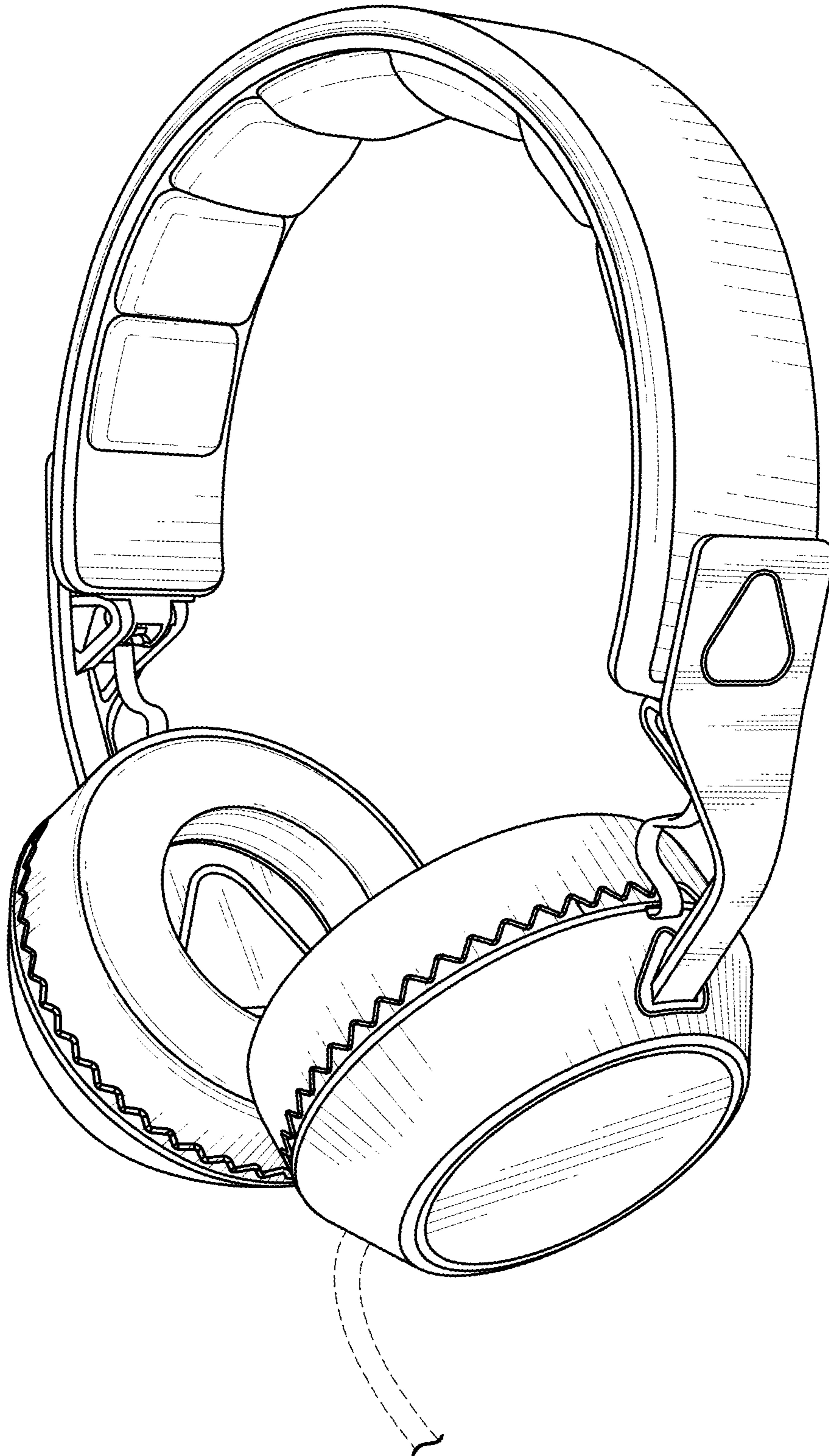
(56)

**References Cited**

U.S. PATENT DOCUMENTS

D672,745 S \* 12/2012 Abed ..... D14/205  
D692,853 S \* 11/2013 Nokuo ..... D14/205  
D707,200 S \* 6/2014 Yang ..... H04R 1/1066  
D14/205  
8,767,996 B1 \* 7/2014 Lin ..... H04R 1/1091  
381/370  
D713,374 S \* 9/2014 Farrage ..... D14/205  
D722,998 S \* 2/2015 Sancho ..... D14/205  
D724,561 S \* 3/2015 Ko ..... D14/205  
D725,630 S \* 3/2015 Nakagawa ..... D14/205  
D750,041 S \* 2/2016 Birger ..... D14/205  
D763,226 S \* 8/2016 Petersen ..... D14/205  
D777,701 S \* 1/2017 Czaniecki ..... D14/205  
2013/0087404 A1 \* 4/2013 Peskar ..... B32B 5/20  
181/129

\* cited by examiner



*FIG. 1*



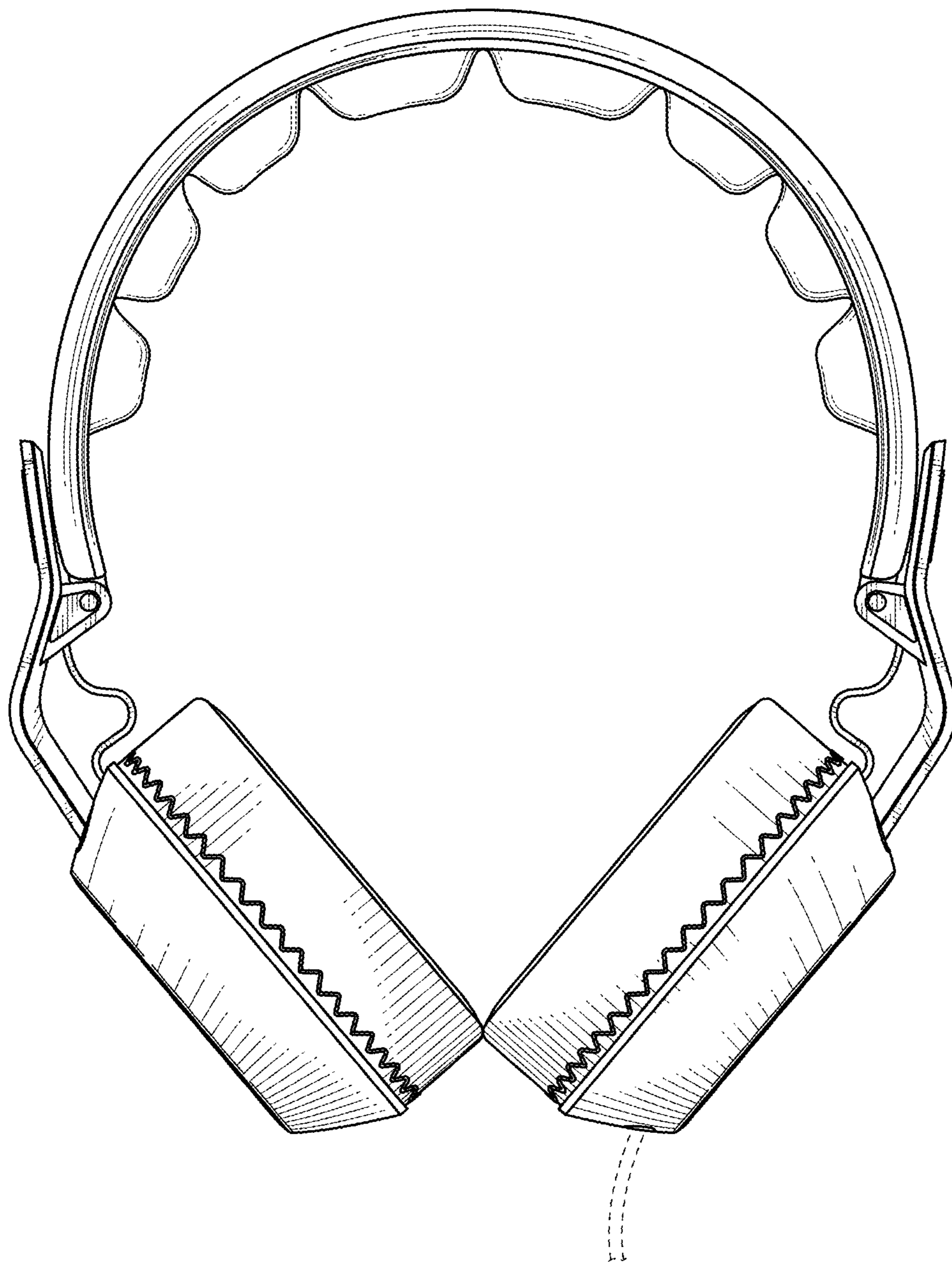


FIG. 2

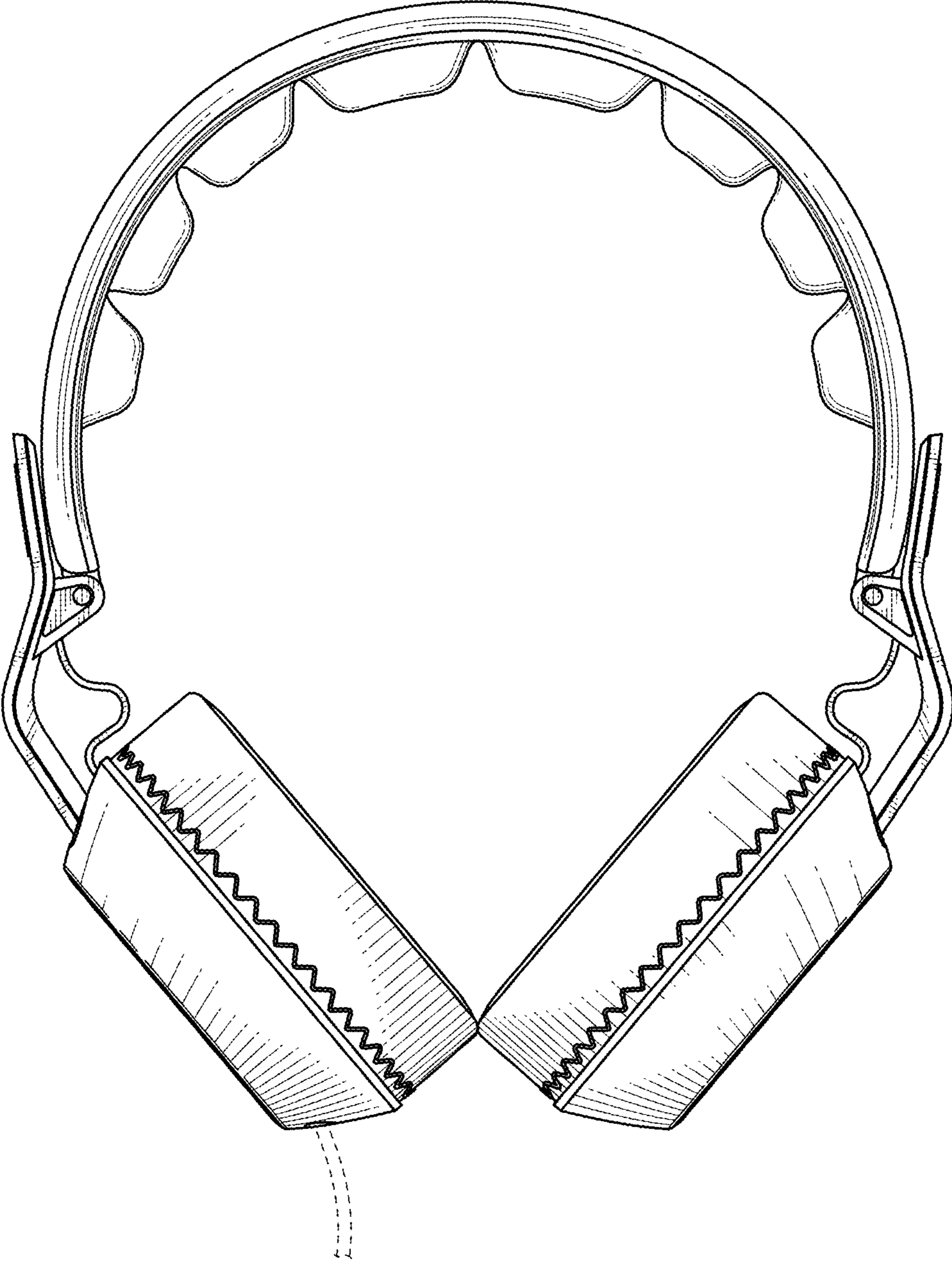


FIG. 3

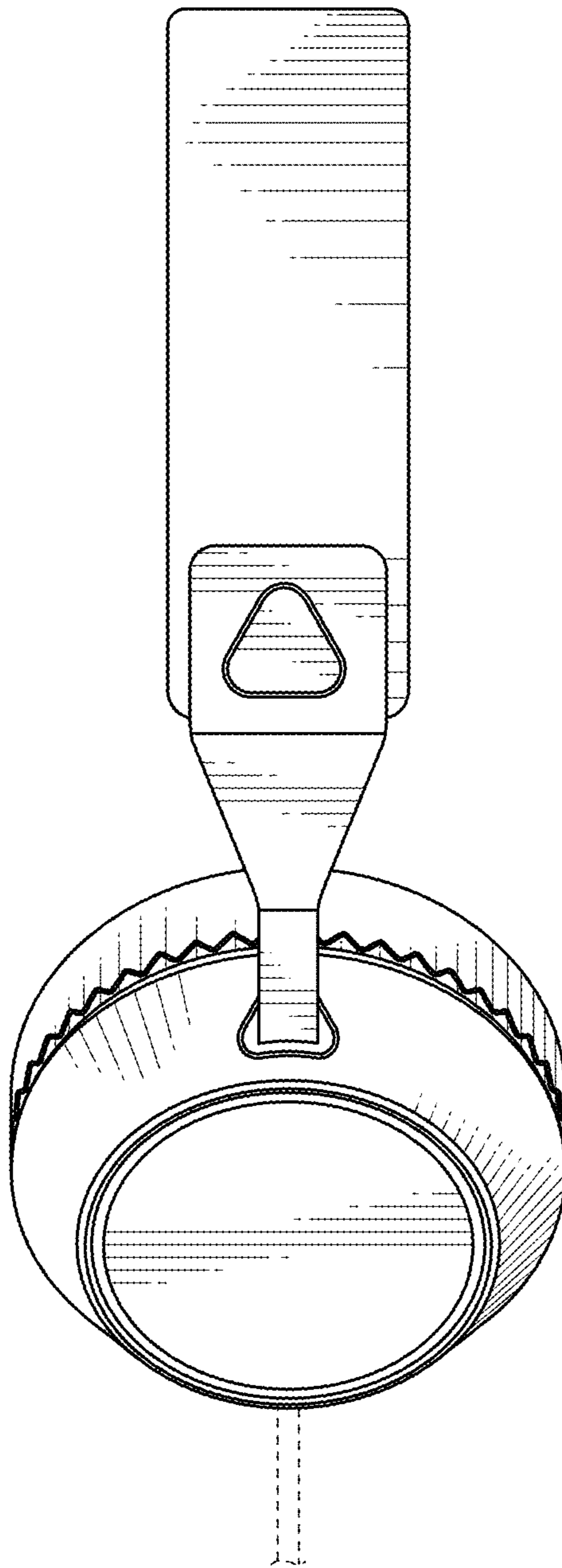


FIG. 4

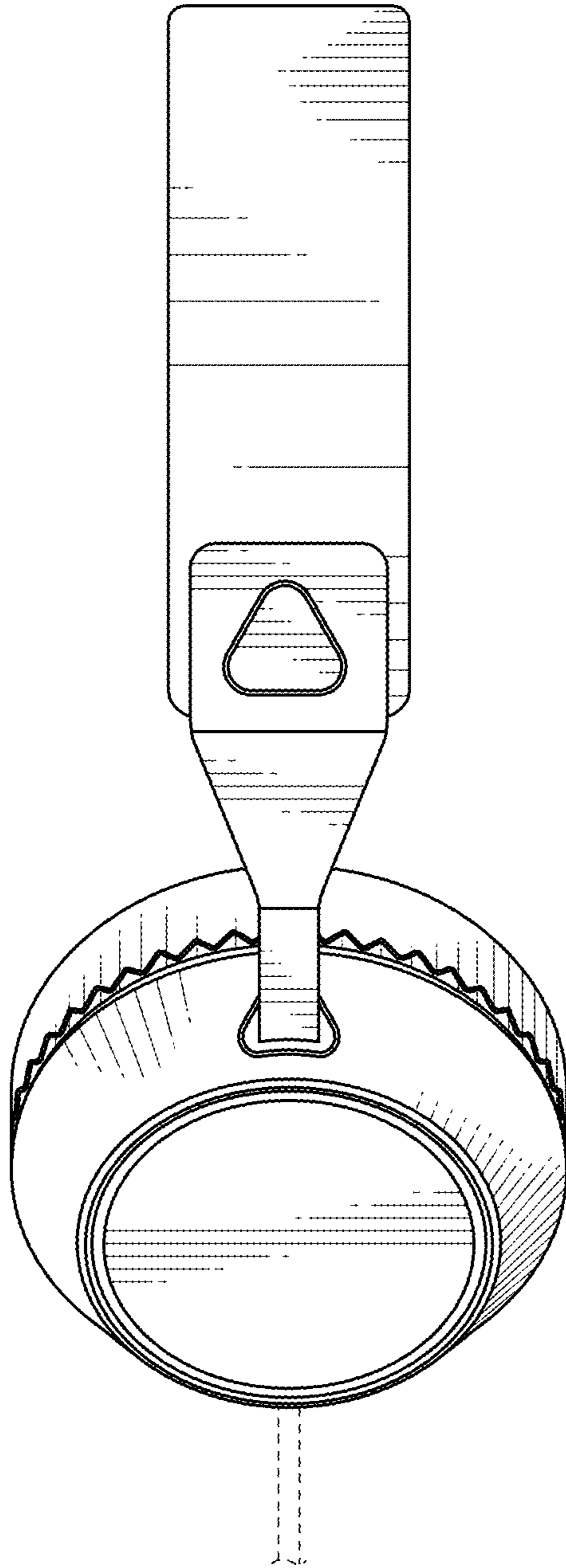


FIG. 5

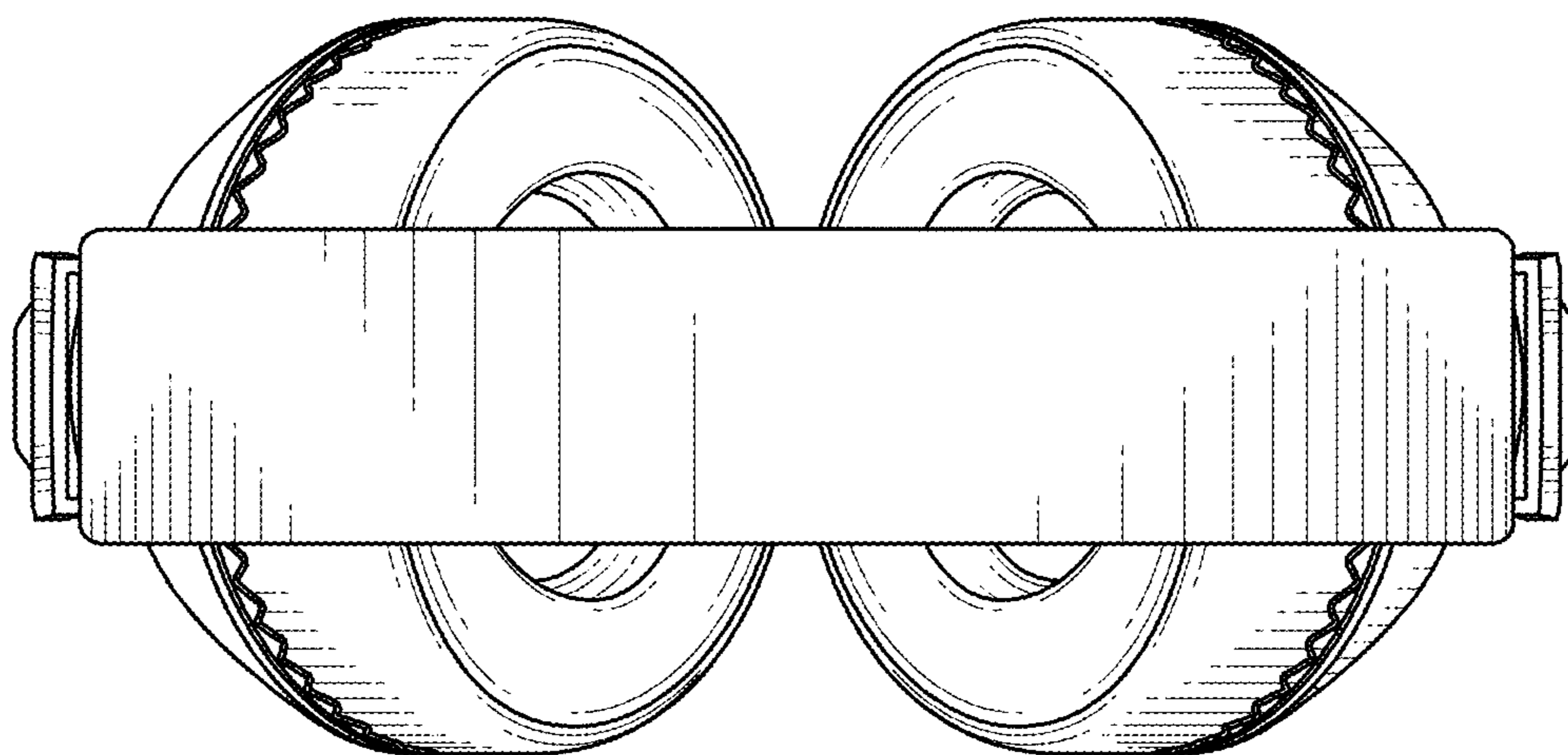


FIG. 6



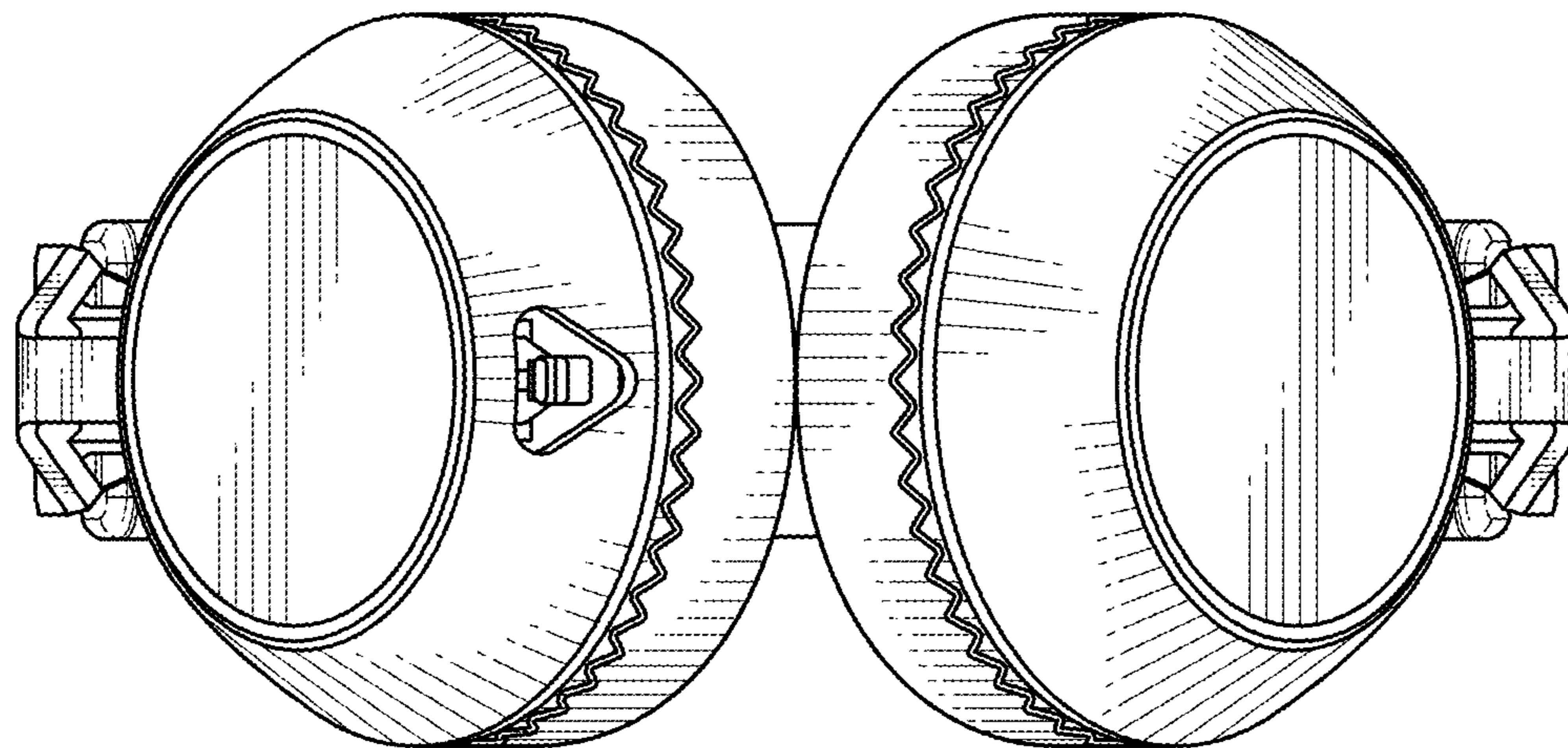
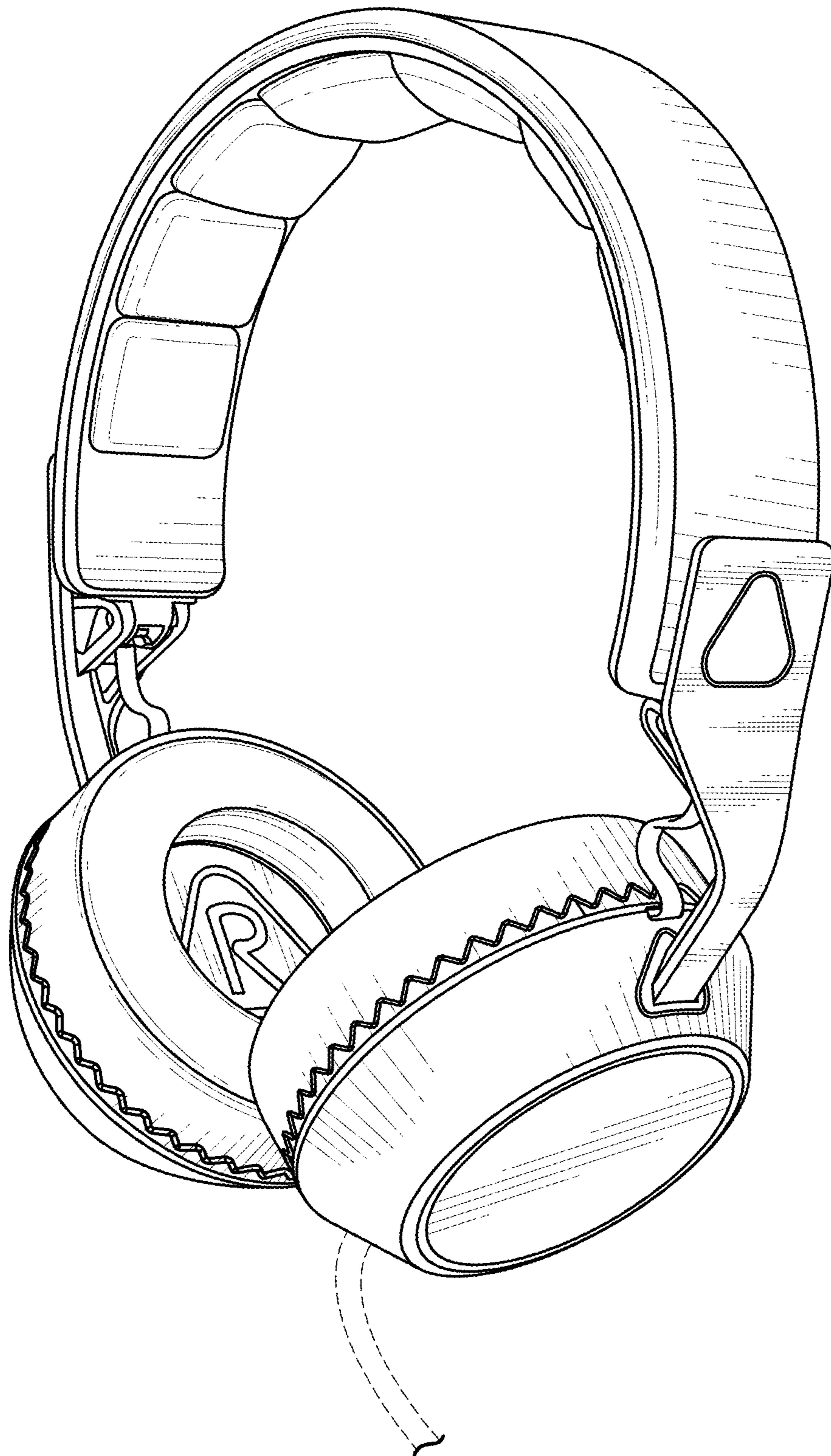


FIG. 7



*FIG. 8*