



US00D812034S

(12) **United States Design Patent**
Du

(10) **Patent No.:** **US D812,034 S**

(45) **Date of Patent:** **** Mar. 6, 2018**

(54) **IN-CAR BLUETOOTH MP3**

(71) Applicant: **Zhanyuan Du**, Henan (CN)

(72) Inventor: **Zhanyuan Du**, Henan (CN)

(**) Term: **15 Years**

(21) Appl. No.: **29/591,347**

(22) Filed: **Jan. 19, 2017**

(30) **Foreign Application Priority Data**

Aug. 31, 2016 (CN) 2016 3 0452842

(51) **LOC (11) Cl.** **14-03**

(52) **U.S. Cl.**
USPC **D14/156**

(58) **Field of Classification Search**

USPC D14/167, 154, 168, 188, 496, 156, 160,
D14/161, 162, 163, 164, 165, 158, 341,
D14/346, 342, 345, 137, 155, 218, 225;
D16/208; D26/38; 455/351, 350;
D10/104.1, 106, 65

CPC H04B 1/385; H04M 1/6091; H04M 1/6066
See application file for complete search history.

(56) **References Cited**

U.S. PATENT DOCUMENTS

D538,775 S * 3/2007 Dayan D14/155
D548,719 S * 8/2007 Dayan D14/155

D550,197 S * 9/2007 Dayan D14/155
D728,508 S * 5/2015 Breines D14/155
D743,926 S * 11/2015 Liao D14/155
D795,832 S * 8/2017 Du D14/155
D796,470 S * 9/2017 Du D14/155
D800,684 S * 10/2017 Xiao D14/155
D800,685 S * 10/2017 Xiao D14/155

* cited by examiner

Primary Examiner — Austin Murphy

(74) *Attorney, Agent, or Firm* — Schmeiser, Olsen & Watts, LLP

(57) **CLAIM**

The ornamental design for an in-car Bluetooth MP3, as shown and described.

DESCRIPTION

FIG. 1 is a Front elevational view of an in-car Bluetooth MP3 showing my new design;
FIG. 2 is a Rear elevational view thereof;
FIG. 3 is a Right side view thereof;
FIG. 4 is a Left side view thereof;
FIG. 5 is a Top plan view thereof;
FIG. 6 is a Bottom plan view thereof; and,
FIG. 7 is a Perspective view thereof.

1 Claim, 7 Drawing Sheets

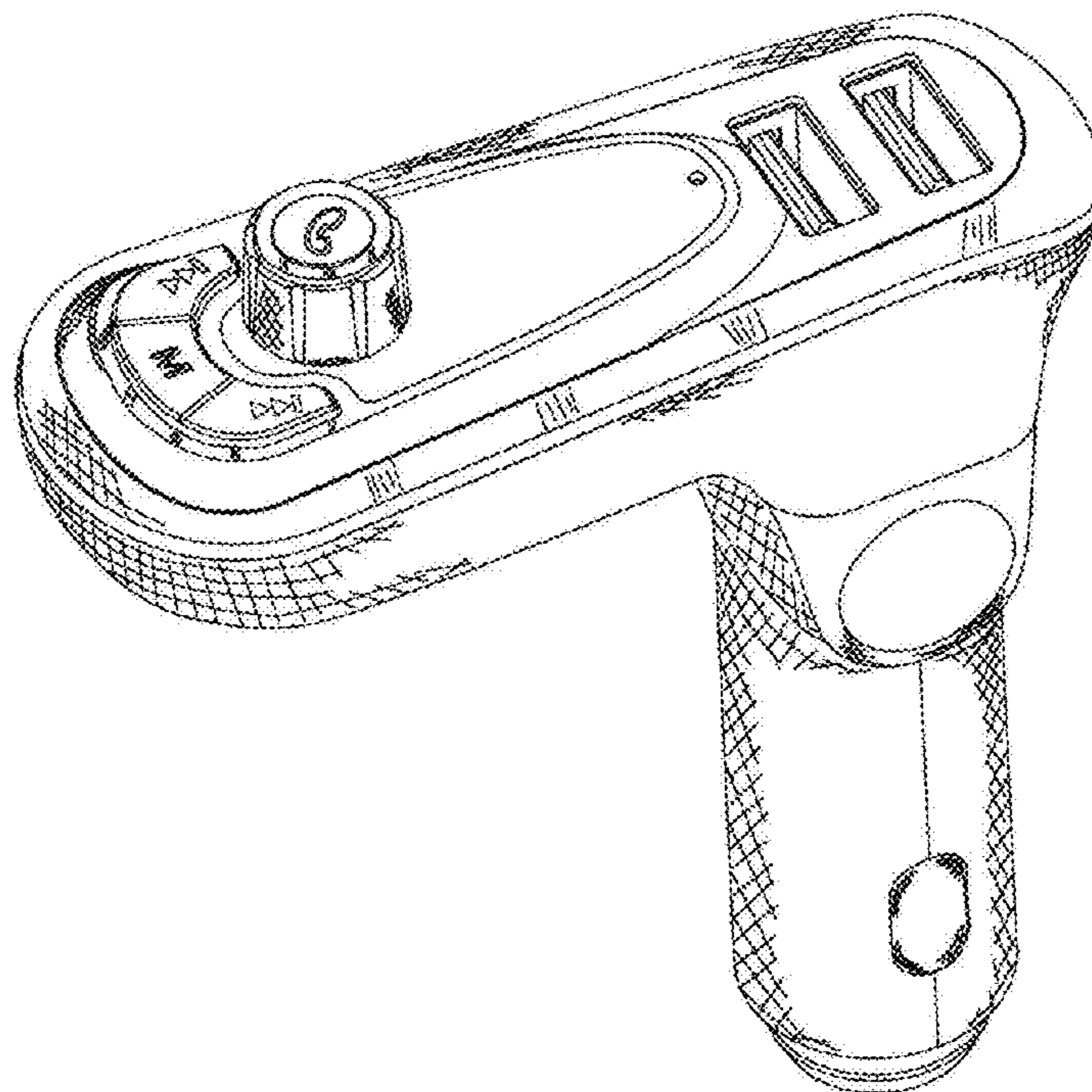


Fig 1

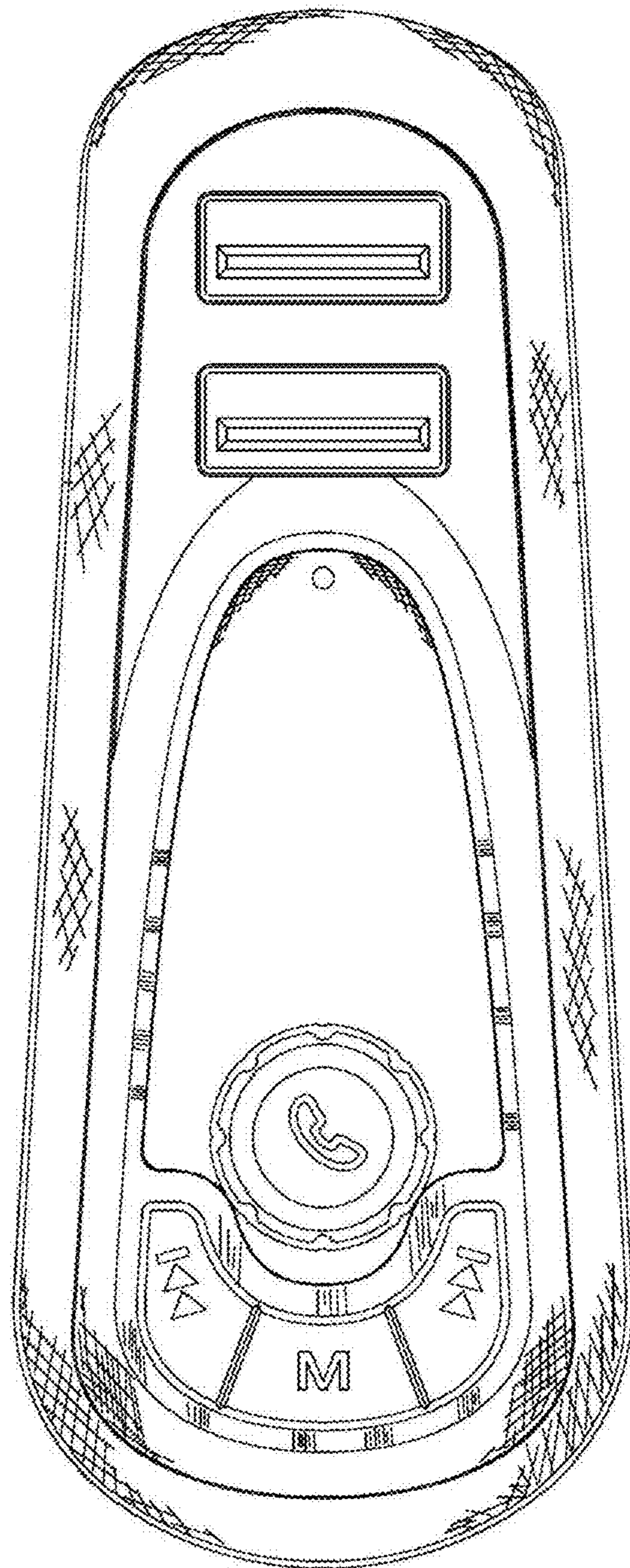


Fig 2

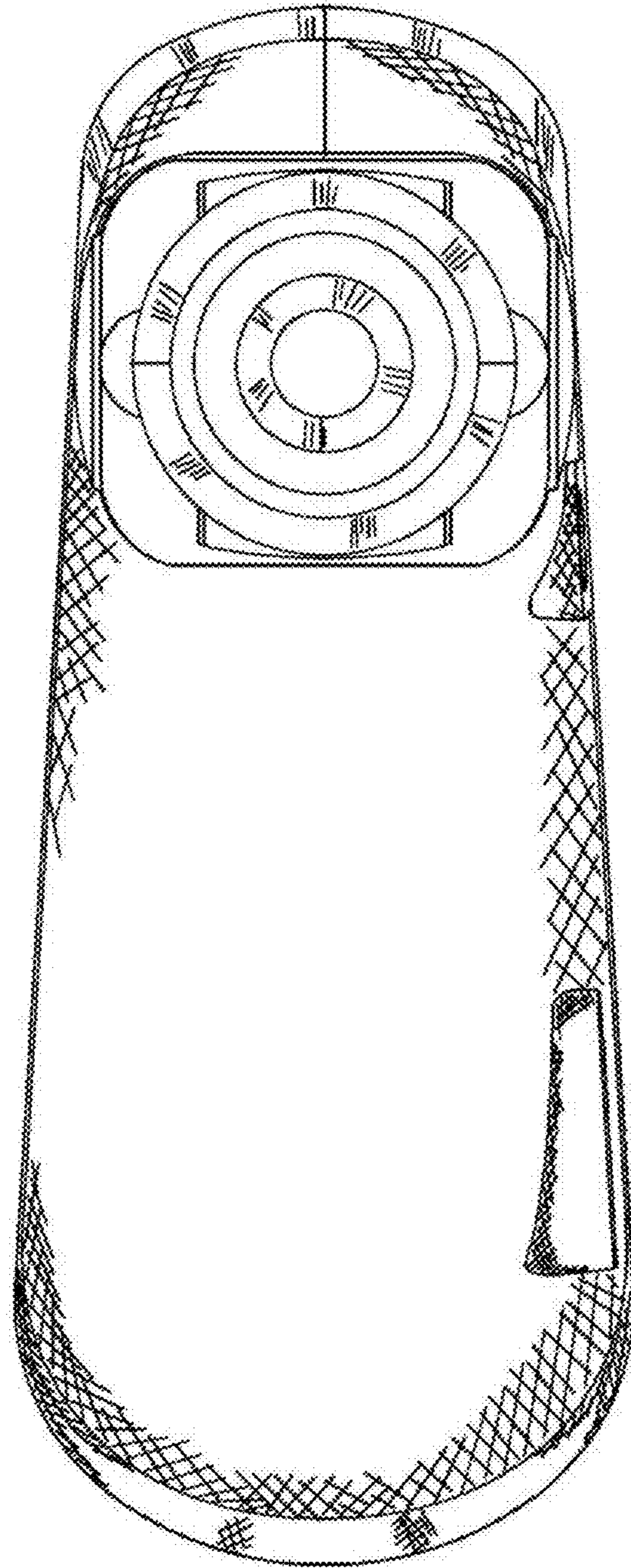


Fig 3

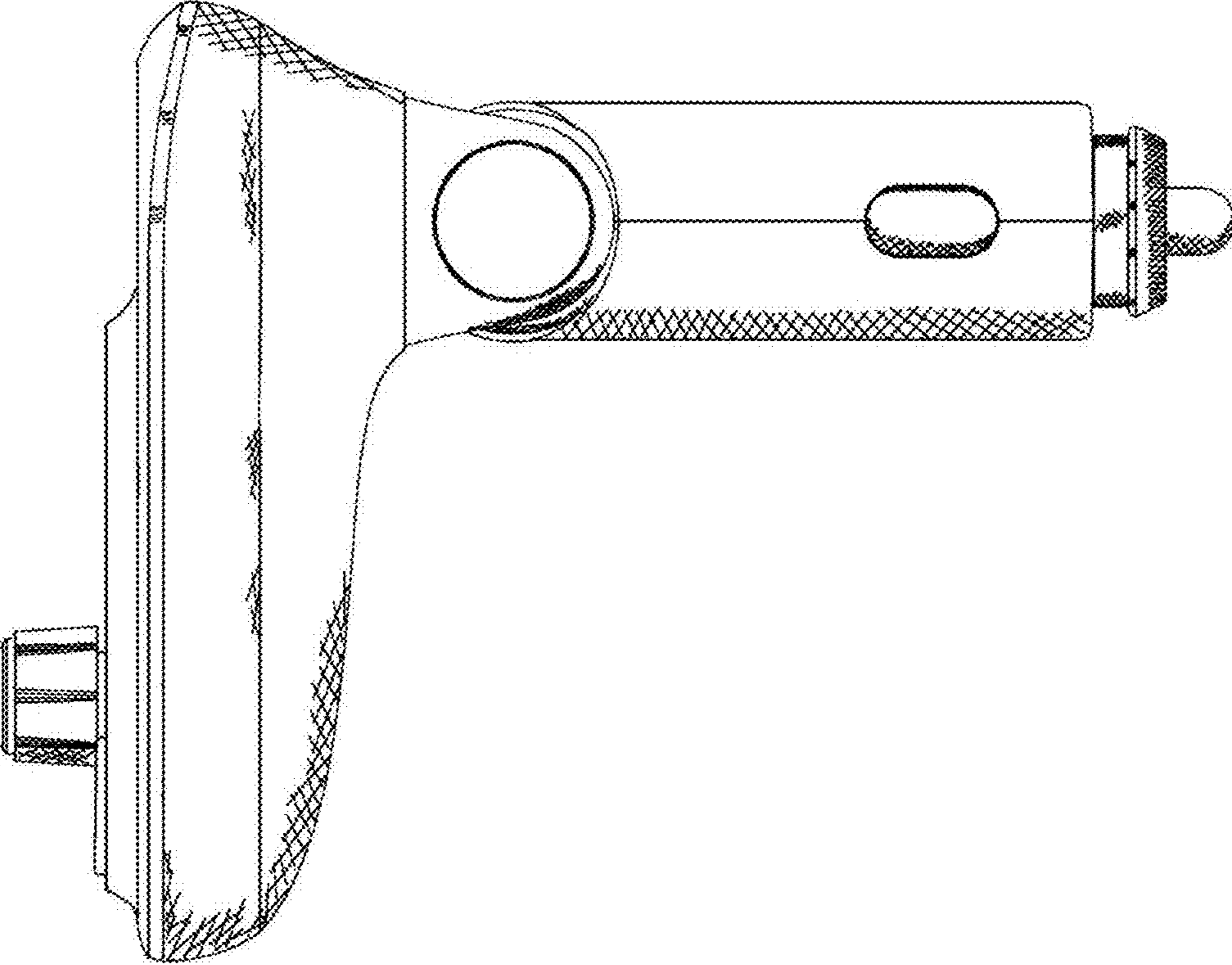


Fig 4

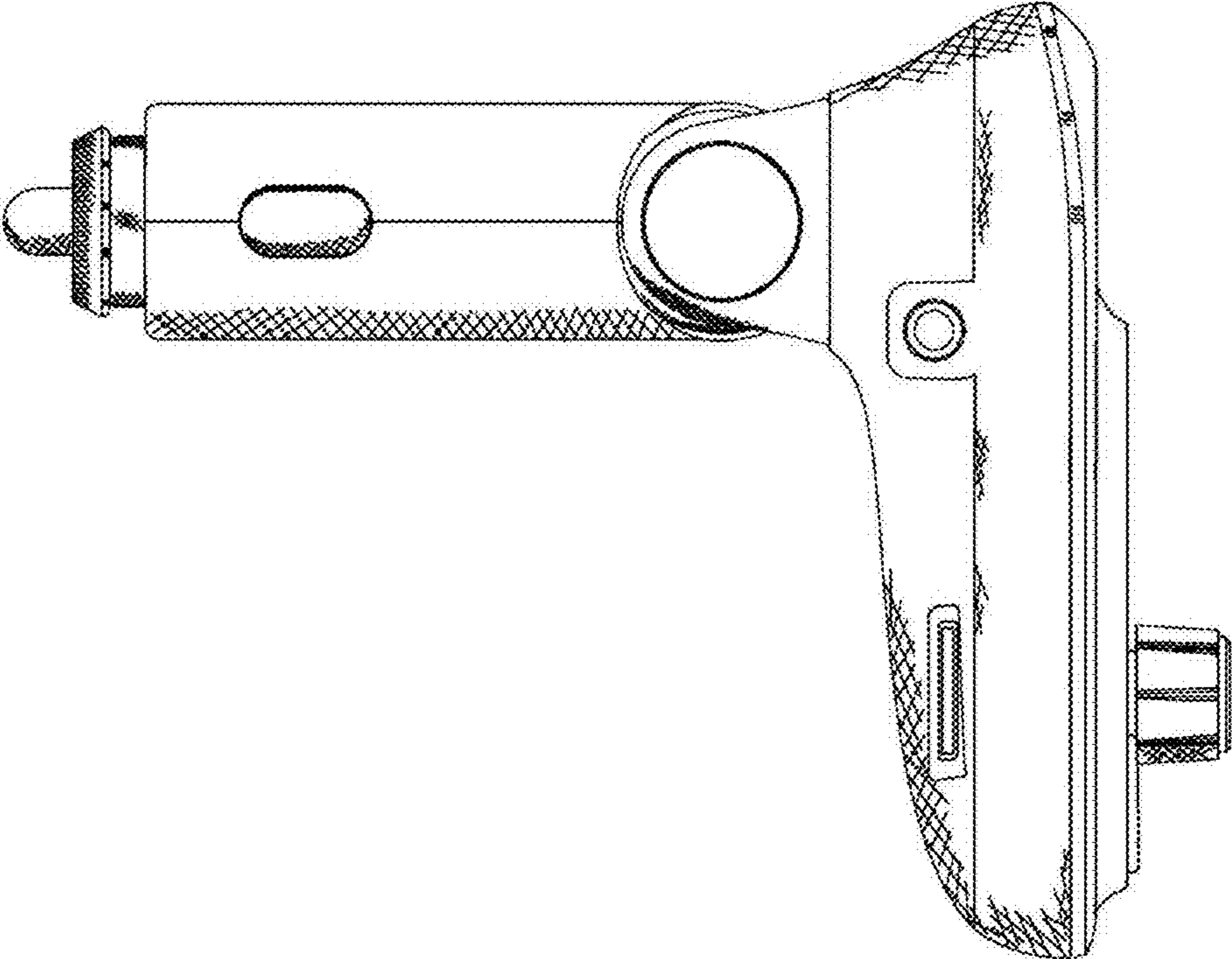


Fig 5

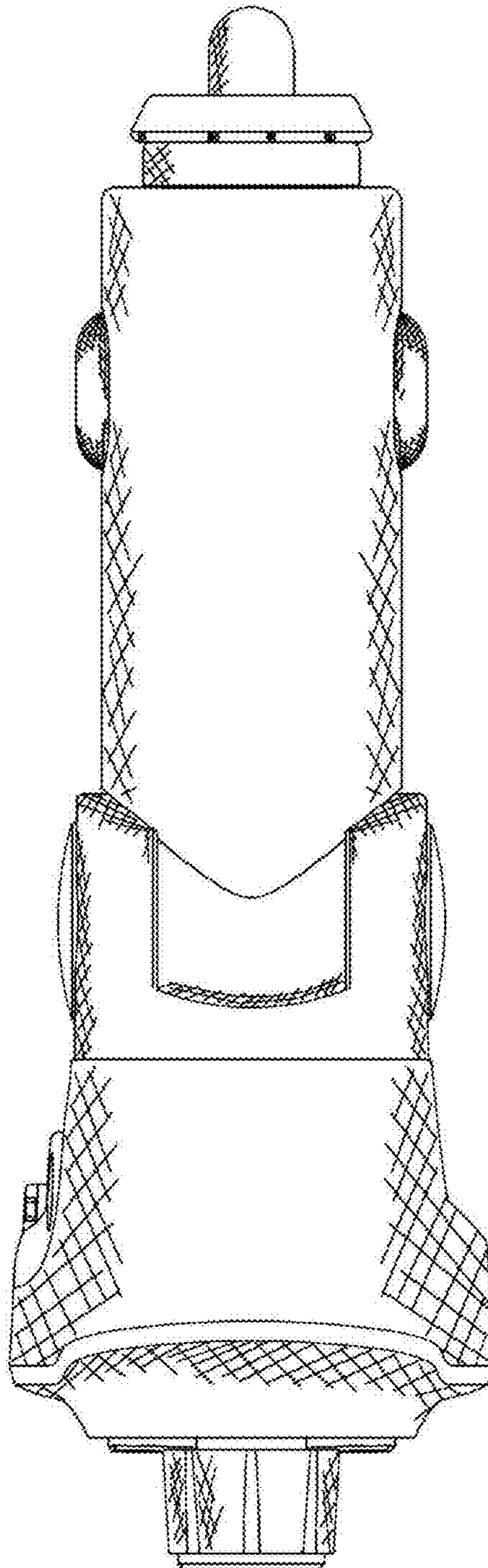


Fig 6

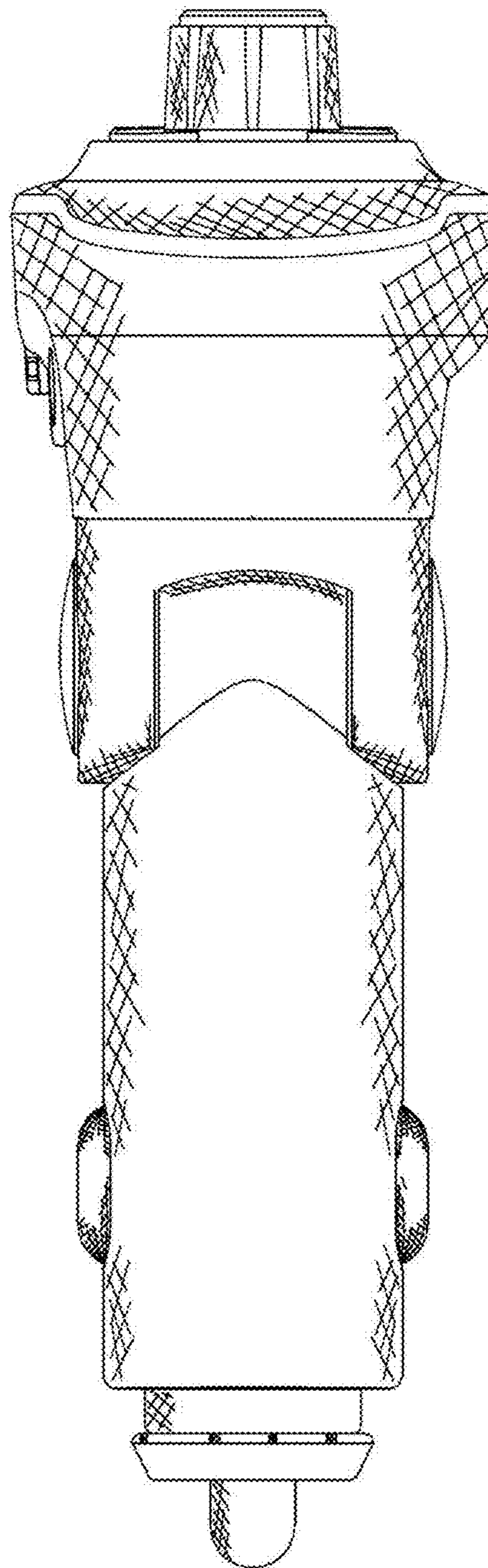


Fig 7

