



US00D812033S

(12) **United States Design Patent**  
**Yin**

(10) **Patent No.:** **US D812,033 S**  
(45) **Date of Patent:** **\*\* Mar. 6, 2018**

(54) **BLUETOOTH MP3 PLAYER**

(71) Applicant: **Yao Yin**, Wuming (CN)

(72) Inventor: **Yao Yin**, Wuming (CN)

(\*\*) Term: **15 Years**

(21) Appl. No.: **29/593,731**

(22) Filed: **Feb. 13, 2017**

(51) **LOC (11) Cl.** ..... **14-03**

(52) **U.S. Cl.**  
USPC ..... **D14/155**

(58) **Field of Classification Search**  
USPC ..... D14/167, 154, 168, 188, 496, 156, 160,  
D14/161, 162, 163, 164, 165, 158, 341,  
D14/346, 342, 345, 137, 155, 218, 225;  
D16/208; D26/38; 455/351, 350;  
D10/104.1, 106, 65  
CPC .... H04B 1/385; H04M 1/6091; H04M 1/6066  
See application file for complete search history.

(56) **References Cited**

**U.S. PATENT DOCUMENTS**

D520,984 S \* 5/2006 Lee ..... D14/155  
D521,487 S \* 5/2006 Dayan ..... D14/155

D522,992 S \* 6/2006 Dayan ..... D14/155  
D524,285 S \* 7/2006 Dayan ..... D14/155  
D538,775 S \* 3/2007 Dayan ..... D14/155  
D728,508 S \* 5/2015 Breines ..... D14/155  
D743,926 S \* 11/2015 Liao ..... D14/155  
D795,832 S \* 8/2017 Du ..... D14/155  
D796,470 S \* 9/2017 Du ..... D14/155  
D800,684 S \* 10/2017 Xiao ..... D14/155  
D800,685 S \* 10/2017 Xiao ..... D14/155

\* cited by examiner

*Primary Examiner* — Austin Murphy

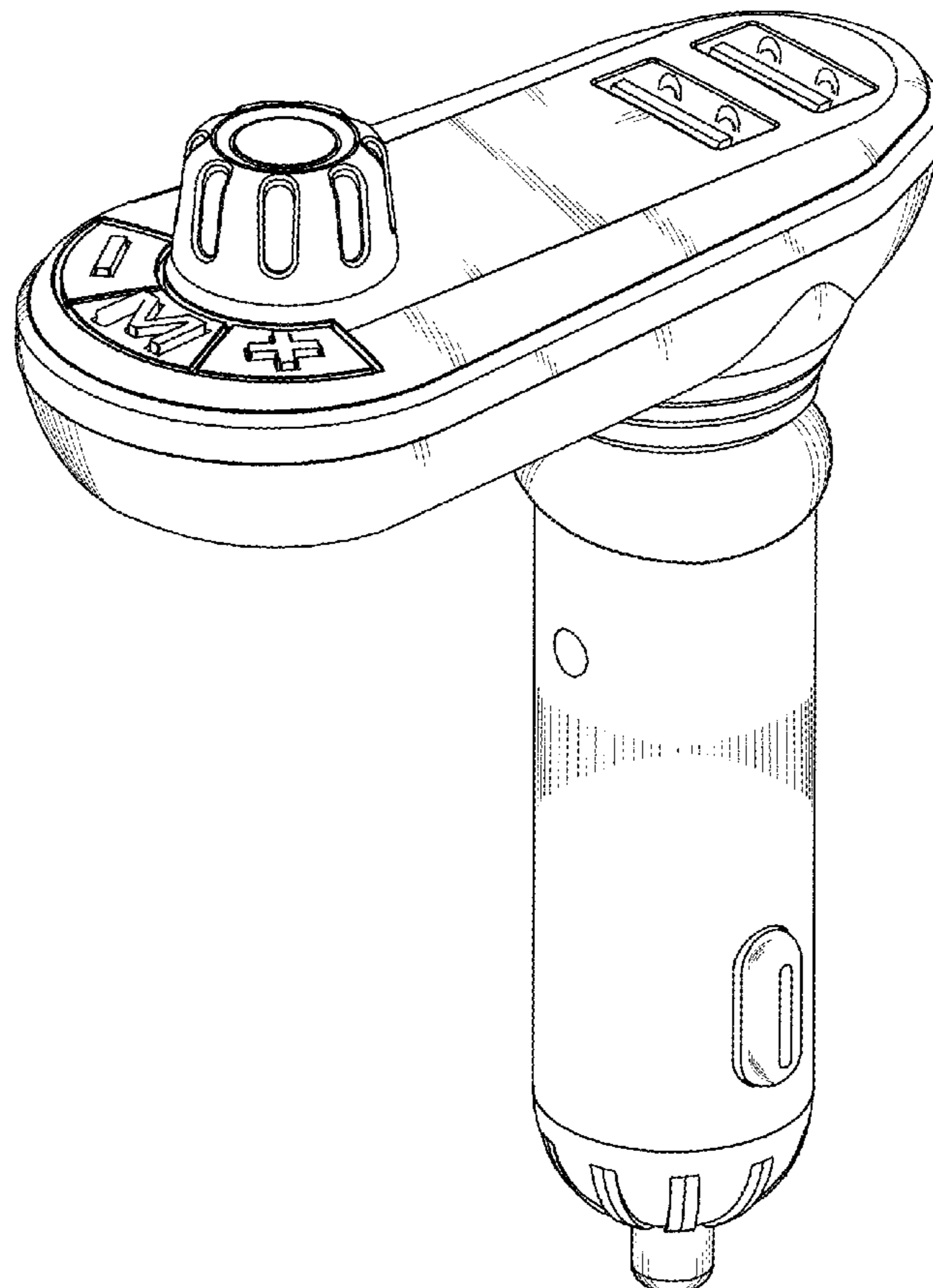
(57) **CLAIM**

The ornamental design for a bluetooth MP3 player, as shown.

**DESCRIPTION**

FIG. 1 is a front elevational view of a bluetooth MP3 player showing my new design;  
FIG. 2 is a rear elevational view thereof;  
FIG. 3 is a left side elevational view thereof;  
FIG. 4 is a right side elevational view thereof;  
FIG. 5 is a top plan view thereof;  
FIG. 6 is a bottom plan view thereof; and,  
FIG. 7 is a front perspective view thereof.

**1 Claim, 7 Drawing Sheets**



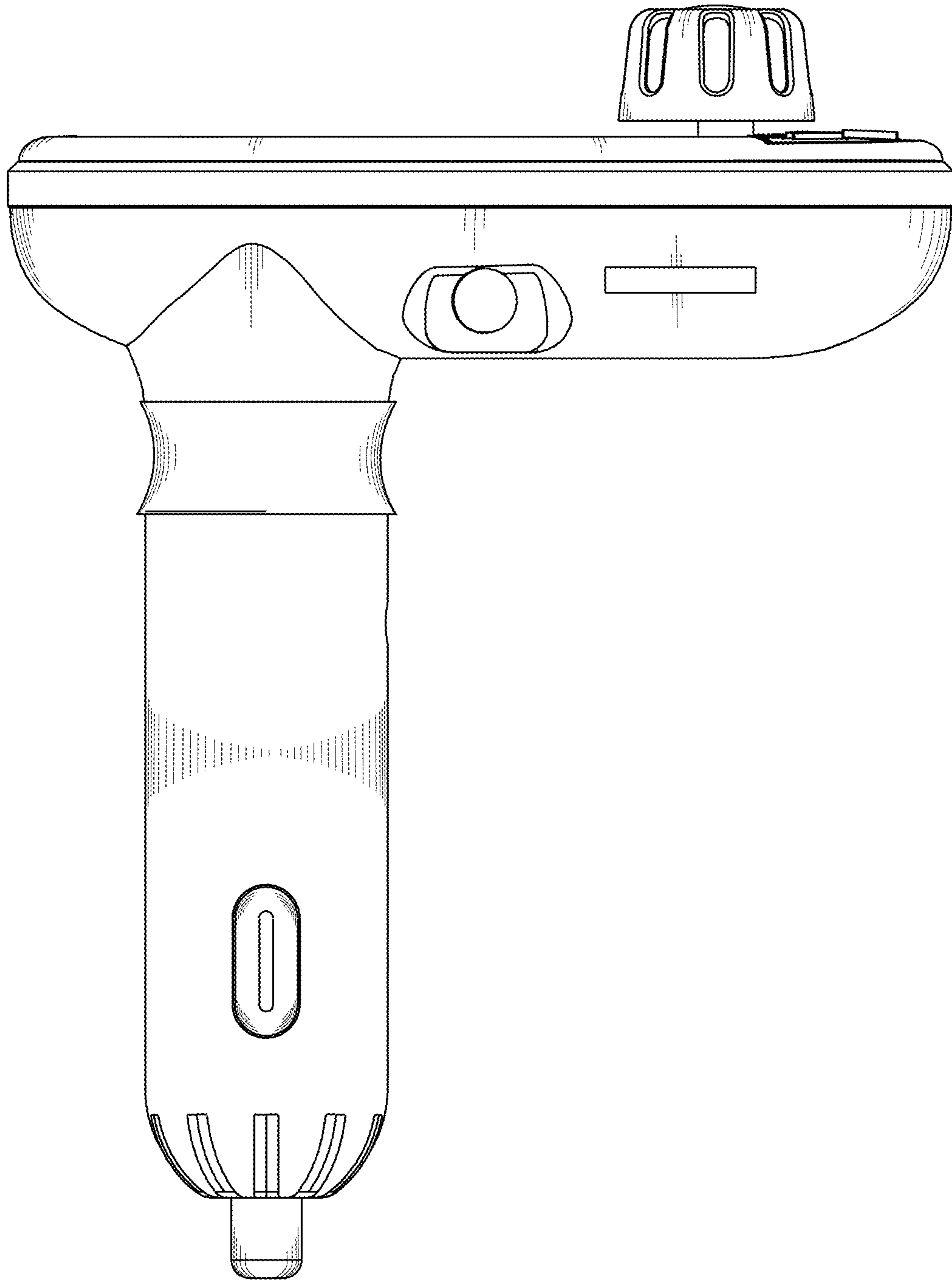


FIG.1

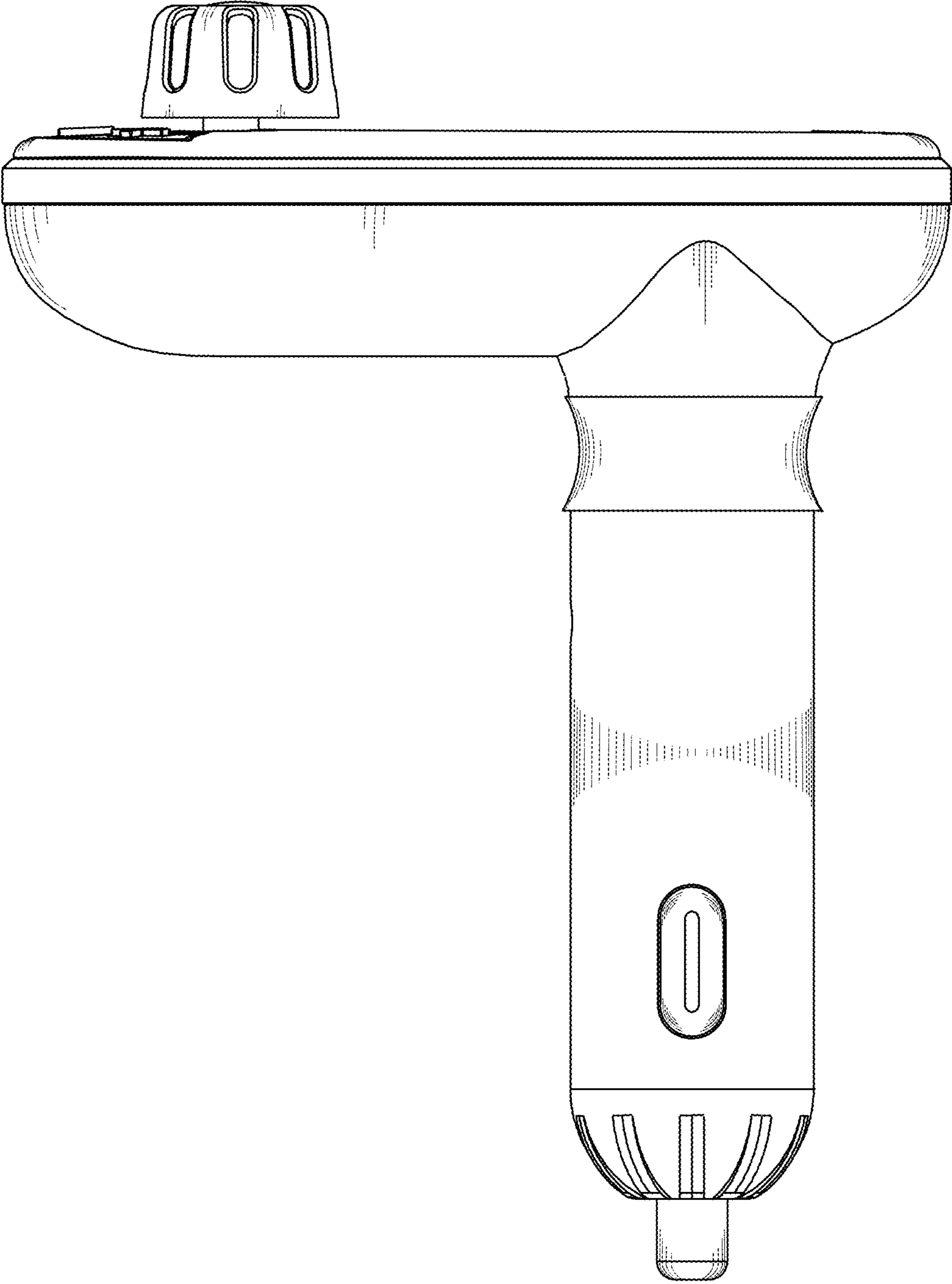


FIG.2

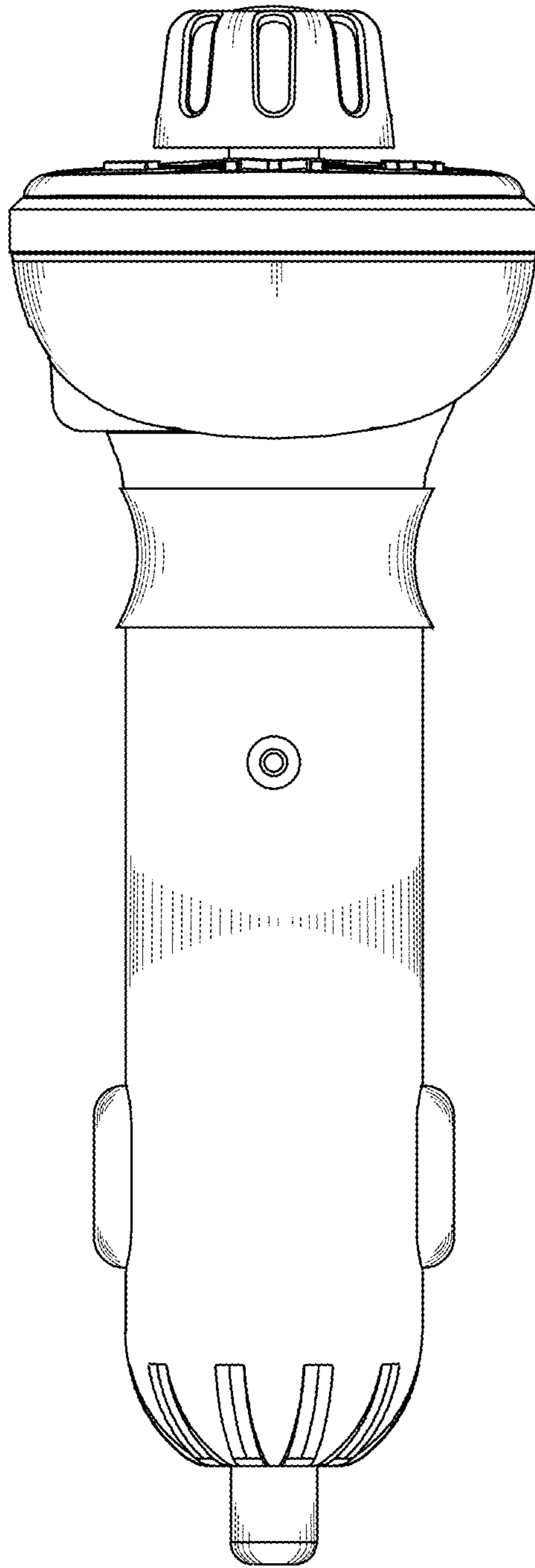


FIG.3

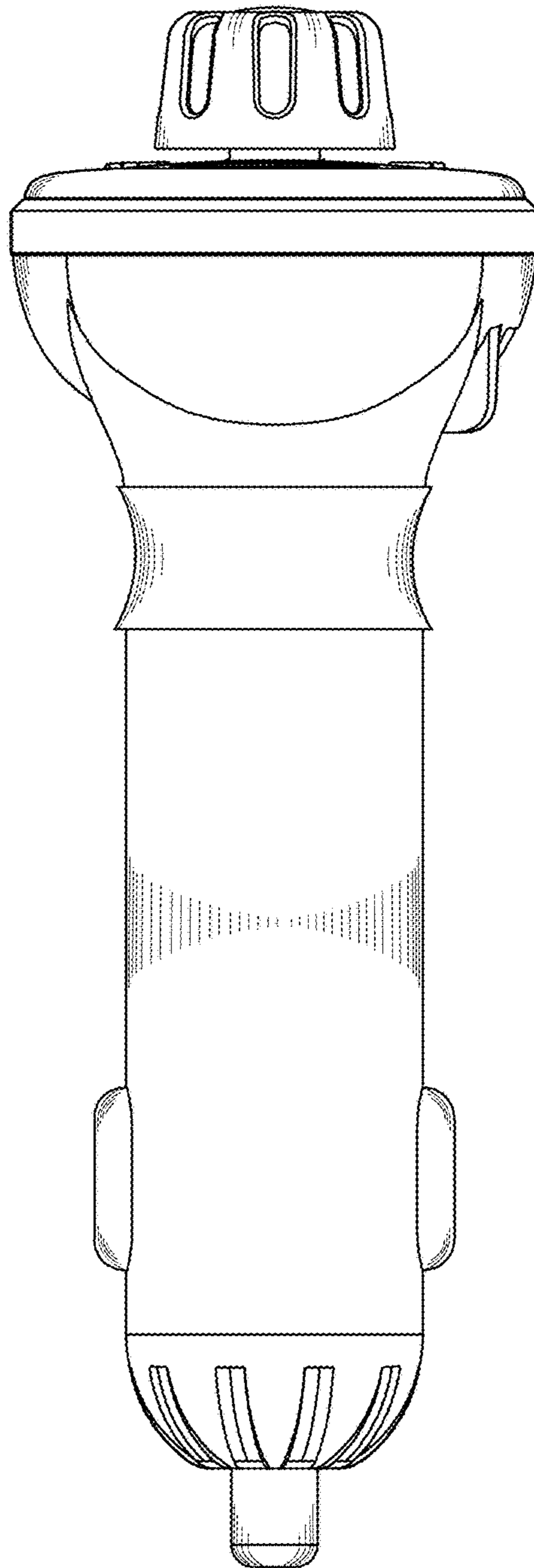


FIG.4

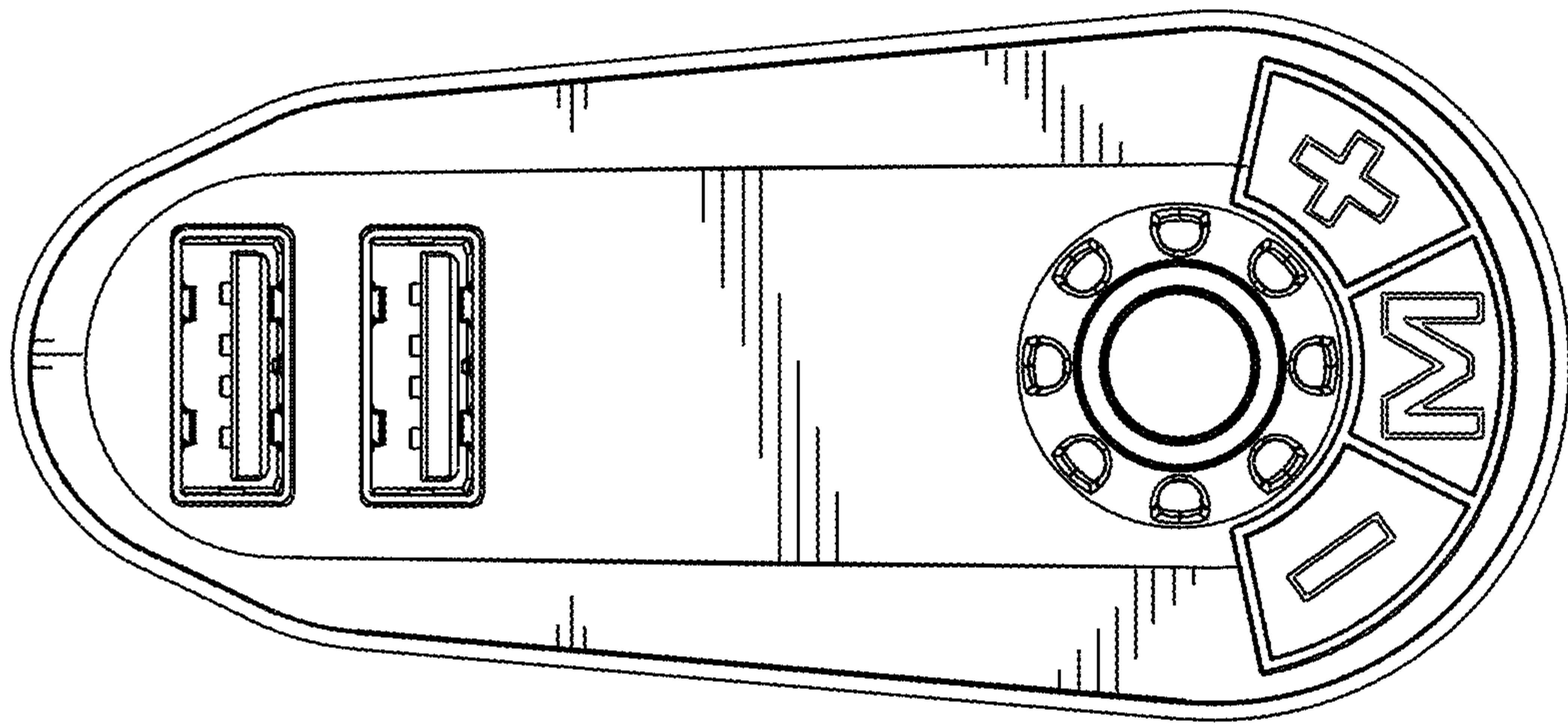


FIG.5

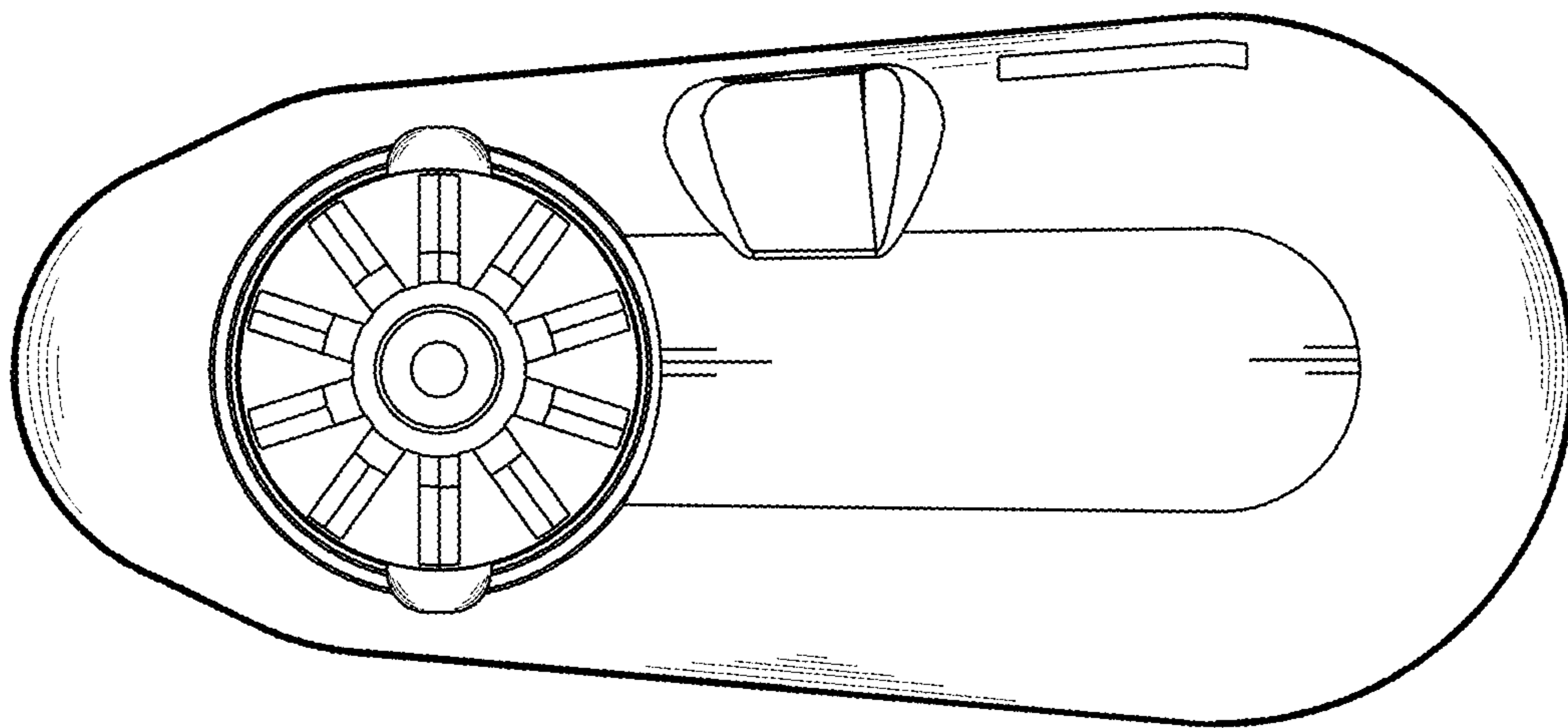


FIG.6

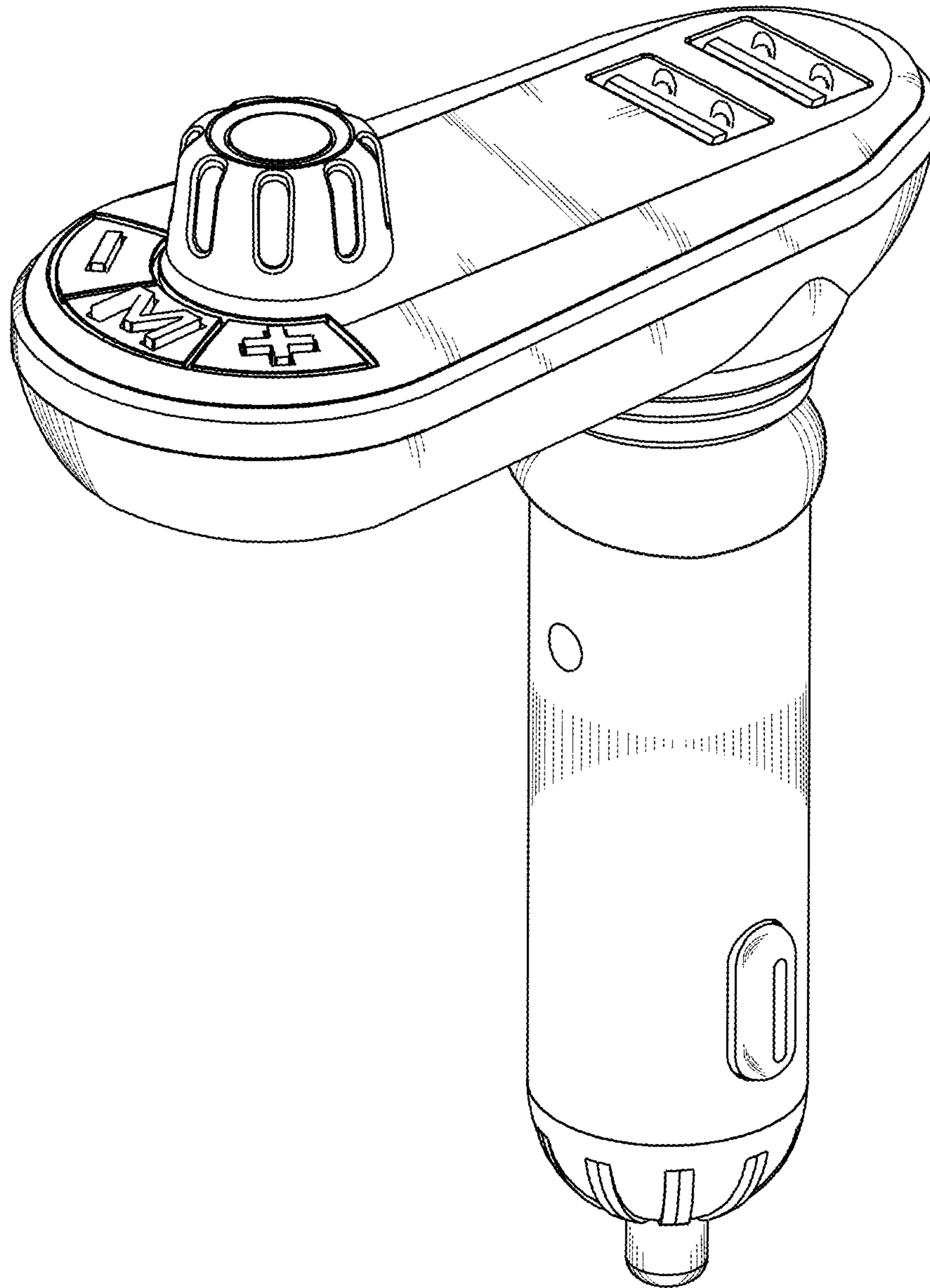


FIG.7