



US00D812031S

(12) **United States Design Patent**  
**Hoehn**

(10) **Patent No.:** **US D812,031 S**  
(45) **Date of Patent:** **\*\* Mar. 6, 2018**

(54) **TELEPHONE BASE**

(71) Applicant: **Gibson Innovations Belgium NV**,  
Leuven (BE)

(72) Inventor: **Holger Hoehn**, Hong Kong (CN)

(73) Assignee: **Gibson Innovations Belgium NV**,  
Leuven (BE)

(\*\*) Term: **15 Years**

(21) Appl. No.: **29/561,407**

(22) Filed: **Apr. 15, 2016**

**Related U.S. Application Data**

(62) Division of application No. 29/504,261, filed on Oct.  
3, 2014, now Pat. No. Des. 757,676.

(30) **Foreign Application Priority Data**

Jul. 29, 2014 (EM) ..... 002510842-0001

(51) **LOC (11) Cl.** ..... **14-03**

(52) **U.S. Cl.**  
USPC ..... **D14/148**

(58) **Field of Classification Search**  
USPC ..... D14/140, 142, 147-150; 379/419, 436,  
379/440, 447  
CPC ..... H04M 1/02; H04M 1/0202; H04M 1/03;  
H04M 1/17  
See application file for complete search history.

(56) **References Cited**

**U.S. PATENT DOCUMENTS**

D271,871 S \* 12/1983 Shimizu ..... D14/148  
D344,272 S \* 2/1994 Desbarats ..... D14/248

D352,028 S \* 11/1994 Siddoway ..... D14/138 AA  
D354,061 S \* 1/1995 Desbarats ..... D14/248  
D403,678 S \* 1/1999 Hawley ..... D14/148  
D437,589 S \* 2/2001 Zeitman ..... D14/148  
D460,066 S \* 7/2002 Hillenmayer ..... D14/248  
D491,922 S \* 6/2004 Poulet ..... D14/218  
D650,767 S \* 12/2011 Lu ..... D14/148  
D656,502 S \* 3/2012 Cacioppo ..... D14/453  
D757,676 S \* 5/2016 Hoehn ..... D14/148

\* cited by examiner

*Primary Examiner* — Susan Bennett Hattan

*Assistant Examiner* — Leanne Was-Englehart

(74) *Attorney, Agent, or Firm* — Bates & Bates, LLC

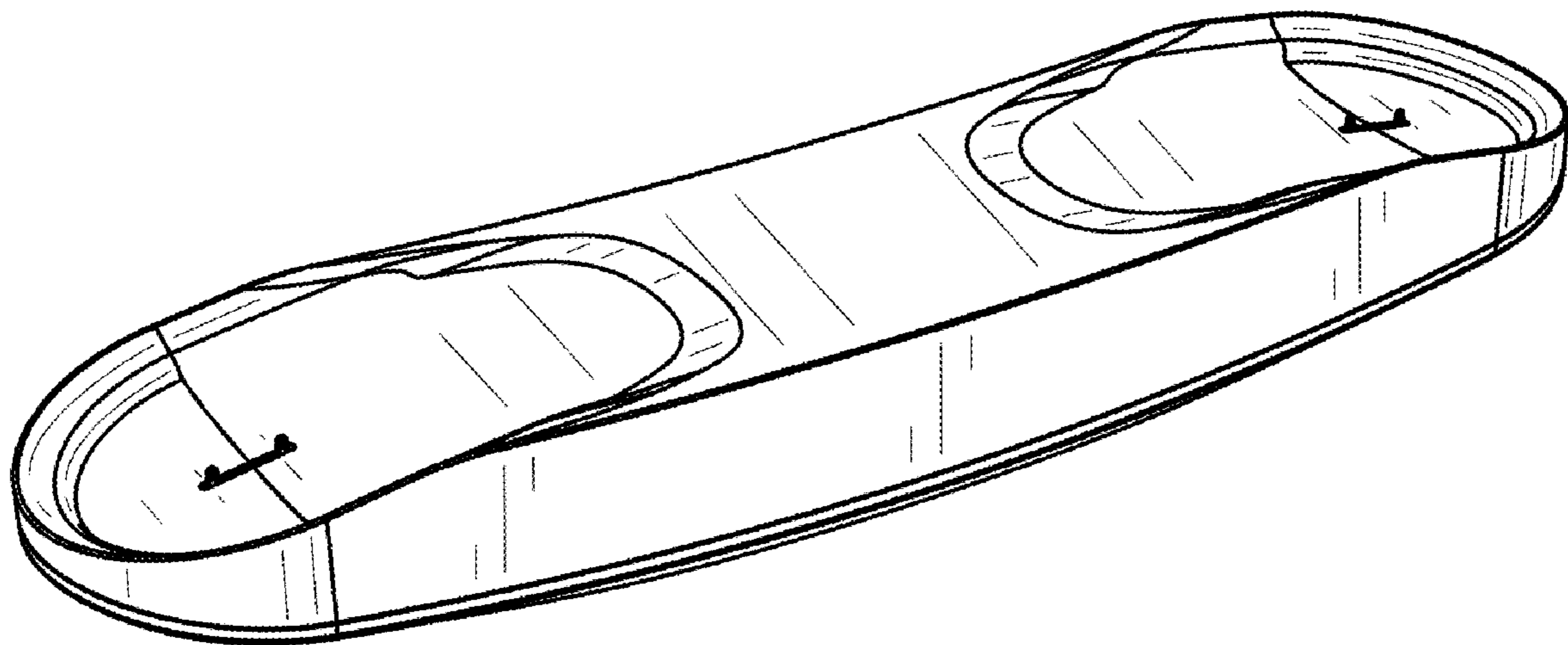
(57) **CLAIM**

The ornamental design for a telephone base, as shown and described.

**DESCRIPTION**

FIG. 1 is a perspective view of a telephone base;  
FIG. 2 is an alternative perspective view of the telephone base;  
FIG. 3 is a left side plan view of the telephone base;  
FIG. 4 is a right side plan view of the telephone base;  
FIG. 5 is a top plan view of the telephone base;  
FIG. 6 is a front plan view of the telephone base;  
FIG. 7 is a bottom plan view of the telephone base; and,  
FIG. 8 is a back plan view of the telephone base.  
The broken lines in the Figures depict portions of the telephone base that form no part of the claimed design.

**1 Claim, 5 Drawing Sheets**



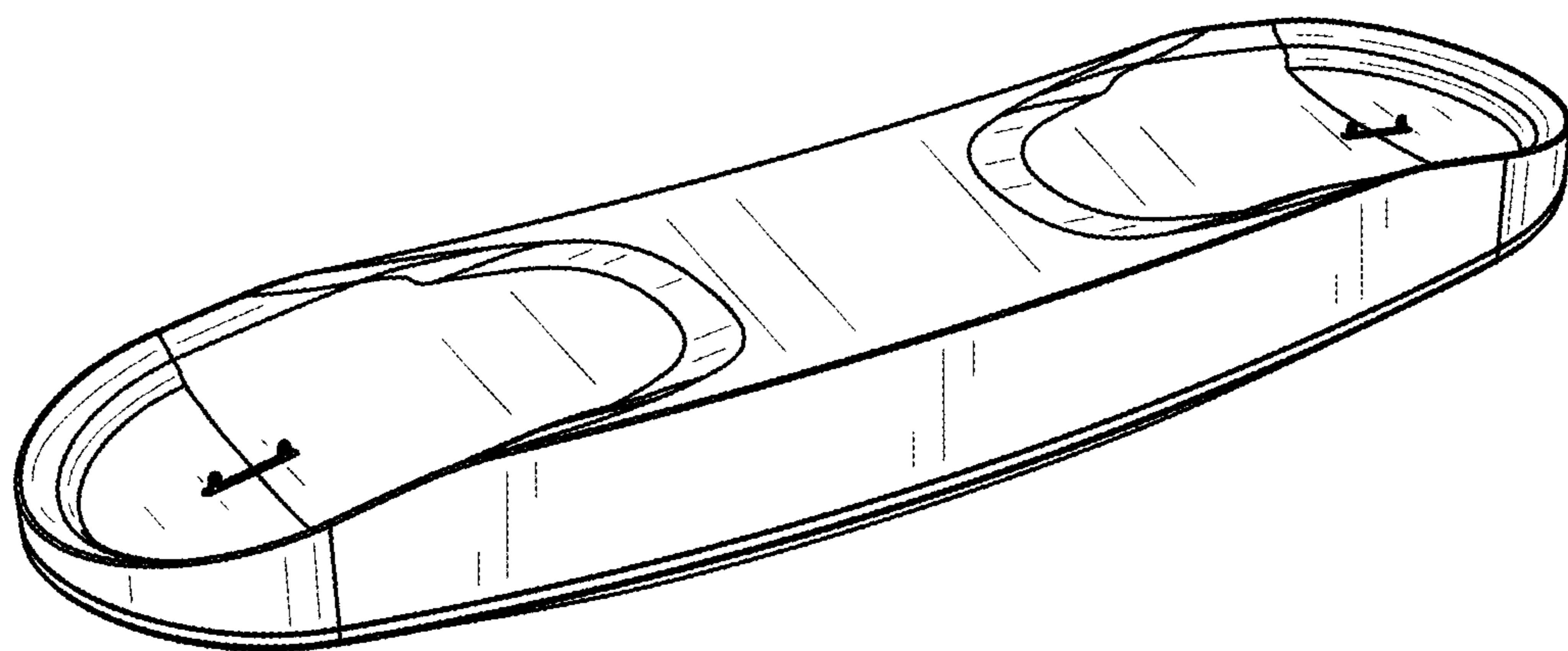


FIG. 1

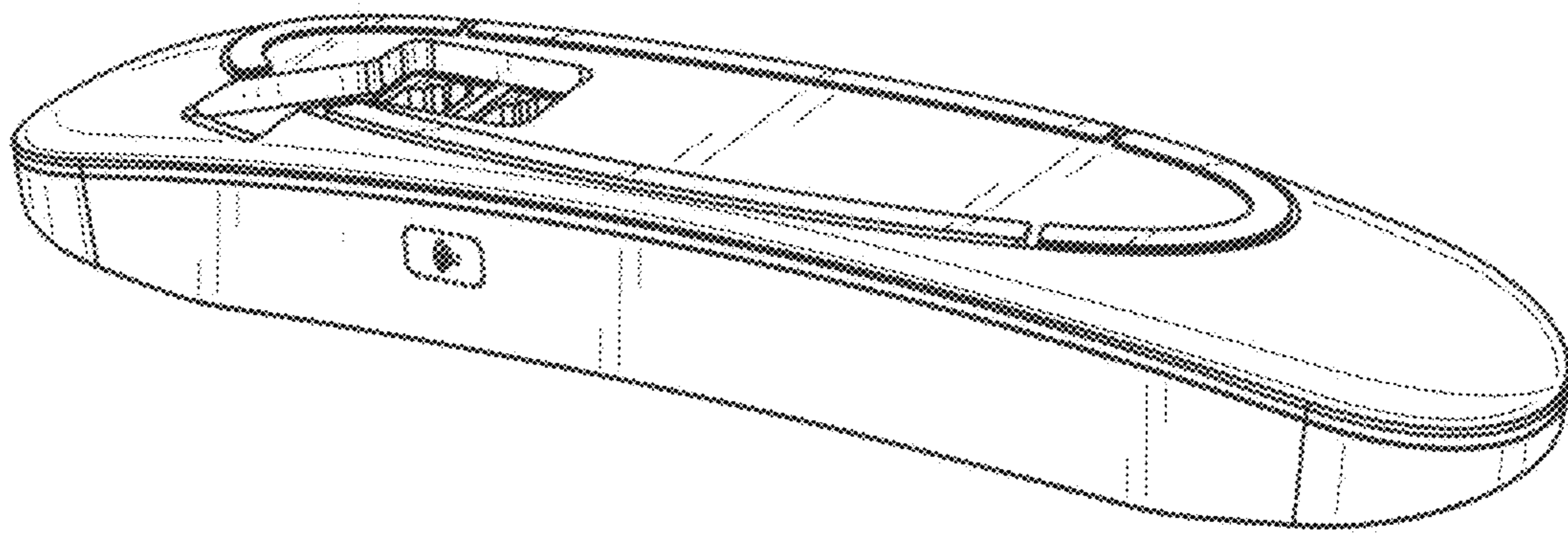


FIG. 2

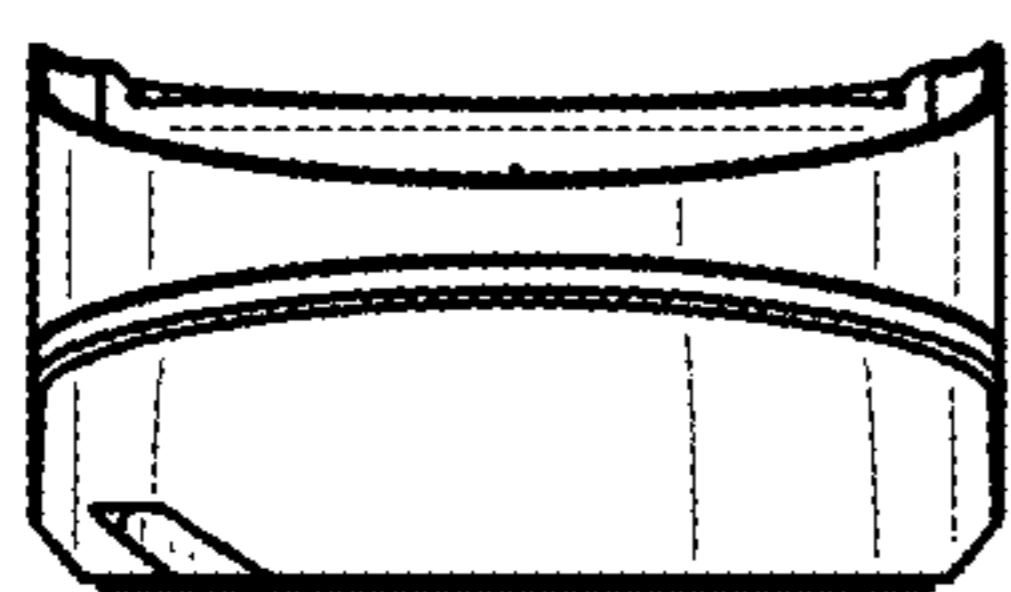


FIG. 3

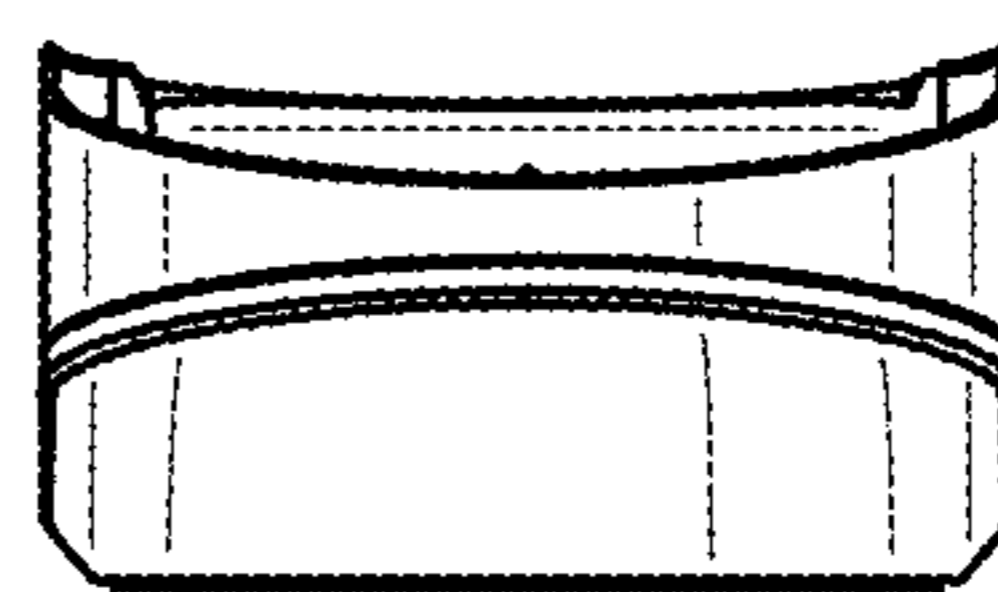


FIG. 4

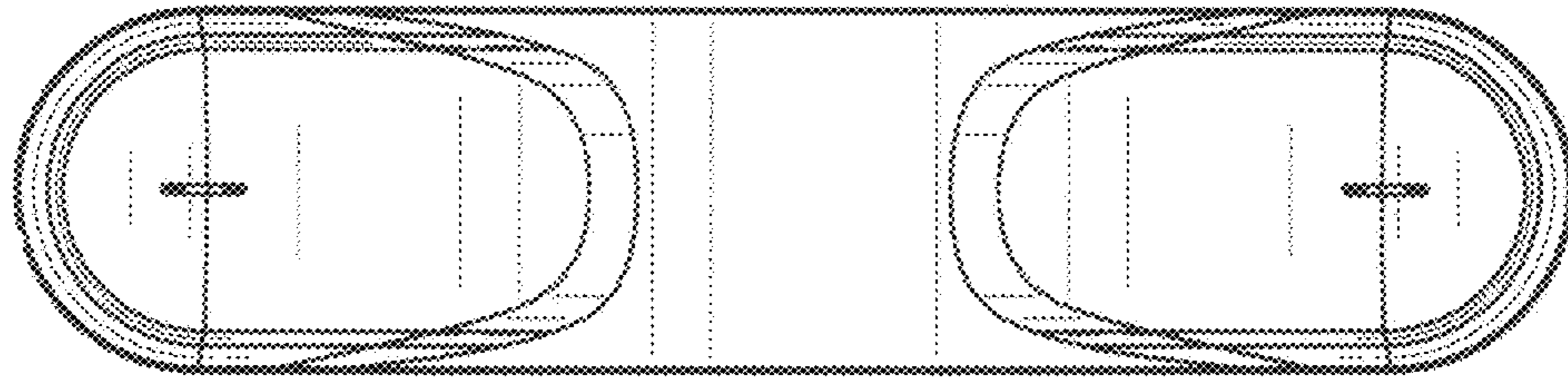


FIG. 5

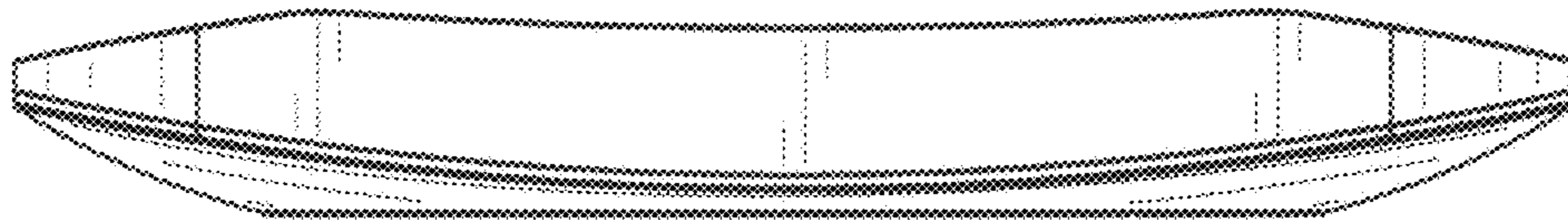


FIG. 6

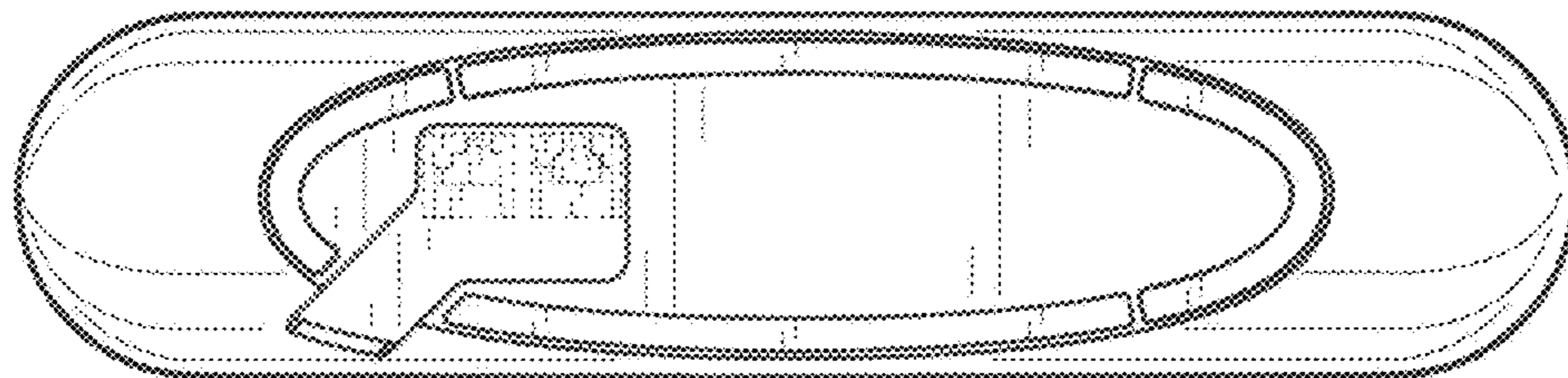


FIG. 7

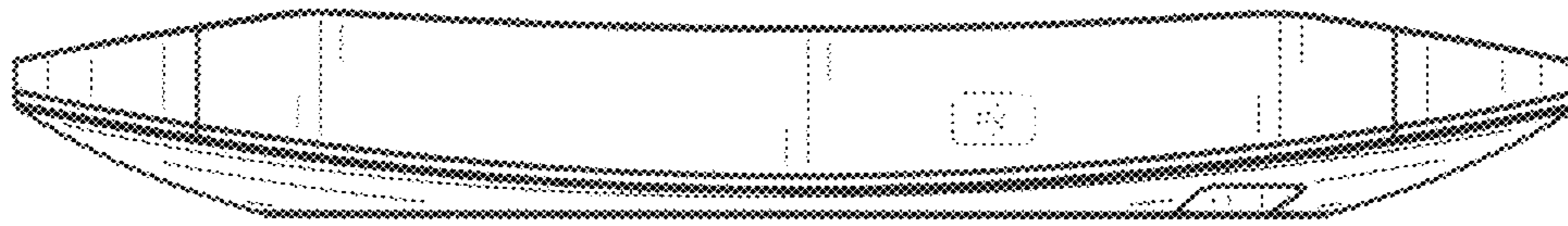


FIG. 8