



US00D812030S

(12) **United States Design Patent**  
**Kim et al.**

(10) **Patent No.:** **US D812,030 S**  
(45) **Date of Patent:** **\*\* Mar. 6, 2018**

(54) **TV RECEIVER**

(71) Applicant: **LG ELECTRONICS INC.**, Seoul (KR)

(72) Inventors: **Yooseok Kim**, Seoul (KR); **Jongyoun Shin**, Seoul (KR); **Sunha Park**, Seoul (KR); **Younsoo Kim**, Seoul (KR); **Byungmu Huh**, Seoul (KR)

(73) Assignee: **LG ELECTRONICS INC.**, Seoul (KR)

(\*\*) Term: **15 Years**

(21) Appl. No.: **35/501,868**

(22) Filed: **May 11, 2016**

(80) **Hague Agreement Data**

Int. Filing Date: **May 11, 2016**

Int. Reg. No.: **DM/092210**

Int. Reg. Date: **May 11, 2016**

Int. Reg. Pub. Date: **Nov. 11, 2016**

(30) **Foreign Application Priority Data**

Nov. 13, 2015 (KR) ..... 30-2015-0057387

(51) **LOC (11) Cl.** ..... **14-03**

(52) **U.S. Cl.**  
USPC ..... **D14/126**

(58) **Field of Classification Search**

USPC ..... D14/126, 127, 128, 336, 448

CPC ... G06F 1/1601; G06F 1/1643; H05K 5/0004;  
H05K 5/0017; H05K 5/02; H05K 5/0217

See application file for complete search history.

(56) **References Cited**

**U.S. PATENT DOCUMENTS**

D661,268 S \* 6/2012 Itou ..... D14/126

D700,586 S \* 3/2014 Kim ..... D14/126

D722,033 S \* 2/2015 Kim ..... D14/126  
D733,082 S \* 6/2015 Hwangbo ..... D14/126  
D754,086 S \* 4/2016 Valeur ..... D14/126  
D756,945 S \* 5/2016 Kim ..... D14/126  
D768,100 S \* 10/2016 Seo ..... D14/126  
D772,830 S \* 11/2016 Kim ..... D14/126  
D775,094 S \* 12/2016 Kim ..... D14/126  
D778,854 S \* 2/2017 Lee ..... D14/126  
D790,493 S \* 6/2017 Han ..... D14/126

\* cited by examiner

*Primary Examiner* — Michael A Pratt

(74) *Attorney, Agent, or Firm* — Birch, Stewart, Kolasch & Birch, LLP

(57) **CLAIM**

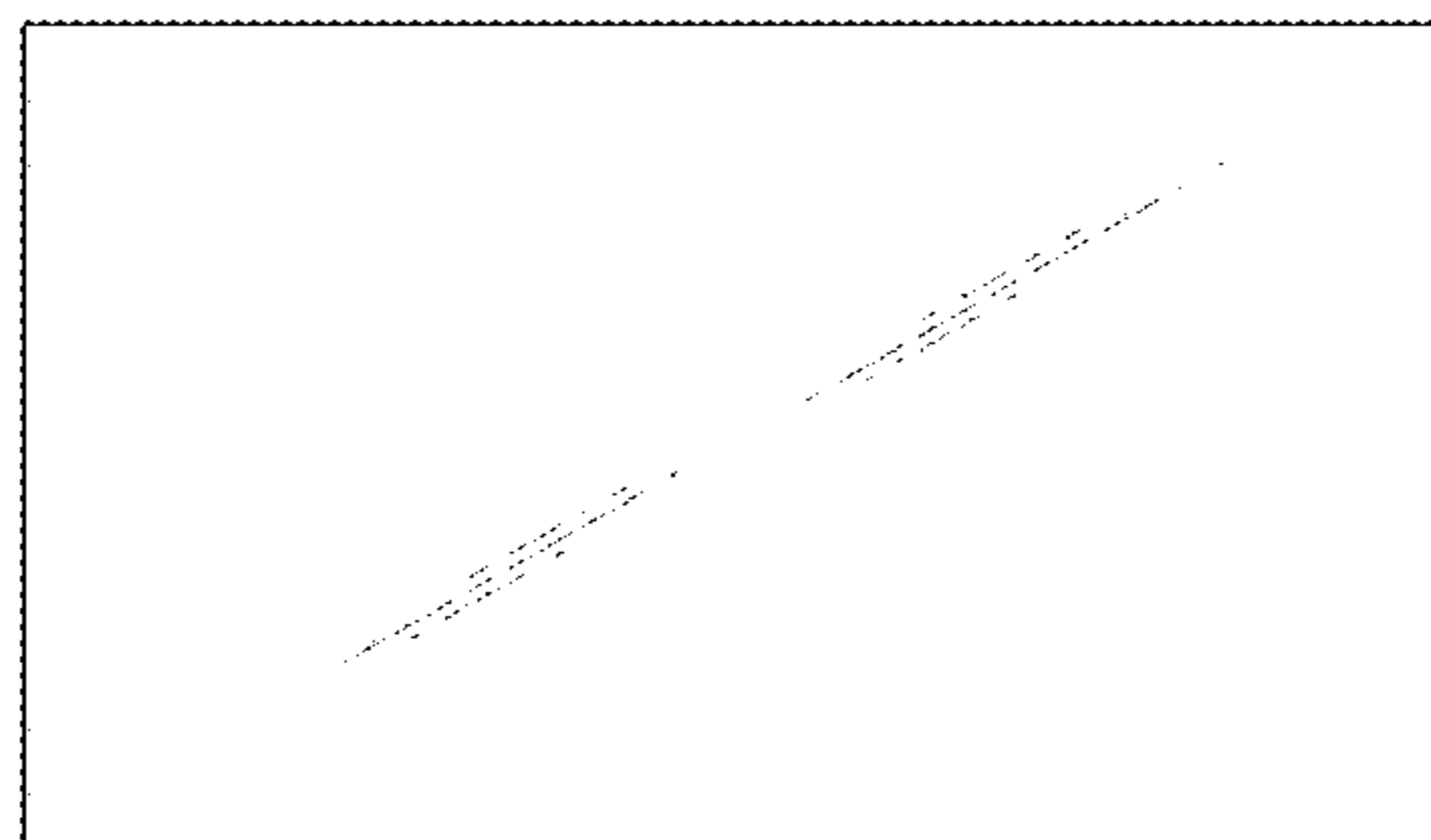
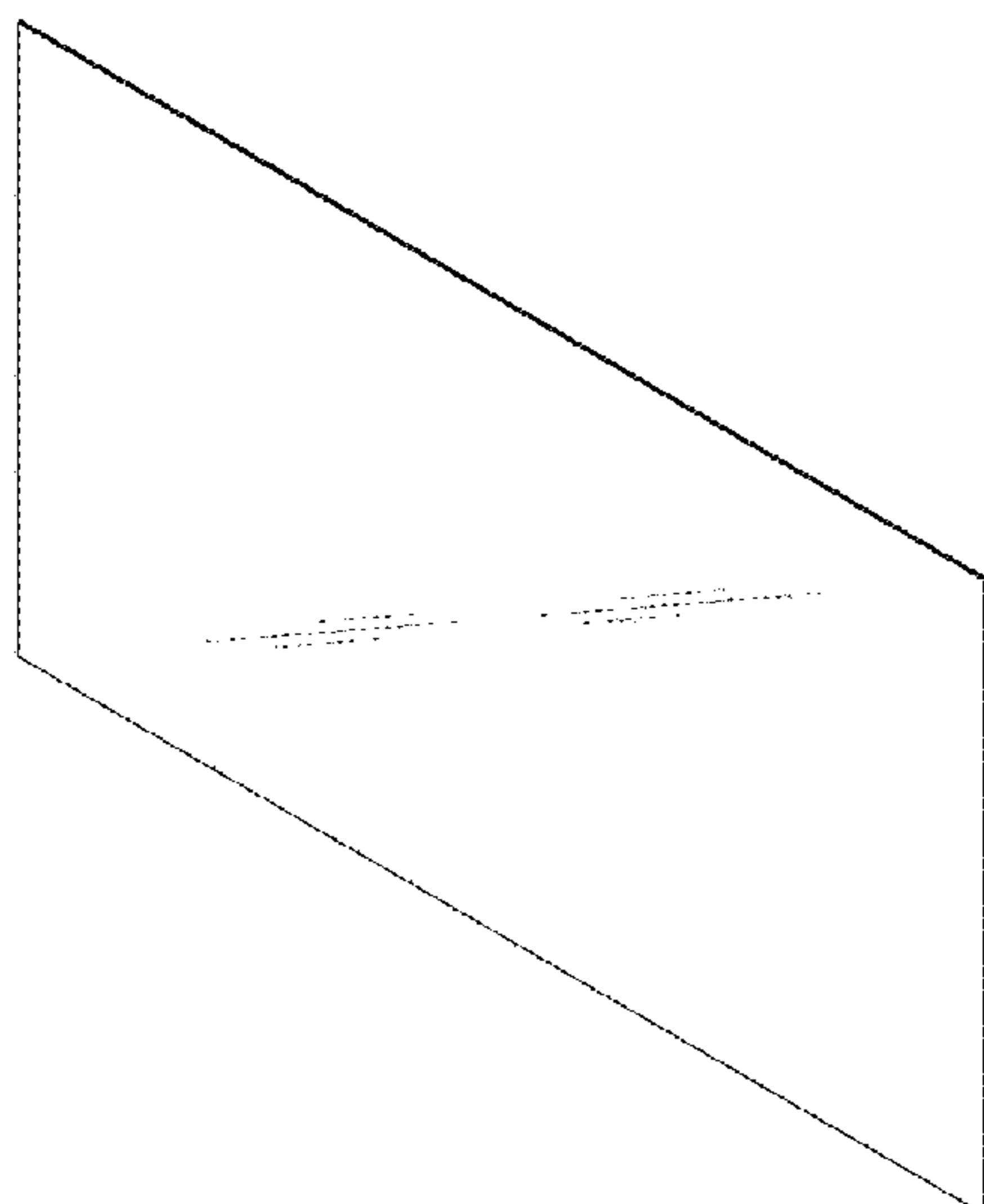
The ornamental design for a TV receiver, as shown and described.

**DESCRIPTION**

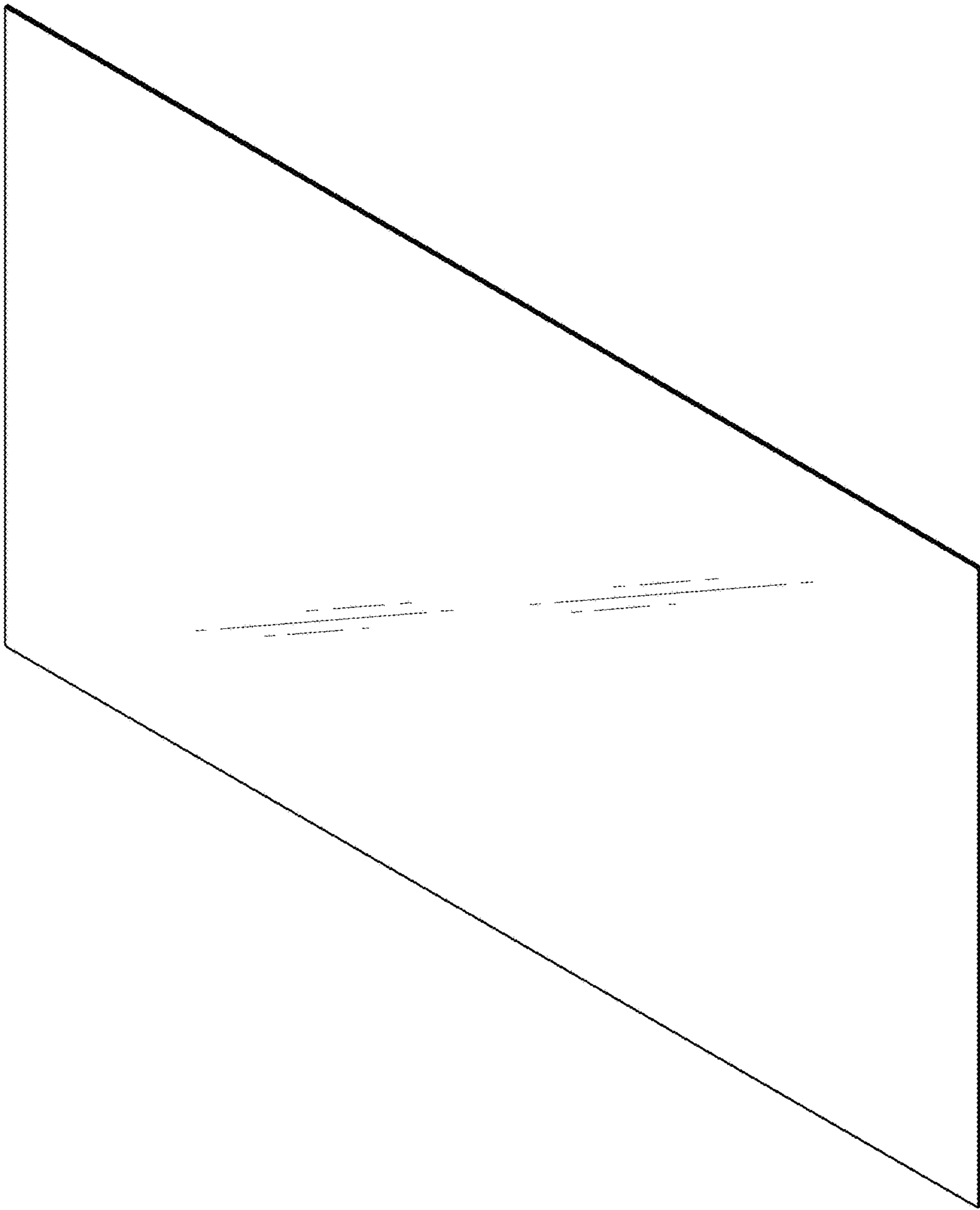
- 1. TV receiver
- 1.1 : Perspective
- 1.2 : Rear perspective
- 1.3 : Front
- 1.4 : Back
- 1.5 : Left
- 1.6 : Right
- 1.7 : Top
- 1.8 : Bottom
- 1.9 : Reference
- 1.10 : Enlarged
- 1.11 : Enlarged
- 1.12 : Cross-sectional
- 1.13 : Enlarged
- 1.14 : Enlarged

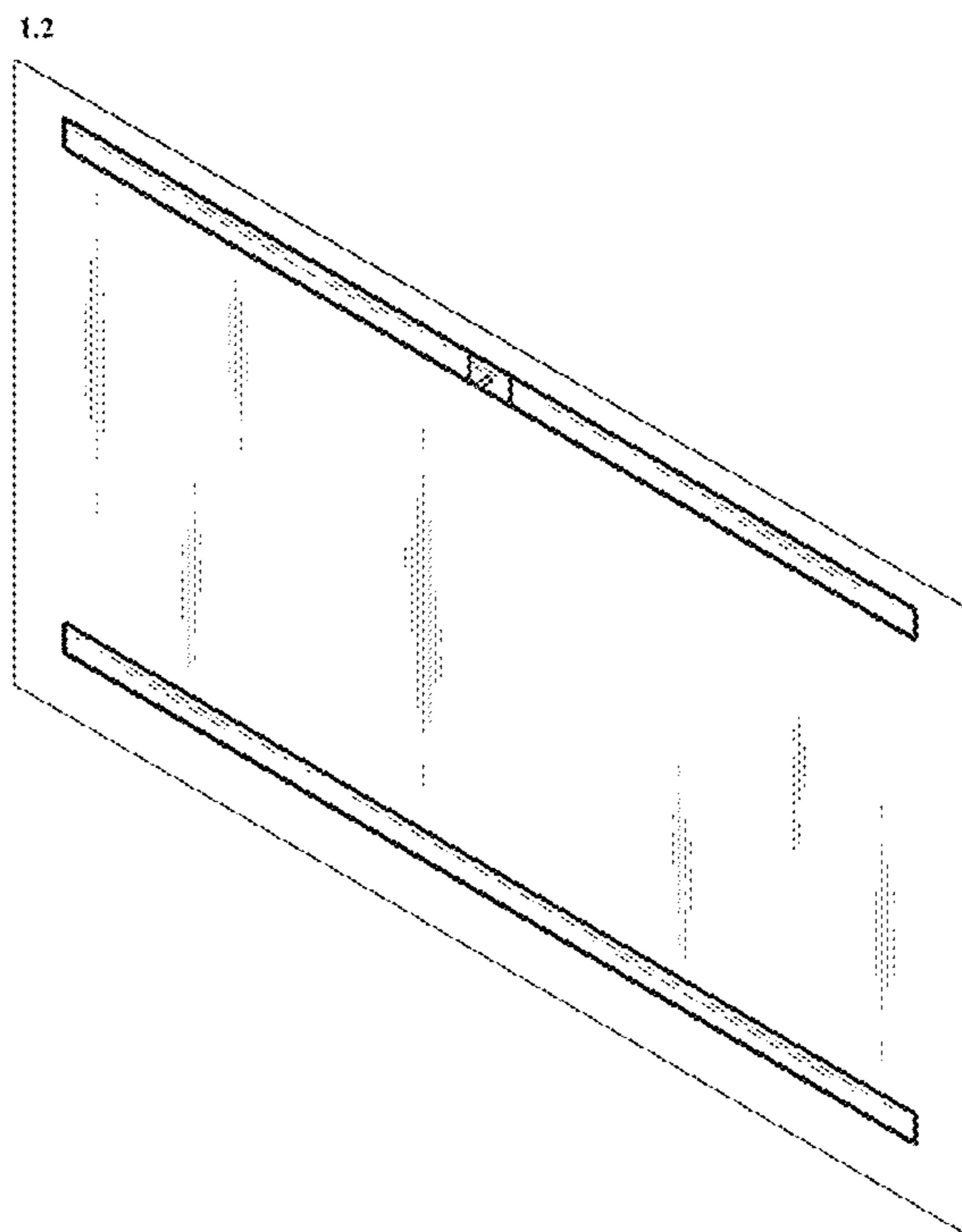
The gist of the present ornamental design is a combination of shape and pattern of a TV receiver, as shown and described.

**1 Claim, 14 Drawing Sheets**

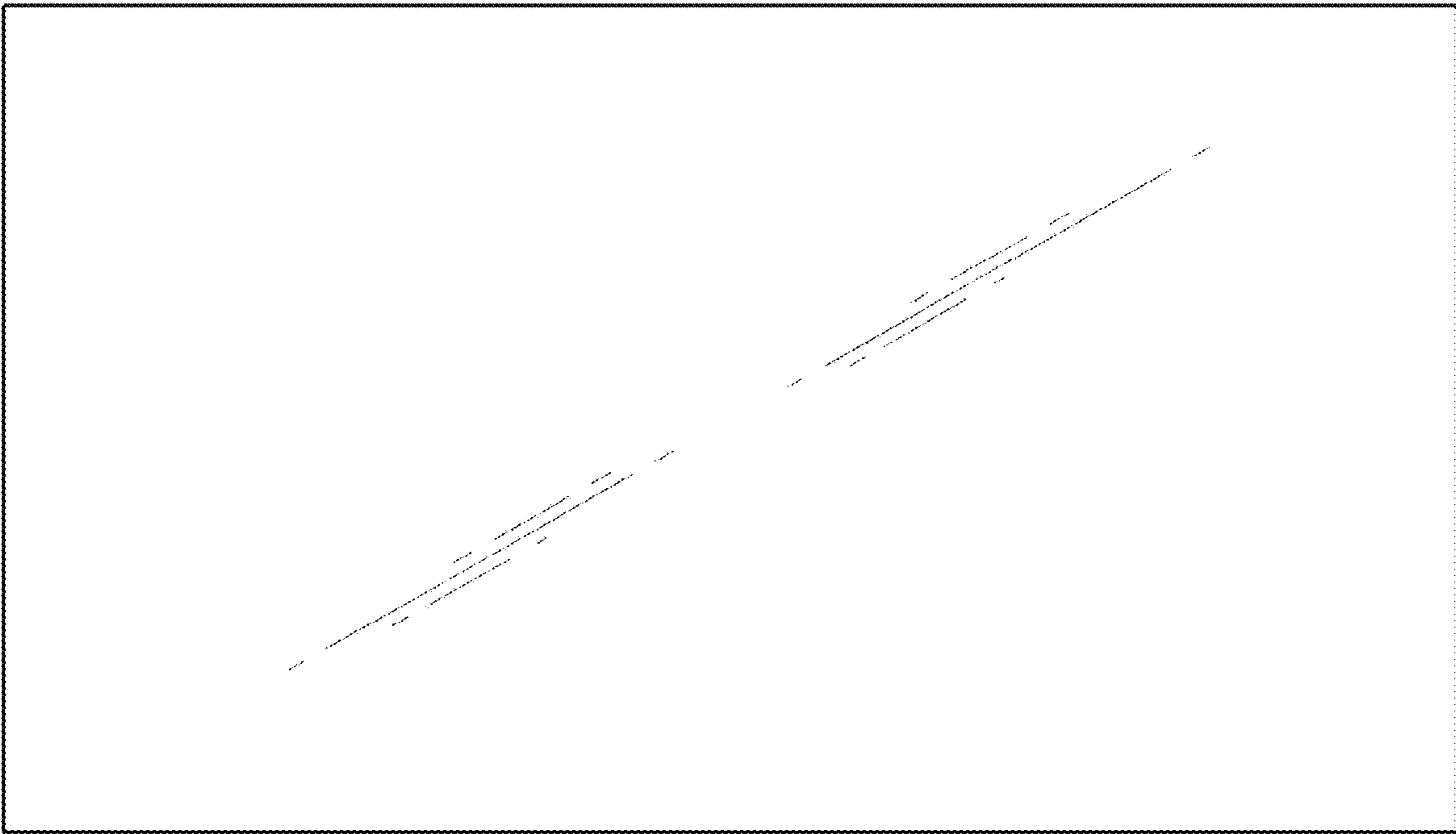


1.1

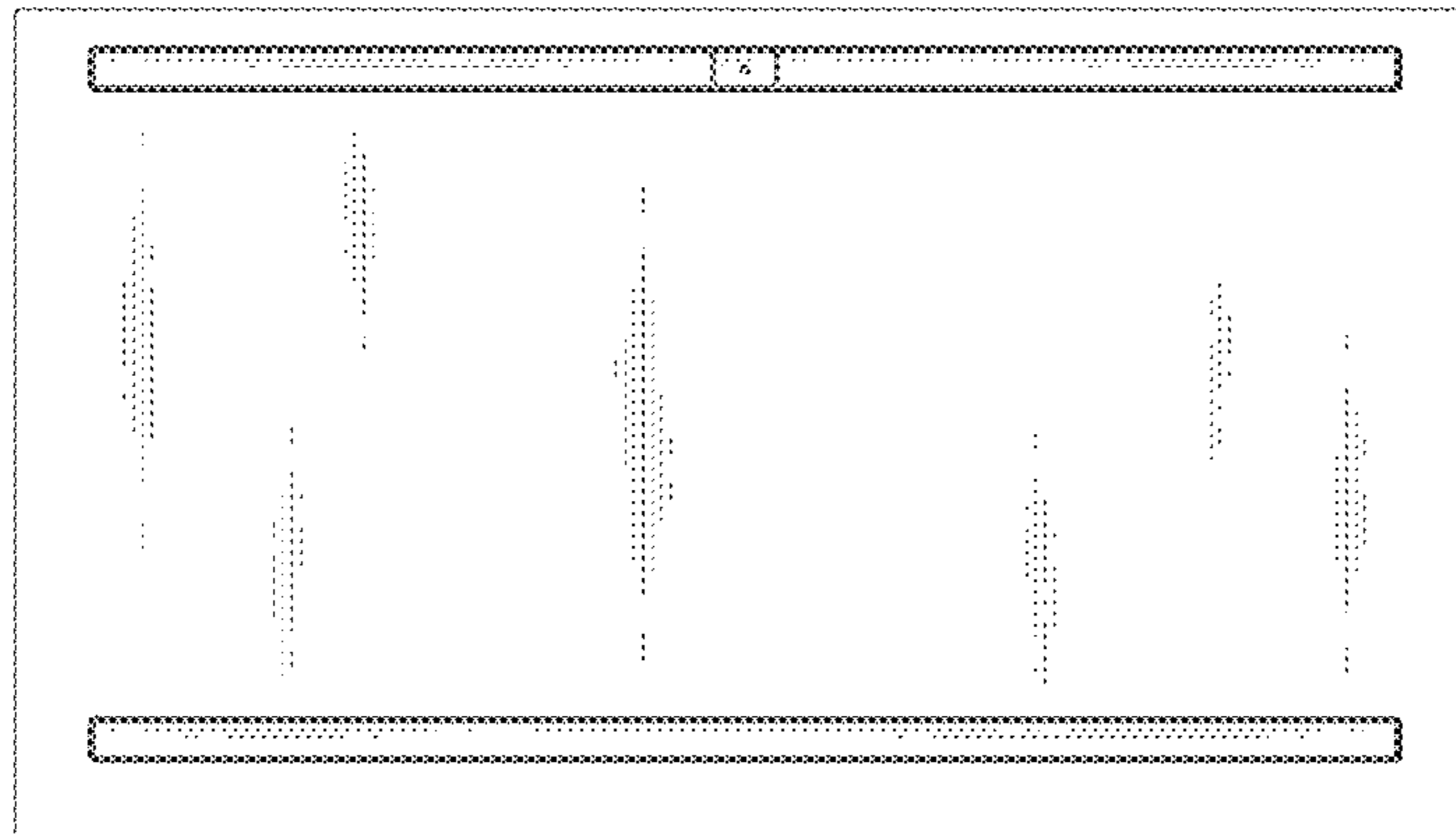




1.3



1.4



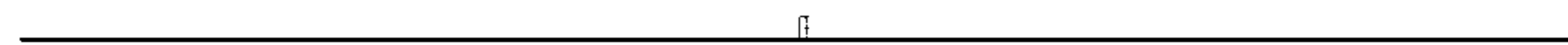
15



1.6



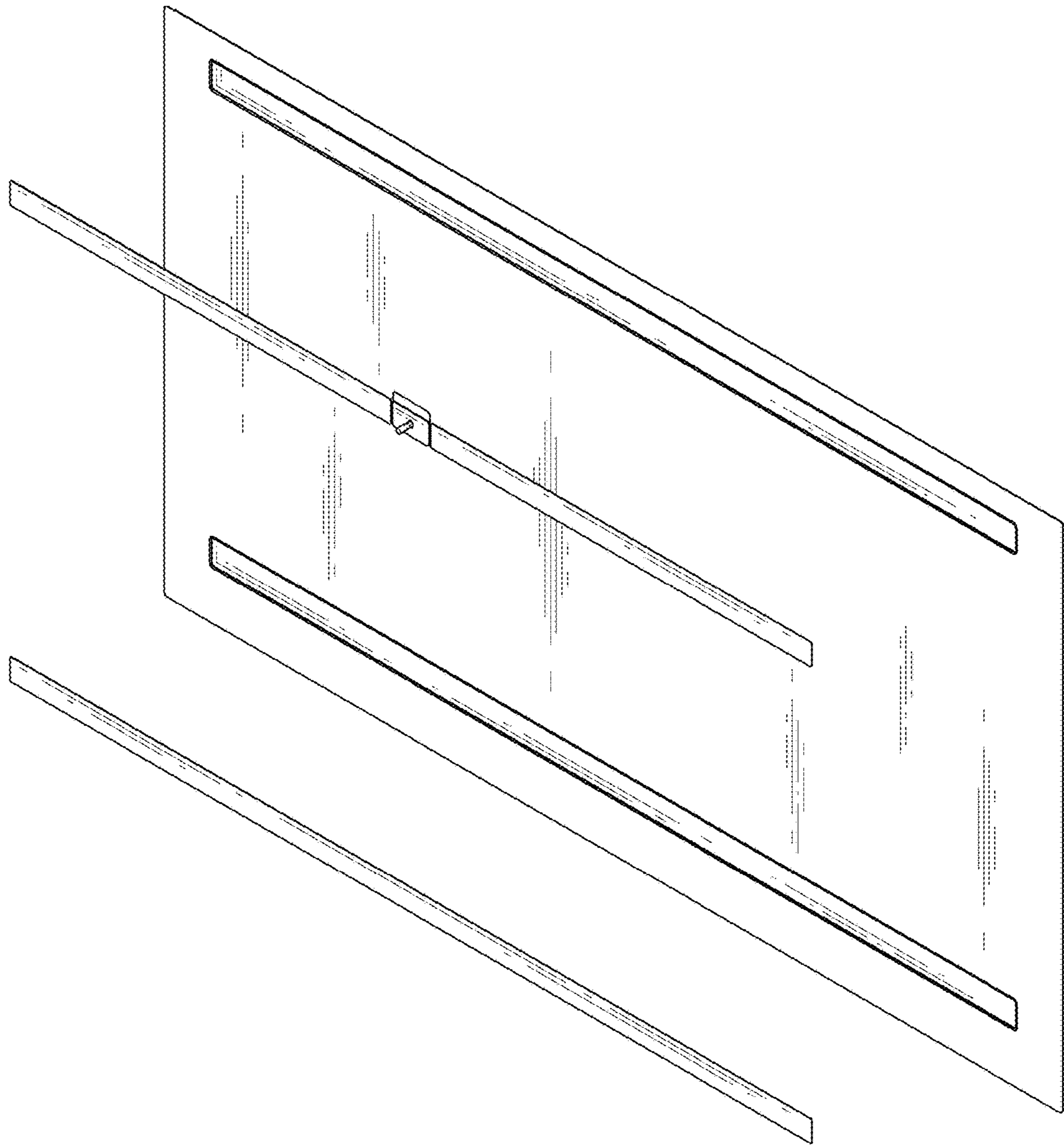
1.7



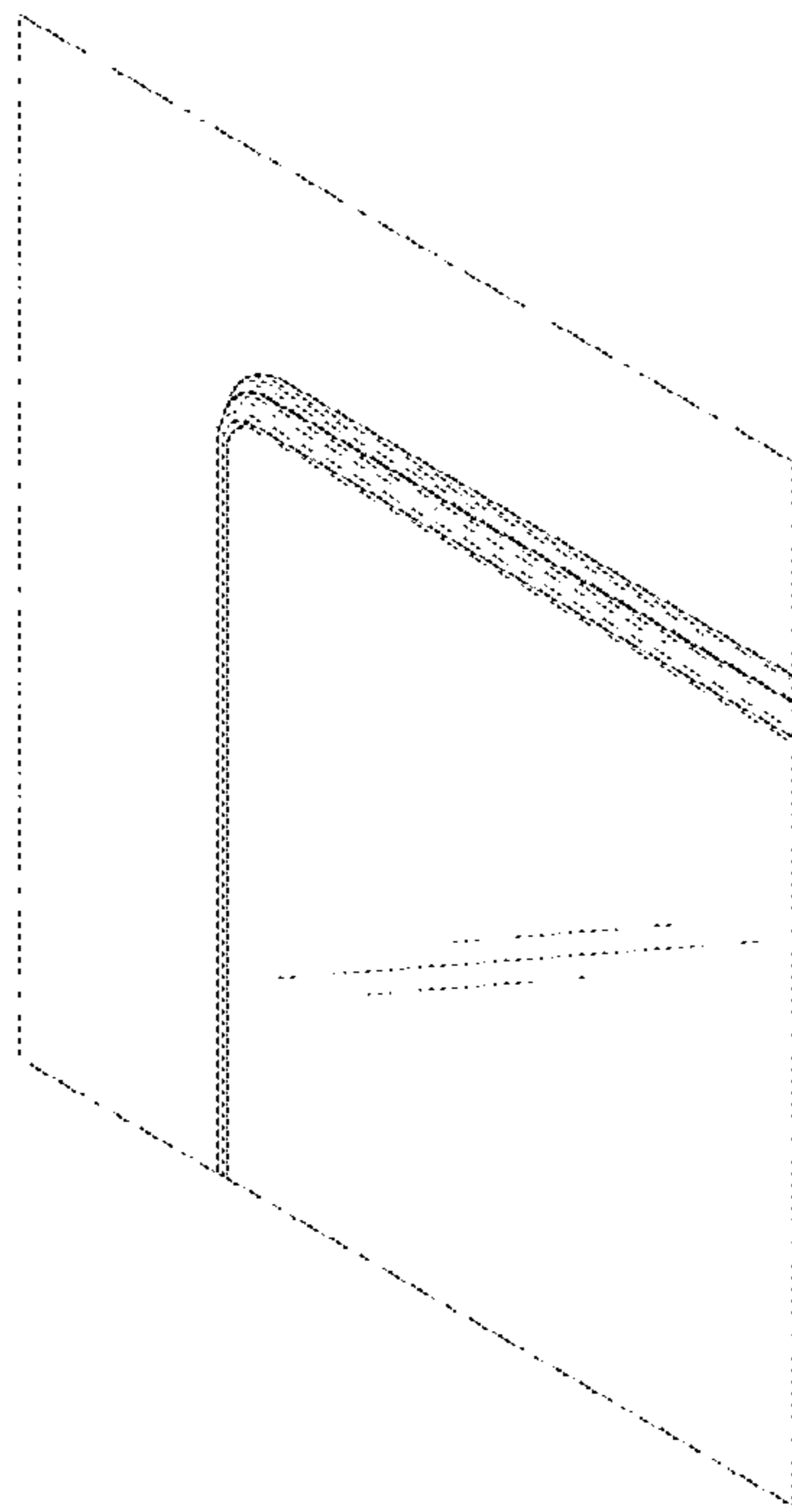




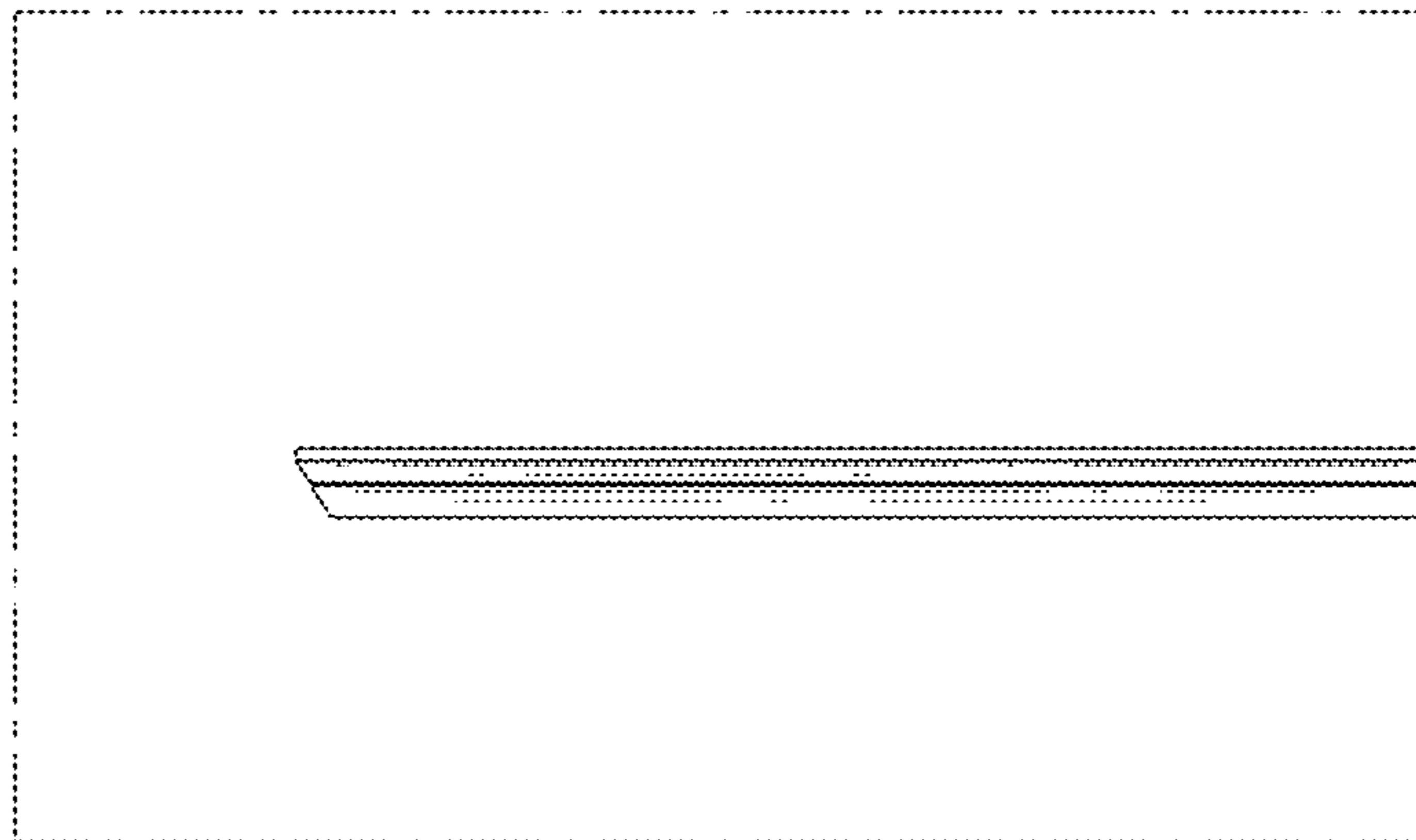
1.9



130



1.11



1.12



1.13

