

US00D812029S

(12) **United States Design Patent**
Kim et al.

(10) **Patent No.:** **US D812,029 S**
(45) **Date of Patent:** **** Mar. 6, 2018**

(54) **TV RECEIVER**

(71) Applicant: **LG ELECTRONICS INC.**, Seoul (KR)

(72) Inventors: **Yooseok Kim**, Seoul (KR); **Jongyoun Shin**, Seoul (KR); **Sunha Park**, Seoul (KR); **Younsoo Kim**, Seoul (KR); **Byungmu Huh**, Seoul (KR)

(73) Assignee: **LG ELECTRONICS INC.**, Seoul (KR)

(**) Term: **15 Years**

(21) Appl. No.: **35/501,866**

(22) Filed: **May 11, 2016**

(80) **Hague Agreement Data**

Int. Filing Date: **May 11, 2016**

Int. Reg. No.: **DM/092208**

Int. Reg. Date: **May 11, 2016**

Int. Reg. Pub. Date: **Nov. 11, 2016**

(30) **Foreign Application Priority Data**

Nov. 13, 2015 (KR) 30-2015-0057388

(51) **LOC (11) Cl.** **14-03**

(52) **U.S. Cl.**
USPC **D14/126**

(58) **Field of Classification Search**
USPC D14/126, 127, 128, 336, 448
CPC ... G06F 1/1601; G06F 1/1643; H05K 5/0004;
H05K 5/0017; H05K 5/02; H05K 5/0217
See application file for complete search history.

(56) **References Cited**

U.S. PATENT DOCUMENTS

D661,268 S * 6/2012 Itou D14/126
D700,586 S * 3/2014 Kim D14/126

D722,033 S * 2/2015 Kim D14/126
D733,082 S * 6/2015 Hwangbo D14/126
D754,086 S * 4/2016 Valeur D14/126
D756,945 S * 5/2016 Kim D14/126
D768,100 S * 10/2016 Seo D14/126
D772,830 S * 11/2016 Kim D14/126
D775,094 S * 12/2016 Kim D14/126
D778,854 S * 2/2017 Lee D14/126
D790,493 S * 6/2017 Han D14/126

* cited by examiner

Primary Examiner — Michael A Pratt

(74) *Attorney, Agent, or Firm* — Birch, Stewart, Kolasch & Birch, LLP

(57) **CLAIM**

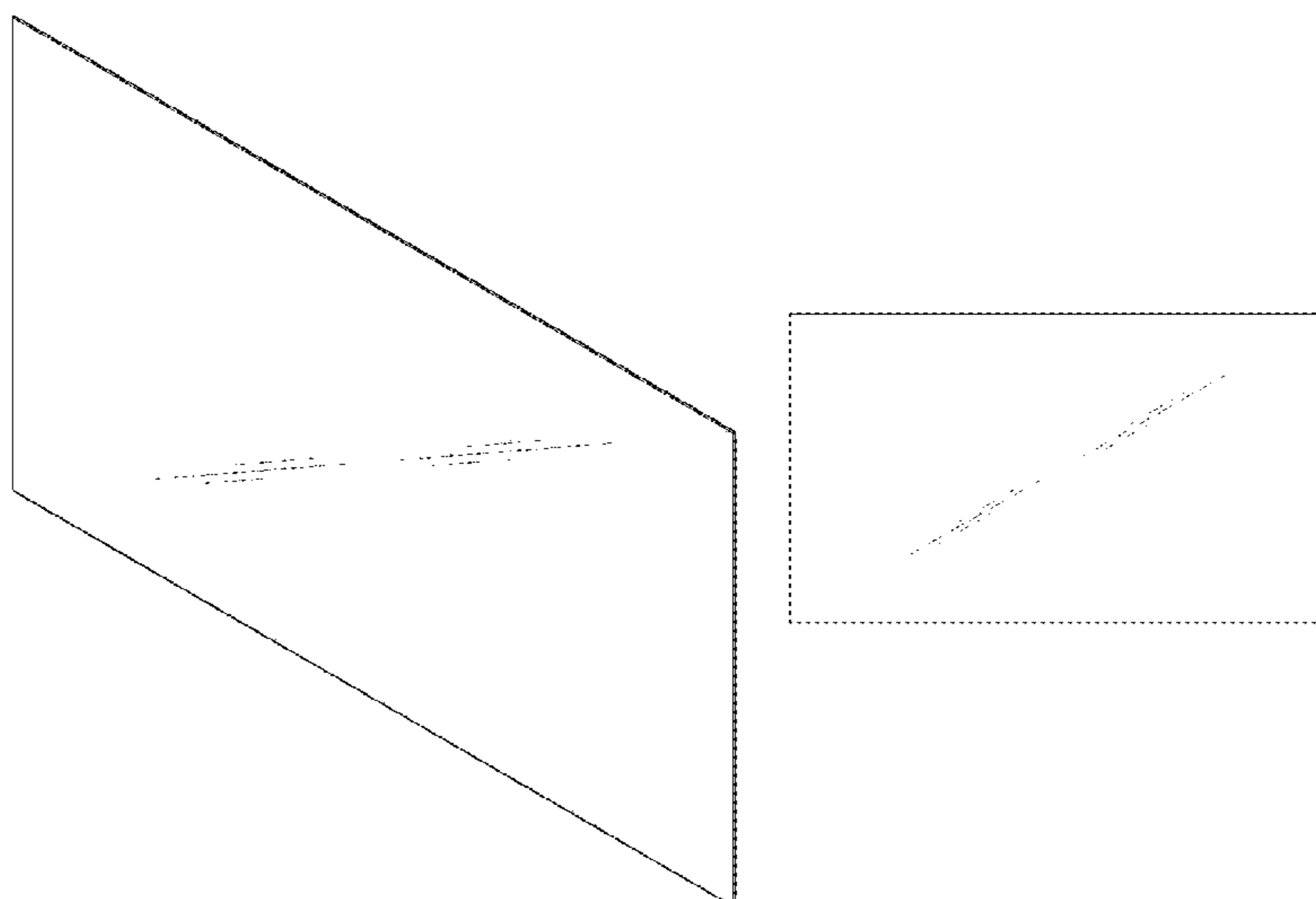
The ornamental design for a TV receiver, as shown and described.

DESCRIPTION

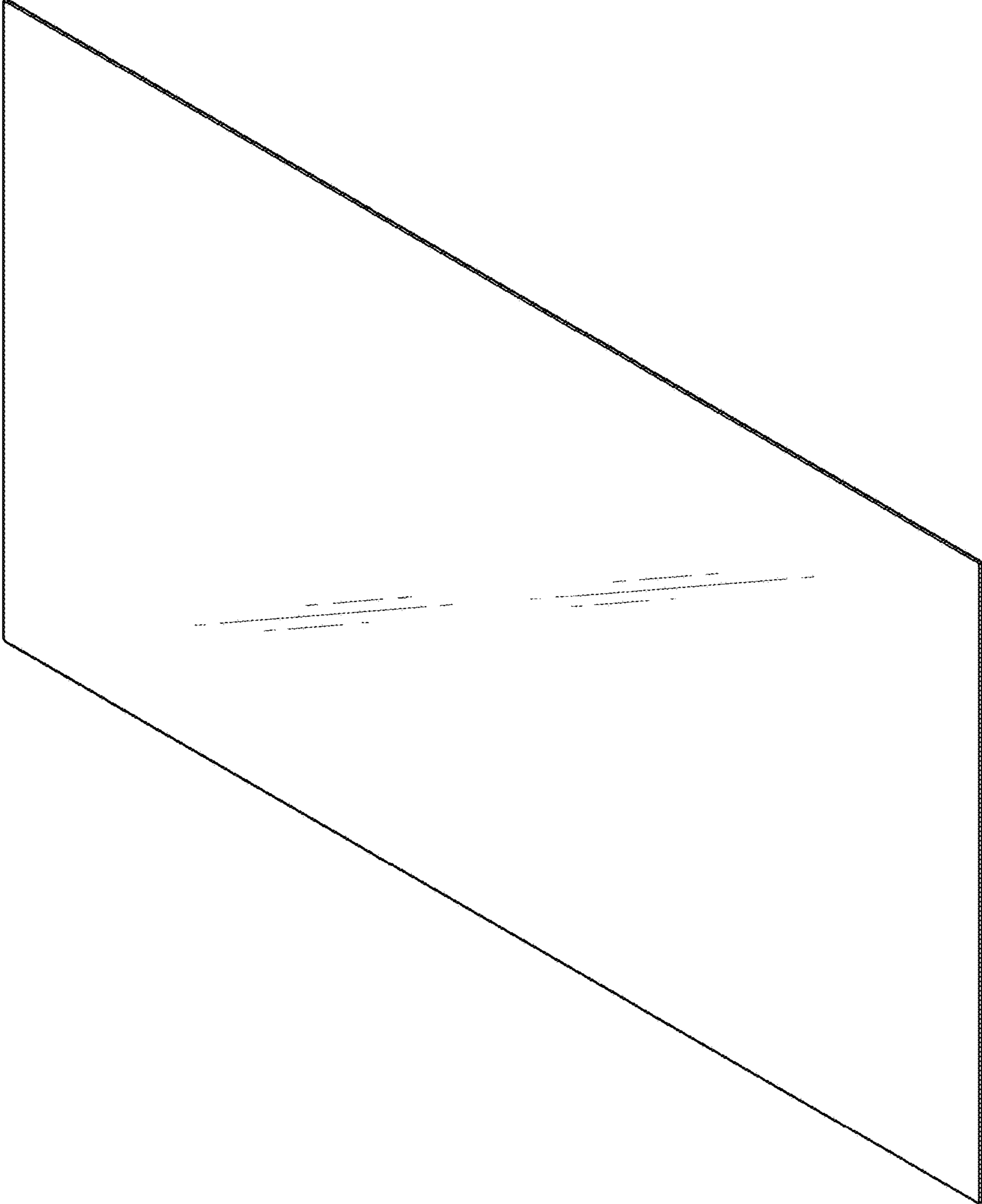
- 1. TV receiver
- 1.1 : Perspective
- 1.2 : Rear perspective
- 1.3 : Front
- 1.4 : Back
- 1.5 : Left
- 1.6 : Right
- 1.7 : Top
- 1.8 : Bottom
- 1.9 : Reference
- 1.10 : Enlarged
- 1.11 : Enlarged
- 1.12 : Cross-sectional
- 1.13 : Enlarged
- 1.14 : Enlarged

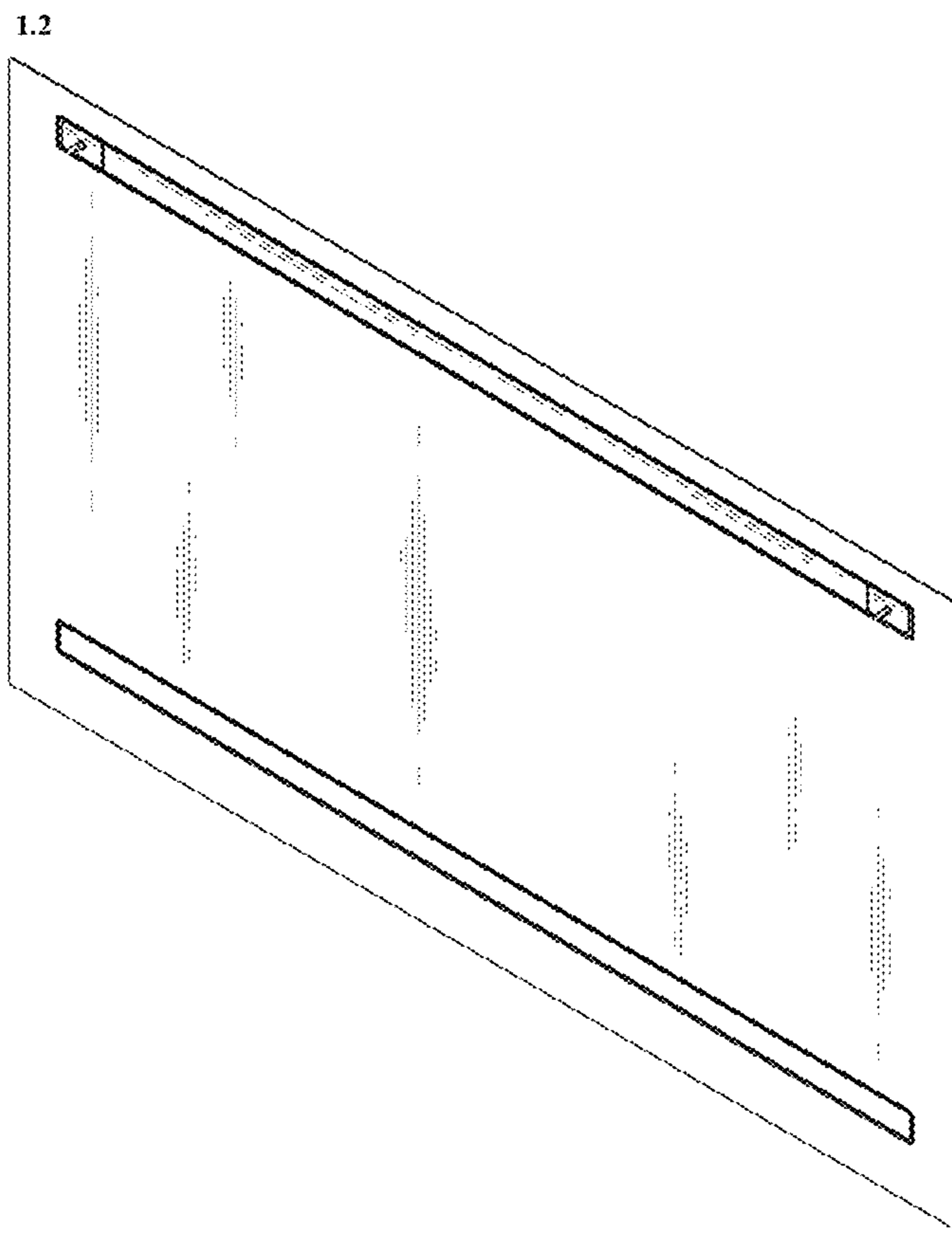
The gist of the present ornamental design is a combination of shape and pattern of a TV receiver, as shown and described.

1 Claim, 14 Drawing Sheets

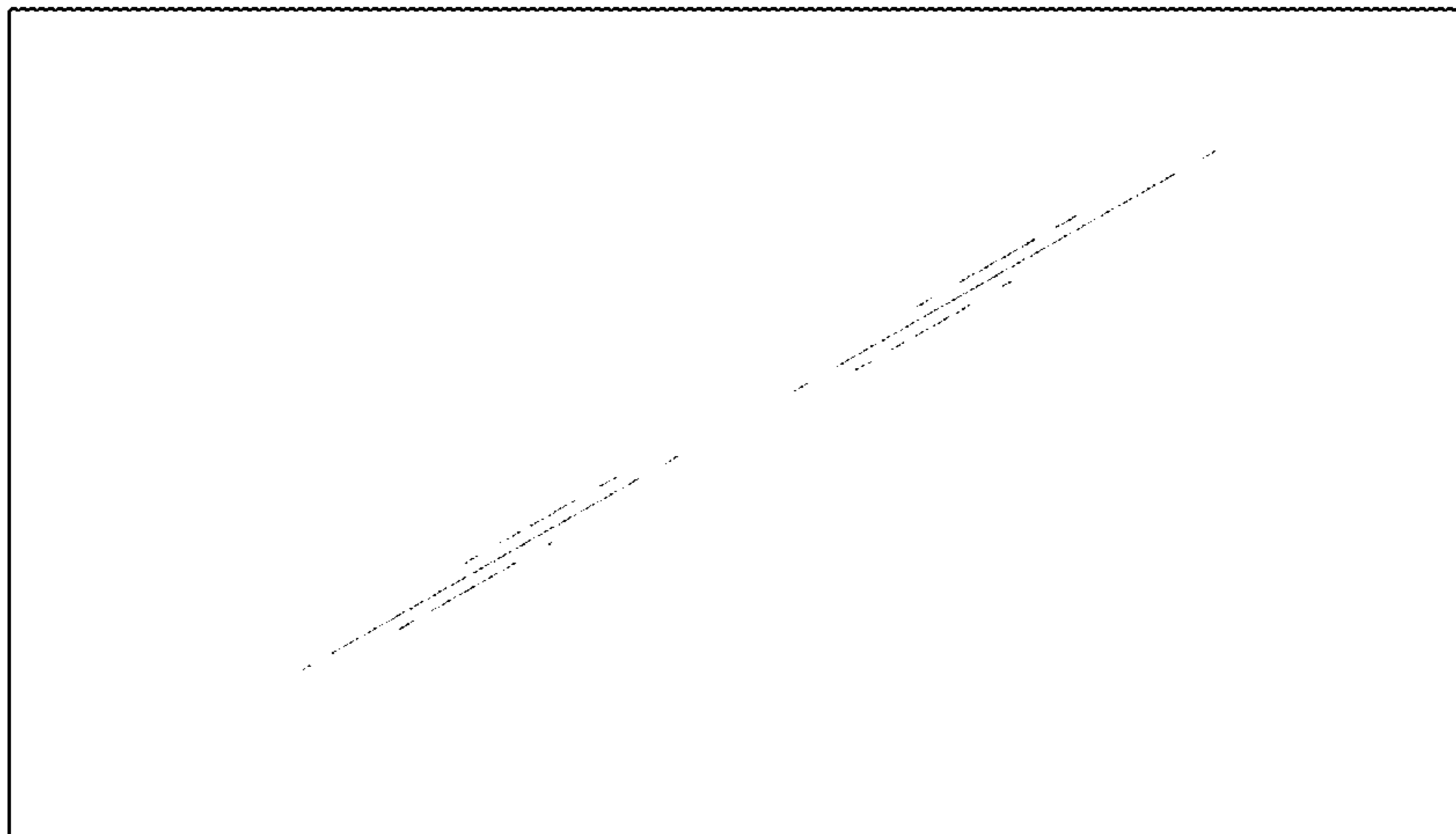


1.1

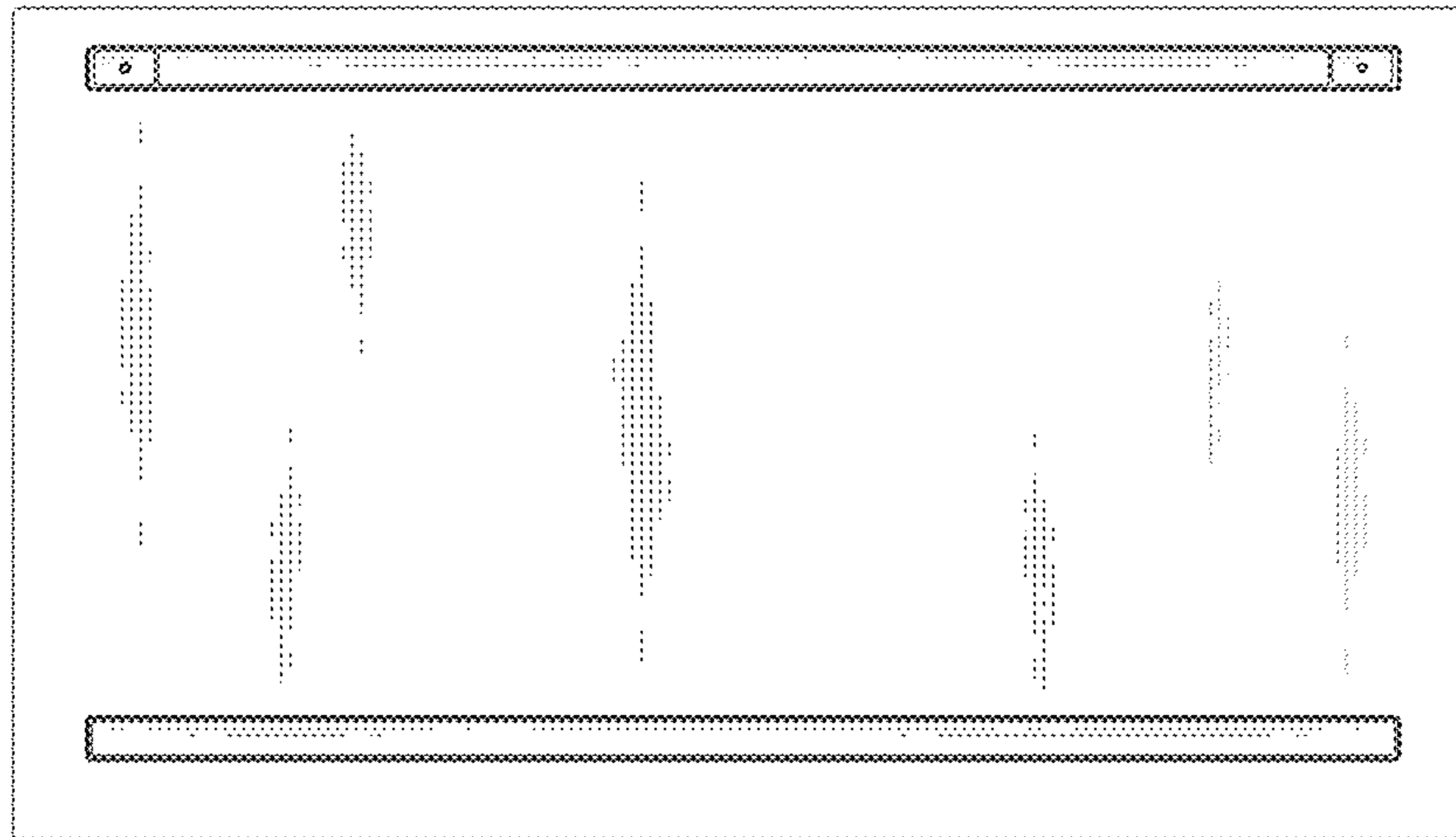




1.3



1.4





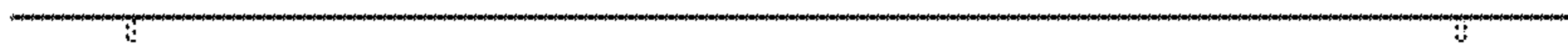
1.6



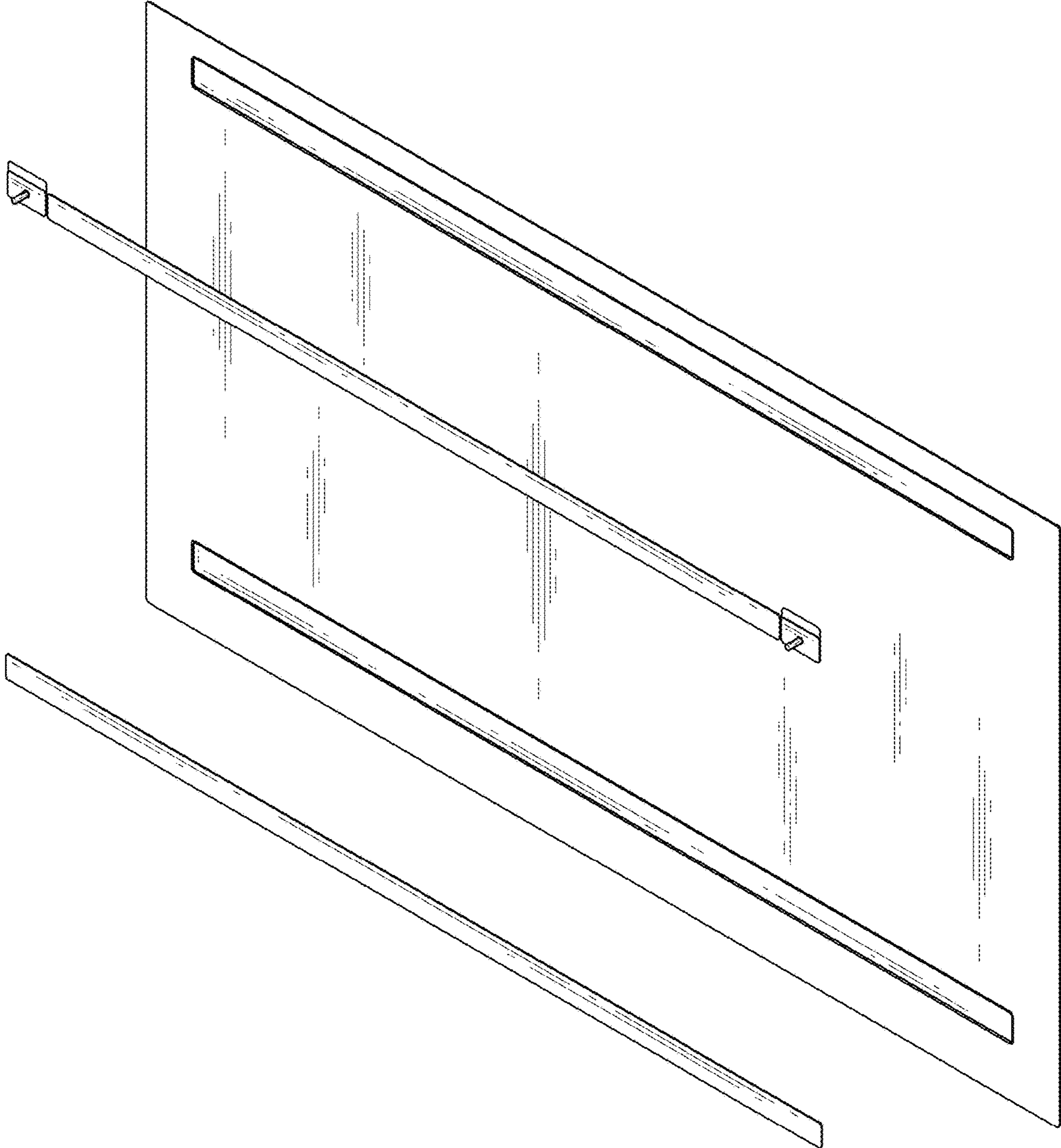
1.7

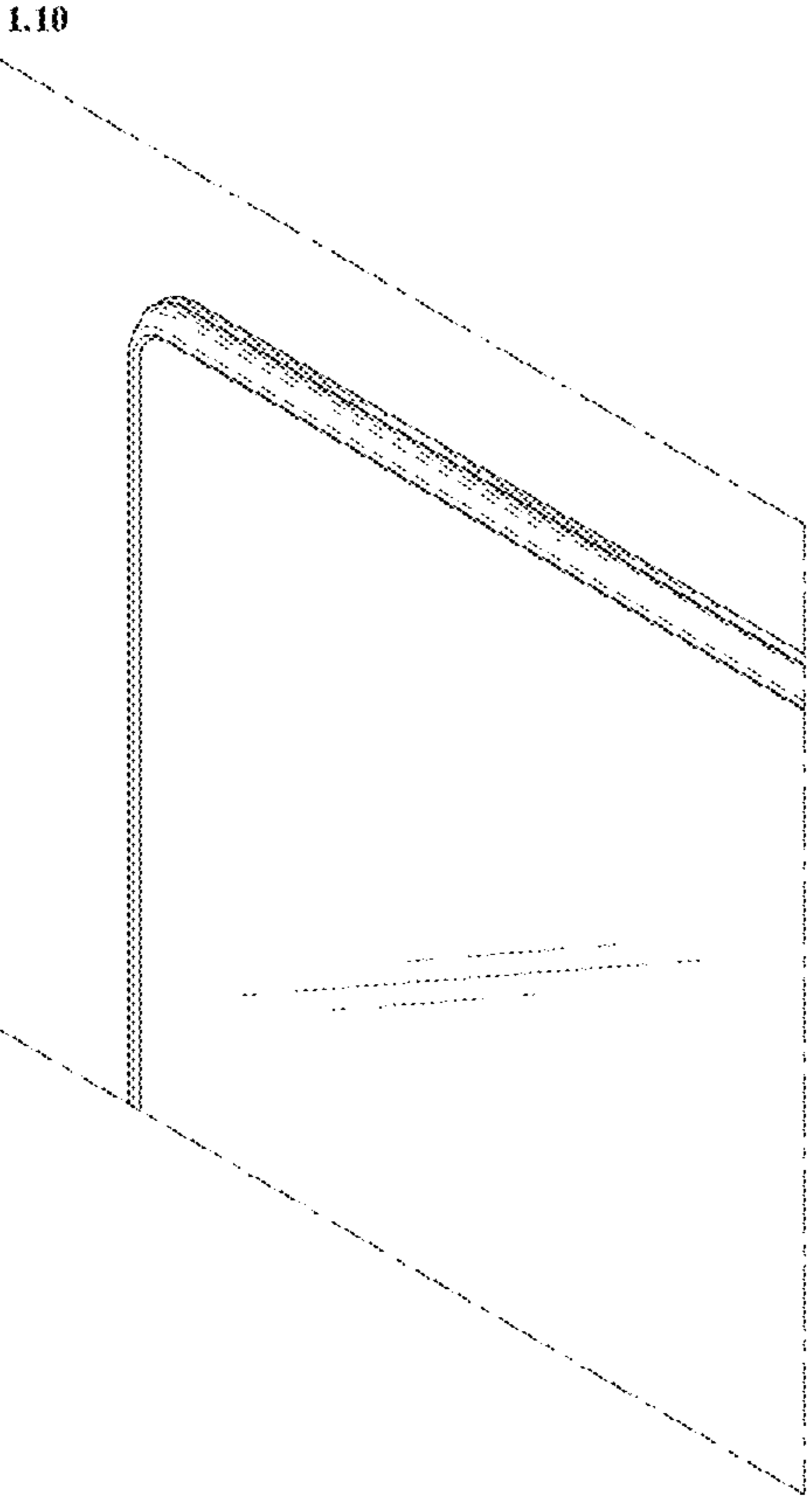


1.8

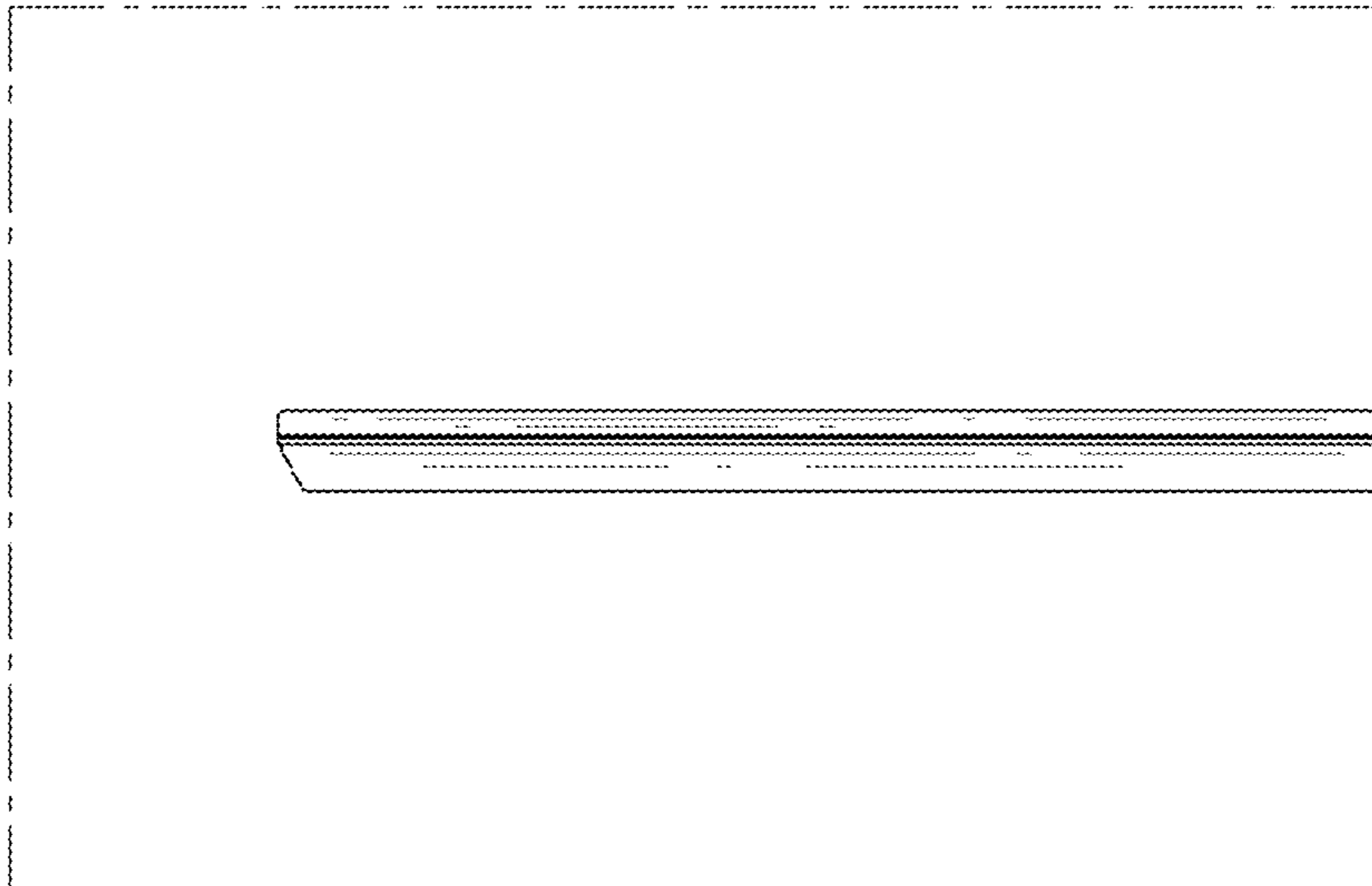


1.9





1.11



1.12



1.13

