



US00D812028S

(12) **United States Design Patent**  
**Kim et al.**

(10) **Patent No.:** **US D812,028 S**  
(45) **Date of Patent:** **\*\* \*Mar. 6, 2018**

(54) **TELEVISION RECEIVER**

(71) Applicant: **LG ELECTRONICS INC.**, Seoul  
(KR)

(72) Inventors: **Byungsoo Kim**, Seoul (KR); **Seongahn Jeon**, Seoul (KR); **Sangho Lee**, Seoul (KR); **Hyuntae Ahn**, Seoul (KR); **Sanggi Kim**, Seoul (KR)

(73) Assignee: **LG ELECTRONICS INC.**, Seoul  
(KR)

(\*) Notice: This patent is subject to a terminal disclaimer.

(\*\*) Term: **15 Years**

(21) Appl. No.: **35/501,218**

(22) Filed: **Feb. 3, 2016**

(80) **Hague Agreement Data**

Int. Filing Date: **Feb. 3, 2016**  
Int. Reg. No.: **DM/091400**  
Int. Reg. Date: **Feb. 3, 2016**  
Int. Reg. Pub. Date: **Jul. 15, 2016**

(30) **Foreign Application Priority Data**

Aug. 5, 2015 (KR) ..... 30-2015-0039648

(51) **LOC (11) Cl.** ..... **14-03**

(52) **U.S. Cl.**  
USPC ..... **D14/126**

(58) **Field of Classification Search**

USPC ..... D14/125-134, 159, 239, 341, 342, 346,  
D14/347, 336, 371, 374-377, 420, 426,  
(Continued)

(56) **References Cited**

U.S. PATENT DOCUMENTS

D533,170 S \* 12/2006 Yamamoto ..... D14/239  
D550,636 S \* 9/2007 DeMaio ..... D14/126  
(Continued)

OTHER PUBLICATIONS

The 10 most outrageous TVs of CES 2016, announced Jan. 7, 2016 [online], [site visited Jun. 20, 2017]. Available from Internet, URL: <<http://www.techhive.com/article/3019887/ces/the-10-most-outrageous-tvs-of-ces-2016.html>>.\*

(Continued)

*Primary Examiner* — Barbara Fox  
*Assistant Examiner* — Dana K Weiland

(74) *Attorney, Agent, or Firm* — Birch, Stewart, Kolasch & Birch, LLP

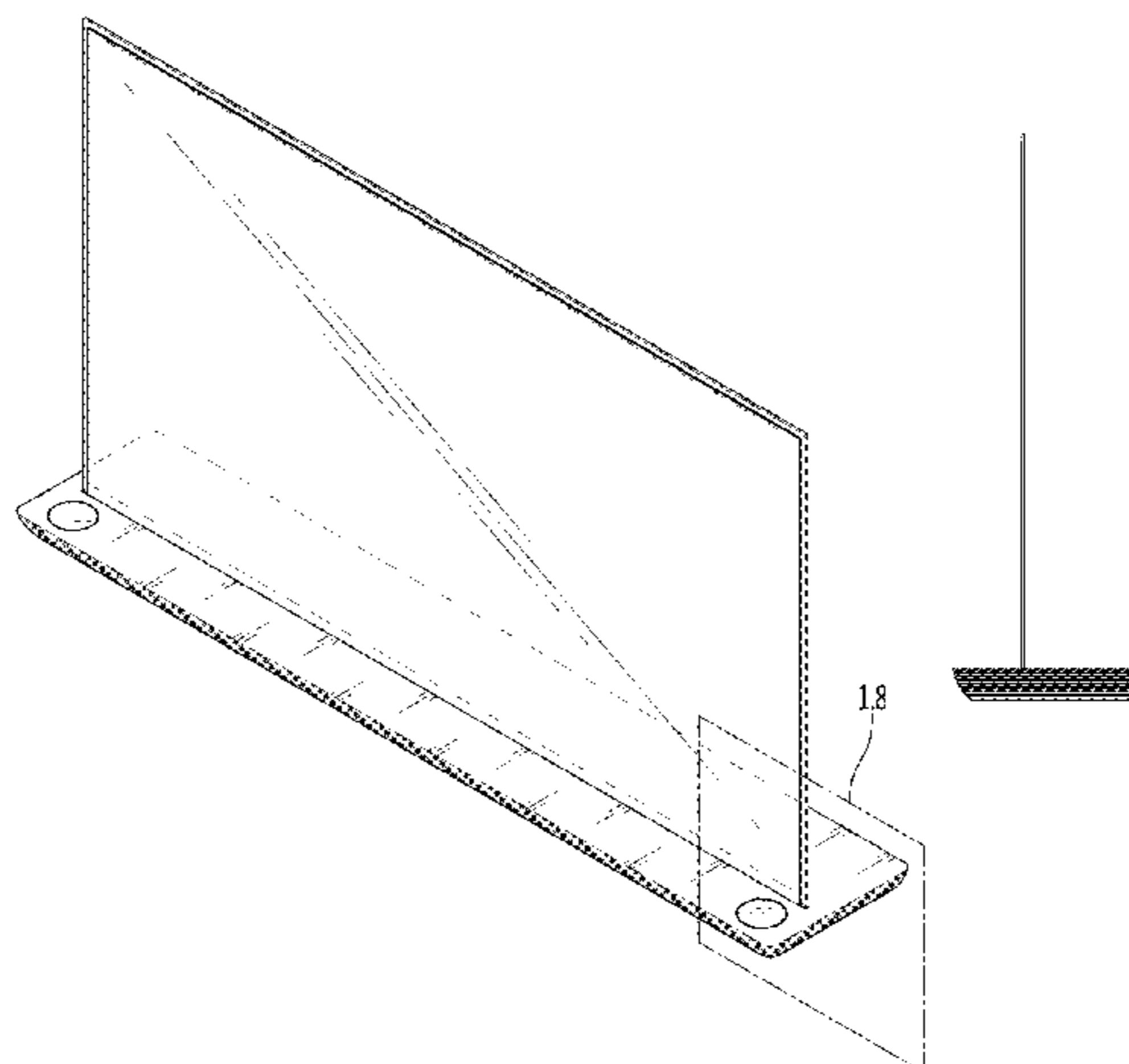
(57) **CLAIM**

The ornamental design for a television receiver, as shown and described.

**DESCRIPTION**

- 1. Television receiver
- 1.1 is a front perspective view of a television receiver showing our new design;
- 1.2 is the front view thereof;
- 1.3 is the back view thereof;
- 1.4 is the left side view thereof;
- 1.5 is the right side view thereof;
- 1.6 is the top view thereof;
- 1.7 is the bottom view thereof;
- 1.8 is an enlarged view of a portion of the television receiver shown in 1.1;

(Continued)



1.9 is an enlarged view of a portion of the television receiver shown in 1.4;

1.10 is another front perspective view showing the television receiver in an environment of use; and

1.11 is another front perspective view shown in an alternate position.

The dash-dot broken line portions of 1.1, 1.4, 1.8 and 1.9 are included to show partially enlarged views only and form no part of the claimed design.

The broken lines shown in 1.10 are included for the purpose of illustrating environment and form no part of the claimed design.

The broken lines shown in 1.11 depict portions of the television receiver that form no part of the claimed design.

**1 Claim, 9 Drawing Sheets**

(58) **Field of Classification Search**

USPC .... D14/440, 448, 450, 496, 138 R, 138 AA,  
D14/138 G, 147, 203.1–203.7, 247, 388,  
D14/389; D6/300–310; D16/241;  
D20/10, 19, 39; D21/329, 333, 331, 332  
CPC .. G06F 1/1613; G06F 3/04883; G06F 1/1647;  
G06F 3/04845; G06F 1/1601; G06F  
1/1643; A63H 33/3016; H04M 1/0279;  
H04M 1/0281; H04M 1/0283; H05K  
5/0004; H05K 5/0017; H05K 5/02; H05K  
5/0217; H04N 13/0459

See application file for complete search history.

(56) **References Cited**

U.S. PATENT DOCUMENTS

D600,244 S \* 9/2009 Chiu ..... D14/126  
D631,031 S \* 1/2011 Chen ..... D14/138 G

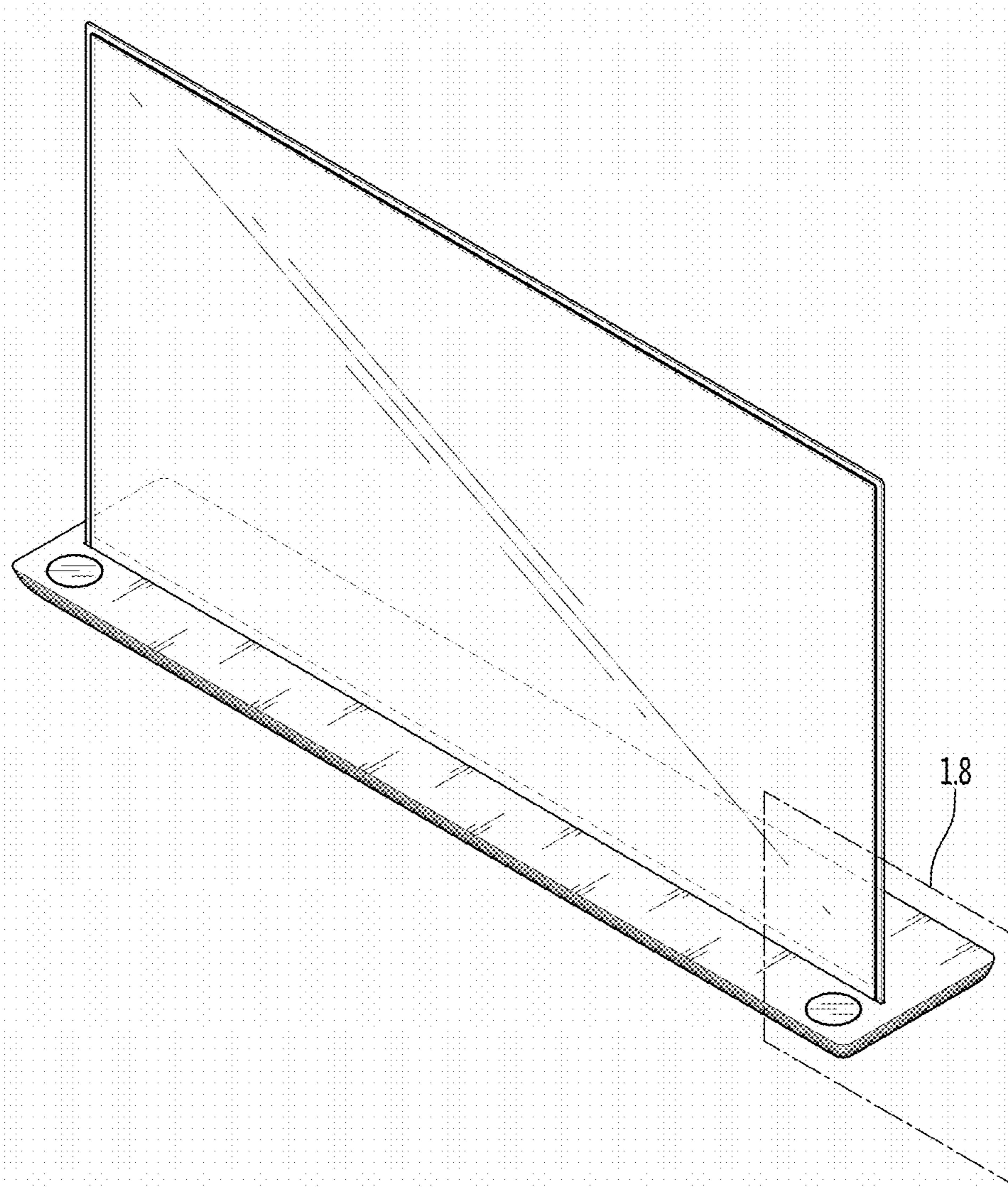
D637,169 S \* 5/2011 Kim ..... D14/126  
D639,760 S \* 6/2011 Tierney ..... D14/126  
D645,491 S \* 9/2011 Lee ..... D14/138 R  
D648,335 S \* 11/2011 Shiono ..... D14/374  
D670,670 S \* 11/2012 Kim ..... D14/126  
D677,637 S \* 3/2013 Kubota ..... D14/126  
D702,280 S \* 4/2014 Go ..... D16/241  
D712,867 S \* 9/2014 Vats ..... D14/138 AB  
D732,489 S \* 6/2015 Kumano ..... D14/126  
D732,490 S \* 6/2015 Kim ..... D14/126  
D742,344 S \* 11/2015 Kim ..... D14/126  
D742,375 S \* 11/2015 Kang ..... D14/126  
D743,922 S \* 11/2015 Li ..... D14/126  
D755,139 S \* 5/2016 Kim ..... D14/126  
D761,222 S \* 7/2016 Yoo ..... D14/126  
D769,837 S \* 10/2016 Kim ..... D14/126  
D771,008 S \* 11/2016 Takahata ..... D14/159  
D772,829 S \* 11/2016 Han ..... D14/126  
D772,833 S \* 11/2016 Han ..... D14/126  
D774,483 S \* 12/2016 Kim ..... D14/126  
D780,140 S \* 2/2017 Kim ..... D14/126  
D783,612 S \* 4/2017 Kim ..... D14/374  
2011/0116218 A1 \* 5/2011 Choi ..... H04N 5/64  
361/679.01  
2014/0092568 A1 \* 4/2014 Kim ..... H05K 7/00  
361/752  
2016/0374228 A1 \* 12/2016 Park ..... G09F 9/301  
2017/0079149 A1 \* 3/2017 Lee ..... H01L 51/524

OTHER PUBLICATIONS

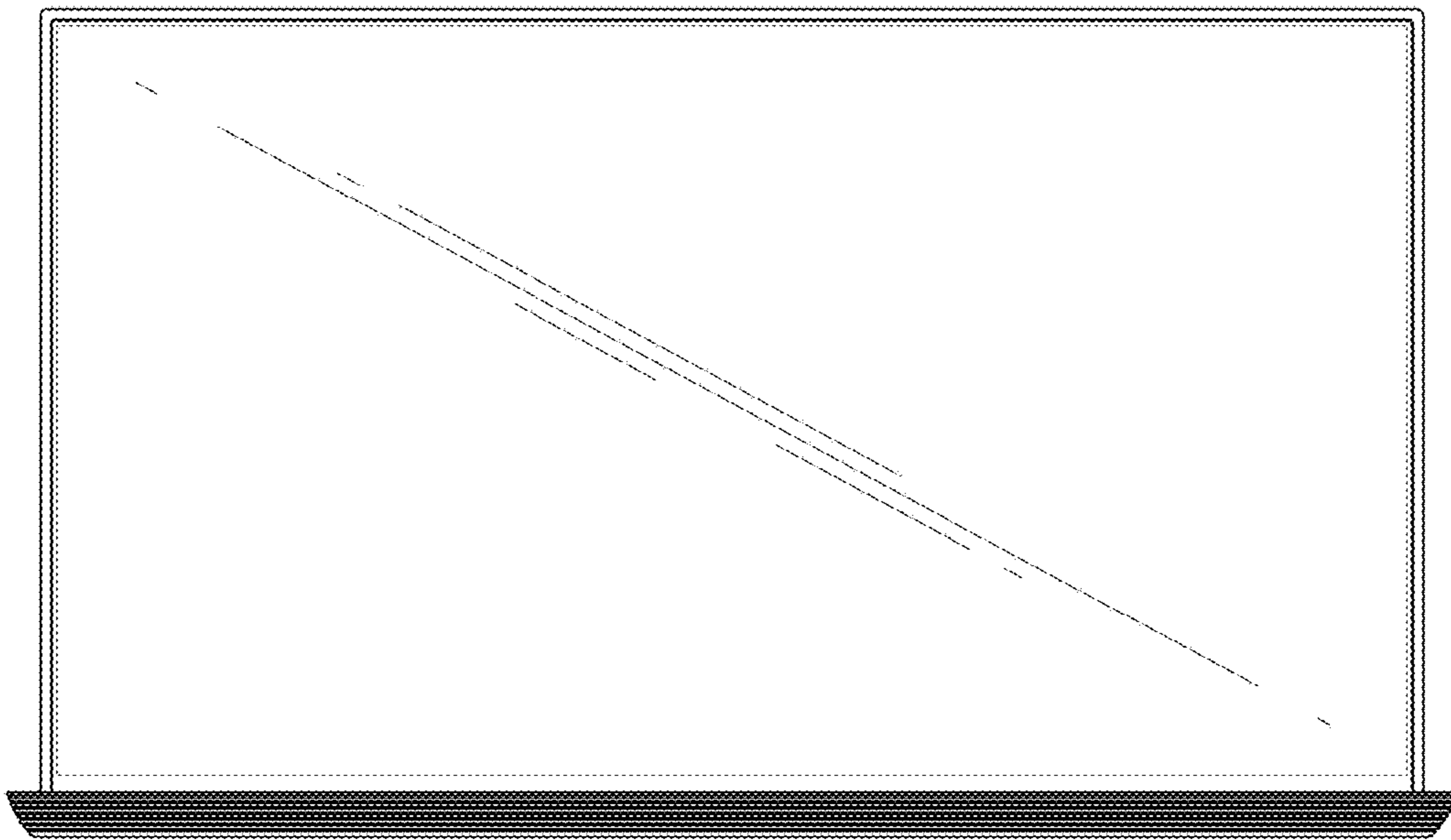
LG TV 2016 Reviews & Prices—Ultimate Buying Guide for LG 4k TVs, announced Jun. 16, 2016 [online], [site visited Jun. 20, 2017]. Available from Internet, URL: <<http://4k.com/lg-tv-2016-reviews-prices-ultimate-buying-guide-for-lg-4k-tvs/>>.\*  
LG 65EF9500 65" 4K Full 3D 2160p UHD, inteligente, OLED TV, announced Jun. 14, 2016 [online], [site visited Jun. 20, 2017]. Available from Internet, URL: <[http://www.ebay.com/itm/LG-65EF9500-65-4K-Full-3D-2160p-UHD-Smart-OLED-TV-/252663221464?\\_ul=BO](http://www.ebay.com/itm/LG-65EF9500-65-4K-Full-3D-2160p-UHD-Smart-OLED-TV-/252663221464?_ul=BO)>.\*

\* cited by examiner

1.1

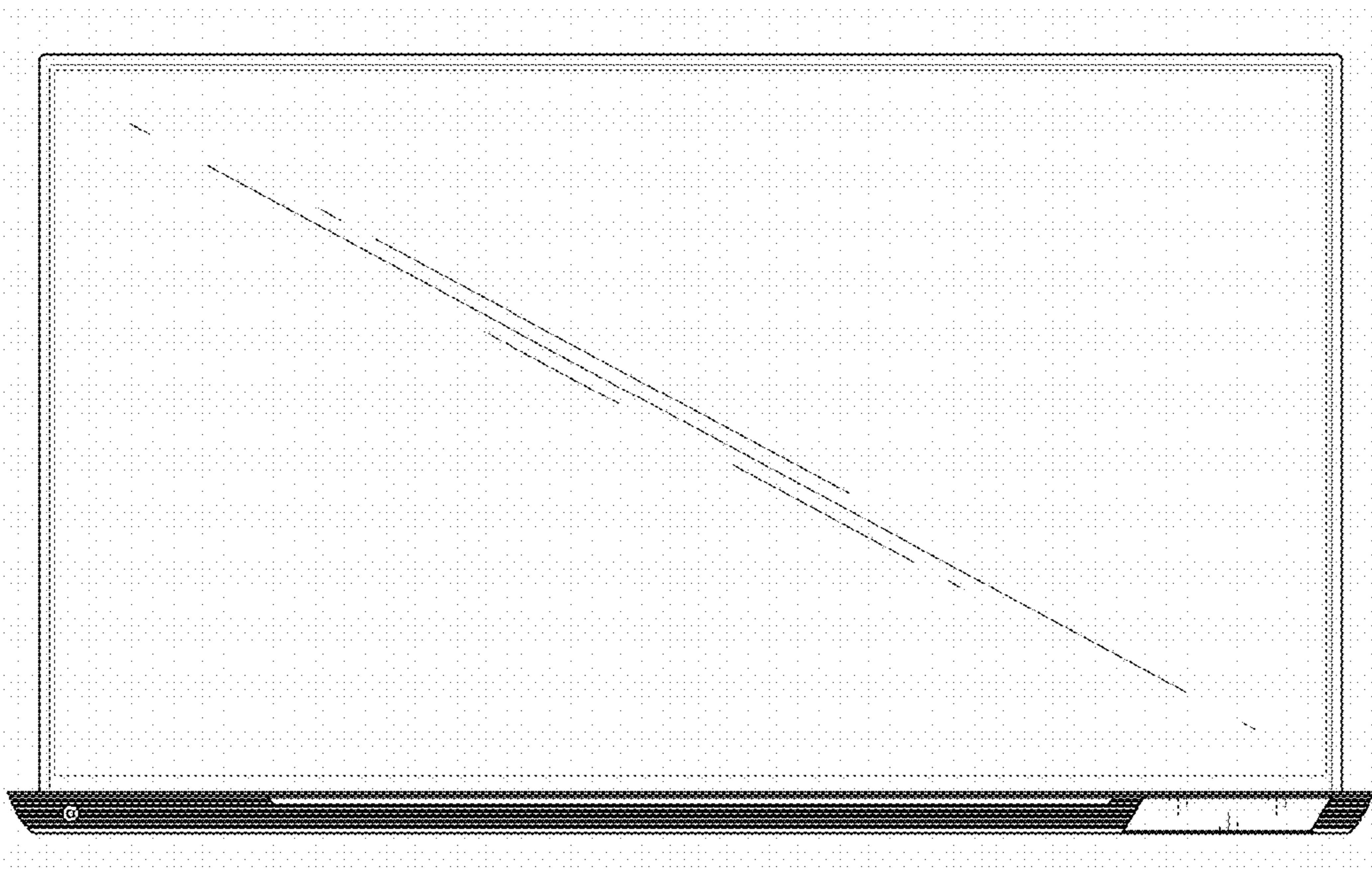


1.2

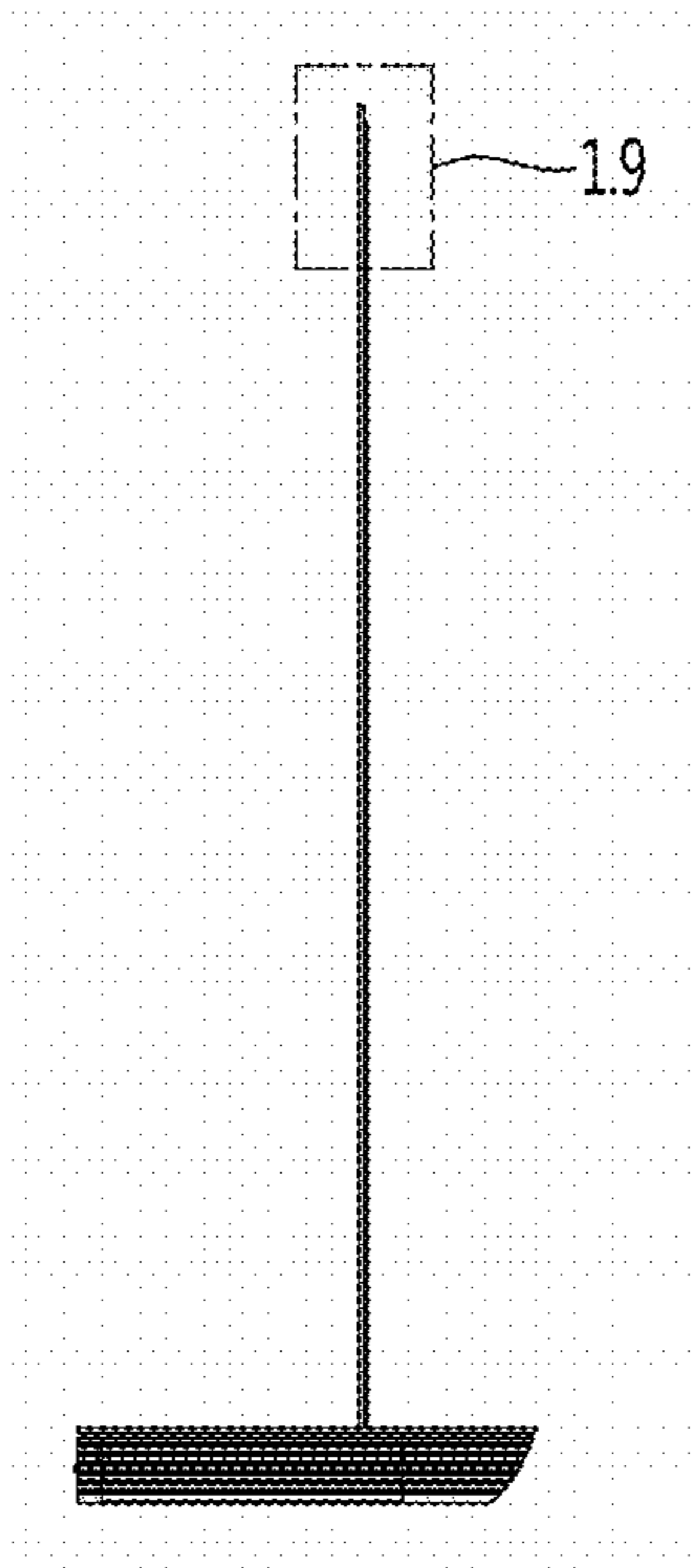




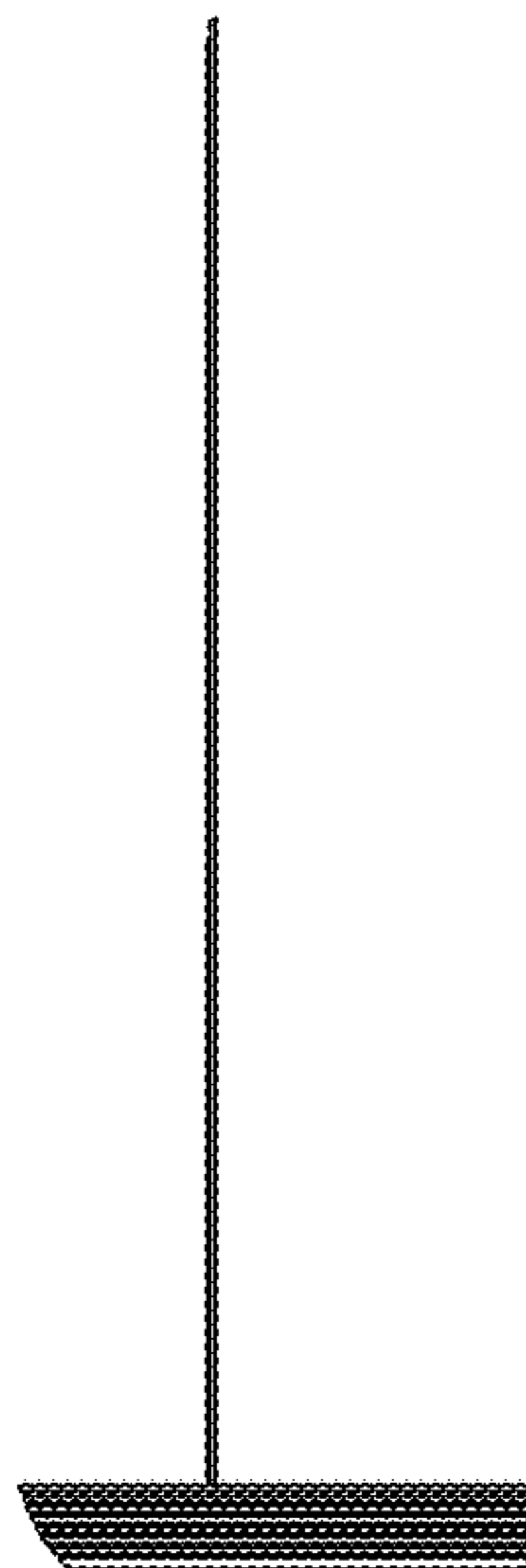
1.3



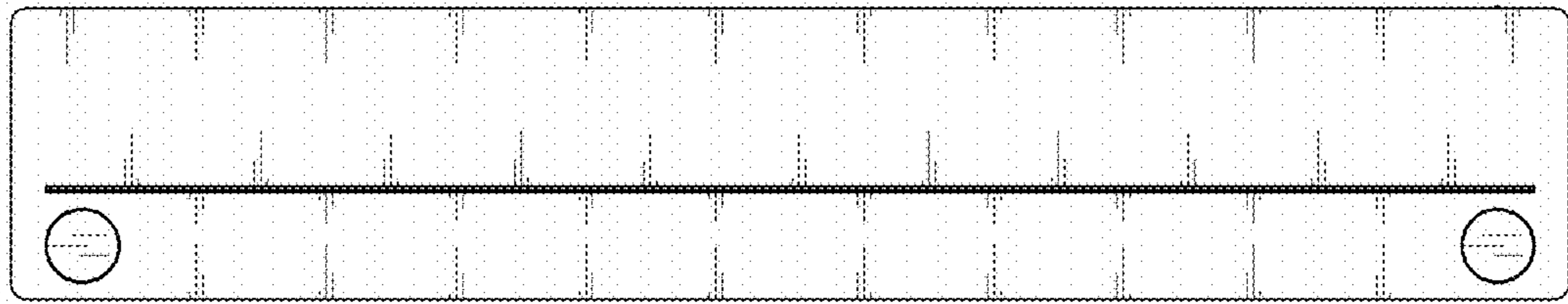
1.4



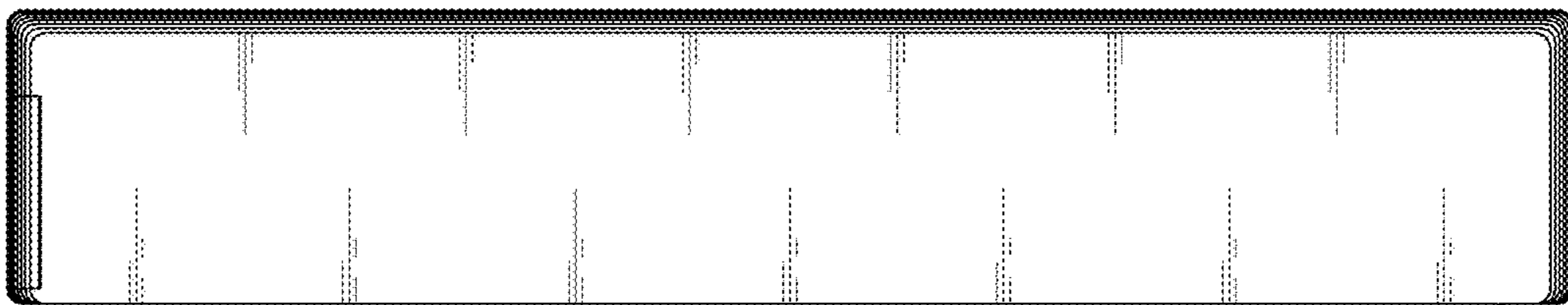
1.5



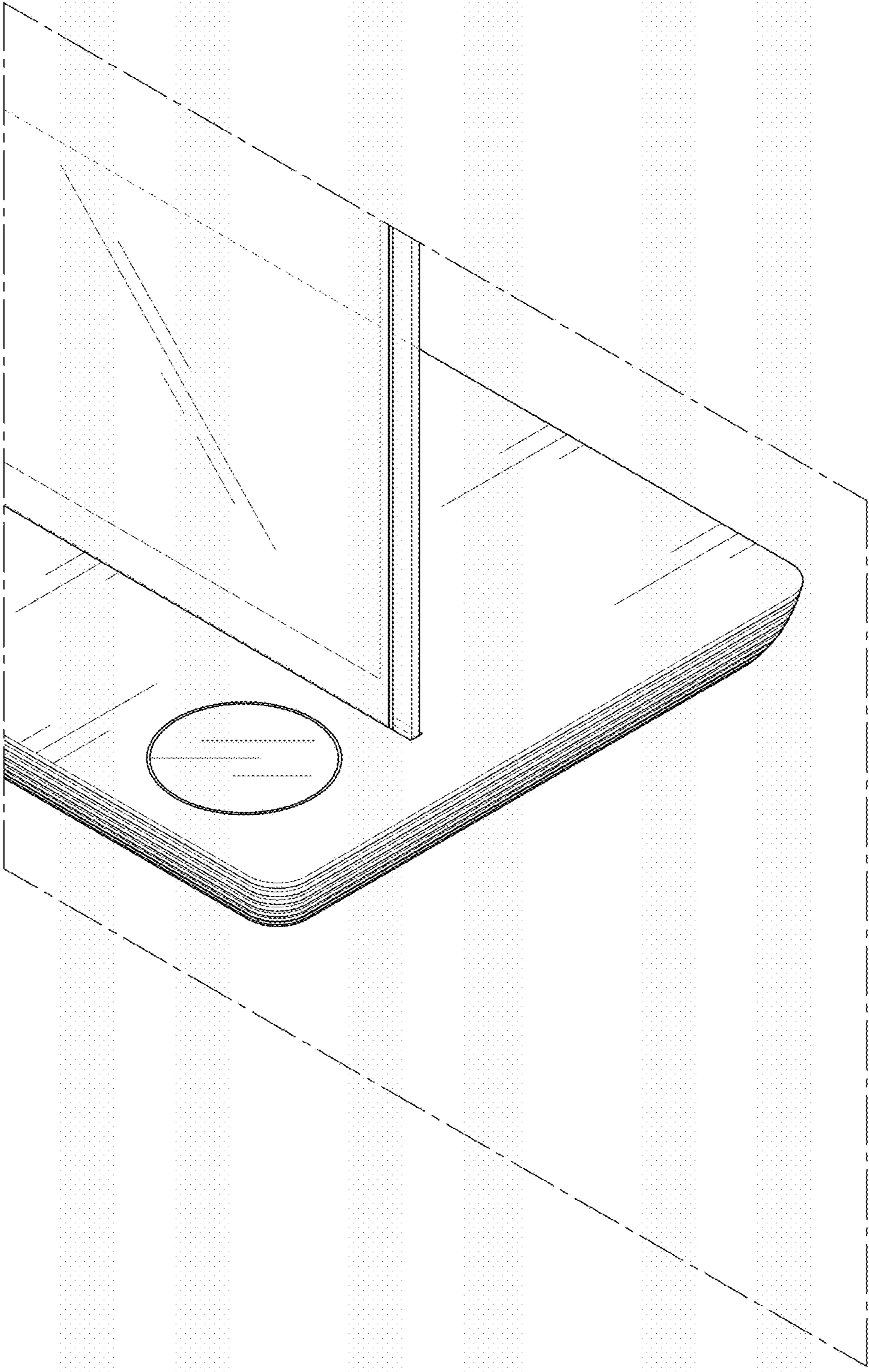
1.6



1.7

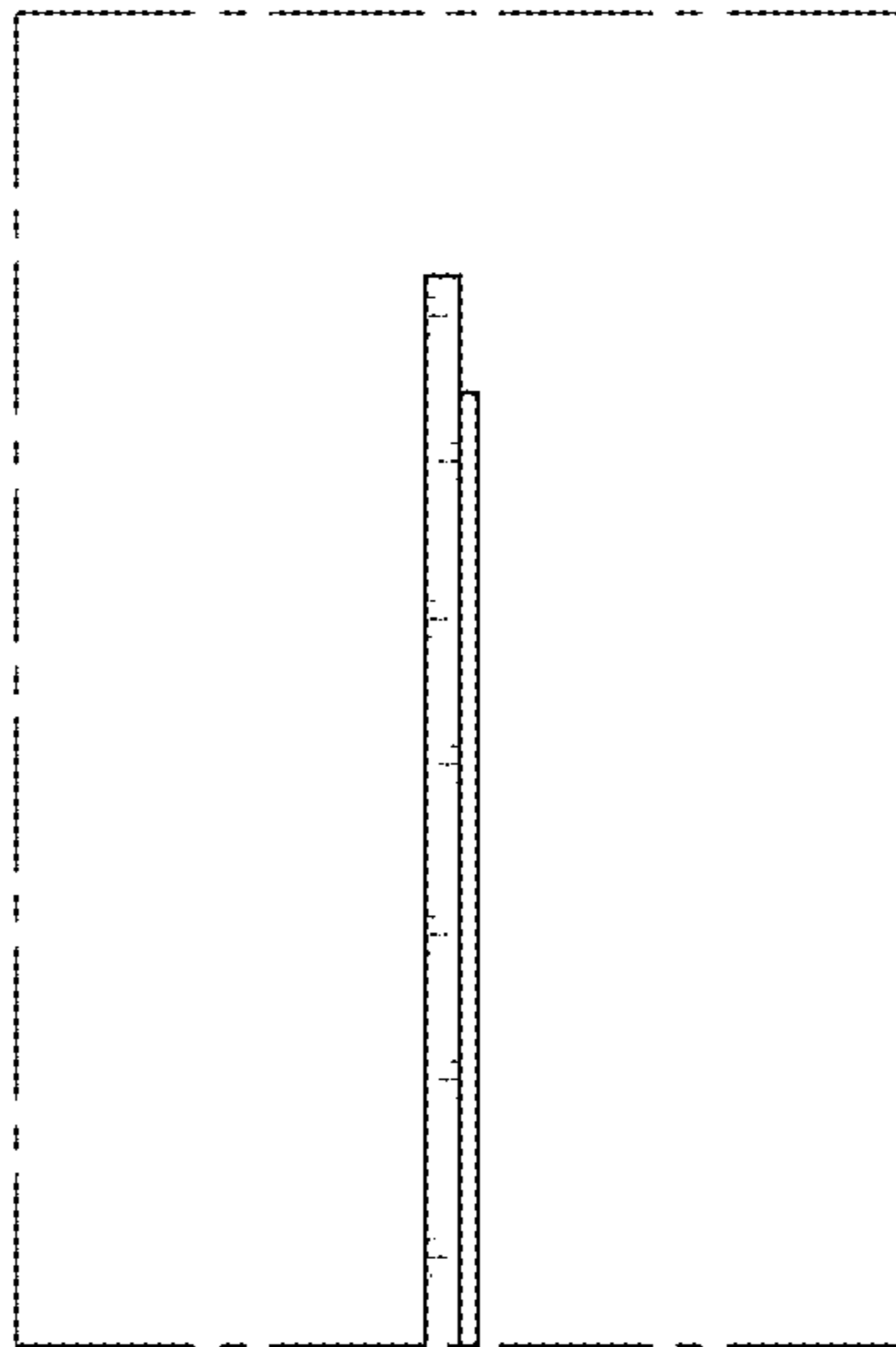


1.8

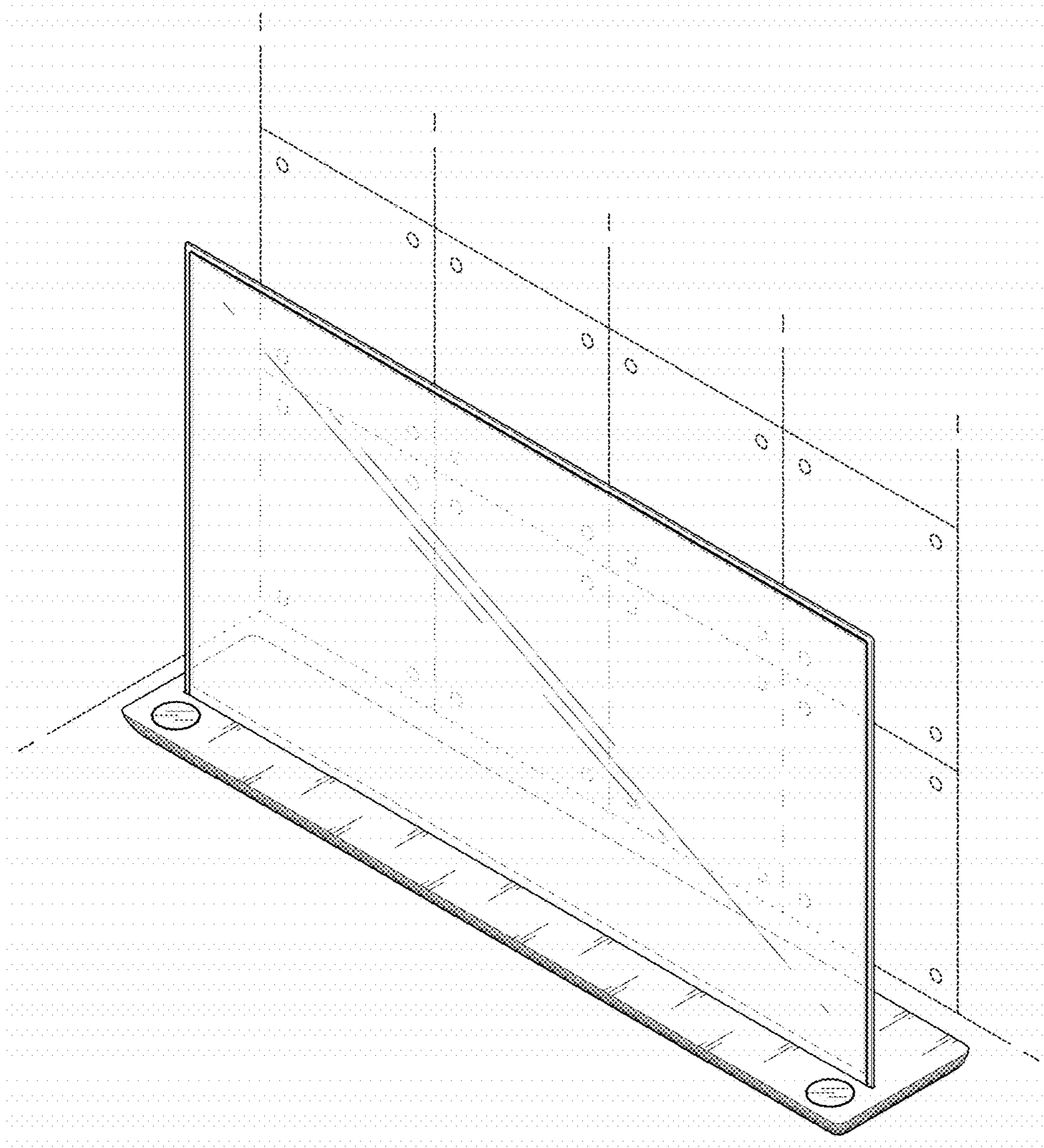




1.9



1.10



1.11

