



US00D812027S

(12) **United States Design Patent** (10) **Patent No.:** **US D812,027 S**
Debaigue et al. (45) **Date of Patent:** **** Mar. 6, 2018**

(54) **TELEVISION**

D734,280 S * 7/2015 Choi D14/126
D759,000 S * 6/2016 Behar D14/239
D763,237 S * 8/2016 Behar D14/239

(71) Applicant: **Samsung Electronics Co., Ltd.**,
Suwon-si (KR)

(Continued)

(72) Inventors: **Arthur Debaigue**, San Francisco, CA
(US); **Yves Behar**, San Francisco, CA
(US); **Qin Li**, San Francisco, CA (US);
Alex Farrow, San Francisco, CA (US)

OTHER PUBLICATIONS

Shin, Seung Ho Sony, shows its frame style LCD TV 'Bravia EX1'
[2008] www.kr.aving.net Sep. 2, 2008 <http://kr.aving.net/news/
view.php?articleId=98553>.

(Continued)

(73) Assignee: **Samsung Electronics Co., Ltd.**,
Suwon-si (KR)

Primary Examiner — Randall Gholson
(74) *Attorney, Agent, or Firm* — NSIP Law

(**) Term: **15 Years**

(21) Appl. No.: **29/583,329**

(22) Filed: **Nov. 4, 2016**

(57) **CLAIM**

We claim the ornamental design for a television, as shown
and described.

(30) **Foreign Application Priority Data**

May 13, 2016 (KR) 30-2016-0022843

(51) **LOC (11) Cl.** **14-03**

(52) **U.S. Cl.**
USPC **D14/126; D14/239**

(58) **Field of Classification Search**
USPC D14/125-134, 239, 371, 136, 374-377,
D14/440, 450, 448, 336, 342, 159;
312/7.2; 348/836, 838, 180, 184, 325,
348/739; 248/917-924, 465; 345/104,
345/133, 156, 168, 87, 173; D21/329,
D21/515, 577, 622, 333, 433, 448, 452,
D21/450, 331, 505; D10/15, 26;
446/484, 175, 356; D6/477, 479, 300;
D24/185; D34/14
CPC ... G06F 1/1601; G06F 1/1643; H05K 5/0004;
H05K 5/0017; H05K 5/02; H05K 5/0217
See application file for complete search history.

DESCRIPTION

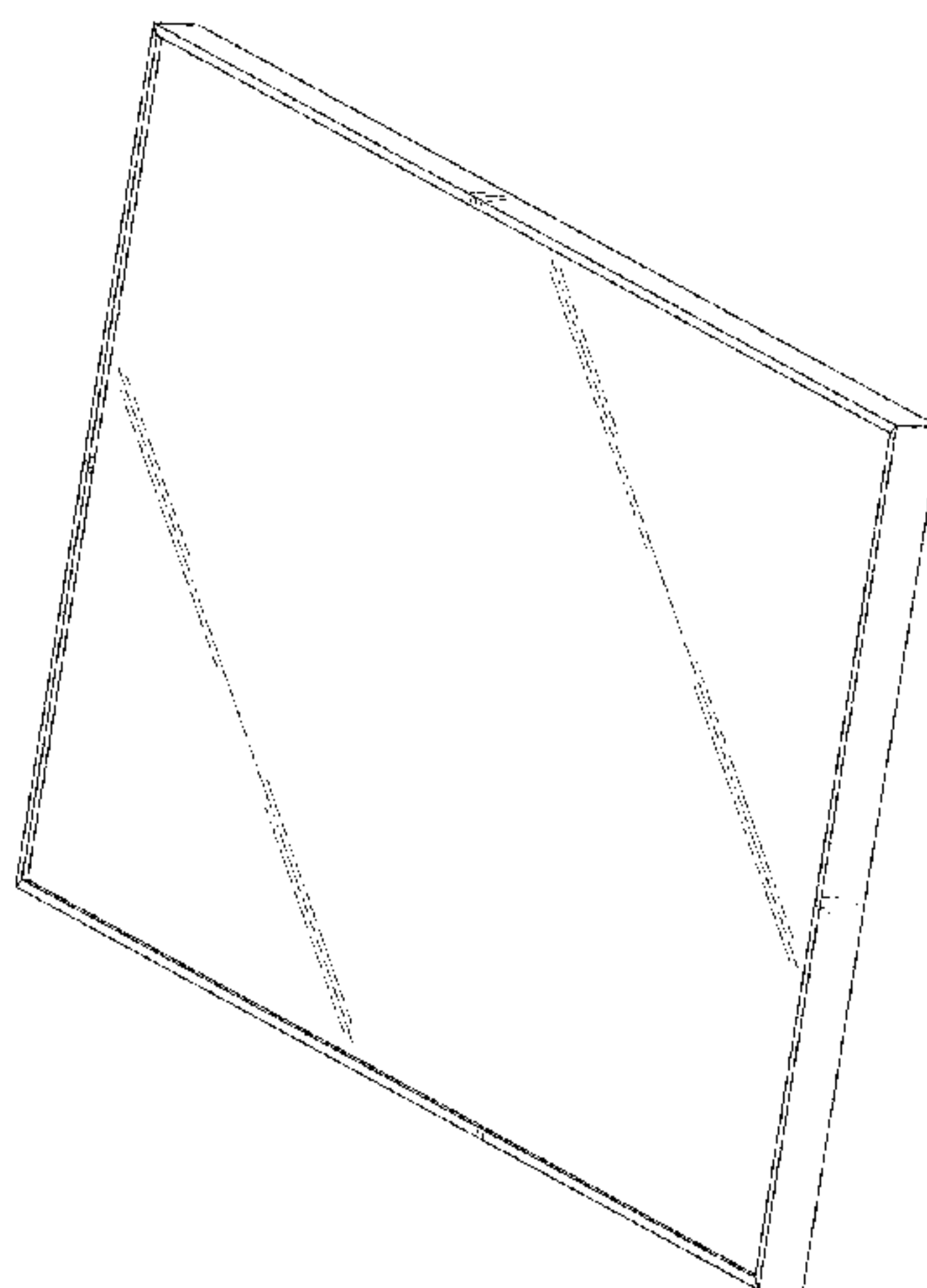
FIG. 1 is a front perspective view of a television showing our
new design;
FIG. 2 is a front view thereof;
FIG. 3 is a rear view thereof;
FIG. 4 is a left-side view thereof;
FIG. 5 is a right-side view thereof;
FIG. 6 is a top view thereof;
FIG. 7 is a bottom view thereof;
FIG. 8 is a rear perspective view thereof;
FIG. 9 is a partially enlarged view of the encircled portion
in FIG. 7; and,
FIG. 10 is a rear perspective view of the television shown in
an alternate configuration.
The broken lines in the figures depict environmental subject
matter and form no part of the claimed design.
The dot-dash broken lines encircling portions of the claimed
design that are illustrated in enlargements form no part of the
claimed design.

(56) **References Cited**

U.S. PATENT DOCUMENTS

D628,172 S * 11/2010 Chien D14/126
D699,231 S * 2/2014 Kim D14/239

1 Claim, 8 Drawing Sheets



(56)

References Cited

U.S. PATENT DOCUMENTS

D765,049 S * 8/2016 Tanimura D14/126
D769,837 S * 10/2016 Kim D14/126

OTHER PUBLICATIONS

Berg, Daniel "Dell XPS 18 Review" [2013] www.laptopmag.com
Apr. 26, 2013 <<http://www.laptopmag.com/reviews/laptops/dell-xps-18>>.

Travisimo "Wow—27 in Tablet! No Stylus (could have one?)..27" Multi-User, Multimode, Multitouch Table PC" [2005] [www.boards.core77.com](http://boards.core77.com)
Sep. 4, 2005 <<http://boards.core77.com/viewtopic.php?f=4&t=27839&start=15#p198624>>.

Leader You "How is CES2014 LG Gallery Oled TV? Change of thinking, seeing framed style OLED TV . . ." [2014] www.leaderyou.co.kr
Feb. 12, 2014 <<http://www.leaderyou.co.kr/2674>>.

* cited by examiner

FIG. 1

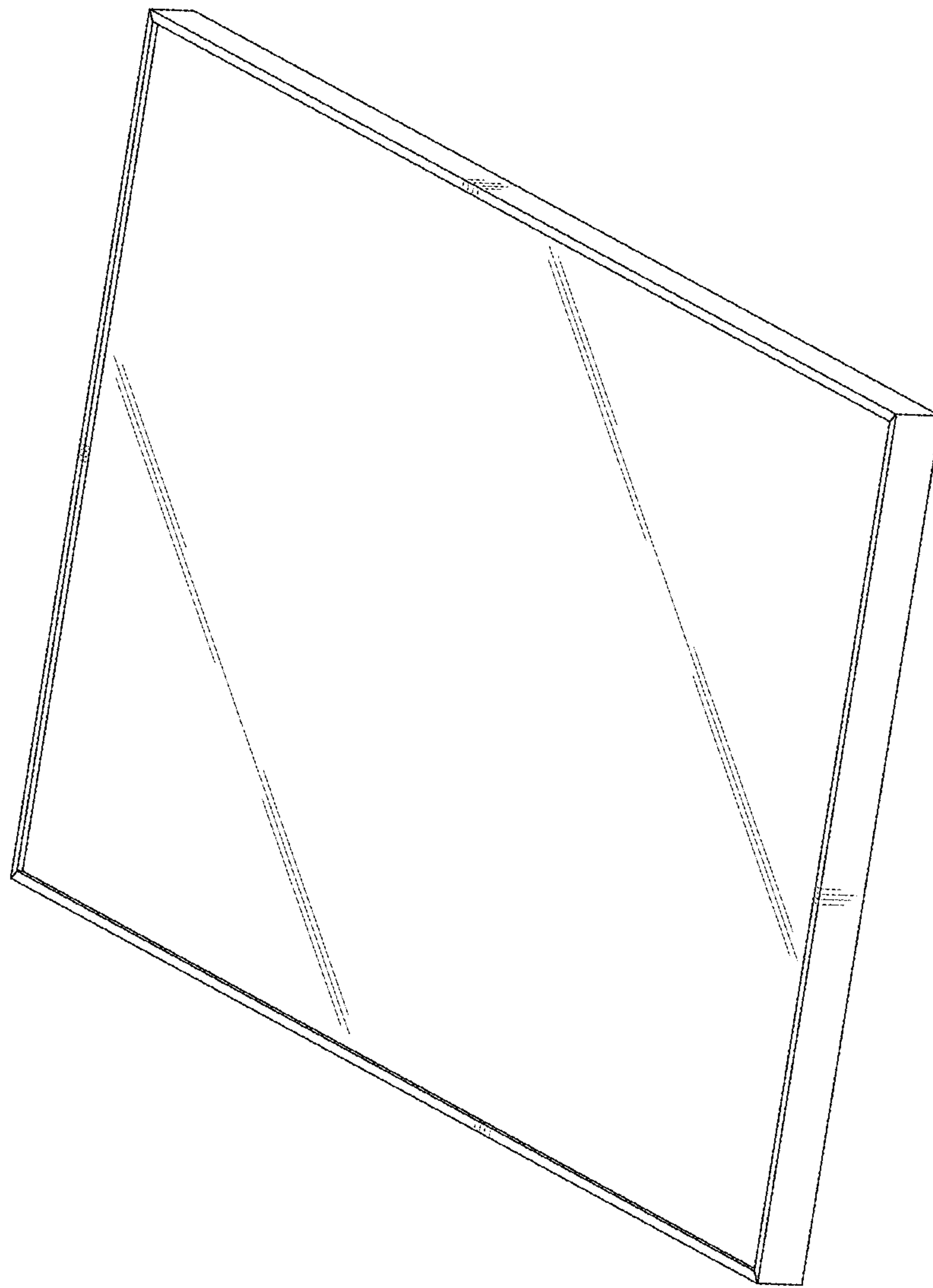


FIG. 2

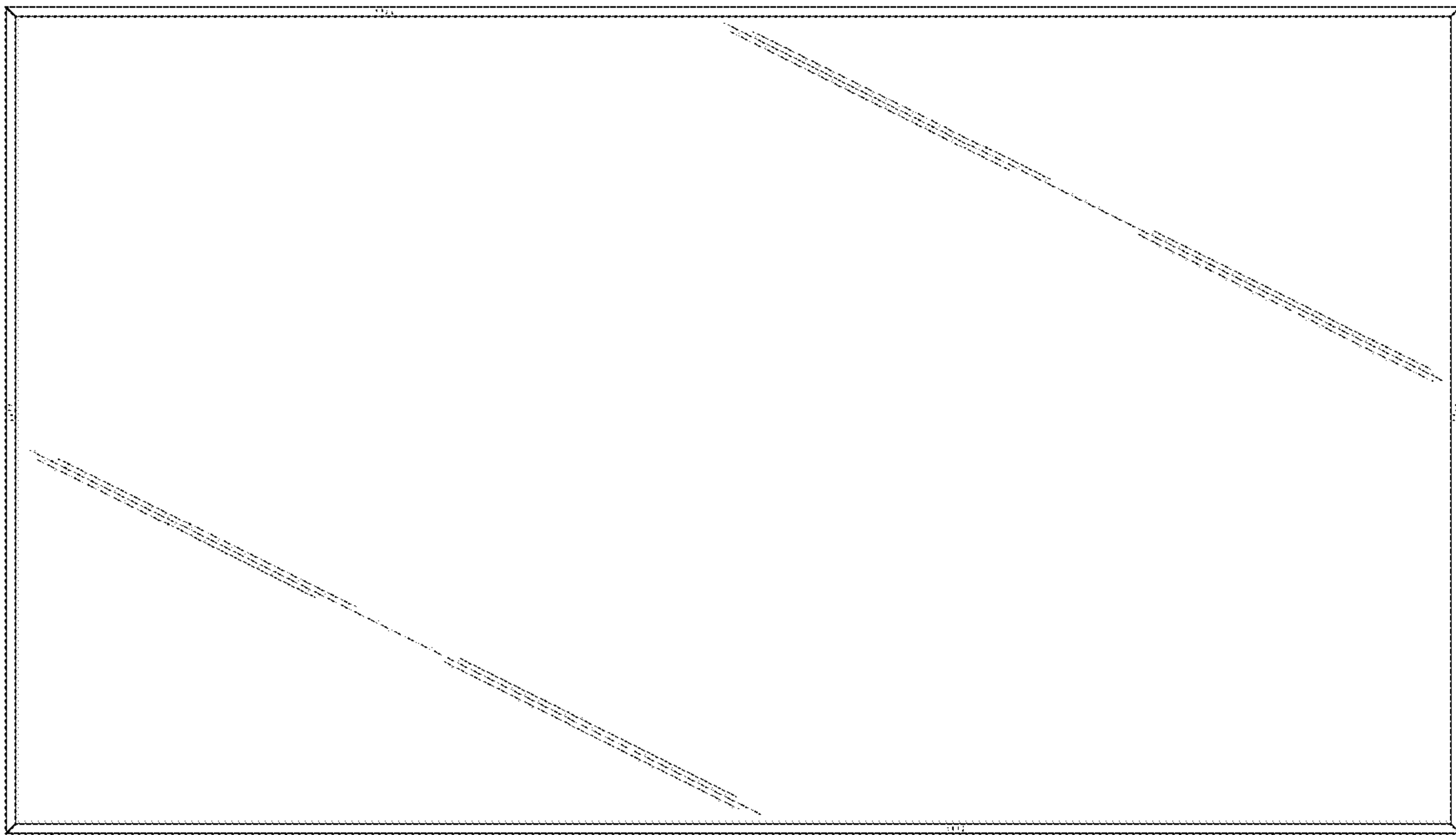


FIG. 3

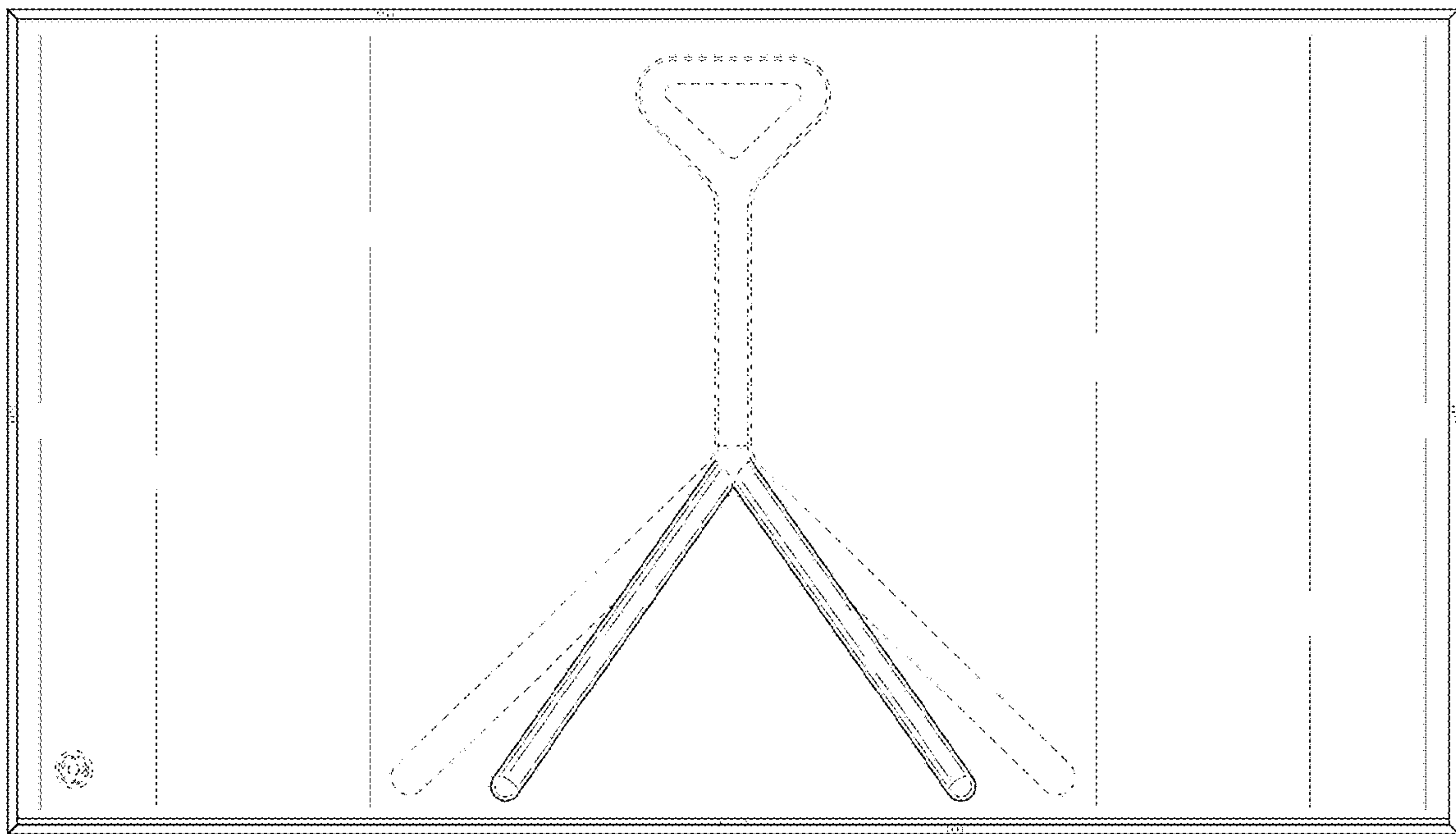


FIG. 4

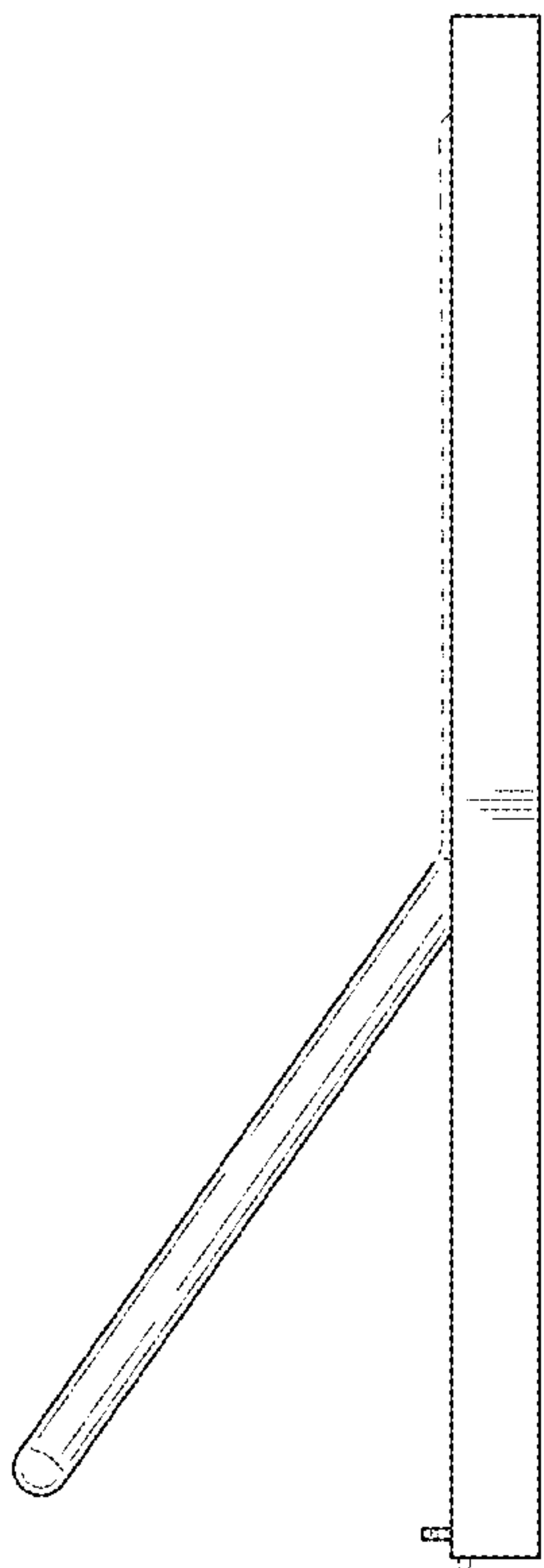


FIG. 5

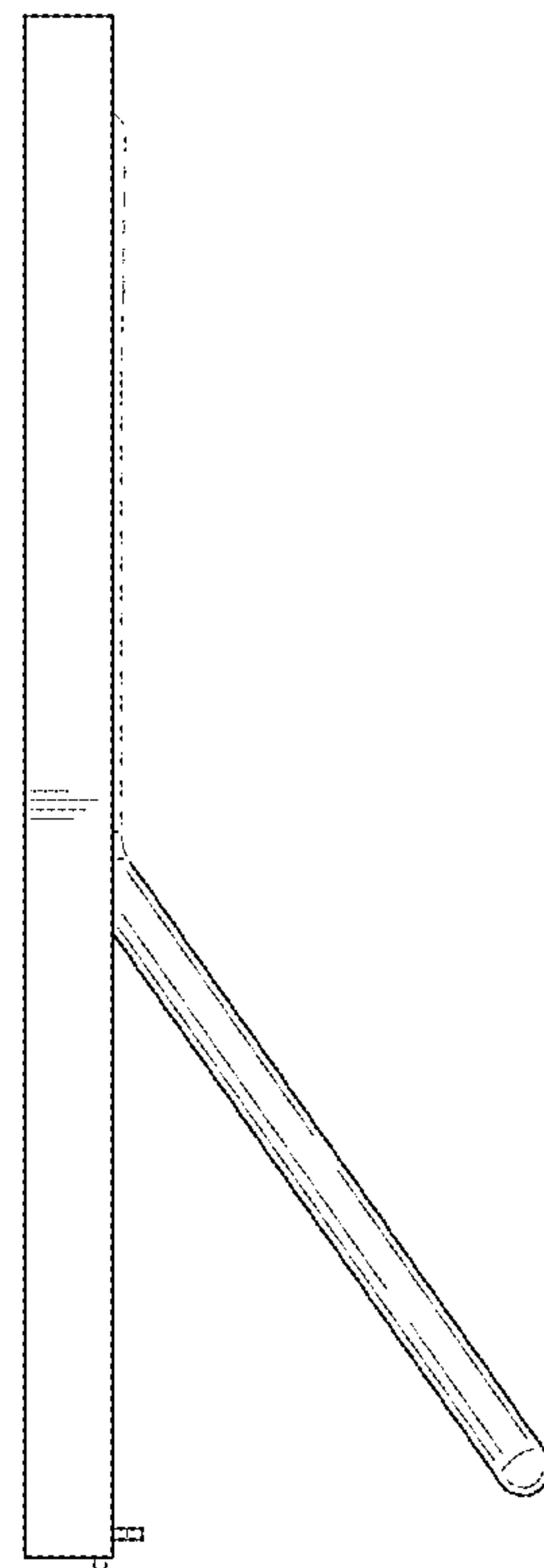


FIG. 6

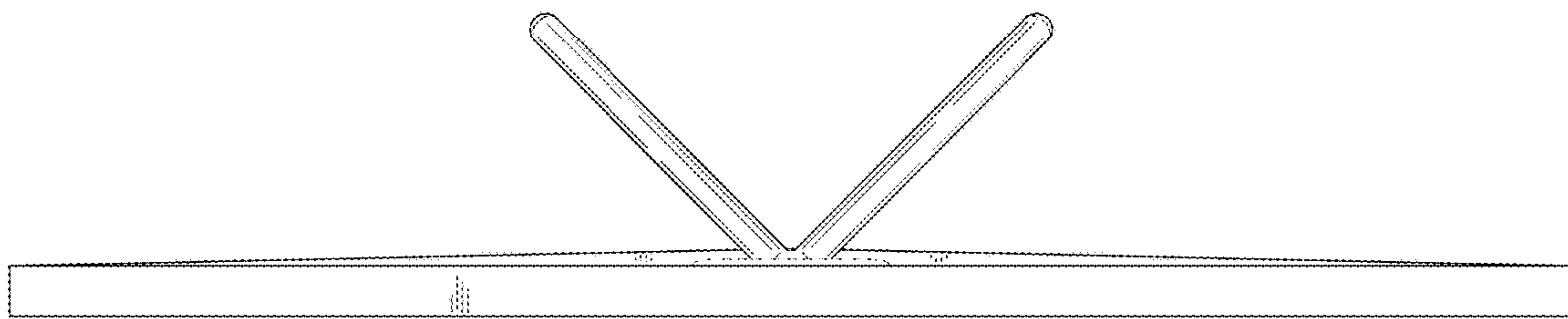


FIG. 7

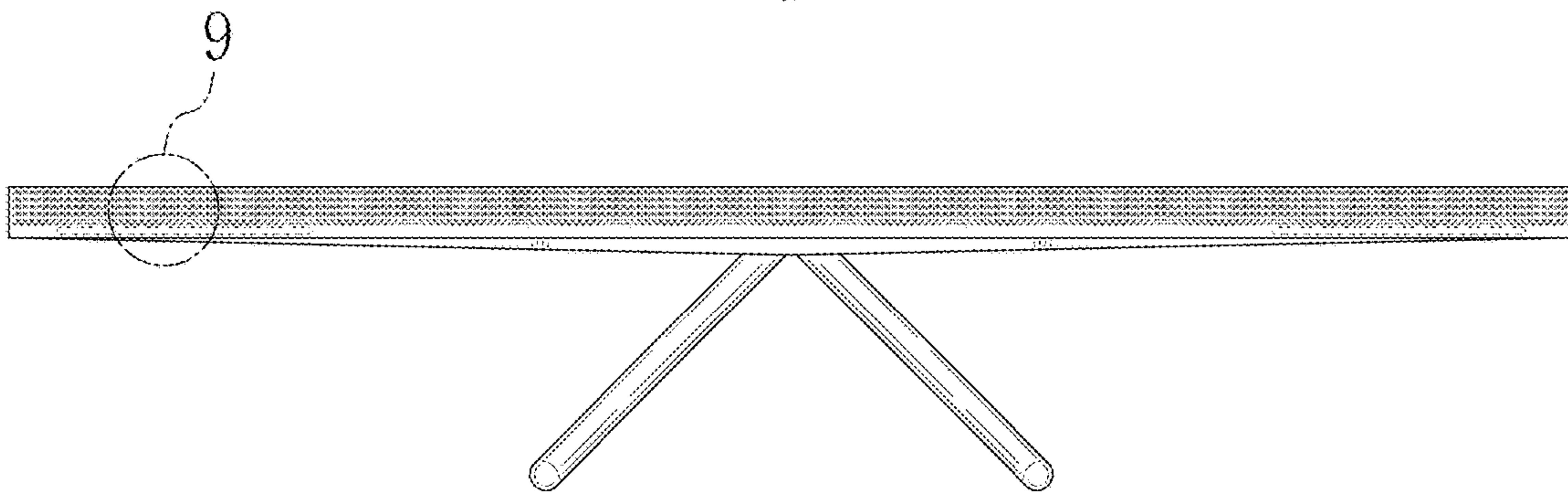


FIG. 8

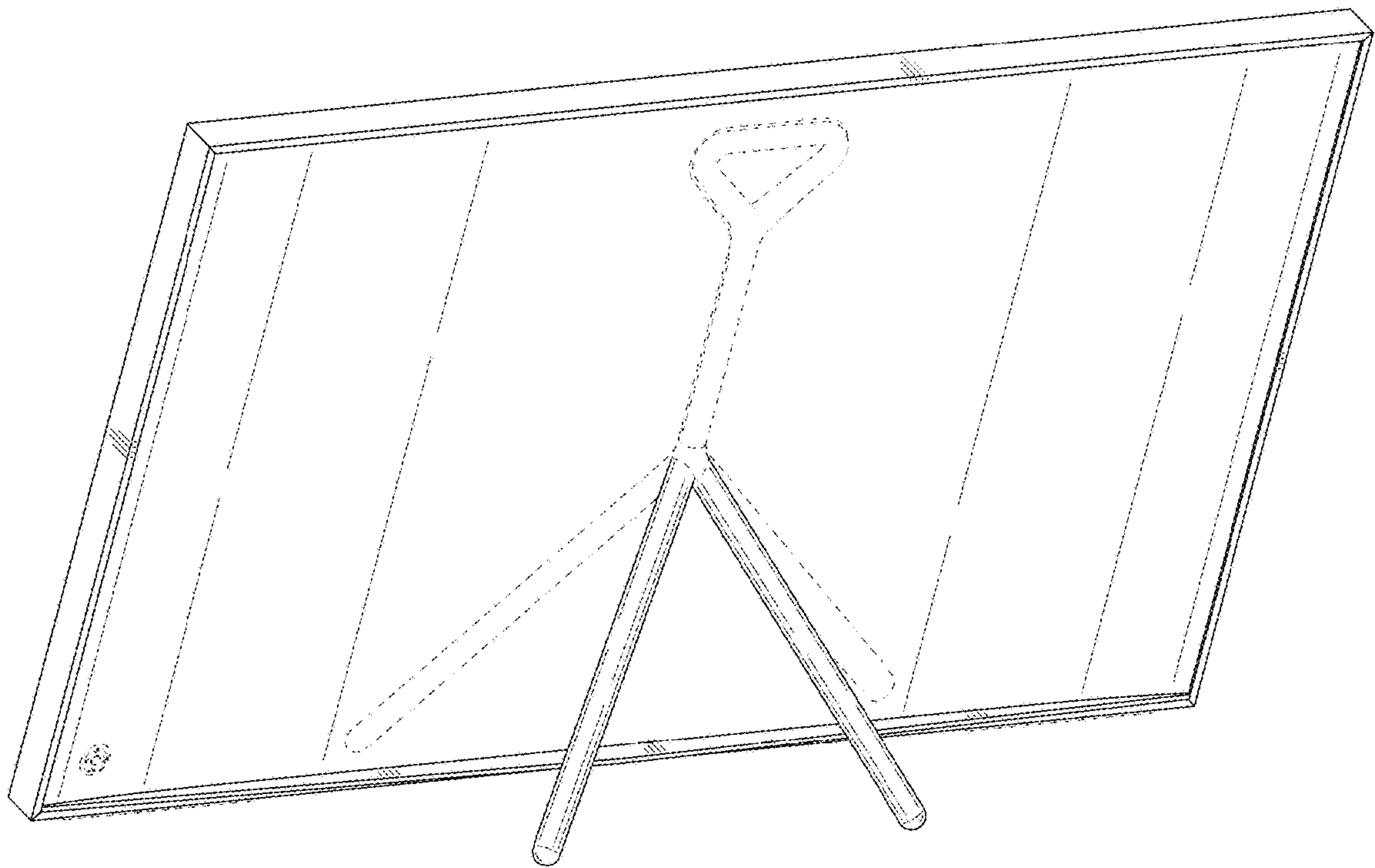


FIG. 9

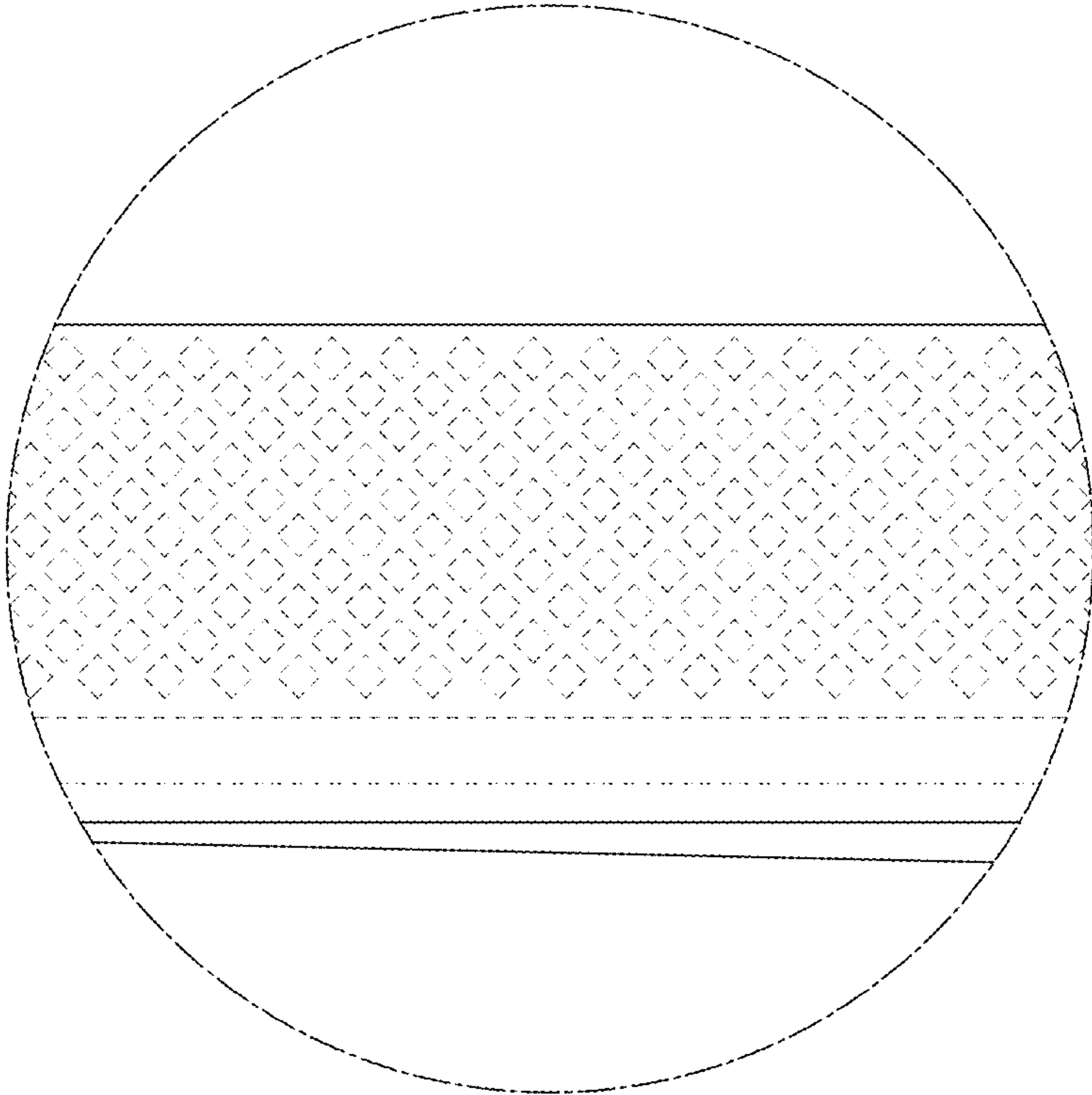


FIG. 10

