



US00D812026S

(12) **United States Design Patent** (10) **Patent No.:** **US D812,026 S**  
**Margis et al.** (45) **Date of Patent:** **\*\* Mar. 6, 2018**

(54) **DISPLAY DEVICE FOR SEATBACK MOUNTING**

CPC ... G06F 1/1601; G06F 1/1643; H05K 5/0004;  
H05K 5/0017; H05K 5/02; H05K 5/0217;  
B64D 11/0638; B64D 11/0624; B64D  
11/00152; B64D 11/0627; B64D  
11/00151;

(71) Applicant: **Panasonic Avionics Corporation**, Lake Forest, CA (US)

(Continued)

(72) Inventors: **Paul Anthony Margis**, Irvine, CA (US); **Craig Allan Depner**, Trabuco Canyon, CA (US); **Mehdi Izadyar**, Trabuco Canyon, CA (US); **Omar Lopez**, Norco, CA (US); **Sangho Kim**, Irvine, CA (US); **Kaname Tomita**, Osaka (JP); **Masashi Fujimoto**, Osaka (JP)

(56) **References Cited**

U.S. PATENT DOCUMENTS

D317,912 S \* 7/1991 Takai ..... D14/375  
D390,219 S \* 2/1998 Rosen ..... D14/132  
D394,432 S \* 5/1998 Rosen ..... D14/132

(Continued)

*Primary Examiner* — Susan Bennett Hattan

*Assistant Examiner* — Marie D. Fast Horse

(73) Assignee: **Panasonic Avionics Corporation**, Lake Forest, CA (US)

(74) *Attorney, Agent, or Firm* — Brian Furrer

(\*\*) Term: **15 Years**

(57) **CLAIM**

(21) Appl. No.: **29/581,853**

The ornamental design for a display device for seatback mounting, as shown and described.

(22) Filed: **Oct. 22, 2016**

**DESCRIPTION**

**Related U.S. Application Data**

(62) Division of application No. 29/555,018, filed on Feb. 17, 2016, now Pat. No. Des. 773,423, which is a division of application No. 29/503,200, filed on Sep. 24, 2014, now Pat. No. Des. 753,077.

(51) **LOC (11) Cl.** ..... **14-03**

(52) **U.S. Cl.**  
USPC ..... **D14/126; D14/129**

(58) **Field of Classification Search**  
USPC ..... D14/125-134, 239, 371, 136, 341, D14/374-377, 385, 440, 450, 448, 336, D14/342, 159, 496; D21/329, 331, 333, D21/515, 448; D10/15, 46, 74, 80, 103, D10/104.1, 109.1, 109.2, 121, 123, 124, D10/125; D6/300; D20/10, 19, 39; D16/203, 237, 241; D13/162, 177

FIG. 1 is a front perspective view of an embodiment of the display device for seatback mounting embodying the new design, shown mounted in a seatback in which the seatback forms no part of the claim;

FIG. 2 is a front perspective view of the embodiment of the display device for seatback mounting, shown separate from the seatback;

FIG. 3 is a front elevational view thereof;

FIG. 4 is a rear elevational view thereof;

FIG. 5 is a left side elevational view thereof;

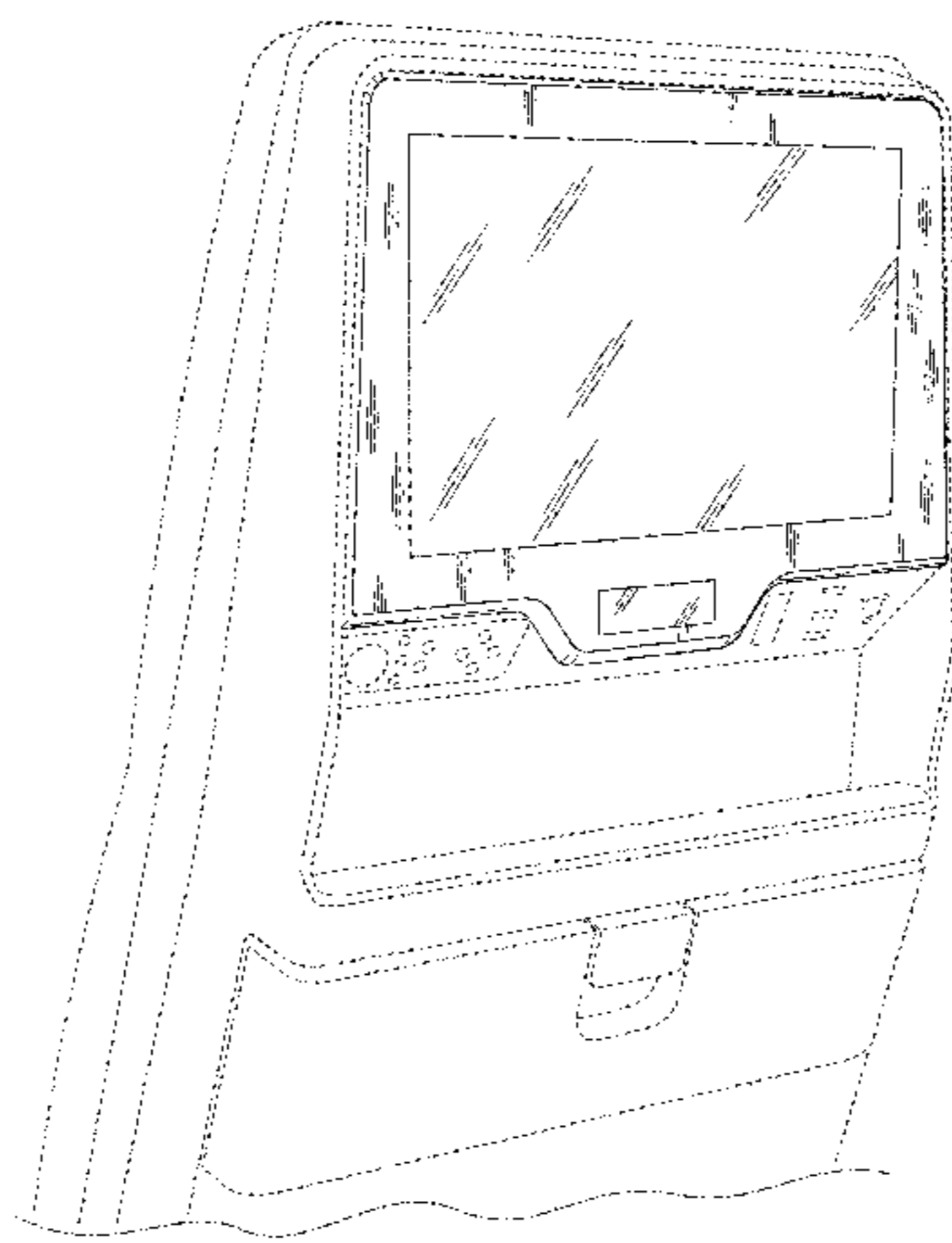
FIG. 6 is a right side elevational view thereof;

FIG. 7 is a top plan view thereof; and,

FIG. 8 is a bottom plan view thereof.

The broken lines in FIG. 1 showing the seatback depict environmental subject matter only and form no part of the claim; while all other broken lines in the drawings, including

(Continued)



the dotted lines seen in FIG. 4, depict portions of mounting structure that form no part of the claimed design.

**1 Claim, 3 Drawing Sheets**

**(58) Field of Classification Search**

CPC ..... H04N 21/2146; H04N 21/41422; B60R 11/02; B60R 11/0235; B60N 3/004  
See application file for complete search history.

**(56) References Cited**

**U.S. PATENT DOCUMENTS**

D399,503 S \* 10/1998 Rosen ..... D14/132  
D402,970 S \* 12/1998 Rosen ..... D14/375  
D406,582 S \* 3/1999 Rosen ..... D14/132  
D407,086 S \* 3/1999 Rosen ..... D14/132  
D409,597 S \* 5/1999 Rosen ..... D14/132  
D410,458 S \* 6/1999 Rosen ..... D14/132  
D413,881 S \* 9/1999 Ida ..... D14/126  
D417,440 S \* 12/1999 Wilson ..... D10/93  
D434,400 S \* 11/2000 Rosen ..... D14/132  
D439,226 S \* 3/2001 Rosen ..... D14/132  
6,250,967 B1 \* 6/2001 Chu ..... H01R 13/6276  
297/217.3  
D453,536 S \* 2/2002 Ota ..... D21/329  
D472,581 S \* 4/2003 Summers ..... D14/336  
D482,035 S \* 11/2003 Olson ..... D14/375  
D502,690 S \* 3/2005 Uehara ..... D14/129  
6,929,218 B1 \* 8/2005 Sanford ..... B64D 11/0015  
244/118.5  
D515,522 S \* 2/2006 Vitito ..... D14/126  
D532,399 S \* 11/2006 Sogabe ..... D14/129  
D533,521 S \* 12/2006 Wilson ..... D14/126  
D533,859 S \* 12/2006 Nishii ..... D14/129  
D537,053 S \* 2/2007 Peng ..... D14/129  
D545,312 S \* 6/2007 Kim ..... D14/375  
D545,789 S \* 7/2007 Dayan ..... D14/126  
D546,331 S \* 7/2007 Kim ..... D14/375  
D551,197 S \* 9/2007 Vitito ..... D14/129  
D559,808 S \* 1/2008 Vitito ..... D14/126  
D564,991 S \* 3/2008 Vitito ..... D14/126  
D564,992 S \* 3/2008 Hoehn ..... D14/126  
D590,787 S \* 4/2009 Vitito ..... D14/126  
D594,431 S \* 6/2009 Vitito ..... D14/129  
D597,980 S \* 8/2009 Vitito ..... D14/126  
D609,659 S \* 2/2010 VanDuyn ..... D14/126  
D609,660 S \* 2/2010 VanDuyn ..... D14/126

D609,661 S \* 2/2010 VanDuyn ..... D14/126  
D614,617 S \* 4/2010 Pepper ..... D14/336  
D635,108 S \* 3/2011 Hughes ..... D14/129  
D642,550 S \* 8/2011 Kawano ..... D14/126  
8,045,323 B2 \* 10/2011 Murakata ..... H05K 5/0086  
361/679.01  
D651,995 S \* 1/2012 Johnson ..... D14/126  
D666,566 S \* 9/2012 Sugita ..... D14/126  
D666,981 S \* 9/2012 Kim ..... D14/138 G  
D669,873 S \* 10/2012 Margis ..... D14/129  
D669,874 S \* 10/2012 Margis ..... D14/129  
D677,639 S \* 3/2013 Margis ..... D14/129  
D681,639 S \* 5/2013 Cruz ..... D14/385  
D691,103 S \* 10/2013 Tuccinardi ..... D14/129  
D698,384 S \* 1/2014 Cruz ..... D18/4.4  
D700,603 S \* 3/2014 Chen ..... D14/336  
D709,069 S \* 7/2014 Cruz ..... D14/385  
D713,447 S \* 9/2014 Balar ..... D18/4.6  
D714,240 S \* 9/2014 Boyer, Jr. .... D14/132  
D716,300 S \* 10/2014 Cruz ..... D14/385  
D720,346 S \* 12/2014 Davis ..... D14/341  
D724,581 S \* 3/2015 Johnson ..... D14/341  
D740,243 S \* 10/2015 Bieler ..... D14/126  
D742,346 S \* 11/2015 Huang ..... D14/129  
D744,482 S \* 12/2015 Davis ..... D14/341  
D749,052 S \* 2/2016 Margis ..... D14/126  
D752,647 S \* 3/2016 Matsumura ..... D14/132  
D753,077 S \* 4/2016 Margis ..... D14/126  
9,323,093 B2 \* 4/2016 Ninh ..... G06F 3/044  
D756,998 S \* 5/2016 Suzuki ..... D14/341  
D764,425 S \* 8/2016 Boyer, Jr. .... D14/132  
D773,423 S \* 12/2016 Margis ..... D14/126  
D778,857 S \* 2/2017 Liu ..... D14/126  
2004/0032543 A1 \* 2/2004 Chang ..... B60R 11/0235  
348/837  
2005/0021602 A1 \* 1/2005 Noel ..... H04B 7/18506  
709/203  
2006/0148577 A1 \* 7/2006 Vitito ..... B60K 35/00  
463/46  
2006/0284435 A1 \* 12/2006 Vitito ..... B60N 2/4876  
296/1.07  
2010/0162326 A1 \* 6/2010 Bonar ..... B64D 11/0023  
725/77  
2015/0001291 A1 \* 1/2015 Govindarajan ..... G06Q 90/00  
235/380  
2015/0296633 A1 \* 10/2015 Murata ..... B60R 11/0235  
361/679.01  
2016/0249073 A1 \* 8/2016 Margis ..... H04N 21/2146  
2016/0257247 A1 \* 9/2016 Munday ..... B60Q 3/44  
2017/0024062 A1 \* 1/2017 Jiang ..... G06F 3/0416

\* cited by examiner



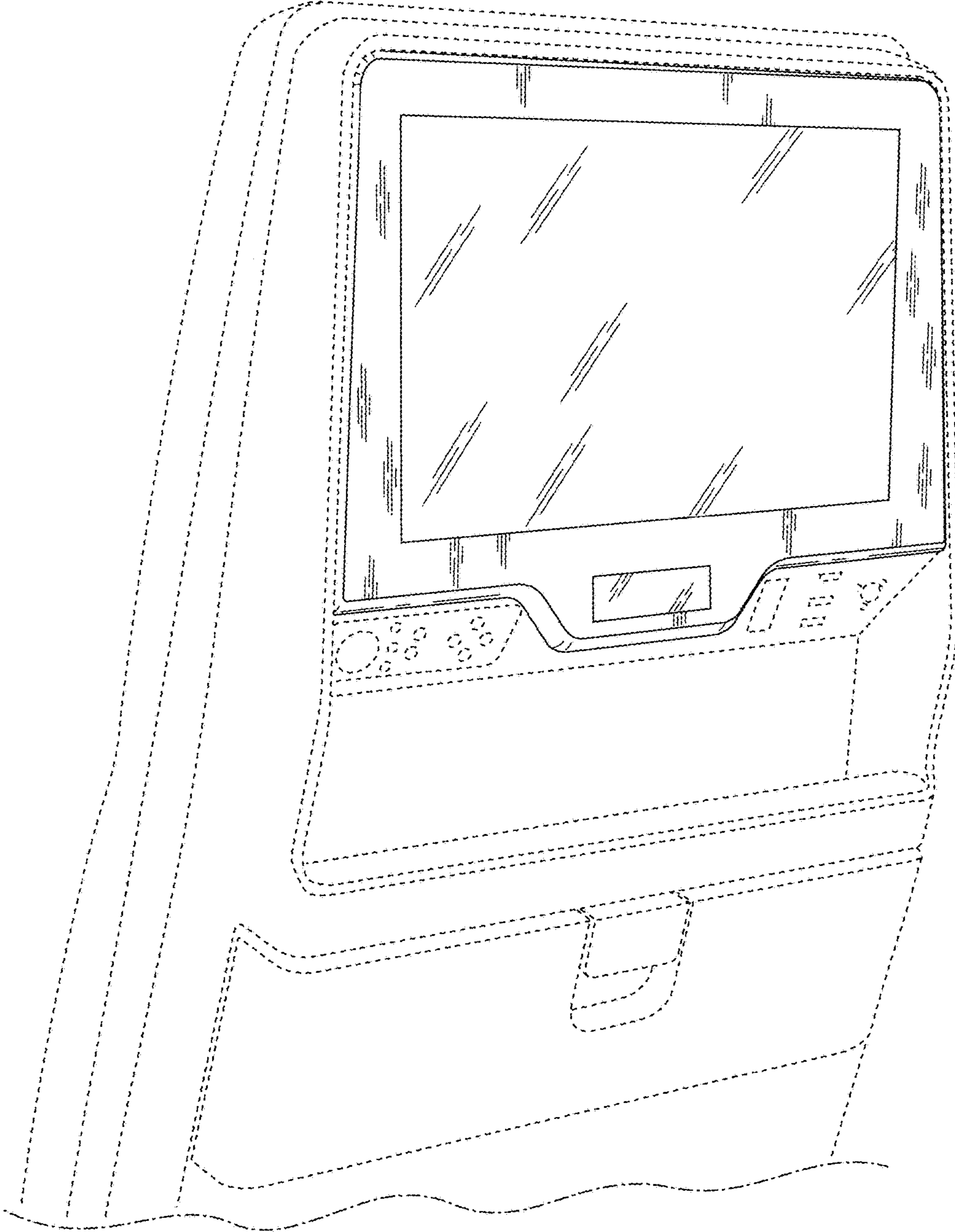


Fig. 1

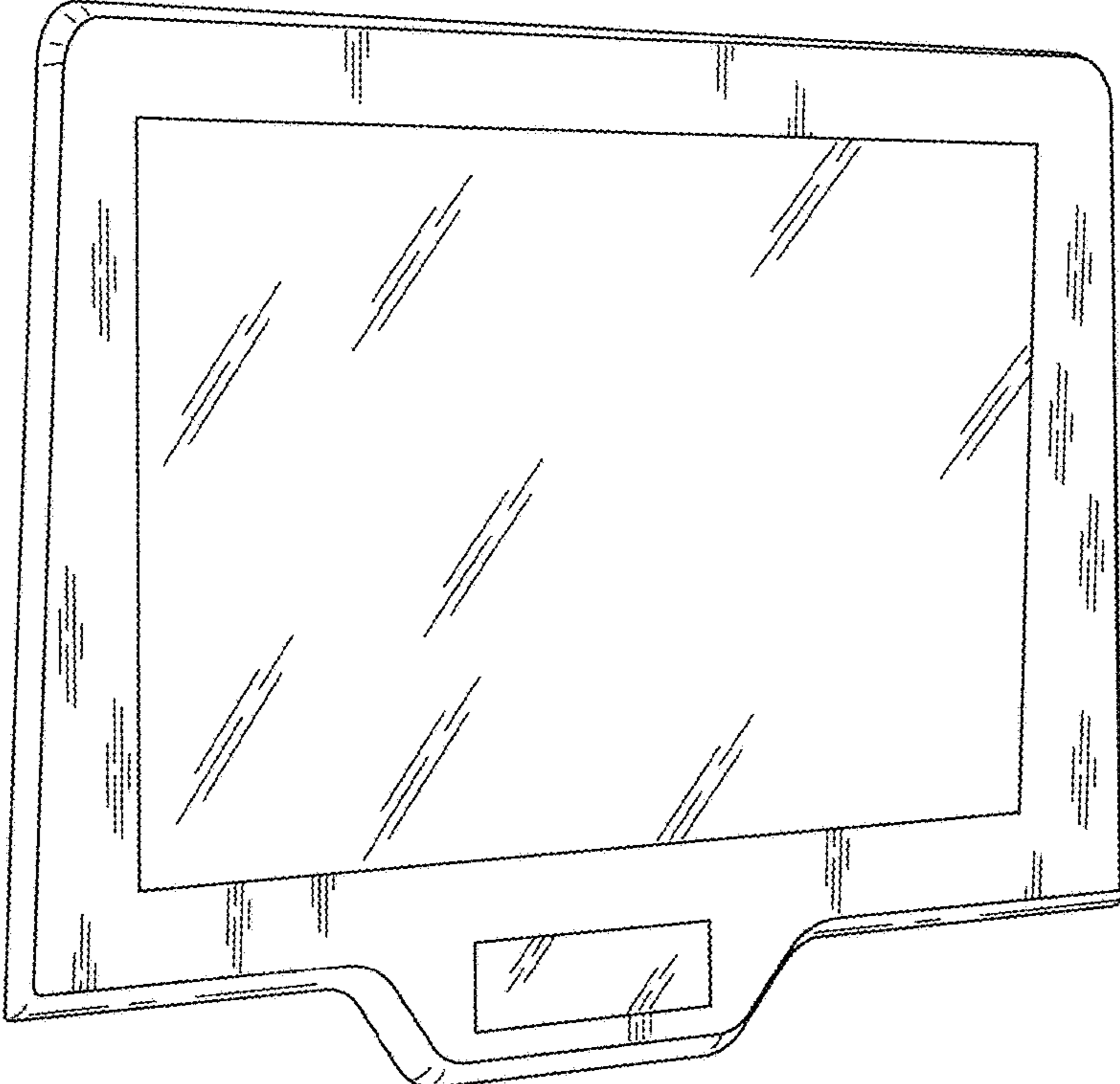


FIG. 2

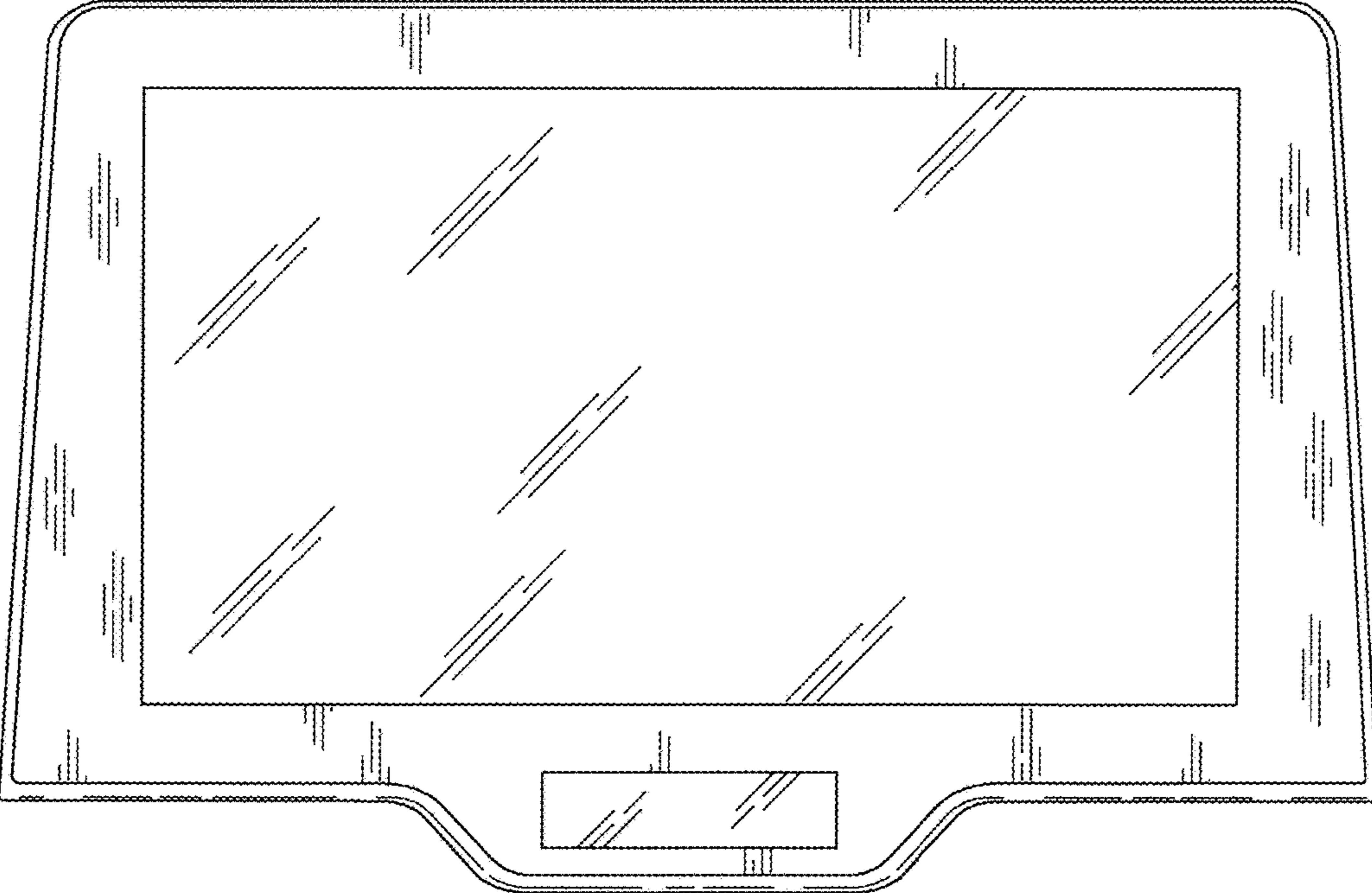


FIG. 3

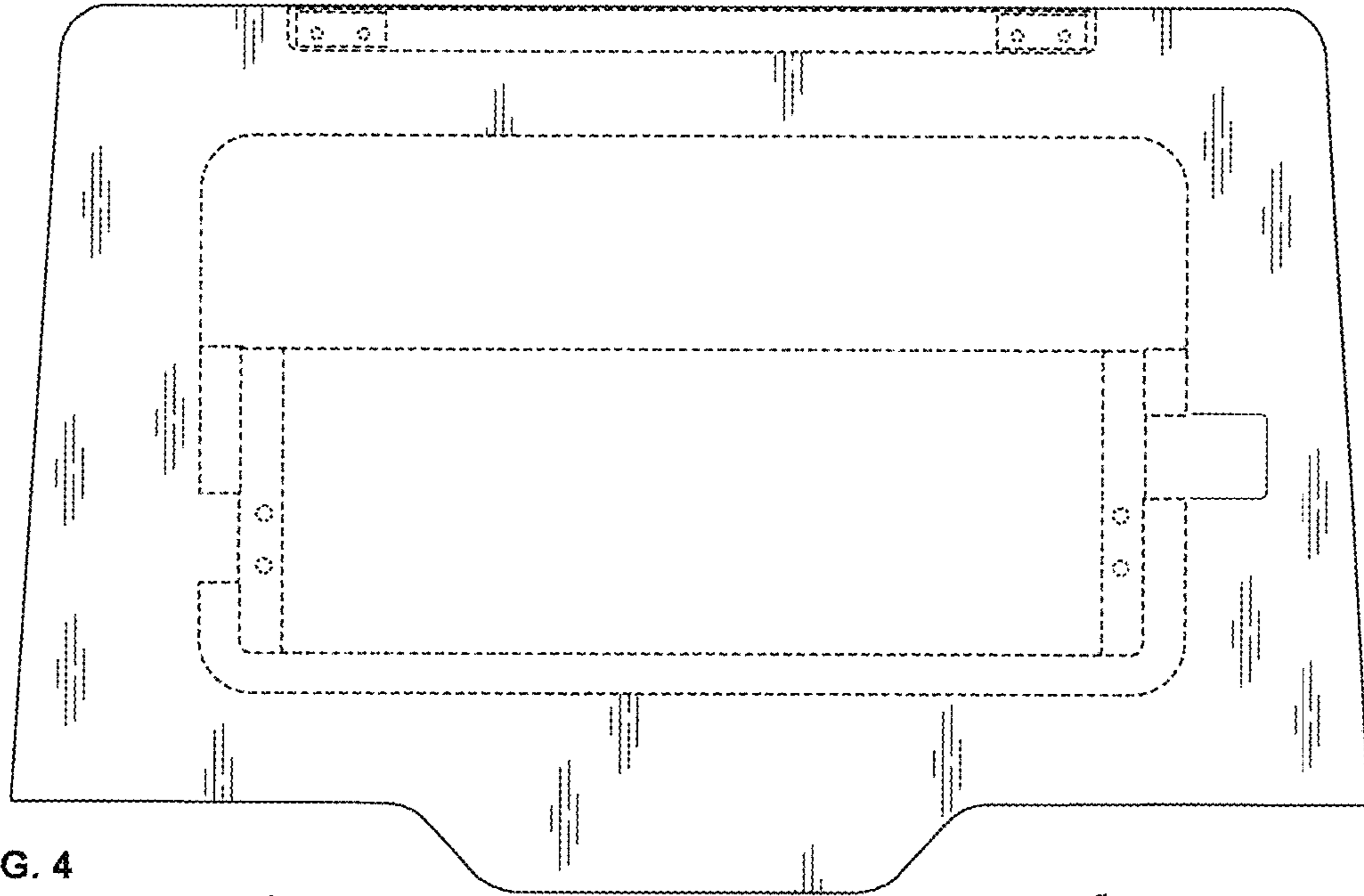


FIG. 4

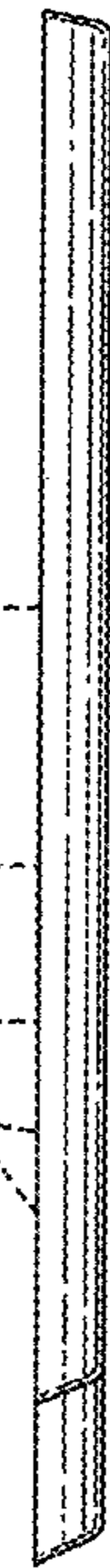


FIG. 5

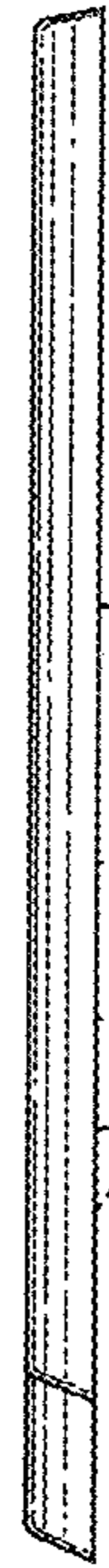


FIG. 6

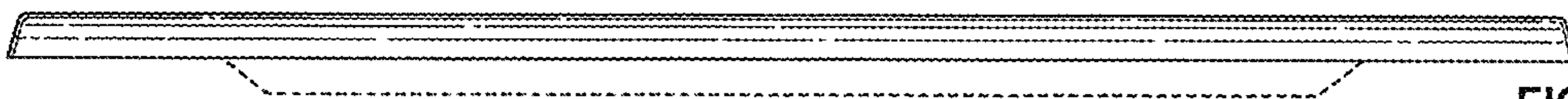


FIG. 7

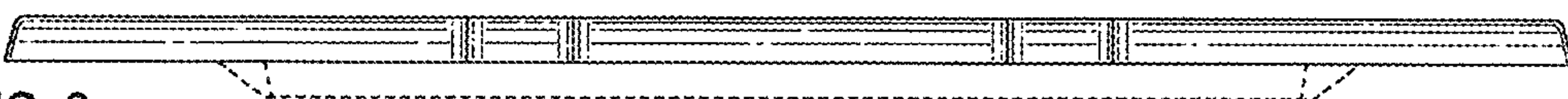


FIG. 8