



US00D812022S

(12) **United States Design Patent**
Buchanan

(10) **Patent No.:** **US D812,022 S**
(45) **Date of Patent:** **** *Mar. 6, 2018**

(54) **MULTI-CHAMBER HEAT SINK MODULE**

(71) Applicant: **EBULLIENT, LLC**, Madison, WI (US)

(72) Inventor: **Robert A. Buchanan**, Madison, WI (US)

(*) Notice: This patent is subject to a terminal disclaimer.

(**) Term: **15 Years**

(21) Appl. No.: **29/539,319**

(22) Filed: **Sep. 12, 2015**

(51) **LOC (11) Cl.** **13-03**

(52) **U.S. Cl.**
USPC **D13/179**

(58) **Field of Classification Search**
USPC D13/179, 182; D15/199
CPC ... H01L 23/473; H01L 23/4735; H01L 23/46;
H01L 23/467; H01L 23/4006; H01L
23/427; F28D 15/00; F28D 15/02; F28D
15/0275; F28F 31/02; G06F 1/20; G06F
2200/201

See application file for complete search history.

(56) **References Cited**

U.S. PATENT DOCUMENTS

D404,720 S *	1/1999	Gayle	D13/179
D494,549 S *	8/2004	Lee	D13/179
D553,170 S *	10/2007	Remsburg	D15/199
D553,656 S *	10/2007	Reeves	D15/199
7,312,987 B1 *	12/2007	Konshak	G06F 1/20 165/80.4
D582,359 S *	12/2008	Chang	D13/179
D715,747 S *	10/2014	Imoto	D13/179
D722,576 S *	2/2015	Zimmer	D13/179
2002/0117291 A1 *	8/2002	Cheon	G06F 1/20 165/80.4
2006/0162340 A1 *	7/2006	Kuo	G06F 1/20 62/3.2

(Continued)

OTHER PUBLICATIONS

Twitter, "Media Tweets by Ebullient (@EbullientInc)", Relevant images as early as Apr. 24, 2015, Accessed May 27, 2016. (https://twitter.com/Ebullient_Inc/media).*

(Continued)

Primary Examiner — Jennifer Rivard

Assistant Examiner — April Rivas

(57) **CLAIM**

The ornamental design for a multi-chamber heat sink module, as shown and described.

DESCRIPTION

FIG. 1 is top, front perspective view of a multi-chamber heat sink module;

FIG. 2 is a bottom, front perspective view of the multi-chamber heat sink module of FIG. 1;

FIG. 3 is a top, rear perspective view of the multi-chamber heat sink module of FIG. 1;

FIG. 4 is a bottom, rear perspective view of the multi-chamber heat sink module of FIG. 1;

FIG. 5 is a top view of the multi-chamber heat sink module of FIG. 1;

FIG. 6 is a bottom view of the multi-chamber heat sink module of FIG. 1;

FIG. 7 is a front view of the multi-chamber heat sink module of FIG. 1;

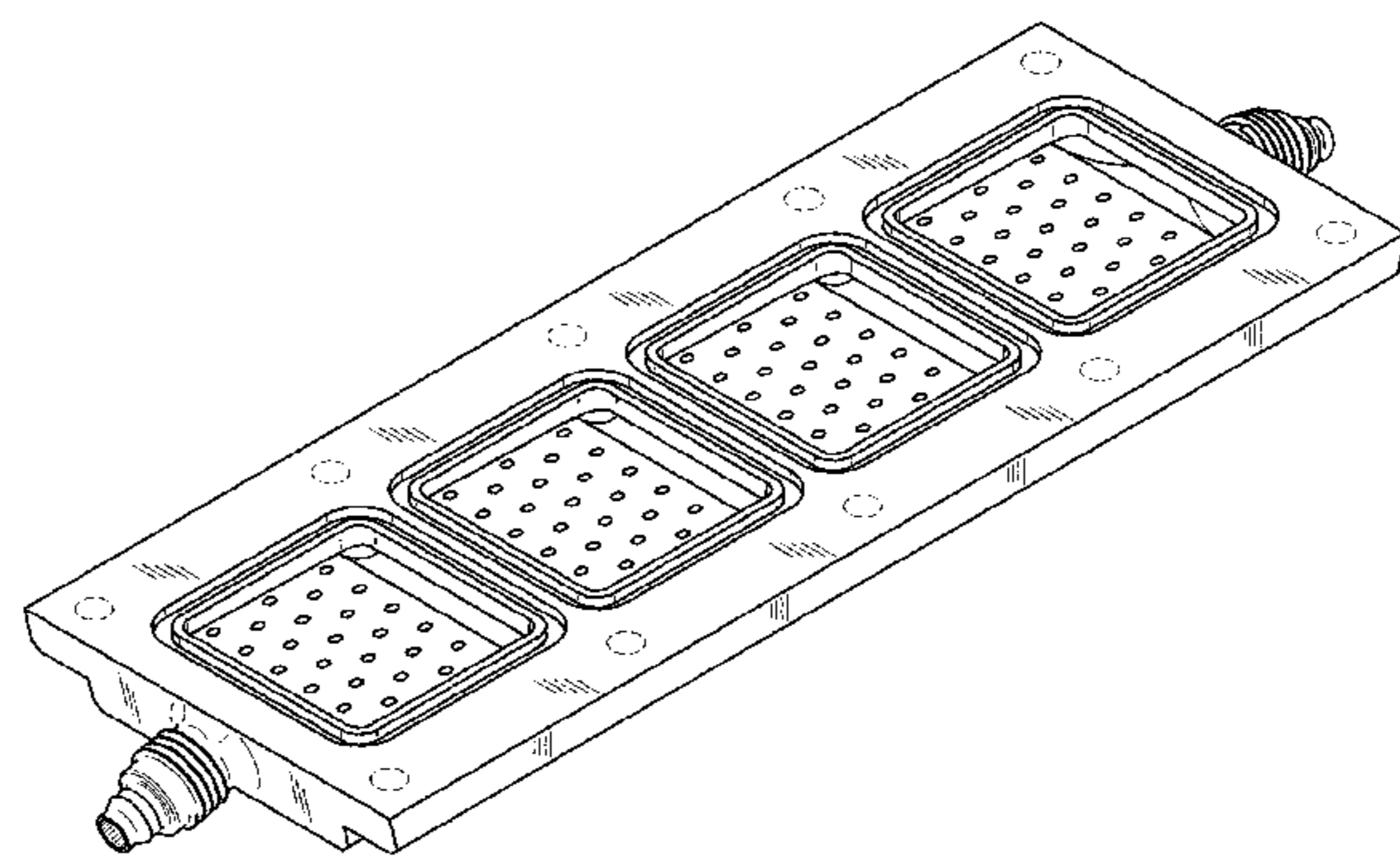
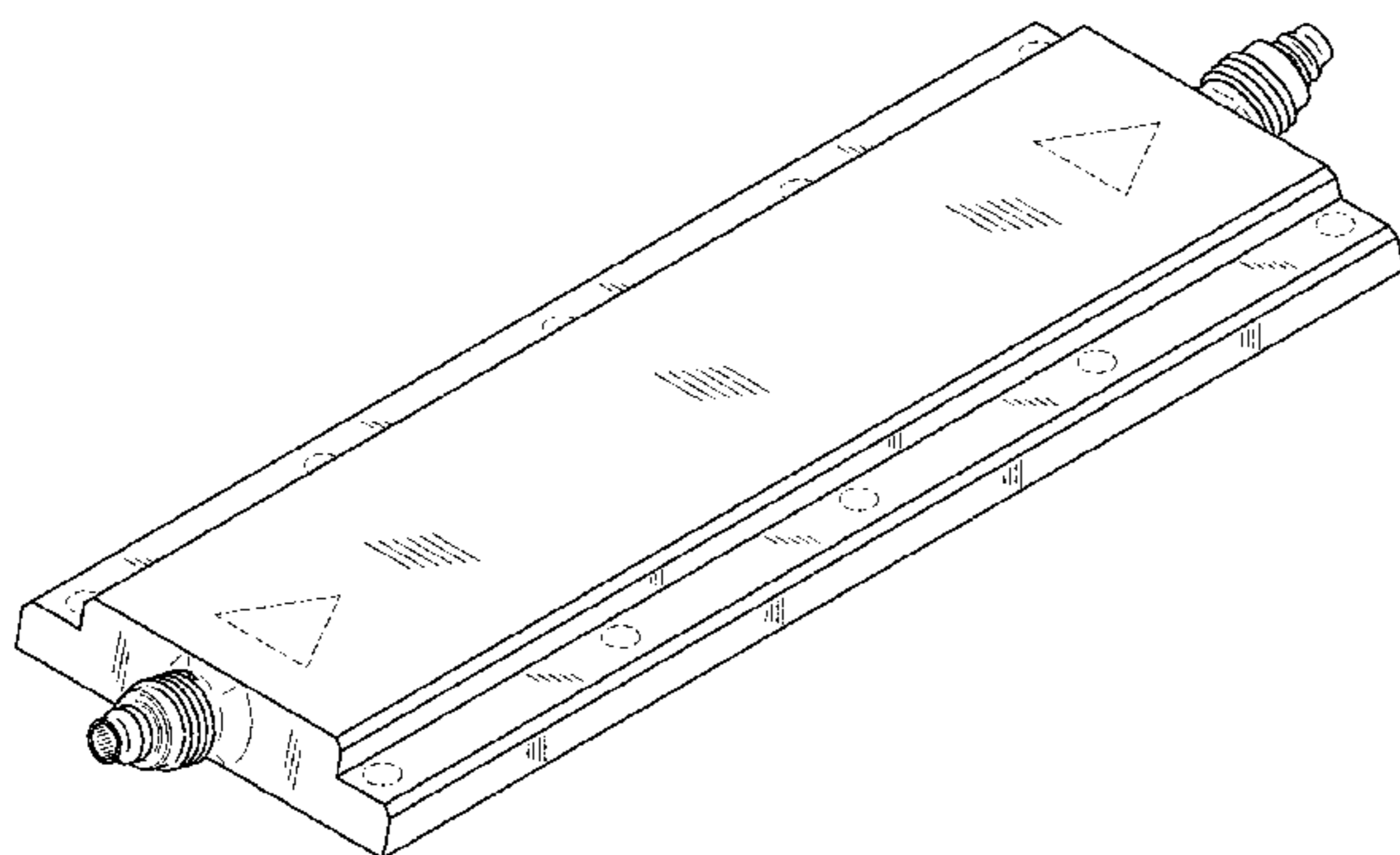
FIG. 8 is a rear view of the multi-chamber heat sink module of FIG. 1;

FIG. 9 is a left side view of the multi-chamber heat sink module of FIG. 1; and,

FIG. 10 is a right side view of the multi-chamber heat sink module of FIG. 1.

The broken lines illustrate portions of the multi-chamber heat sink module and form no part of the claimed design.

1 Claim, 5 Drawing Sheets



(56)

References Cited

U.S. PATENT DOCUMENTS

2009/0120621 A1* 5/2009 Sheinman H01L 23/4735
165/104.33
2011/0155353 A1* 6/2011 Wan F28D 15/00
165/104.31
2014/0030900 A1* 1/2014 Leigh H01L 23/4006
439/196
2014/0069614 A1* 3/2014 Chiu F28D 15/00
165/104.13
2014/0131007 A1* 5/2014 Lyon F28F 9/007
165/67
2014/0311176 A1* 10/2014 Meng F25D 7/00
62/314
2014/0313806 A1* 10/2014 Shinohara H05K 7/20927
363/141
2015/0124404 A1* 5/2015 Shen H01R 13/62994
361/694
2016/0128238 A1* 5/2016 Shedd H05K 7/20772
361/679.47

OTHER PUBLICATIONS

Aliexpress, Results for “copper water block . . .”, Searched Jun. 27, 2016. (<http://www.aliexpress.com/cp/copper-water-block-online-shopping.html>.*

* cited by examiner

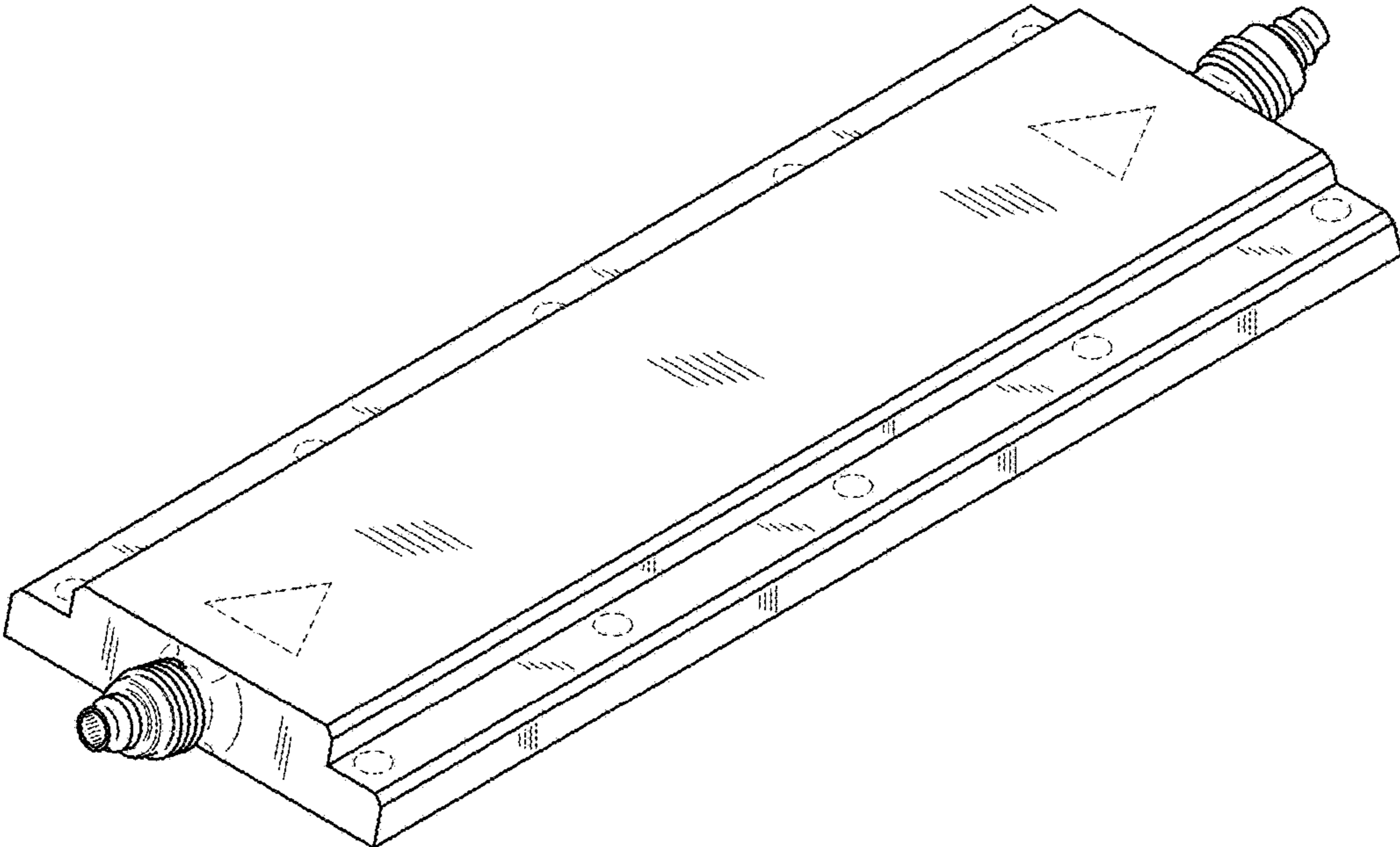


FIG. 1

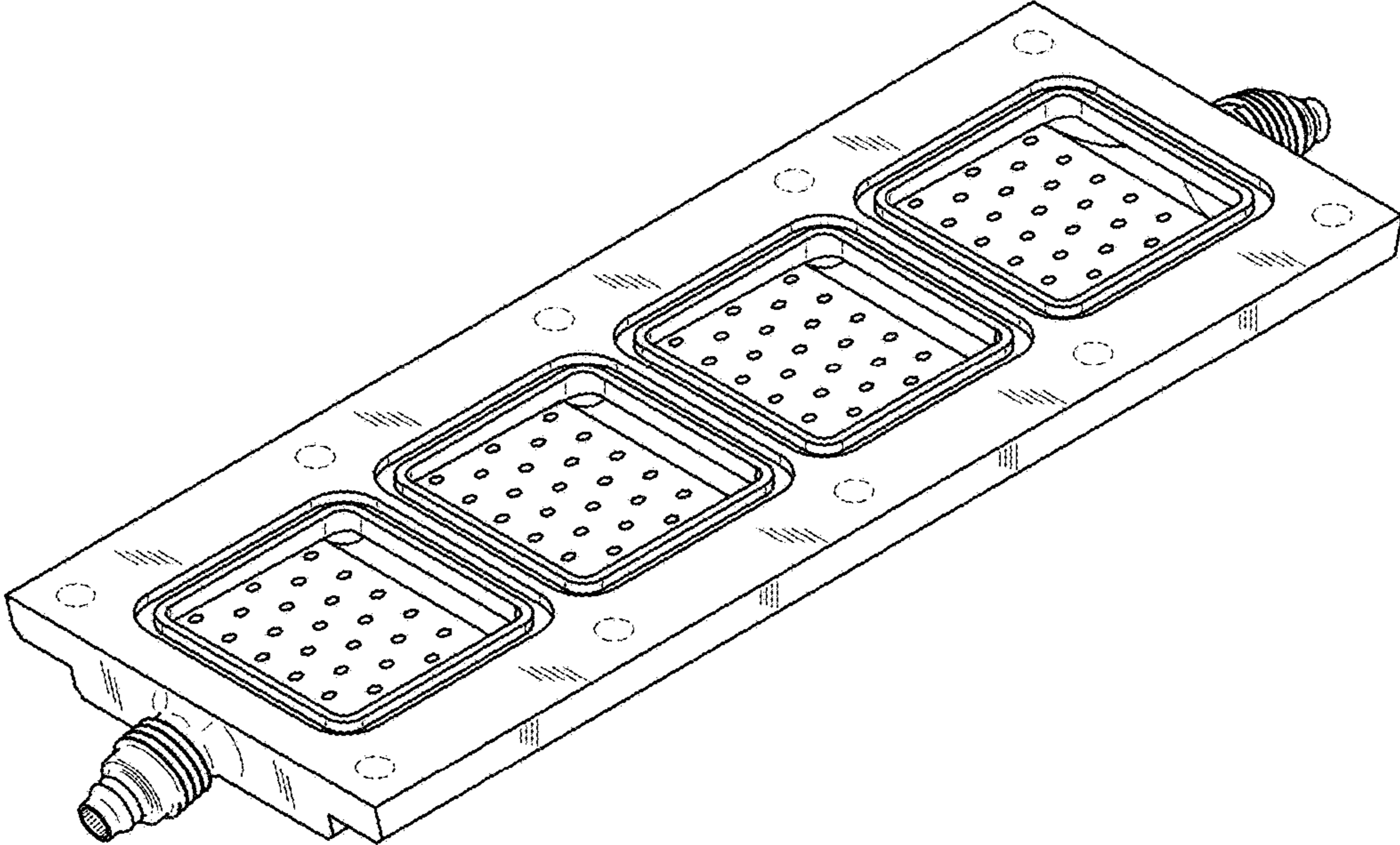


FIG. 2

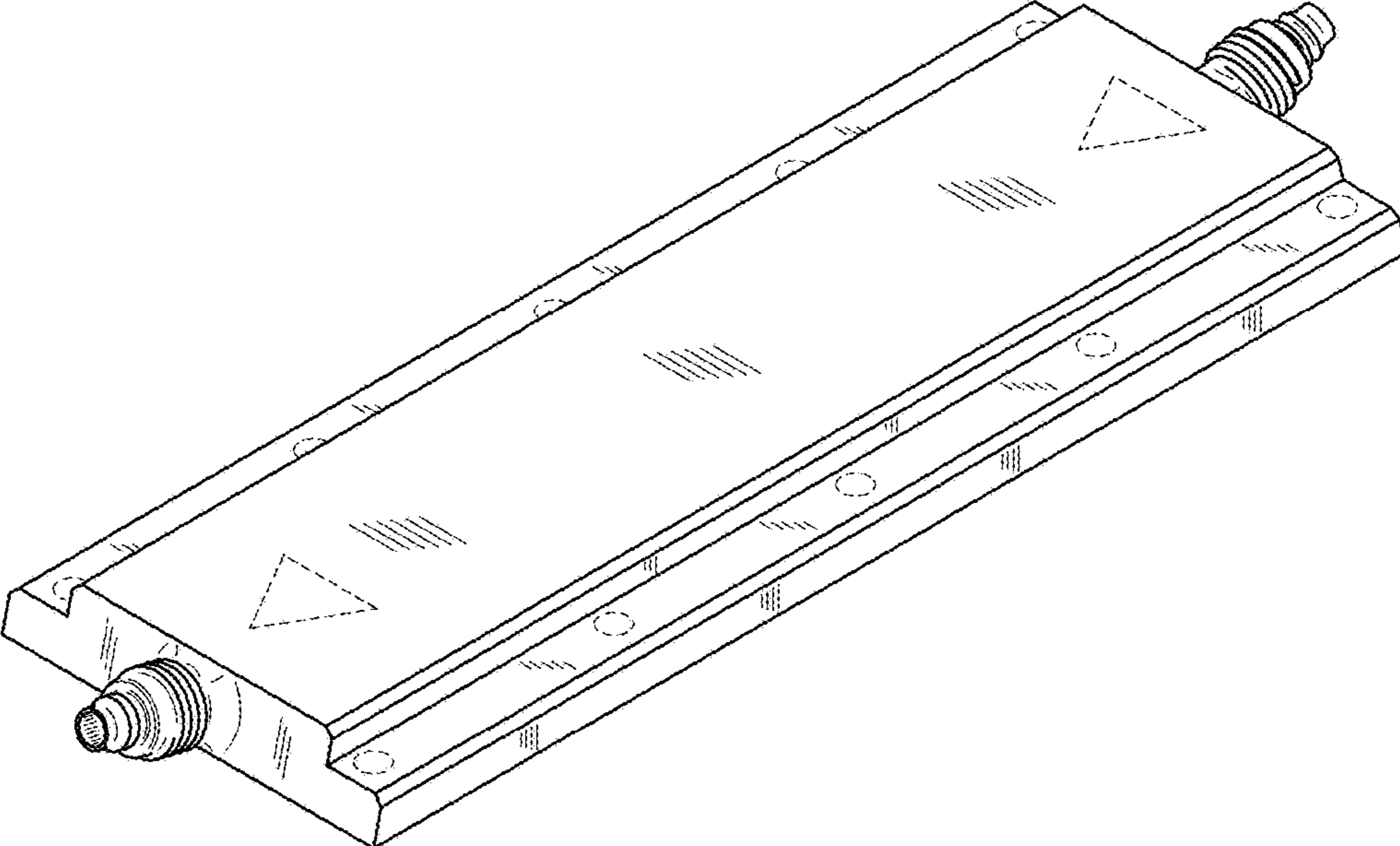


FIG. 3

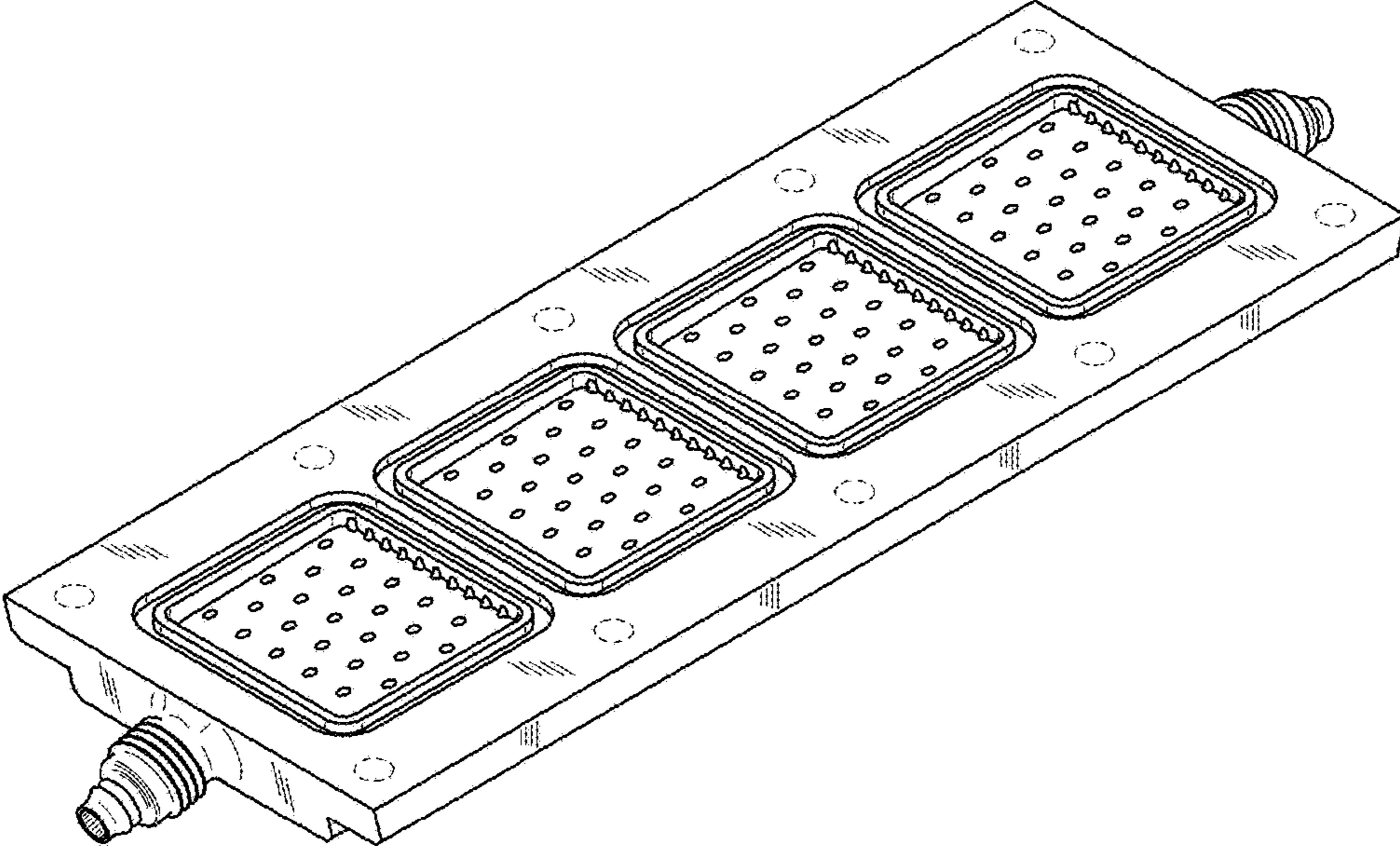


FIG. 4

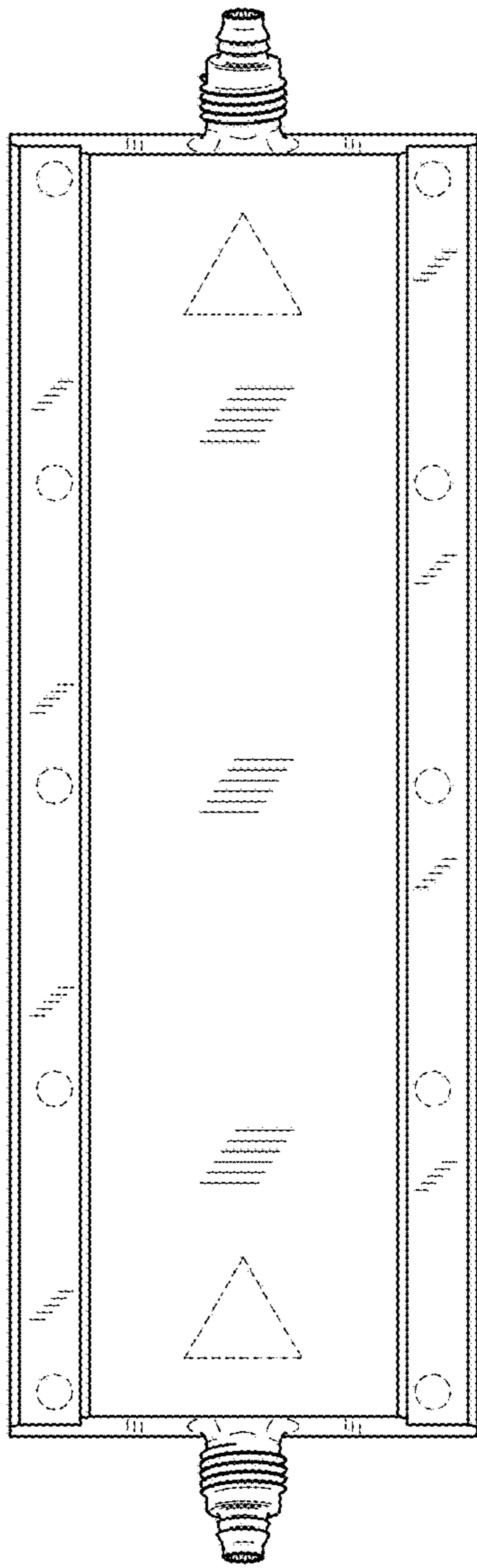


FIG. 5

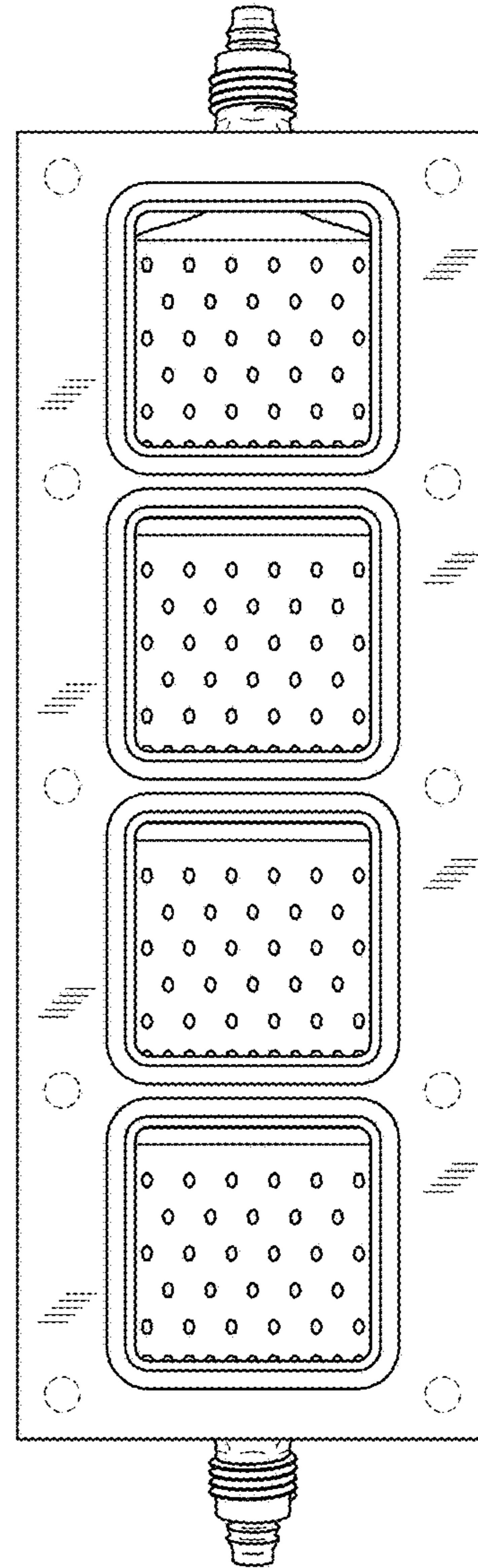


FIG. 6

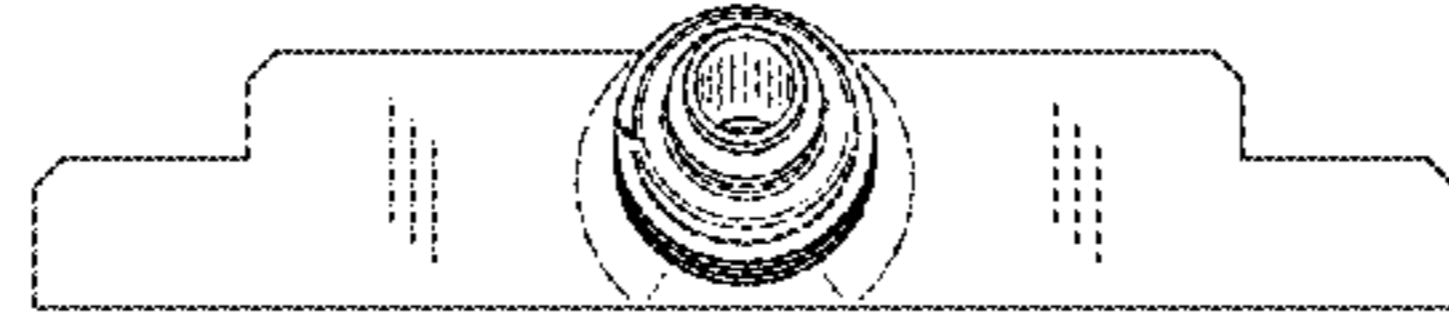


FIG. 7

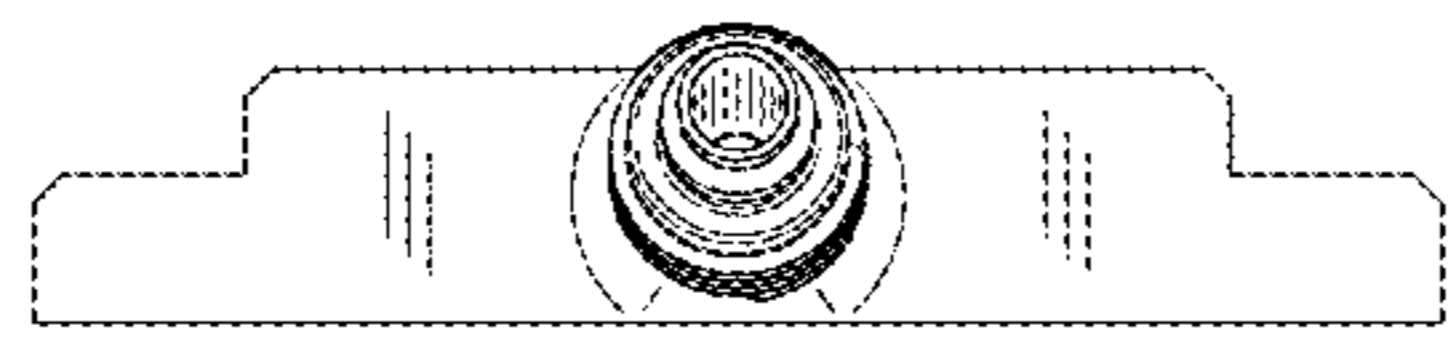


FIG. 8

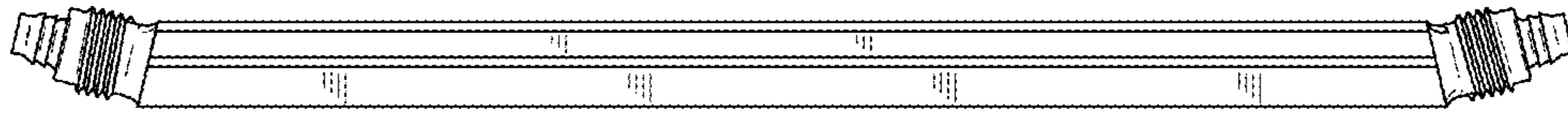


FIG. 9



FIG. 10