



US00D812021S

(12) **United States Design Patent** (10) **Patent No.:** **US D812,021 S**
Lee et al. (45) **Date of Patent:** **** Mar. 6, 2018**

(54) DIGITAL SWITCH	D421,966 S * 3/2000 Allen D13/174
	6,107,583 A * 8/2000 Berfield H01H 23/143
	200/302.2
(71) Applicant: LG ELECTRONICS INC. , Seoul (KR)	D434,393 S * 11/2000 Gehr D13/174
	D455,405 S * 4/2002 Bonn D13/158
	D464,630 S * 10/2002 Woodworth D13/171
(72) Inventors: Hophil Lee , Seoul (KR); Kyoungjoun Kim , Seoul (KR); Bonghui Kang , Seoul (KR)	D501,652 S * 2/2005 Pierson D13/171
	D522,464 S * 6/2006 Mayo D13/162
	D540,266 S * 4/2007 Mayo D13/162
	D565,513 S * 4/2008 Biondo D13/174
(73) Assignee: LG Electronics Inc. , Seoul (KR)	D631,929 S * 2/2011 Doone D19/100
	D675,949 S * 2/2013 Chang D10/106.9
(**) Term: 15 Years	D685,790 S * 7/2013 Tang D14/218
(21) Appl. No.: 35/502,237	D715,228 S * 10/2014 Lee D13/158
	D733,493 S * 7/2015 Barberi D7/393
(22) Filed: Jul. 6, 2016	D738,324 S * 9/2015 Zheng D13/158
	D740,762 S * 10/2015 Miller D13/162
	D741,271 S * 10/2015 Noack D13/174
	D742,770 S * 11/2015 Windstrup D10/104.1

(Continued)

(80) **Hague Agreement Data**

Int. Filing Date: **Jul. 6, 2016**
 Int. Reg. No.: **DM/091695**
 Int. Reg. Date: **Jul. 6, 2016**
 Int. Reg. Pub. Date: **Jan. 6, 2017**

Primary Examiner — Rhea Shields
 (74) *Attorney, Agent, or Firm* — Birch, Stewart, Kolasch & Birch, LLP

(30) **Foreign Application Priority Data**

Jan. 14, 2016 (KR) 30-2016-0001847

(51) **LOC (11) Cl.** **13-03**

(52) **U.S. Cl.**
USPC **D13/171**

(58) **Field of Classification Search**
 USPC D13/171, 162, 108, 168, 174, 158;
 D14/218, 356, 228, 223, 205; D22/108;
 D24/187; 200/513, 302.2
 CPC H01H 13/702; H01H 23/143
 See application file for complete search history.

(56) **References Cited**

U.S. PATENT DOCUMENTS

4,677,268 A * 6/1987 Nemeth H01H 13/702
 200/513
 D362,841 S * 10/1995 Roza D13/171

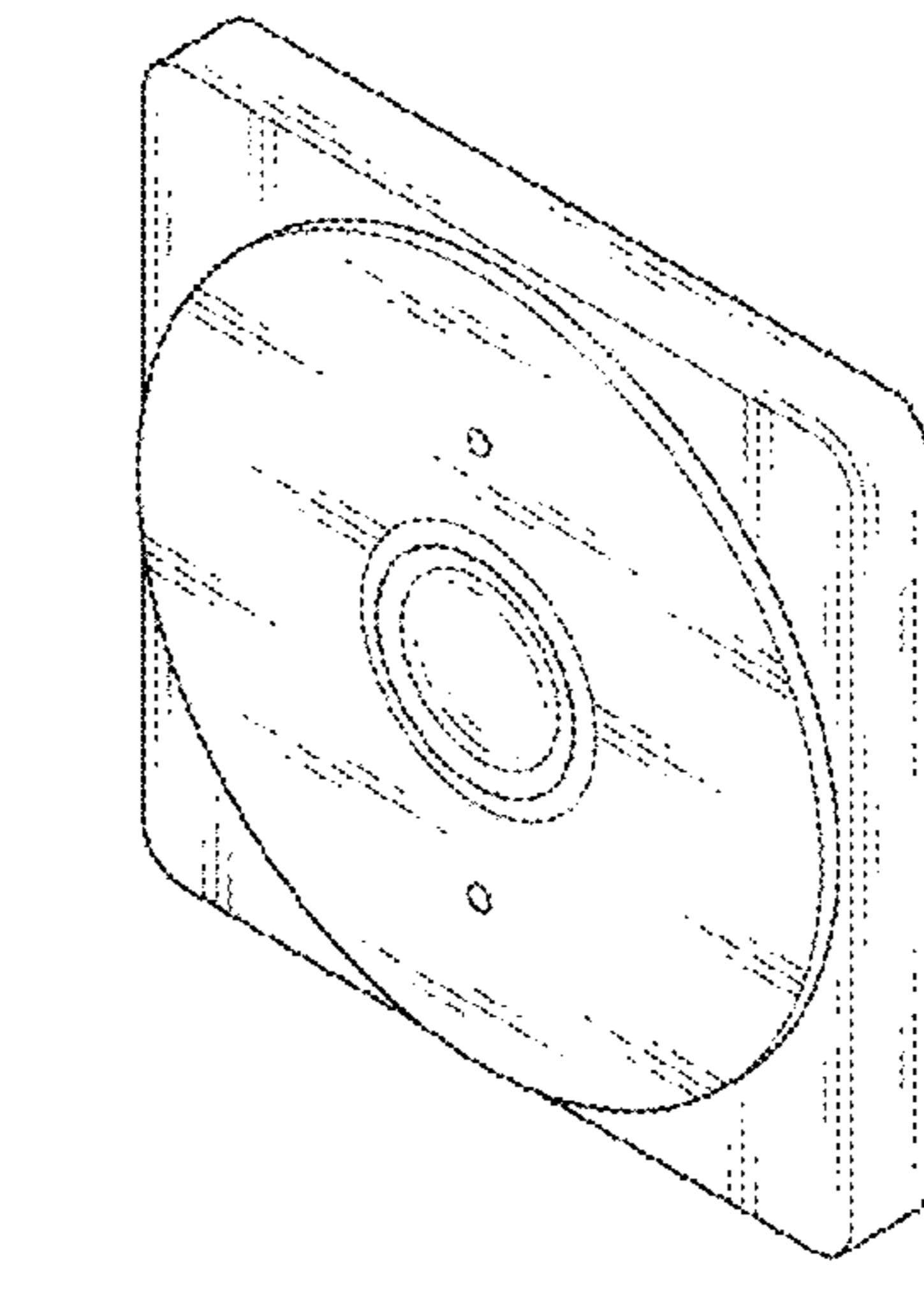
(57) **CLAIM**

The ornamental design for a digital switch, as shown and described.

DESCRIPTION

1. Digital switch
 1.1 is a perspective view;
 1.2 is a front view;
 1.3 is a back view;
 1.4 is side view;
 1.5 is a side view;
 1.6 is top view;
 1.7 is a bottom view;
 1.8 is a perspective view shown in an environment; and
 1.9 is another perspective view shown in an environment.
 In the reproductions, the broken lines are for the purpose of illustrating environment only and form no part of the claimed design.

1 Claim, 9 Drawing Sheets



(56)

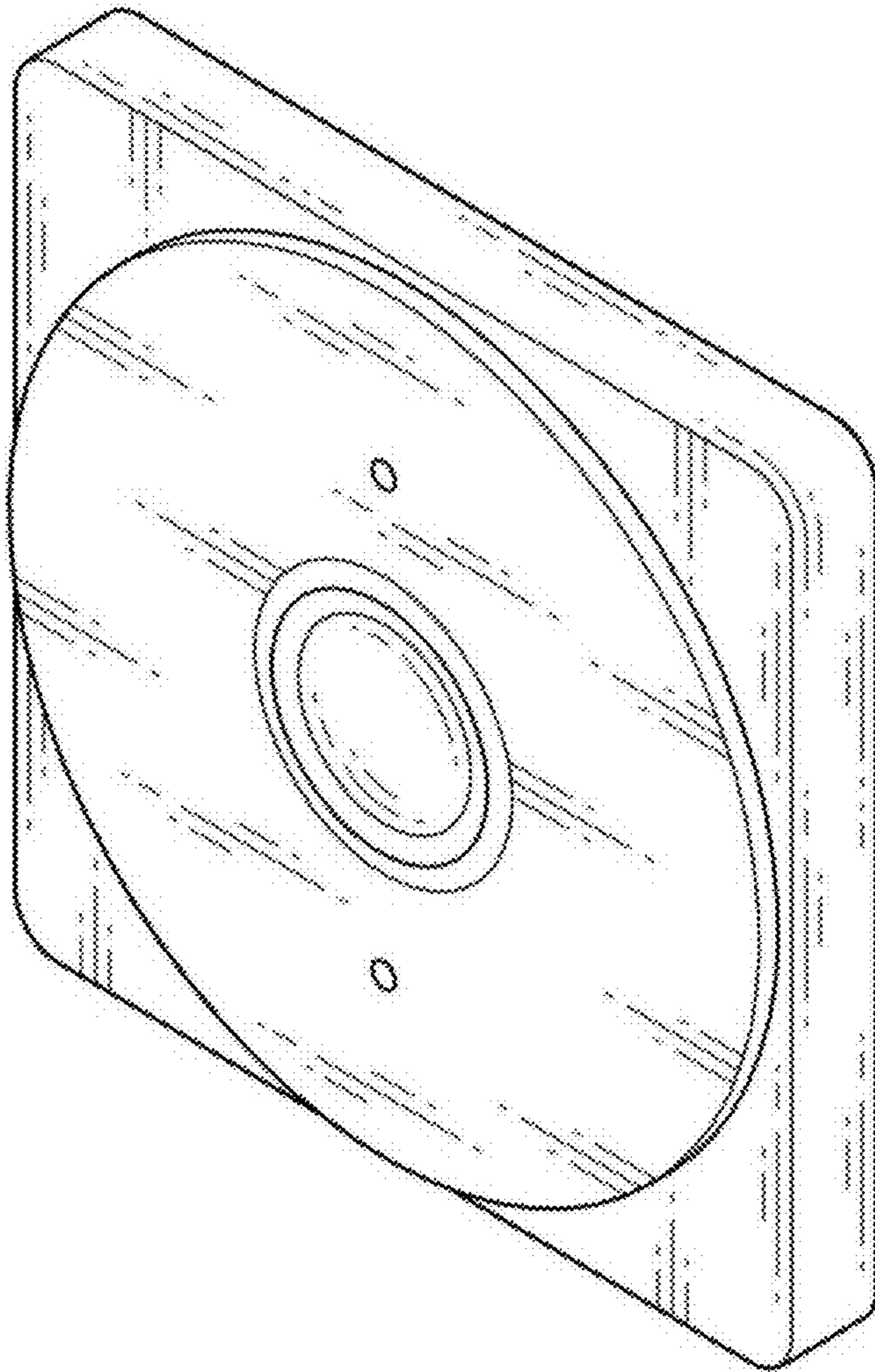
References Cited

U.S. PATENT DOCUMENTS

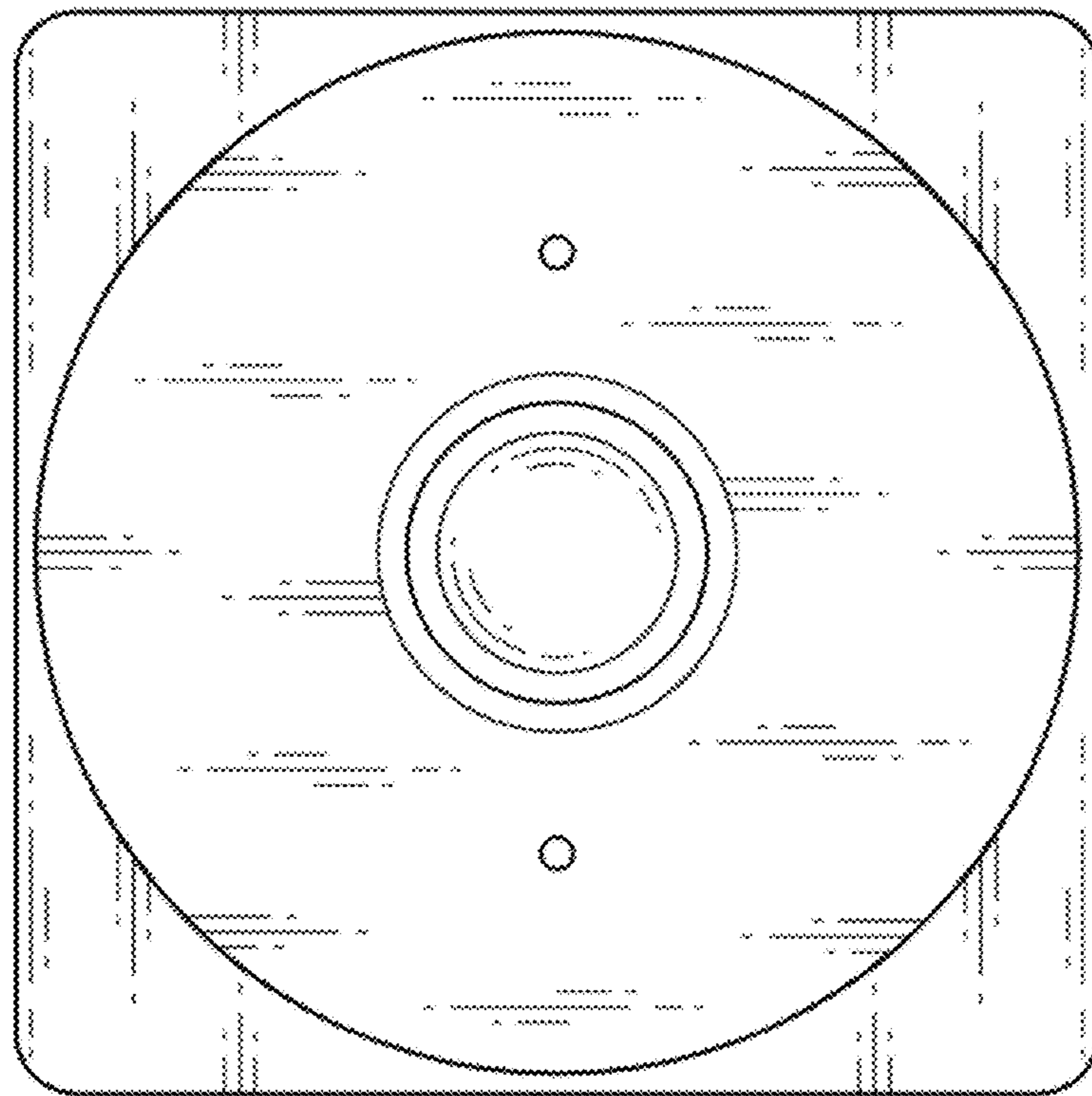
D748,078	S	*	1/2016	Nardin	D14/218
D750,493	S	*	3/2016	Andujar	D9/454
D752,503	S	*	3/2016	Sethapun	D12/345
D765,073	S	*	8/2016	Niizawa	D14/356
D777,103	S	*	1/2017	Park	D13/108
D777,683	S	*	1/2017	Kashimoto	D13/168
D782,973	S	*	4/2017	Zhou	D13/108
D782,987	S	*	4/2017	Gassner	D13/171
D784,259	S	*	4/2017	Huang	D13/108
D784,963	S	*	4/2017	Saule	D14/228
D787,032	S	*	5/2017	Stenka	D23/322
D788,046	S	*	5/2017	Oksengendler	D13/162
D794,611	S	*	8/2017	Valenzuela	D14/223
D795,835	S	*	8/2017	Nagamine	D14/205
D803,344	S	*	11/2017	Huyke-Phillips	D22/108
D803,410	S	*	11/2017	Im	D24/187

* cited by examiner

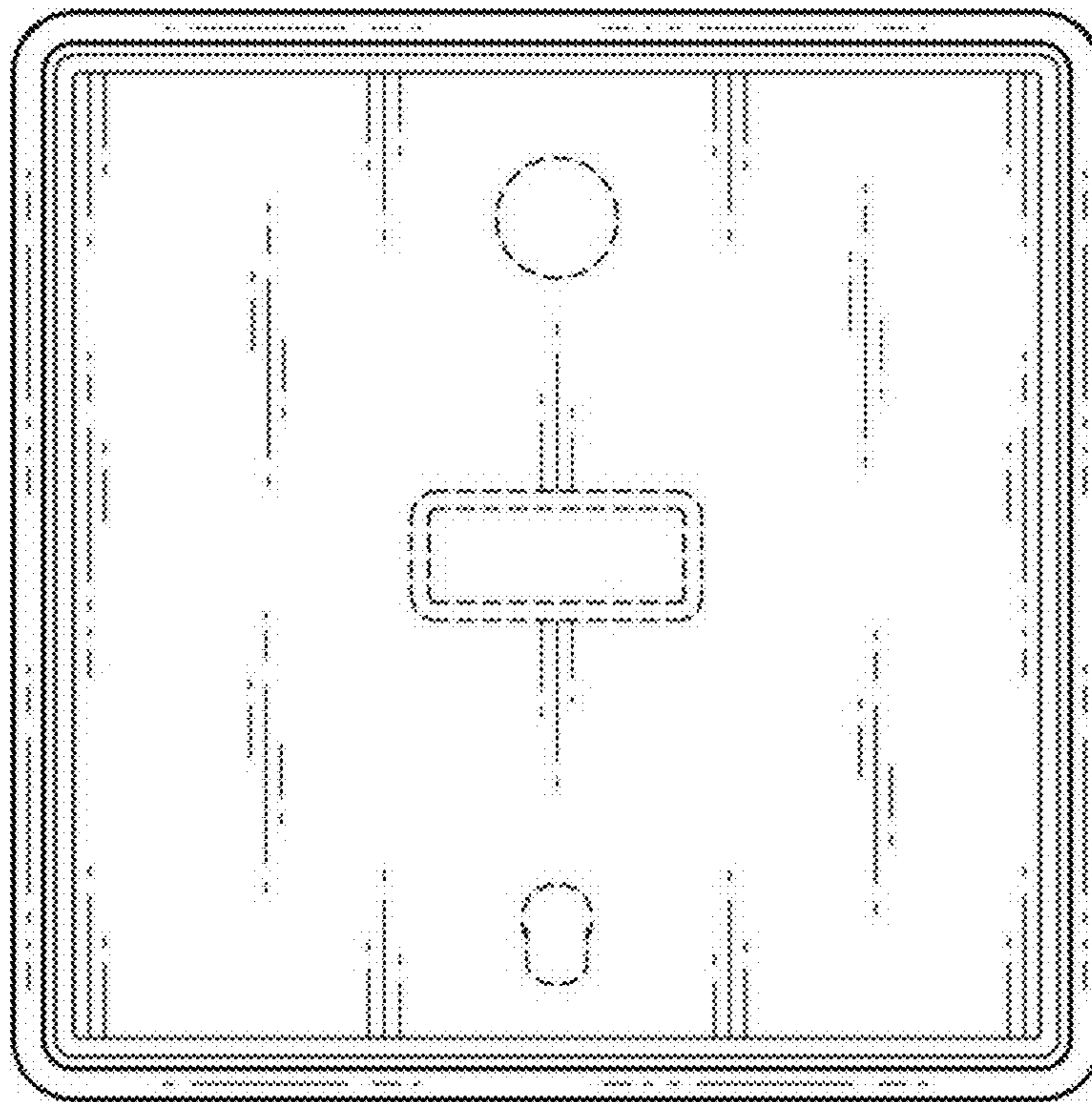
1.1



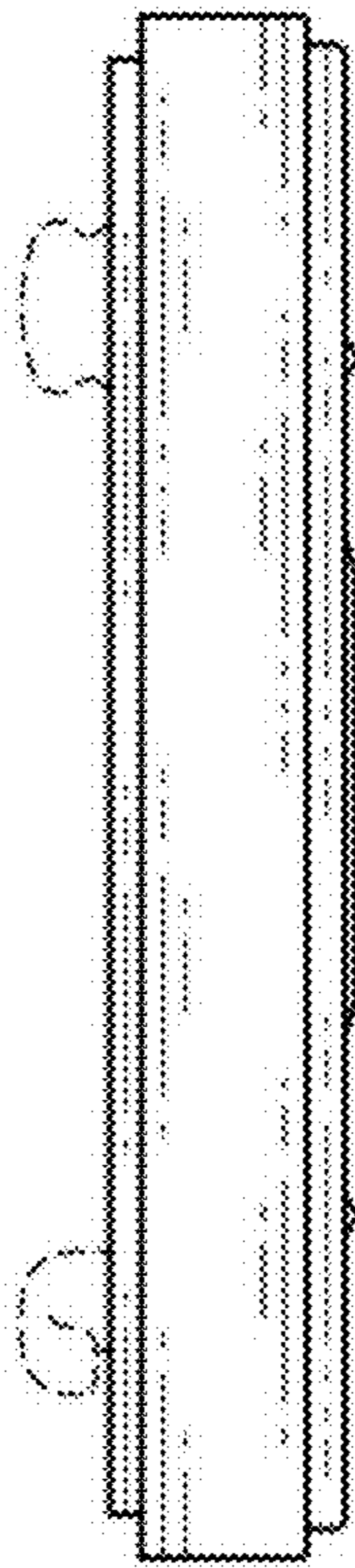
1.2



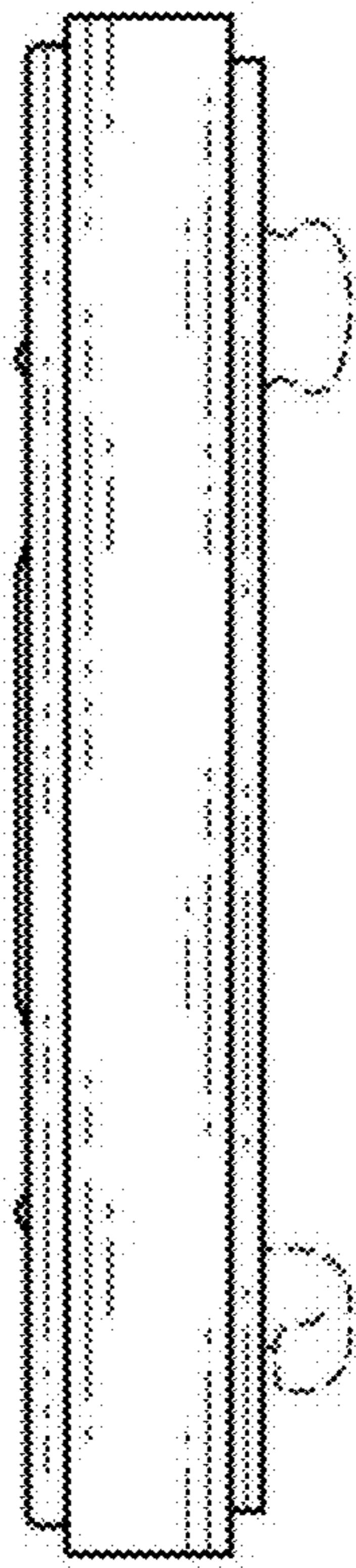
1.3



1.4



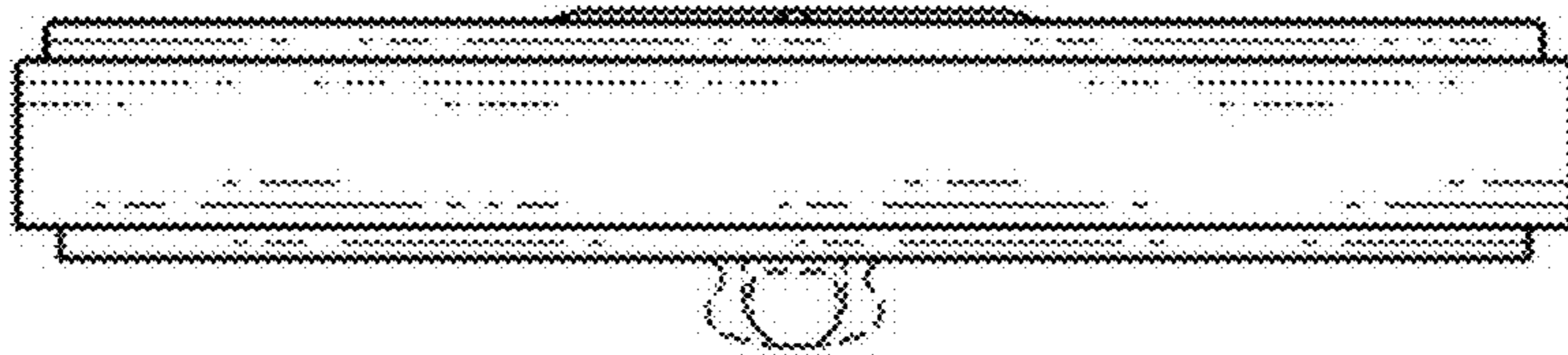
1.5



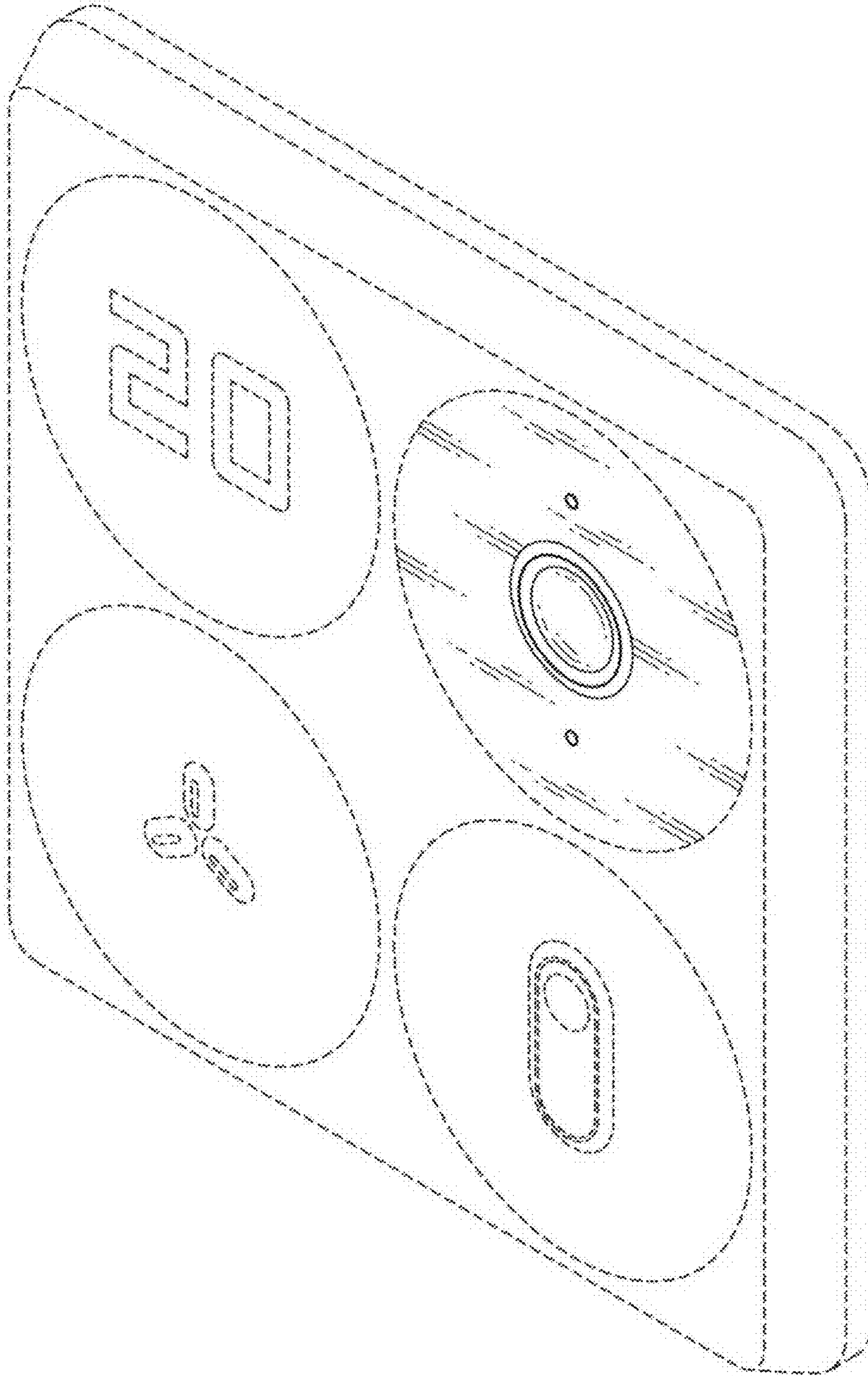
1.6



1.7



1.8



1.9

