



US00D812020S

(12) **United States Design Patent**  
**Seidl et al.**

(10) **Patent No.:** **US D812,020 S**  
(45) **Date of Patent:** **\*\* Mar. 6, 2018**

(54) **SWITCH**

(71) Applicant: **Raffel Systems, LLC**, Germantown, WI (US)

(72) Inventors: **Kenneth G. Seidl**, Port Washington, WI (US); **Paul Li**, Milwaukee, WI (US); **Douglas A. Dorn**, Brookfield, WI (US)

(73) Assignee: **Raffel Systems, LLC**, Germantown, WI (US)

(\*\*) Term: **15 Years**

(21) Appl. No.: **29/592,606**

(22) Filed: **Jan. 31, 2017**

(51) **LOC (11) Cl.** ..... **13-03**

(52) **U.S. Cl.**

USPC ..... **D13/162**; D13/171

(58) **Field of Classification Search**

USPC ..... D13/162, 164, 171, 173, 174

CPC ..... H01H 3/02; H01H 3/022; H01H 3/12;

H01H 3/122; H01H 9/02; H01H 9/0235;

H01H 13/023; H01H 13/04; H01H 13/06;

H01H 13/063; H01H 13/10; H01H 13/12;

H01H 13/14; H01H 13/36; H01H 13/70;

H01H 13/86; H01H 21/24; H01H 25/065;

A47C 1/0345; A47C 1/035; A47C 7/506

See application file for complete search history.

(56) **References Cited**

**U.S. PATENT DOCUMENTS**

D689,825 S *	9/2013	Wenji	.....	D13/162
D740,763 S *	10/2015	Wenji	.....	D13/162
D758,975 S *	6/2016	Hunter	.....	D13/162
D768,583 S *	10/2016	Dorn	.....	D13/174
D777,688 S *	1/2017	Seidl	.....	D13/171
D786,805 S *	5/2017	Anderson	.....	D13/174
9,640,343 B2 *	5/2017	Koch	.....	H01H 9/0207

D788,719 S *	6/2017	Li	.....	D13/171
9,804,632 B2 *	10/2017	Gassner	.....	G05G 1/02
2011/0198894 A1 *	8/2011	Hsieh	.....	A47C 1/0242
				297/68
2014/0353134 A1 *	12/2014	Muller	.....	H01H 3/20
				200/5 A

\* cited by examiner

*Primary Examiner* — Selina Sikder

(74) *Attorney, Agent, or Firm* — Casimir Jones S.C.;  
Tyler J. Sisk

(57) **CLAIM**

The ornamental design for a switch, as shown and described.

**DESCRIPTION**

FIG. 1 is a three-quarter perspective view showing our new design of a switch;

FIG. 2 is a front elevational view thereof;

FIG. 3 is a rear elevational view thereof;

FIG. 4 is a left side elevational view thereof;

FIG. 5 is a right side elevational view thereof;

FIG. 6 is a top plan view thereof; and

FIG. 7 is a bottom plan view thereof.

FIG. 8 is a three-quarter perspective view of a modified form of the design;

FIG. 9 is a front elevational view thereof;

FIG. 10 is a rear elevational view thereof;

FIG. 11 is a left side elevational view thereof;

FIG. 12 is a right side elevational view thereof;

FIG. 13 is a top plan view thereof; and,

FIG. 14 is a bottom plan view thereof.

The broken lines shown in FIGS. 1 through 14 are for the purpose of illustrating environment, and form no part of the claimed design.

**1 Claim, 14 Drawing Sheets**

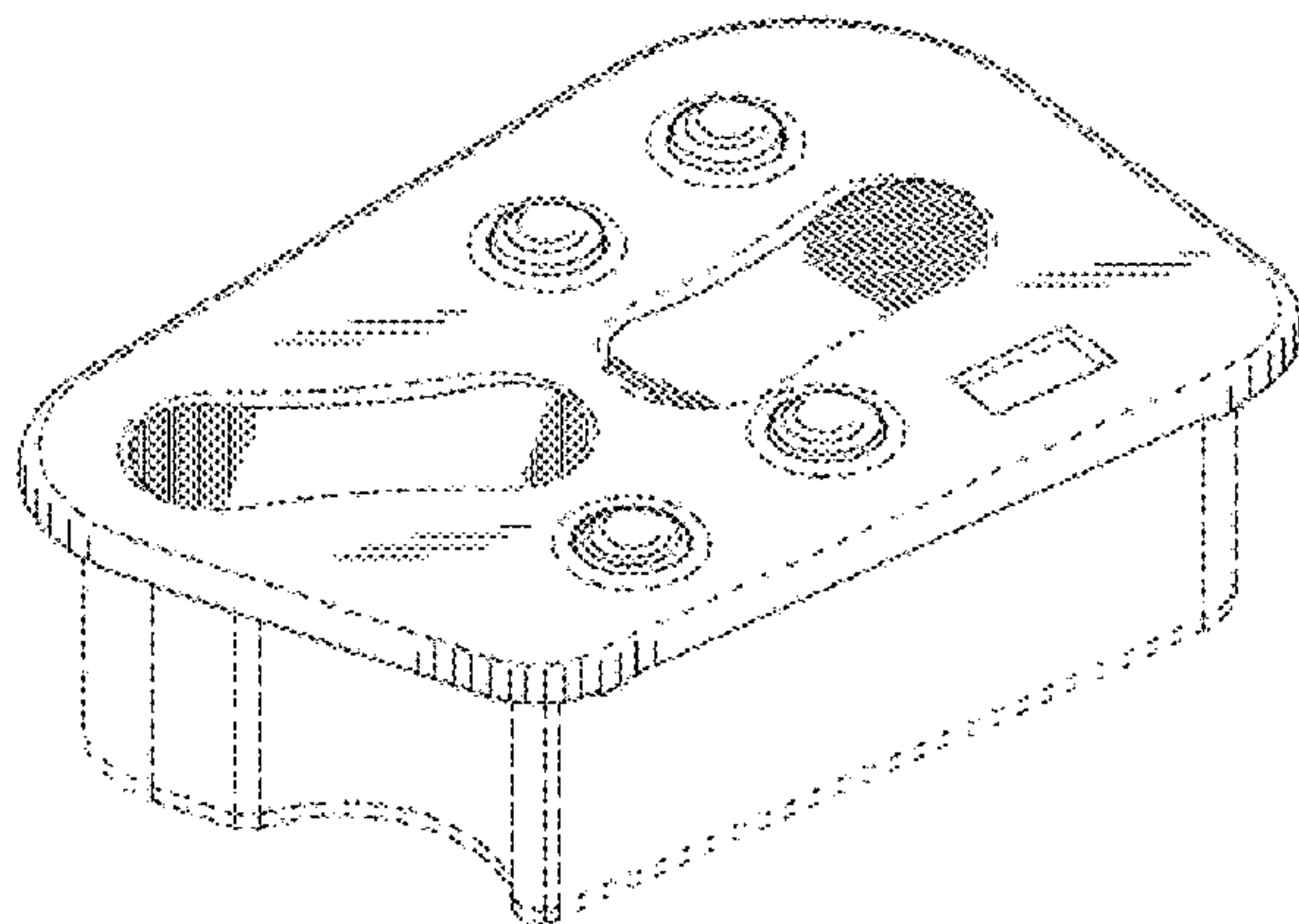
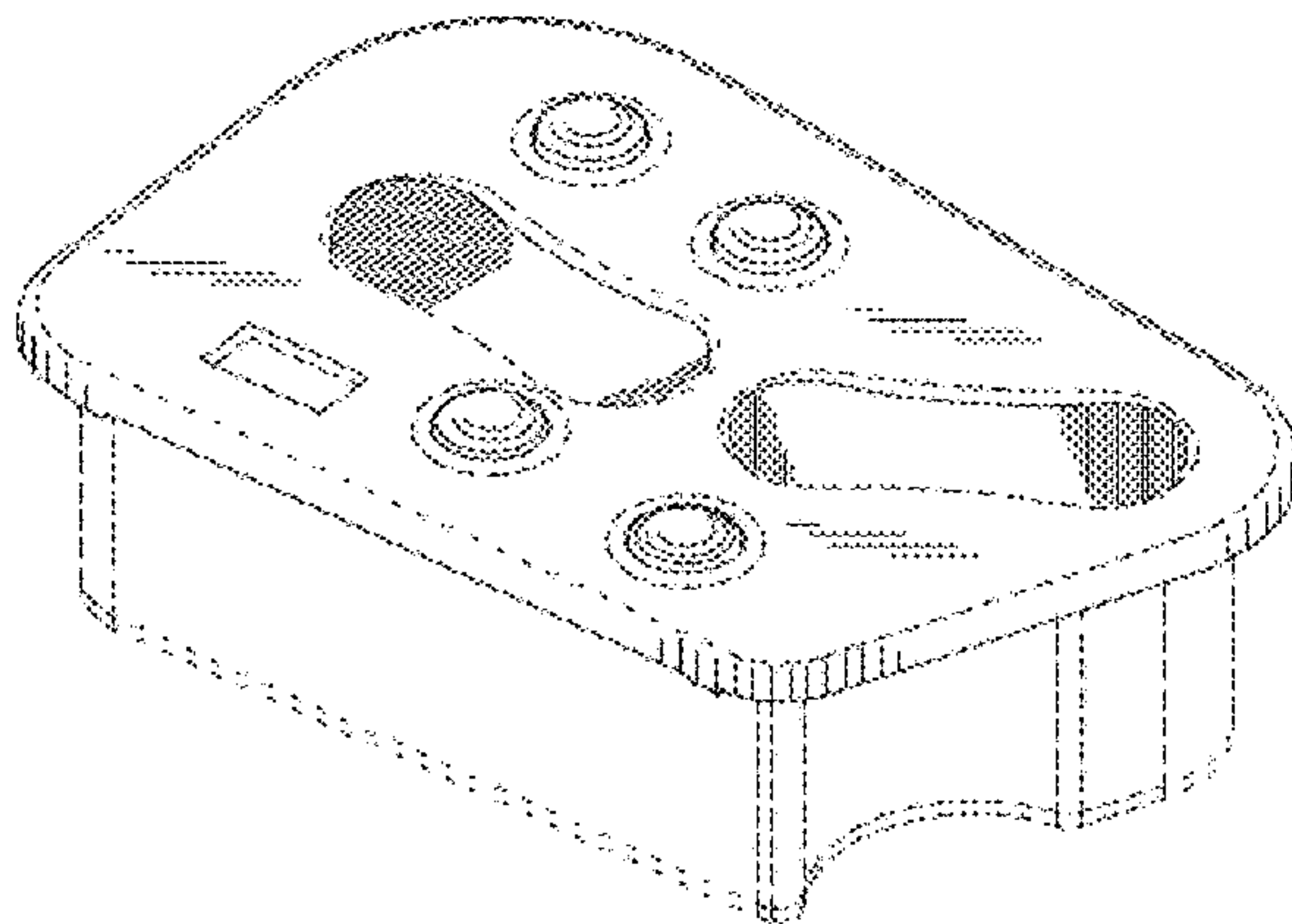


FIG. 1

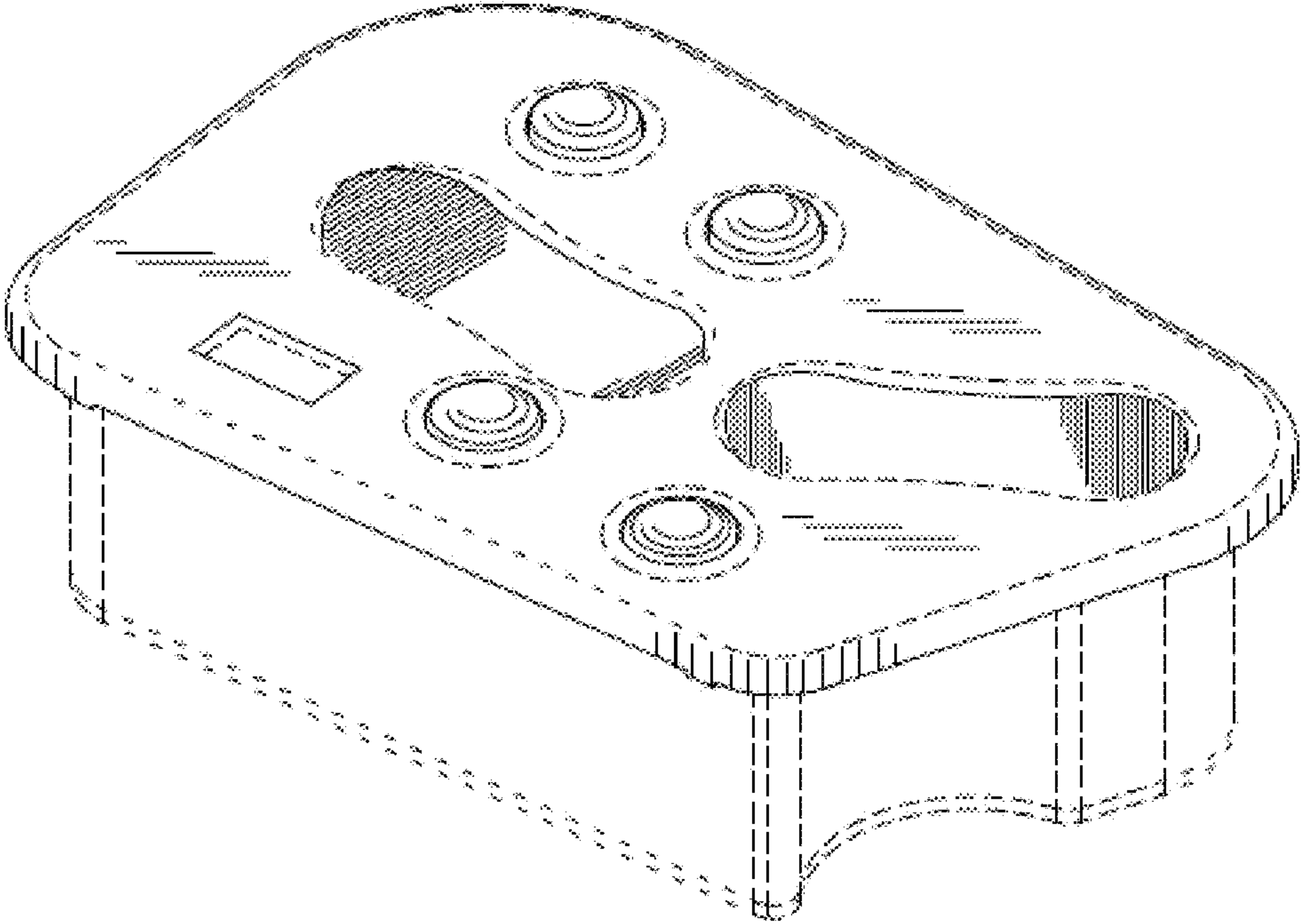


FIG. 2

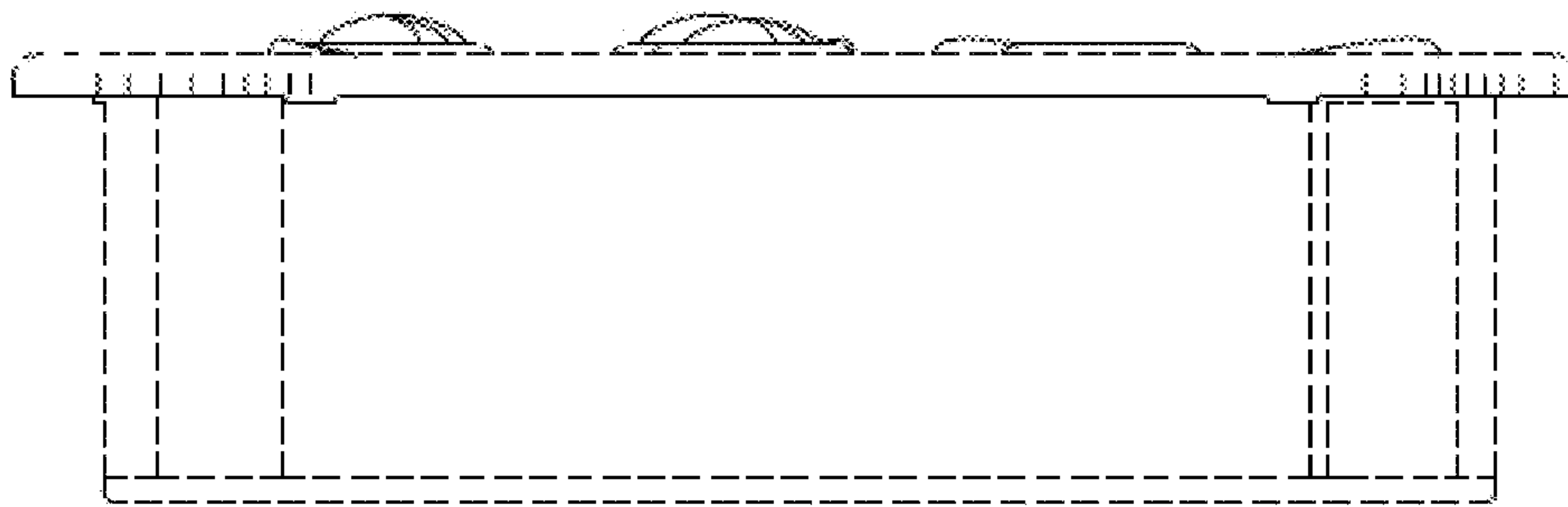


FIG. 3

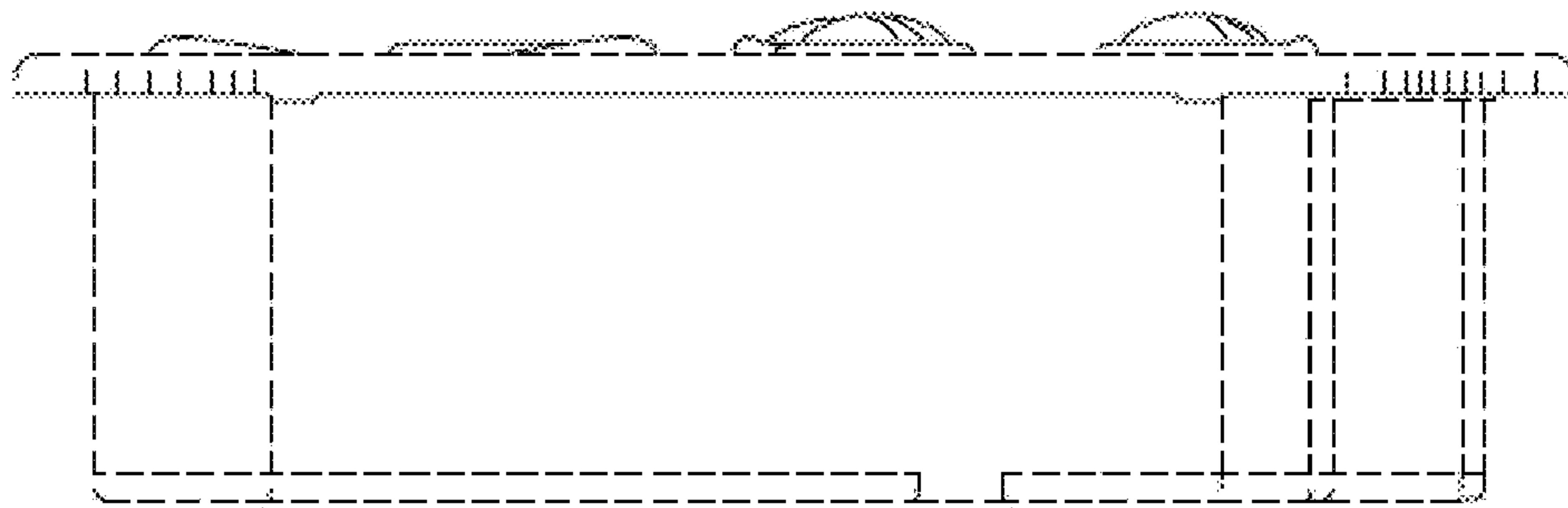


FIG. 4

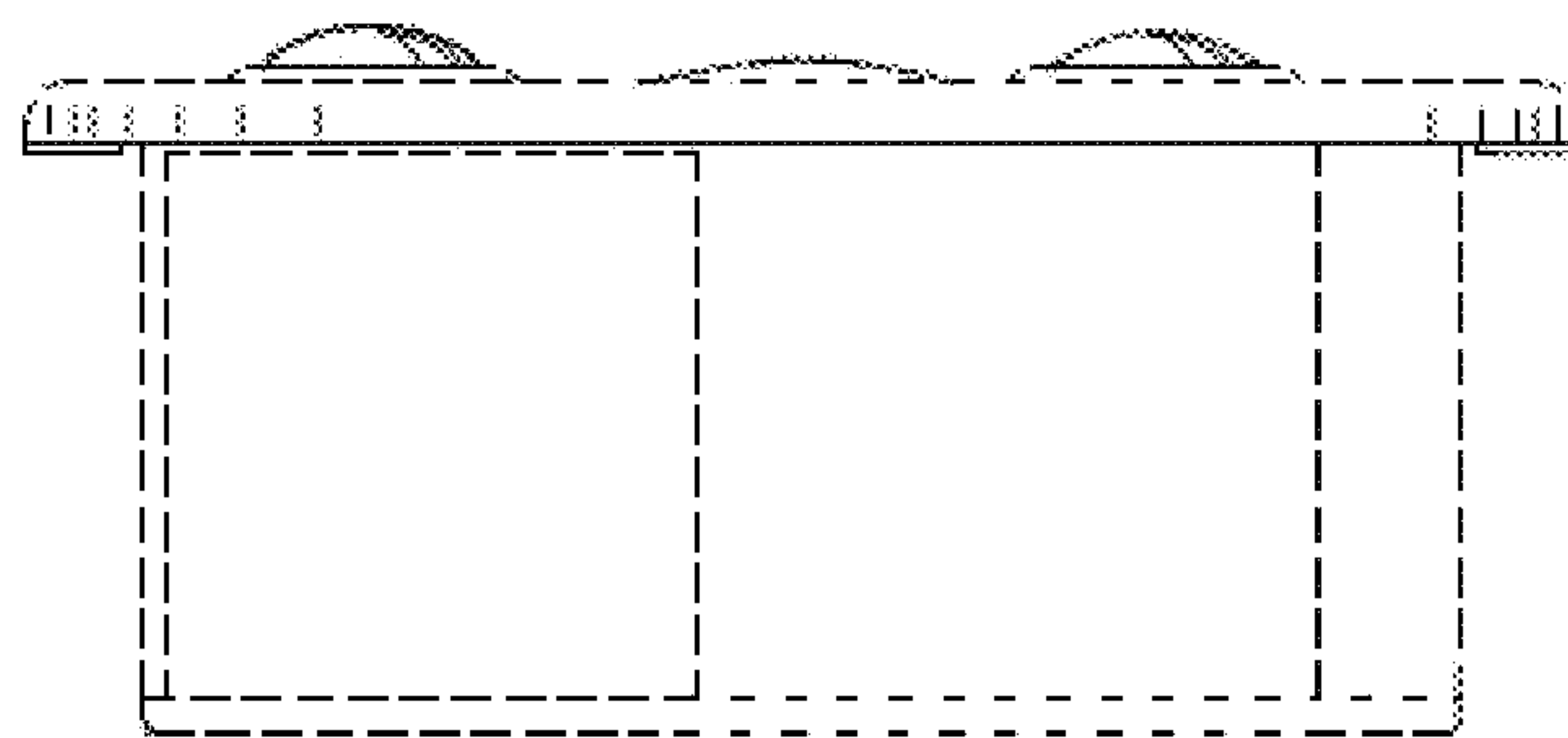


FIG. 5

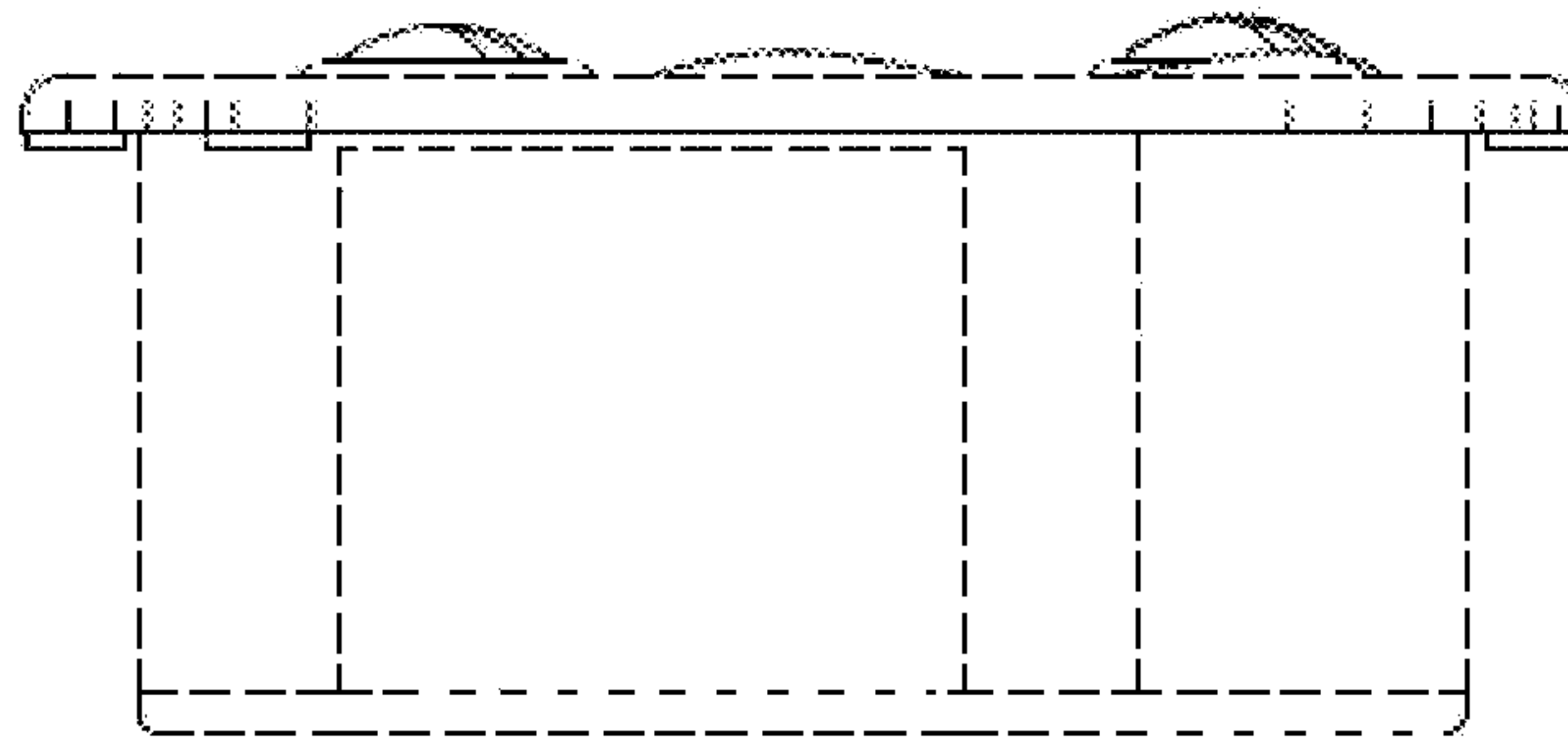


FIG. 6

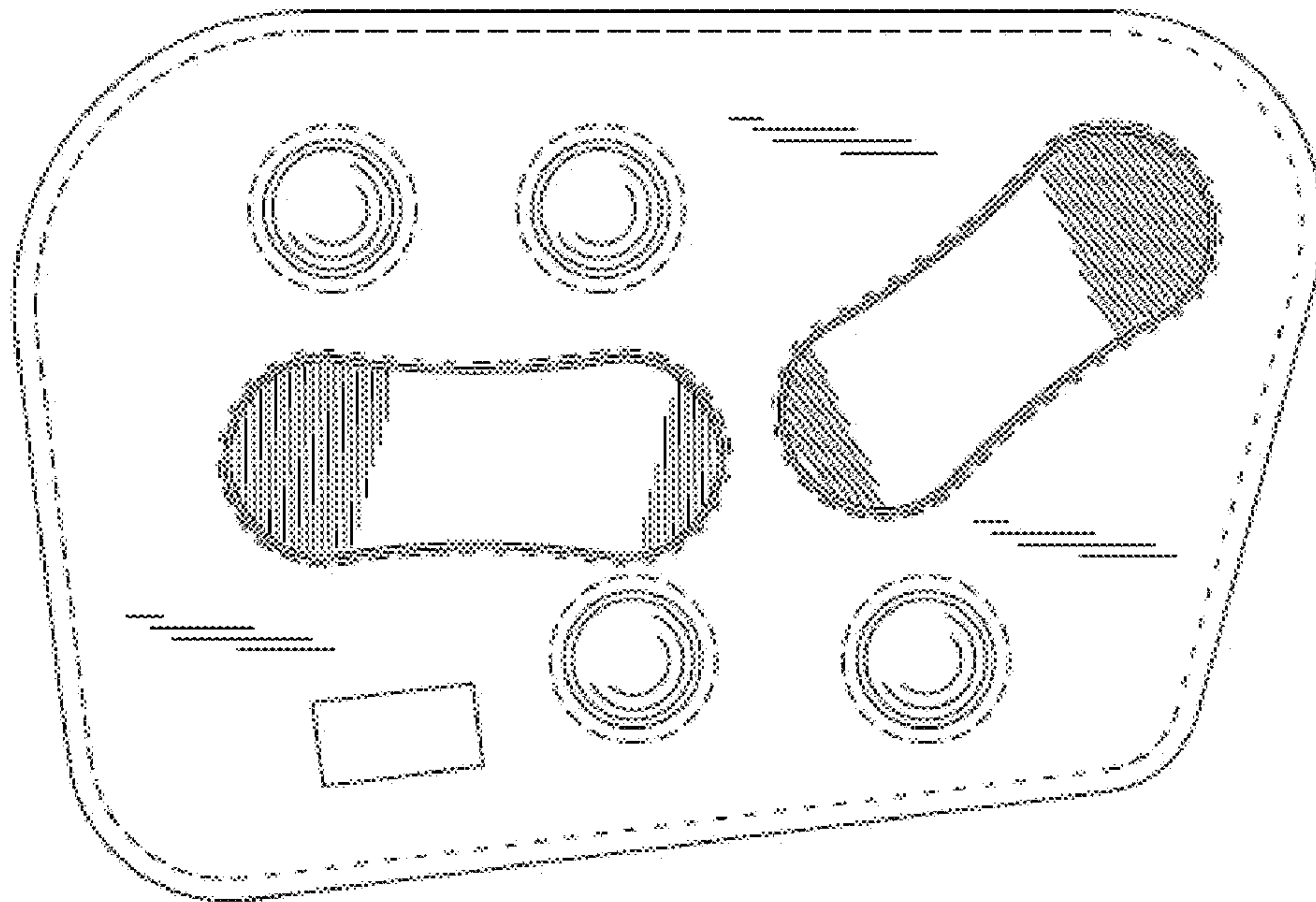




FIG. 7

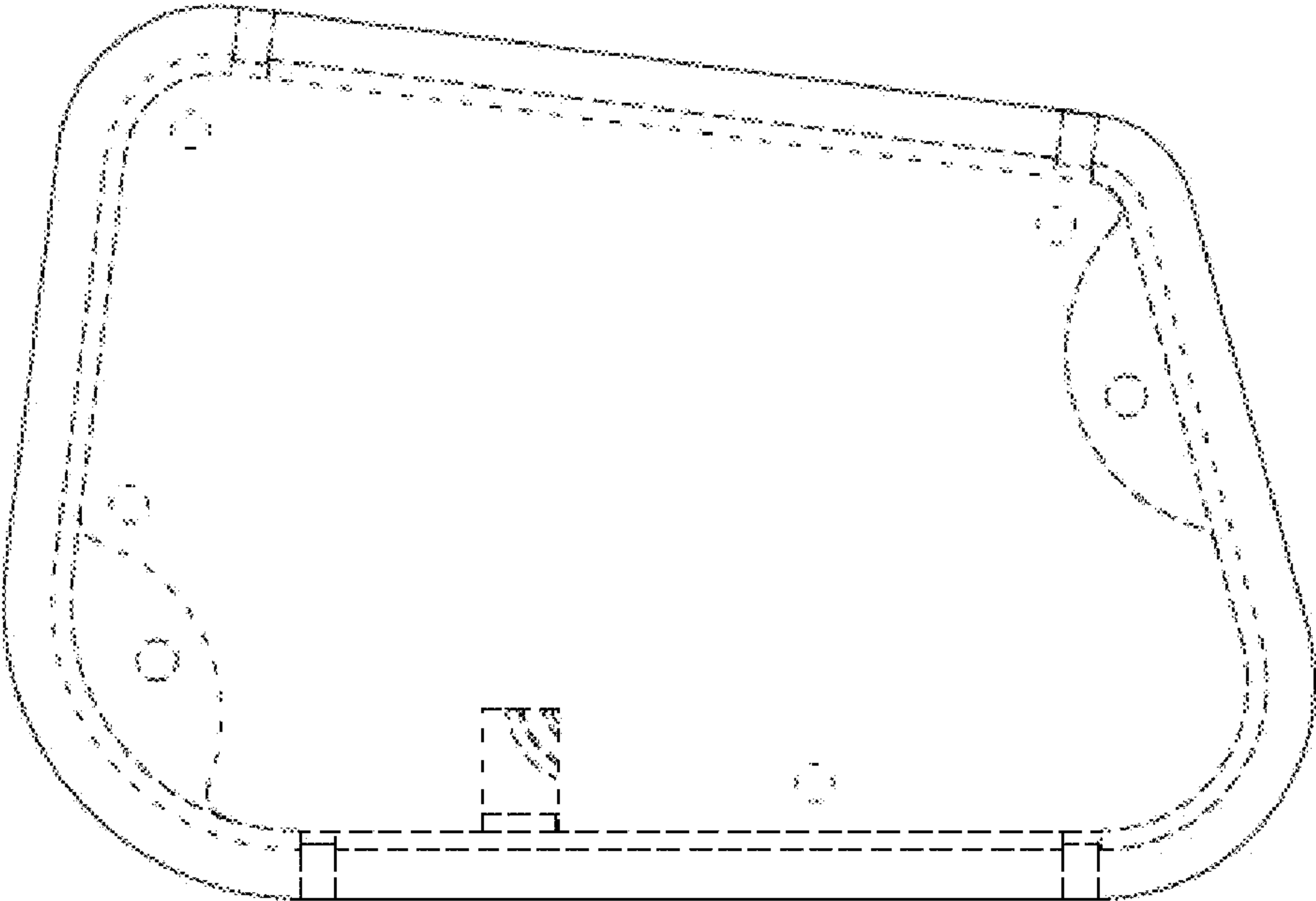




FIG. 8

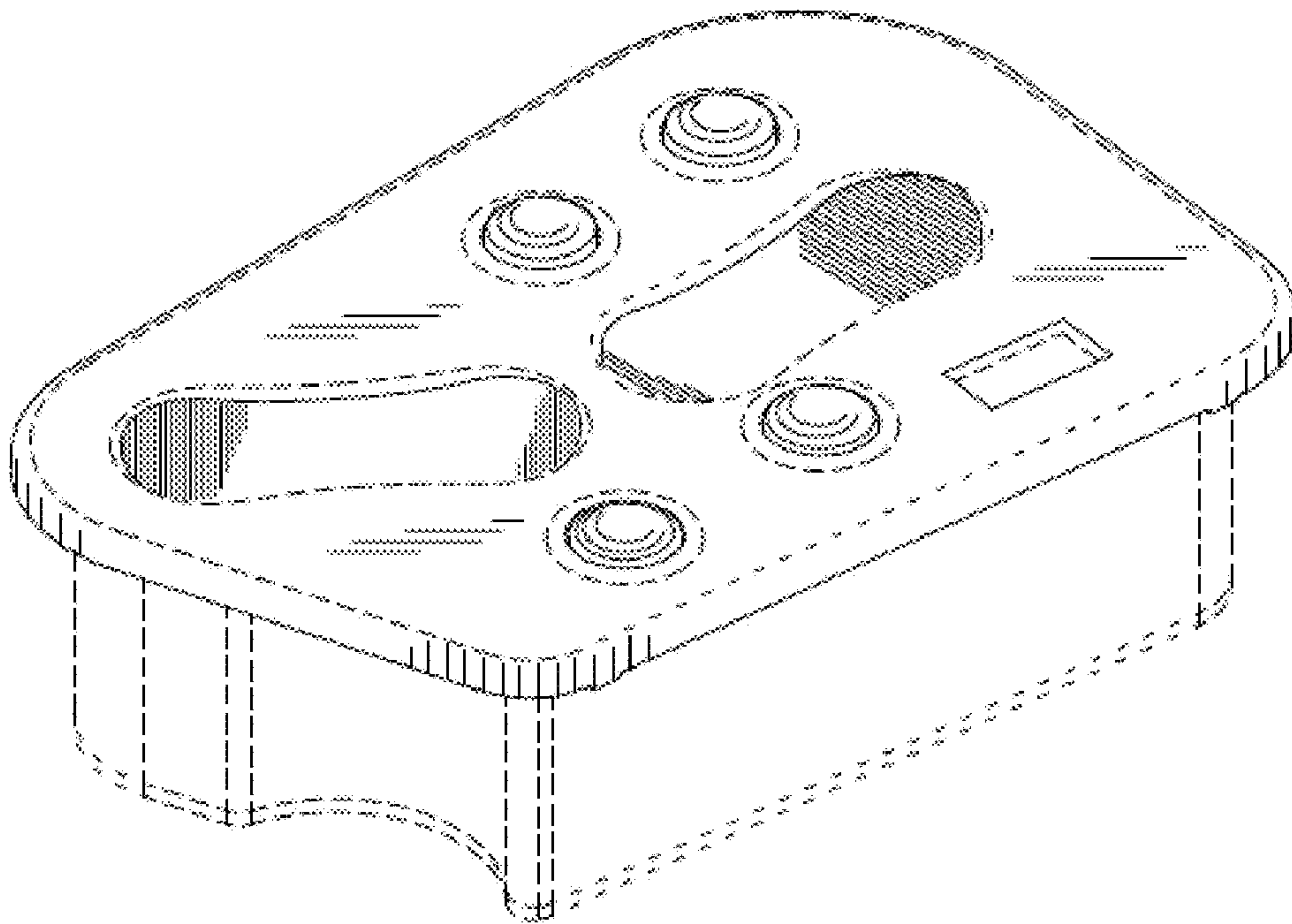


FIG. 9

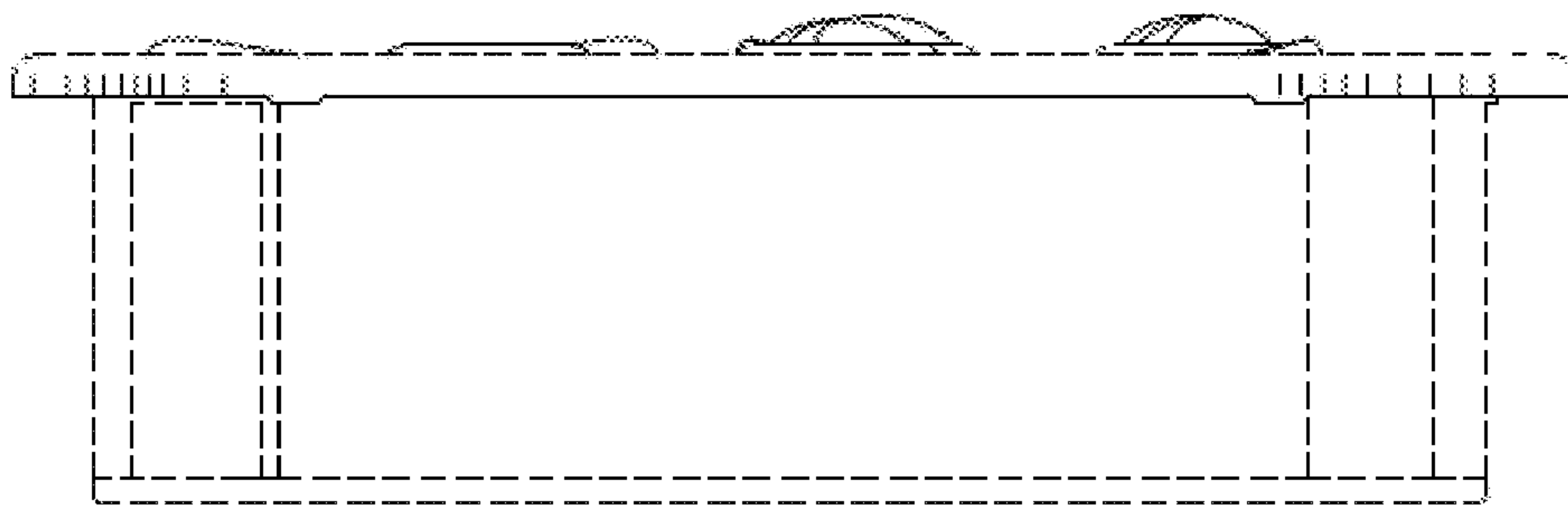


FIG. 10

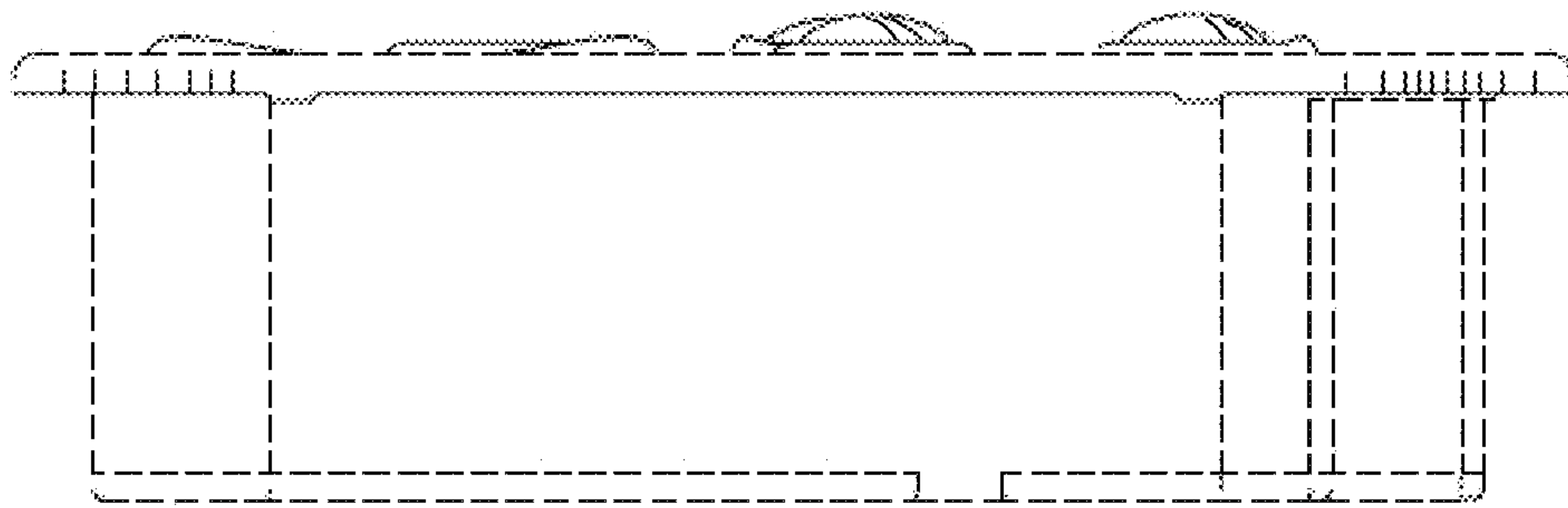


FIG. 11

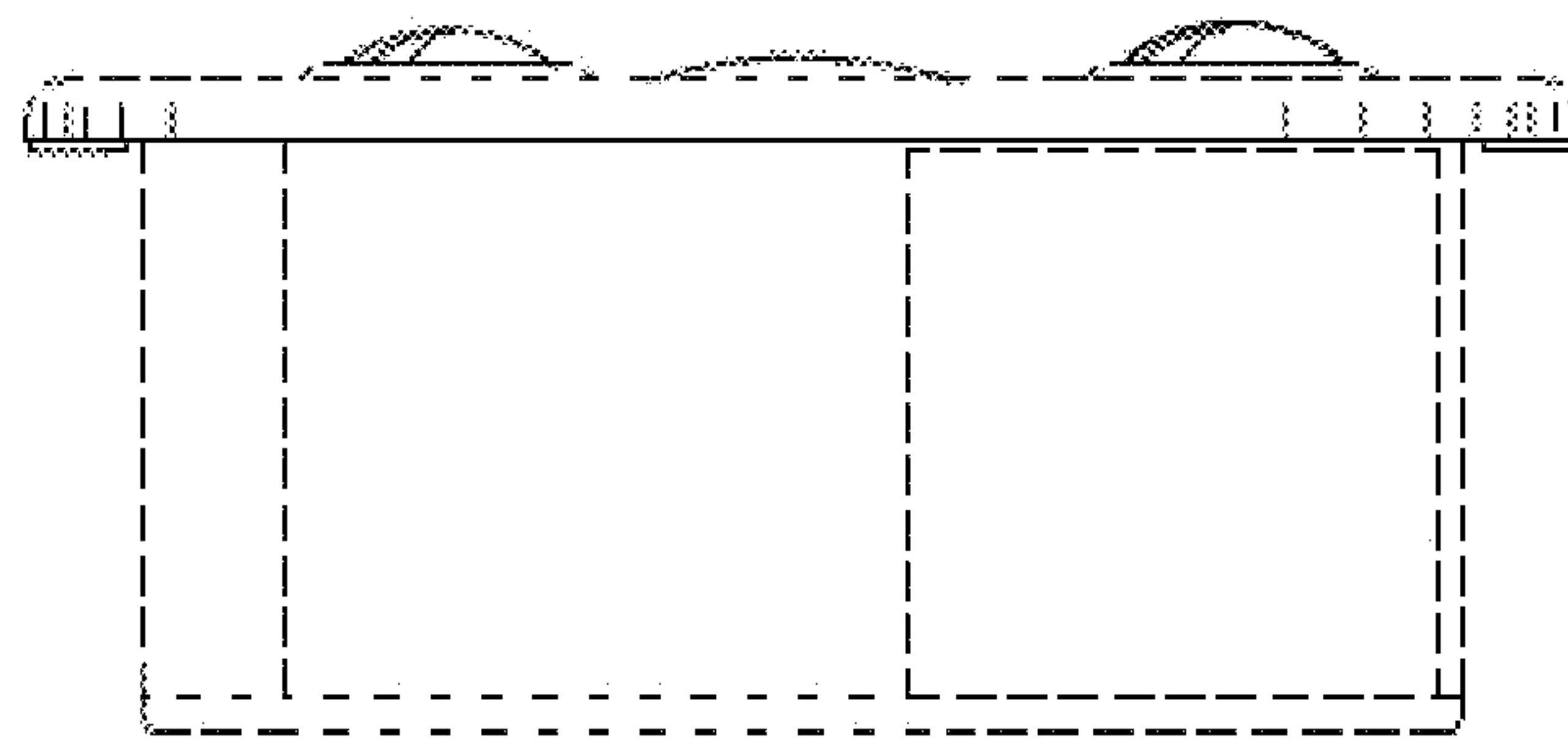


FIG. 12

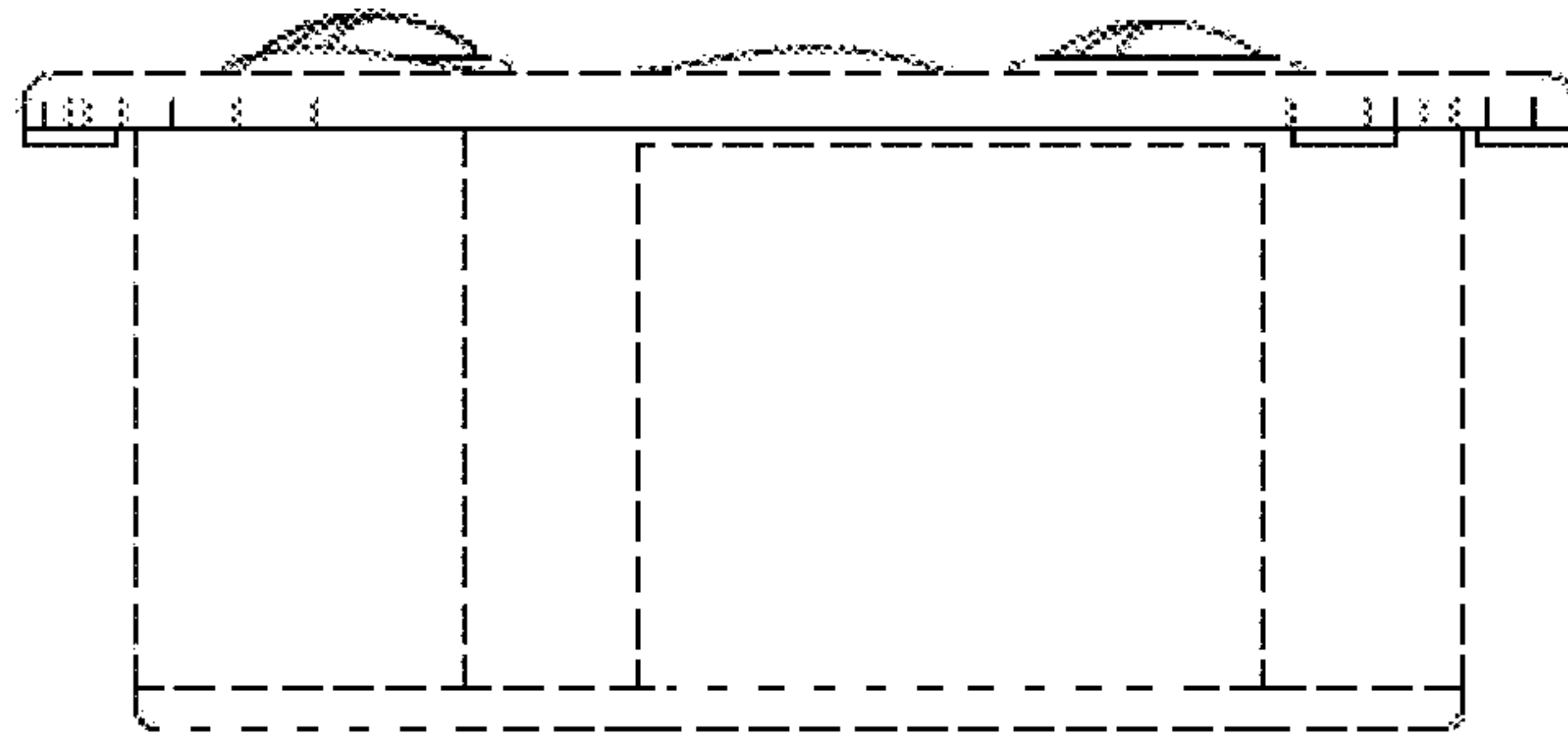


FIG. 13

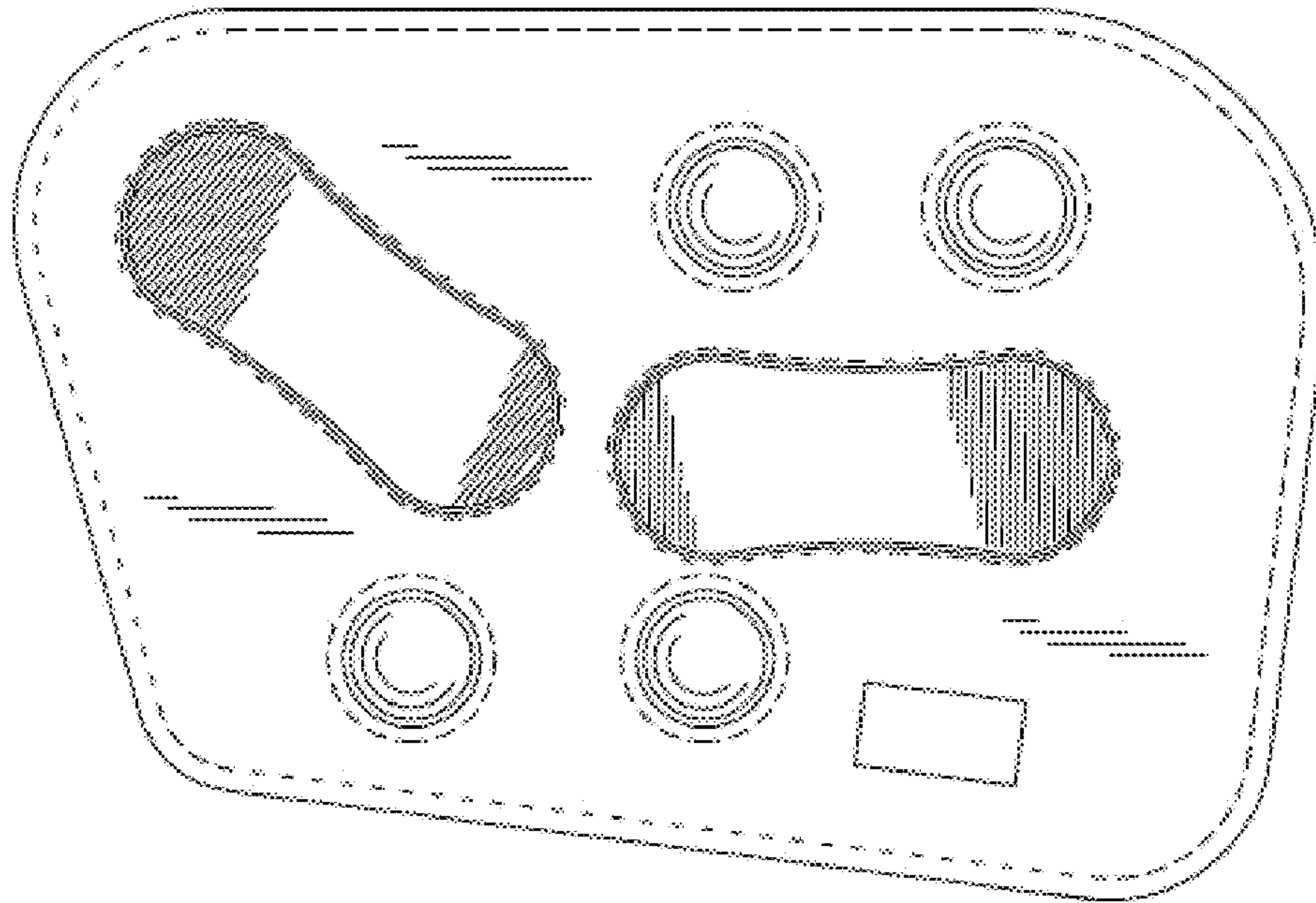


FIG. 14

