



US00D812018S

(12) **United States Design Patent**  
**Boffelli et al.**

(10) **Patent No.:** **US D812,018 S**  
(45) **Date of Patent:** **\*\* Mar. 6, 2018**

(54) **SWITCHING DEVICE WITH FRONT COVER**

(71) Applicant: **ABB Technology AG**, Zurich (CH)

(72) Inventors: **Carlo Boffelli**, Dalmine (IT); **Luciano Chenet**, Torre Boldone (IT); **Marco Riva**, Canonica d'Adda (IT); **Roberto Penzo**, Milan (IT); **Eric Bevilacqua**, Stresa (IT)

(73) Assignee: **ABB TECHNOLOGY AG**, Zurich (CH)

(\*\*) Term: **15 Years**

(21) Appl. No.: **29/584,376**

(22) Filed: **Nov. 14, 2016**

**Related U.S. Application Data**

(62) Division of application No. 29/517,468, filed on Feb. 12, 2015, now Pat. No. Des. 777,116.

(30) **Foreign Application Priority Data**

Sep. 24, 2014 (EM) ..... 002543694

(51) **LOC (11) Cl.** ..... **13-03**

(52) **U.S. Cl.**  
USPC ..... **D13/158**

(58) **Field of Classification Search**

USPC ..... D13/101, 110, 118, 123, 133, 7, 154,  
D13/157-161, 184, 145, 146, 199

CPC ..... H01H 9/00; H01H 9/20; H01H 33/00;  
H01H 33/02; H01H 33/04; H01H 33/66;  
H01H 11/00; H01H 75/00; H01H 71/10;

(Continued)

(56) **References Cited**

**U.S. PATENT DOCUMENTS**

3,603,753 A \* 9/1971 Frink ..... H01H 33/66  
200/50.23

6,545,234 B1 \* 4/2003 Trivette ..... H01H 33/66  
200/50.21

(Continued)

**OTHER PUBLICATIONS**

ABB Catalog: "Medium voltage indoor circuit breakers ANSI/IEC solutions", dated Apr. 2014.

*Primary Examiner* — Thomas Johannes

*Assistant Examiner* — Shawn T Gingrich

(74) *Attorney, Agent, or Firm* — Patterson Intellectual Property Law, P.C.; Mark J. Patterson

(57) **CLAIM**

What is claimed is the ornamental design for a switching device with front cover, as shown and described.

**DESCRIPTION**

FIG. 1 is a front perspective view of a switching device with front cover according to the invention.

FIG. 2 is a rear perspective view of a switching device with front cover according to the invention.

FIG. 3 is a bottom perspective view of a switching device with front cover according to the invention.

FIG. 4 is a front view of a switching device with front cover according to the invention.

FIG. 5 is a left side view of a switching device with front cover according to the invention.

FIG. 6 is a right side view of a switching device with front cover according to the invention.

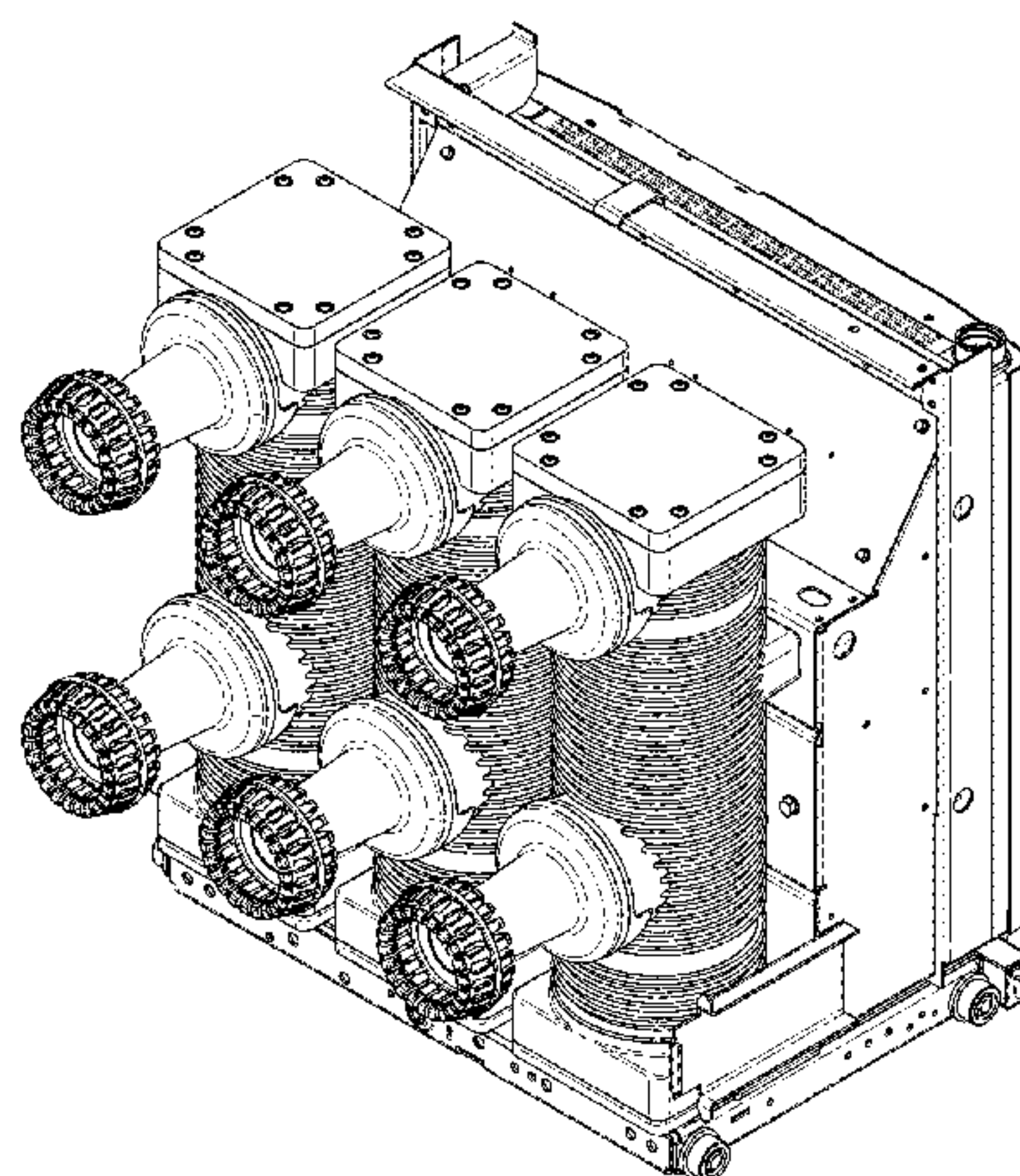
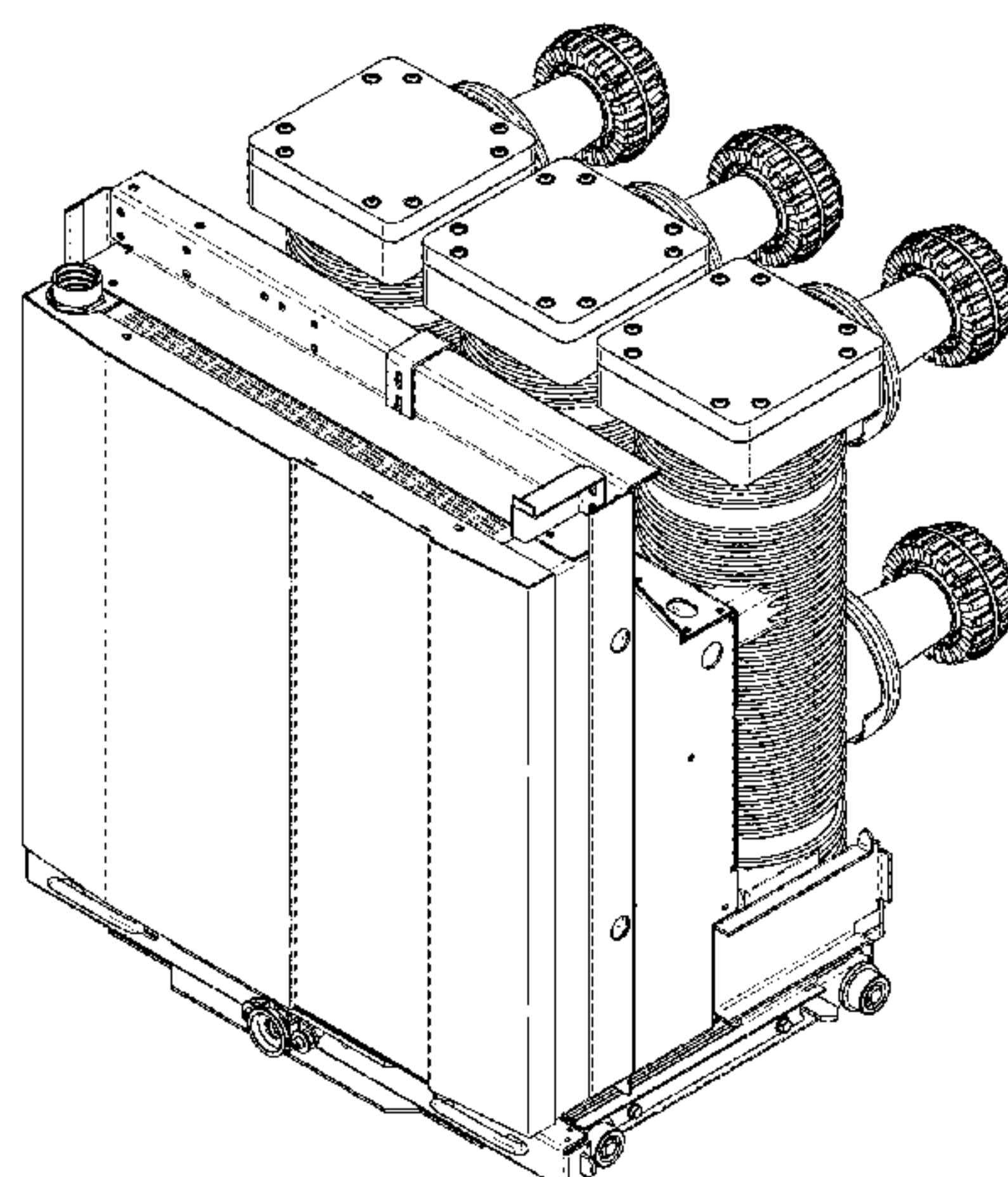
FIG. 7 is a rear view of a switching device with front cover according to the invention.

FIG. 8 is a top view of a switching device with front cover according to the invention; and,

FIG. 9 is a bottom view of a switching device with front cover according to the invention.

The broken line portions of the figure drawings are included to show portions of the article that form no part of the claimed design.

**1 Claim, 9 Drawing Sheets**



(58) **Field of Classification Search**

CPC . H01H 1/38; H02G 3/00; H02G 3/083; H01R  
13/42

See application file for complete search history.

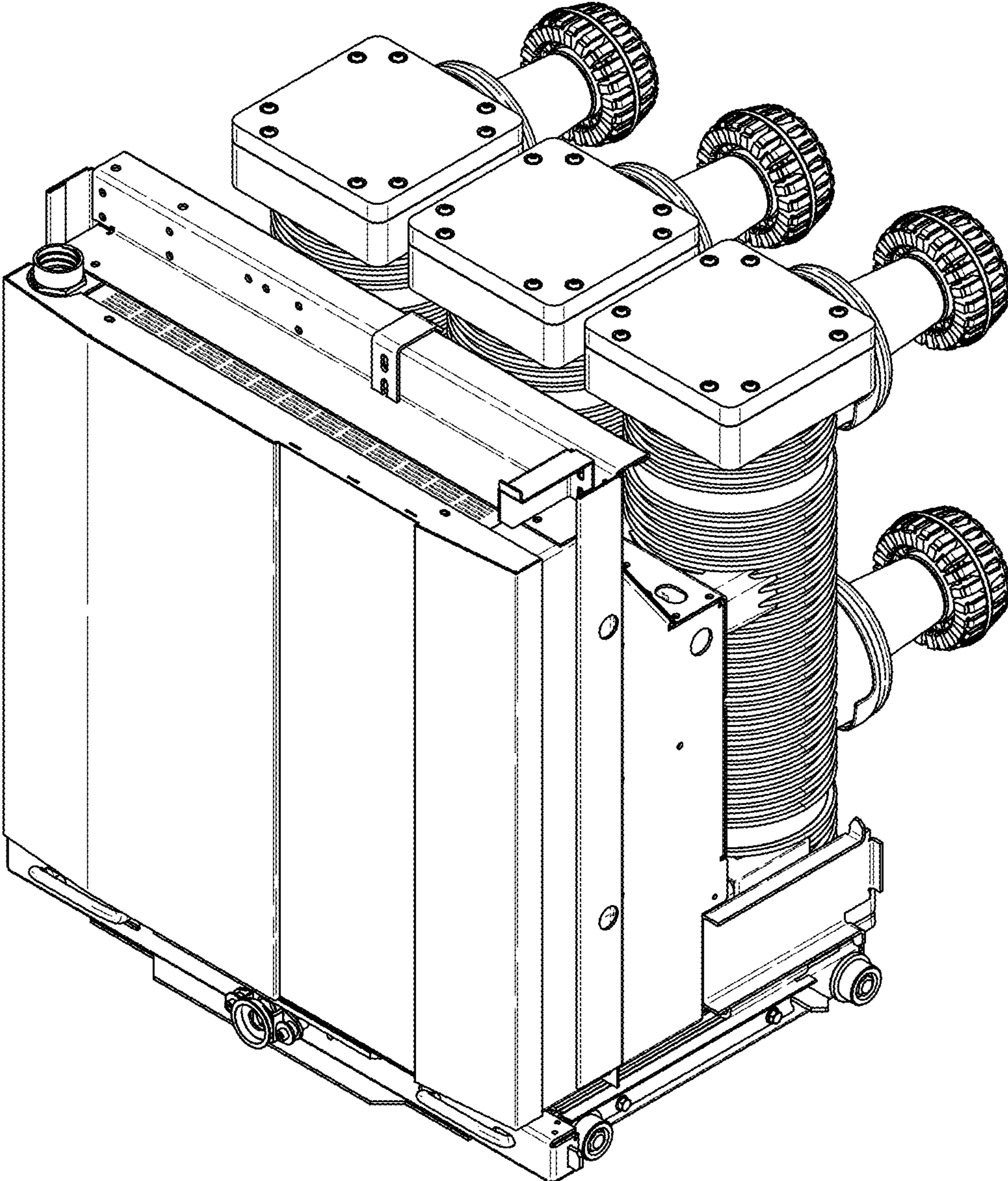
(56) **References Cited**

U.S. PATENT DOCUMENTS

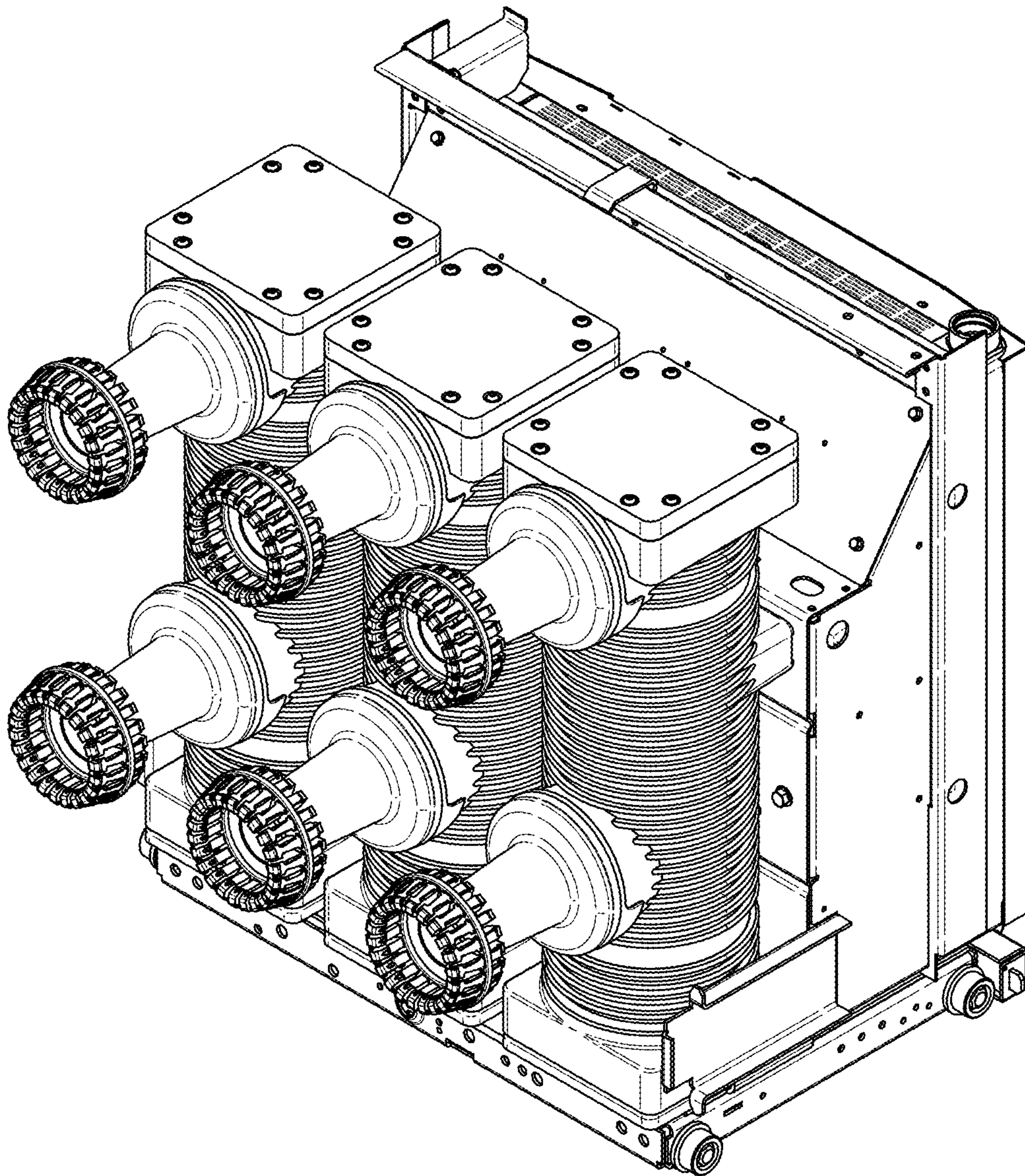
D608,297 S \* 1/2010 Shin ..... D13/160  
D608,298 S \* 1/2010 Shin ..... D13/160  
7,910,852 B2 \* 3/2011 Chen ..... H01H 33/6606  
218/119  
D777,116 S \* 1/2017 Boffelli ..... D13/158  
9,673,595 B2 \* 6/2017 Benke ..... H02B 11/167  
9,704,657 B2 \* 7/2017 Ashtekar ..... H01H 1/0015  
2007/0252667 A1 \* 11/2007 Zhou ..... H01H 3/227  
335/16  
2012/0285806 A1 \* 11/2012 Boffelli ..... H01H 9/542  
200/48 R  
2014/0138357 A1 \* 5/2014 Kasza ..... H01H 11/00  
218/134  
2016/0141136 A1 \* 5/2016 Ashtekar ..... H01H 71/10  
200/50.01  
2016/0268086 A1 \* 9/2016 Jordan ..... H01H 71/10  
2016/0372899 A1 \* 12/2016 Gan ..... H02B 11/127  
2017/0179692 A1 \* 6/2017 Farina ..... H02B 11/10  
2017/0236672 A1 \* 8/2017 Sim ..... H01H 85/0241  
337/4  
2017/0237241 A1 \* 8/2017 Benke ..... H02B 11/167  
200/50.23

\* cited by examiner



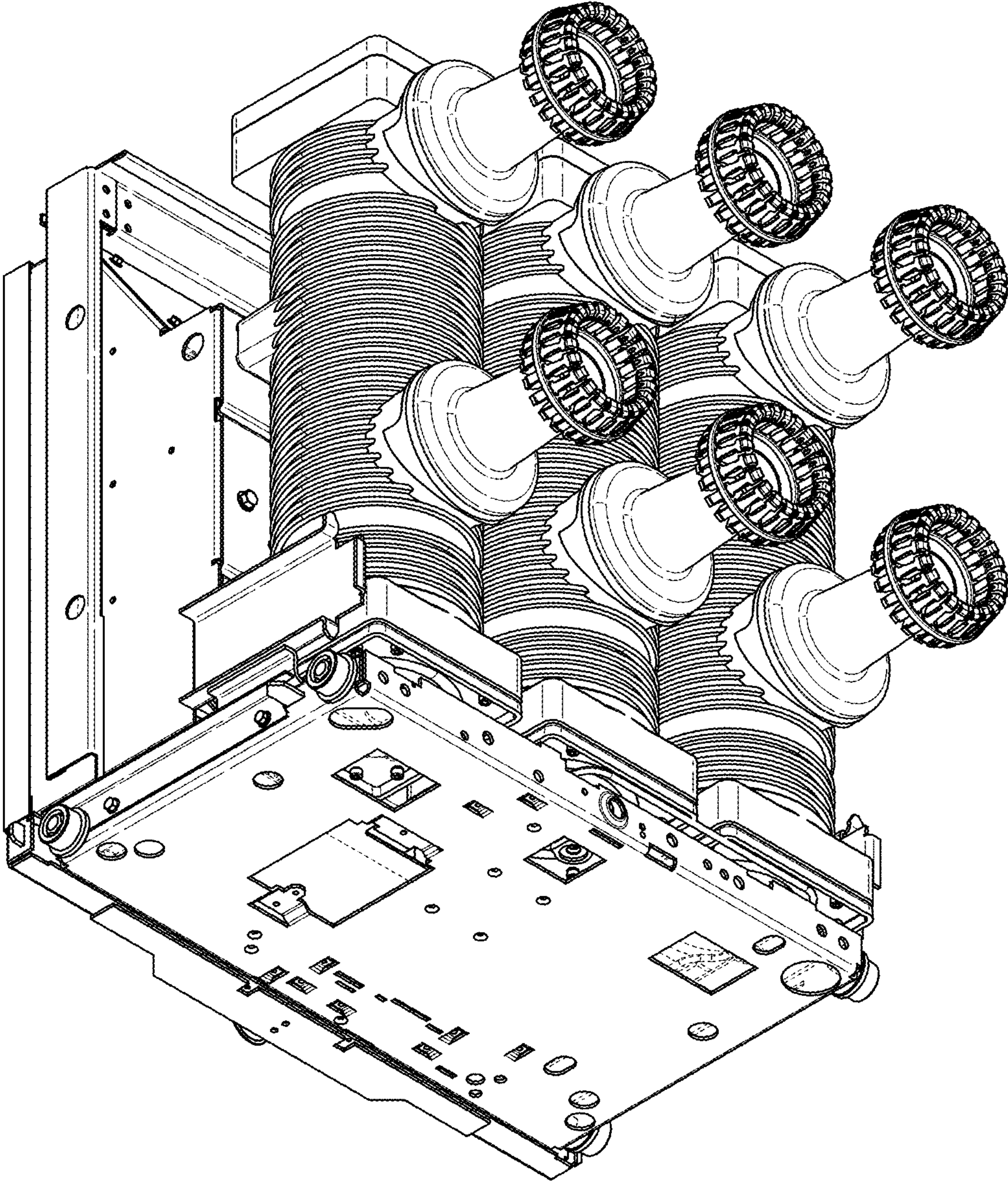


*FIG. 1*

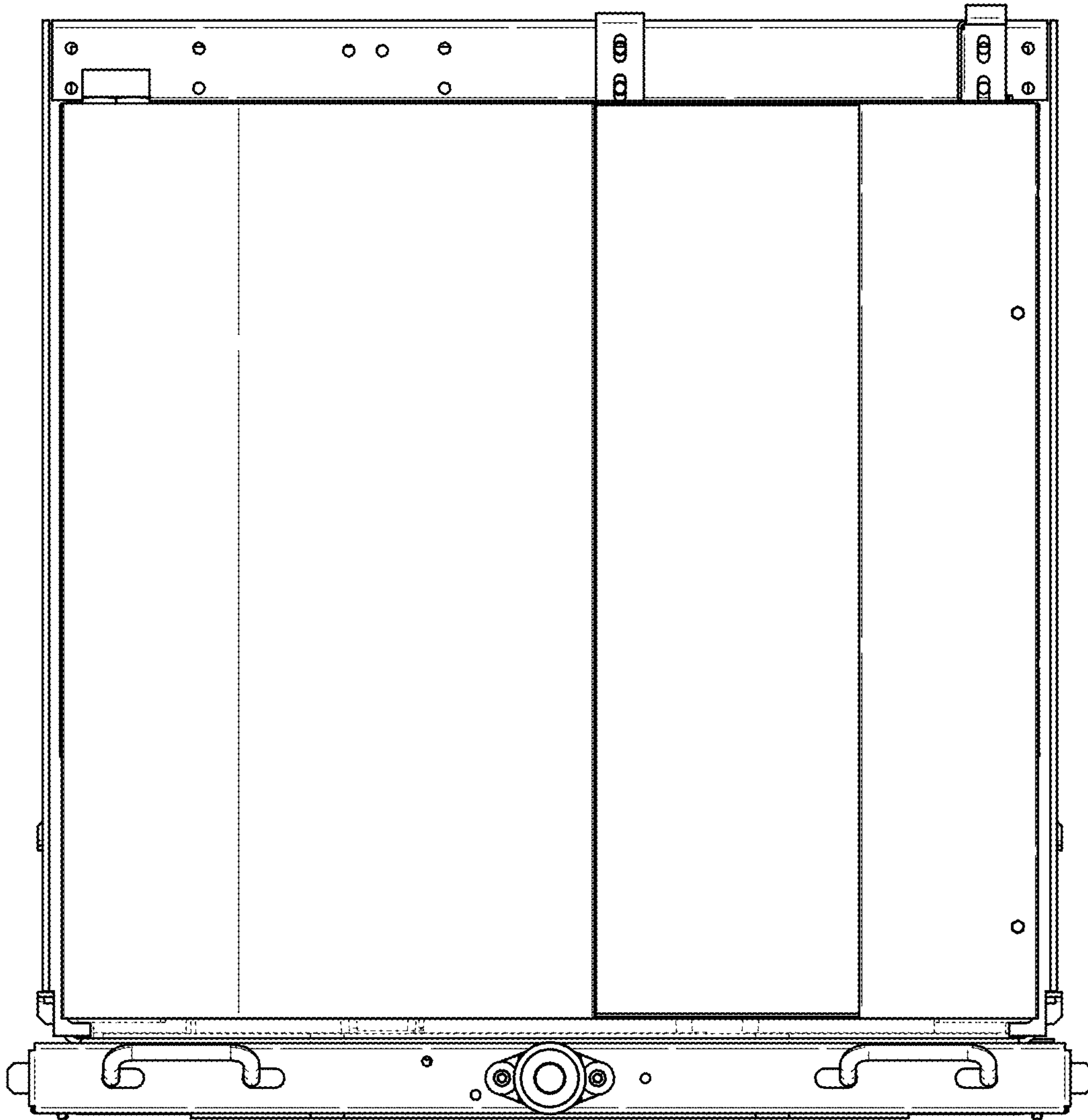


*FIG. 2*

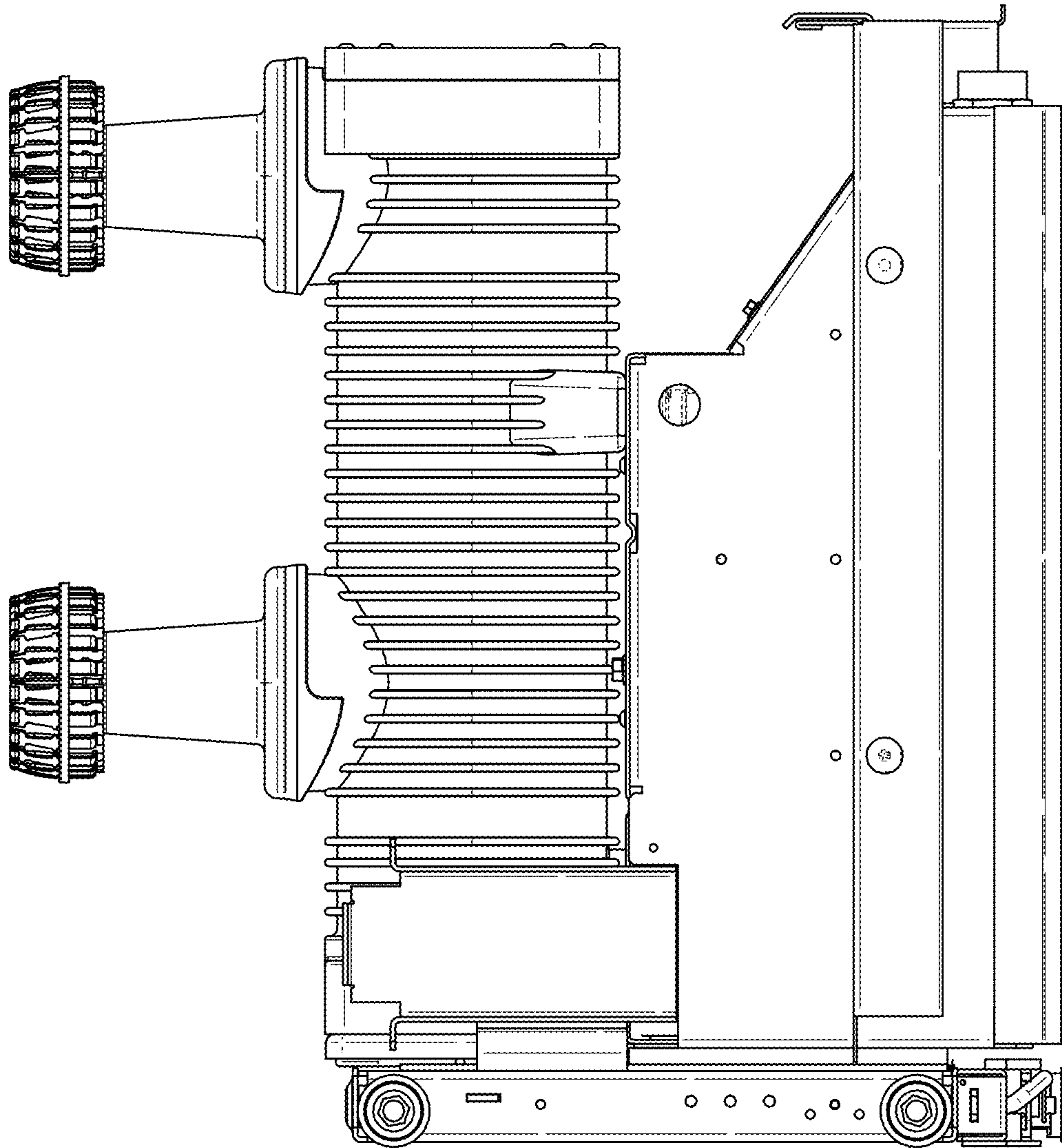




*FIG. 3*

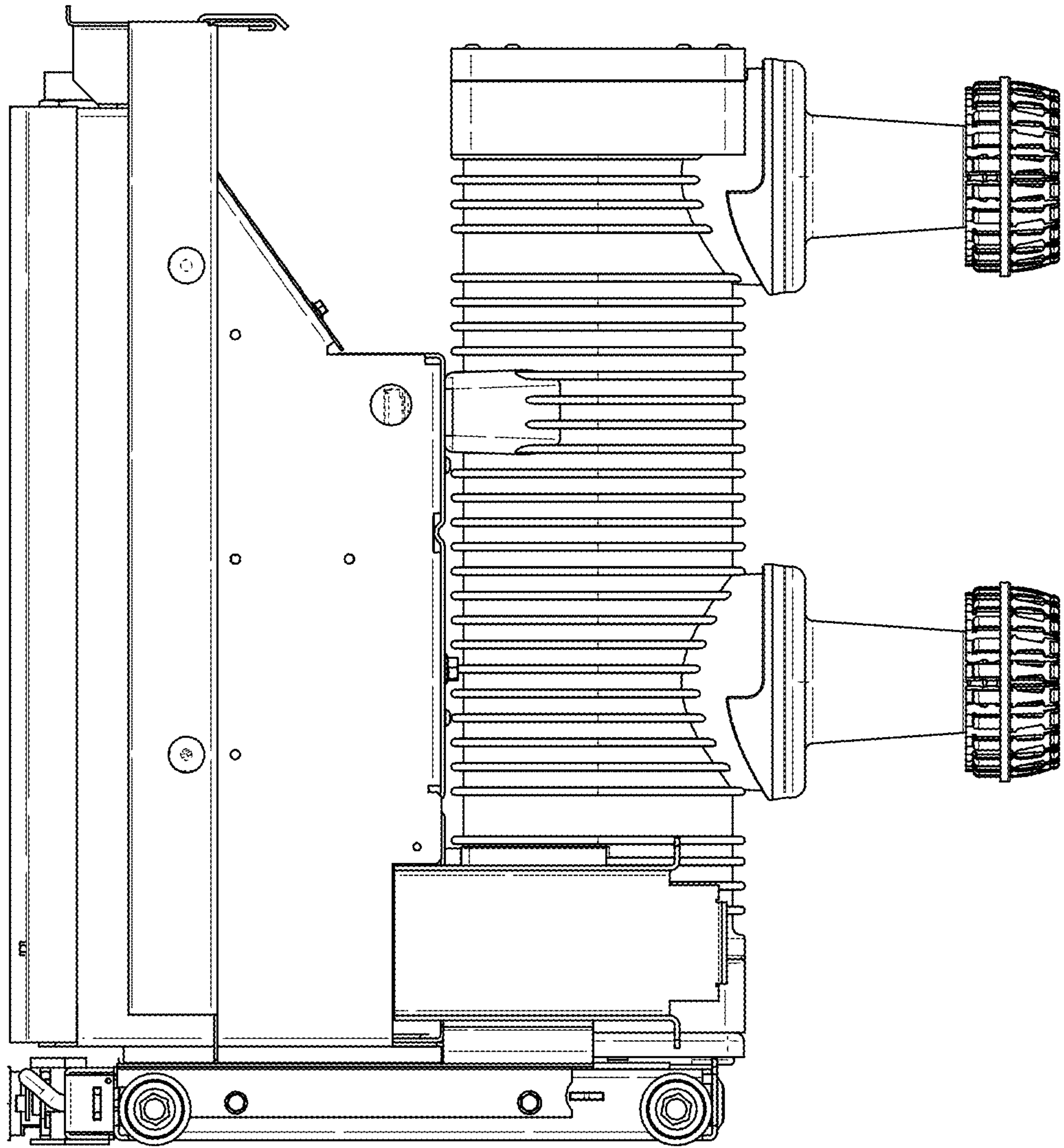


*FIG. 4*



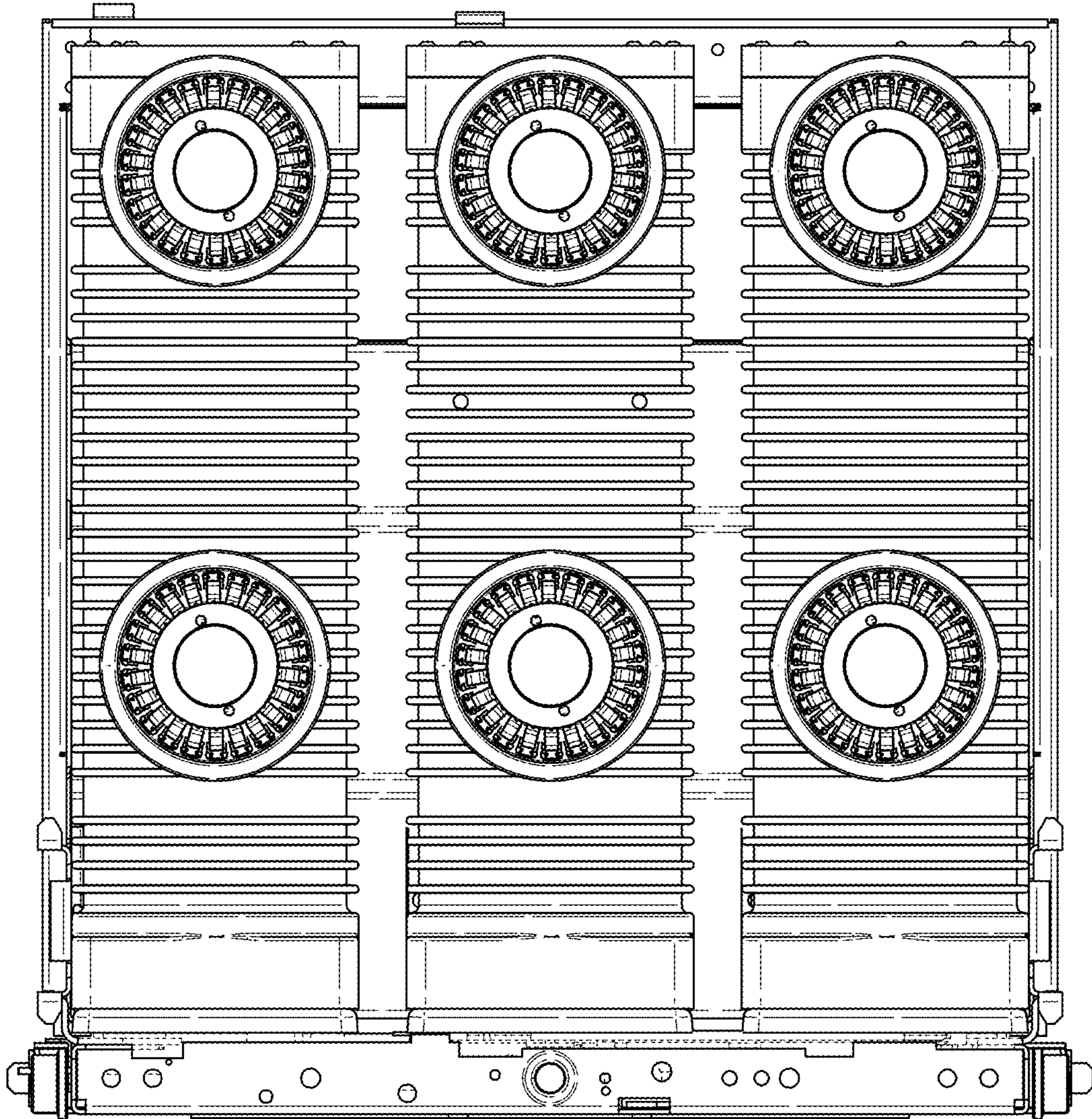
*FIG. 5*



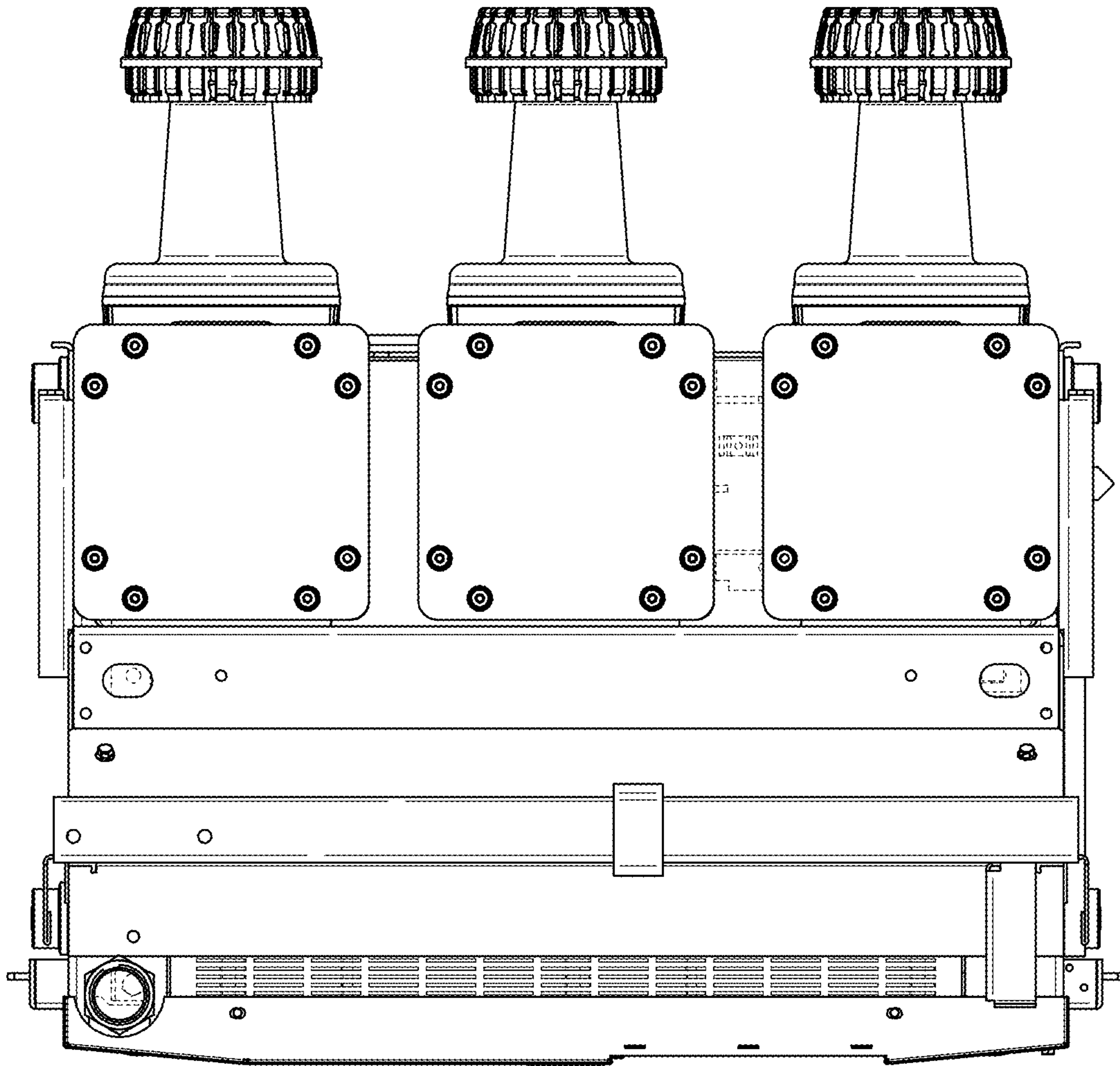


*FIG. 6*



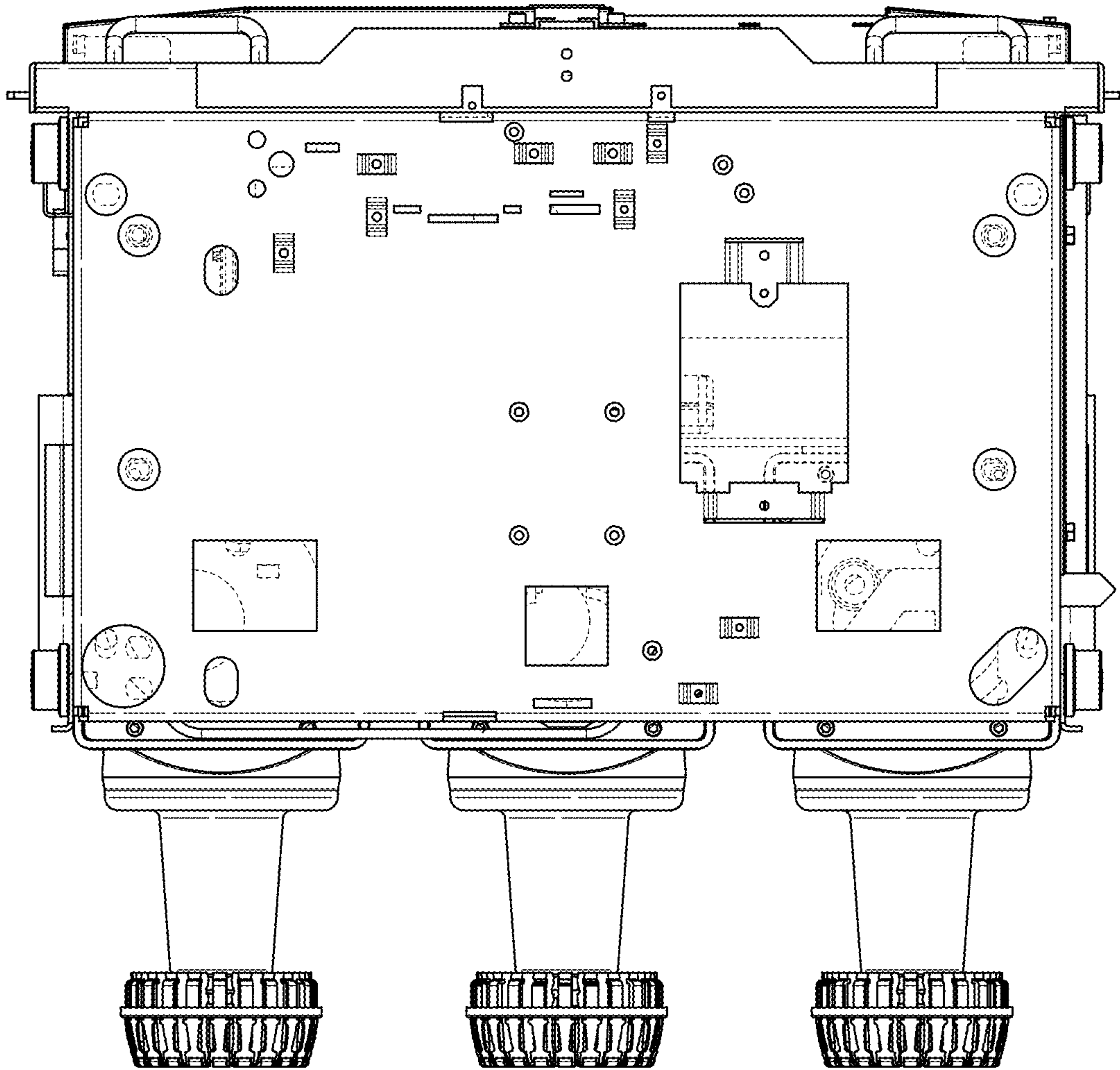


*FIG. 7*



*FIG. 8*





*FIG. 9*