



US00D812017S

(12) **United States Design Patent**  
**Soney**

(10) **Patent No.:** **US D812,017 S**  
(45) **Date of Patent:** **\*\* Mar. 6, 2018**

(54) **REMOTE-CONTROLLED DOOR OPENER MODULE**

(71) Applicant: **Billy B. Soney**, Walpole Island (CA)

(72) Inventor: **Billy B. Soney**, Walpole Island (CA)

(\*\*) Term: **15 Years**

(21) Appl. No.: **29/550,225**

(22) Filed: **Dec. 31, 2015**

**Related U.S. Application Data**

(63) Continuation-in-part of application No. 13/117,830, filed on May 27, 2011, now abandoned.

(51) **LOC (11) Cl.** ..... **13-03**

(52) **U.S. Cl.**  
USPC ..... **D13/158**

(58) **Field of Classification Search**  
USPC ..... D13/158, 168, 173, 199; D8/330, 343; D15/143  
CPC .. E05B 47/00; E05B 47/0001; E05B 47/0012; E05B 47/02; E05B 47/026; E05B 47/06; E05F 15/00; E05F 15/60; E05F 15/63; E05F 15/77  
See application file for complete search history.

(56) **References Cited**

**U.S. PATENT DOCUMENTS**

1,773,124	A	8/1930	Sykes	
2,591,693	A	4/1952	Gatesy	
4,348,835	A	9/1982	Jones et al.	
4,452,292	A	6/1984	Leivenzon et al.	
5,878,530	A	3/1999	Eccleston et al.	
5,881,497	A	3/1999	Borgardt	
5,903,226	A	5/1999	Suman et al.	
5,987,818	A *	11/1999	Dabideen	..... E05B 17/0029 292/144
6,005,306	A	12/1999	Pickard	

6,061,964	A *	5/2000	Arnell	..... E05F 15/77 49/358
6,185,773	B1 *	2/2001	Goedde	..... E05B 47/0012 340/10.1
6,619,085	B1 *	9/2003	Hsieh	..... E05B 47/0012 292/144
6,634,140	B1	10/2003	Sellman	
6,698,263	B2 *	3/2004	Hsieh	..... E05B 47/026 70/107
6,813,916	B2 *	11/2004	Chang	..... E05B 47/0012 292/144
6,956,495	B2	10/2005	Klein et al.	
6,967,587	B2	11/2005	Snell et al.	
7,010,948	B1 *	3/2006	Hsieh	..... E05B 17/2073 292/144
RE39,144	E *	6/2006	Pickard	..... E05B 47/0047 307/116
7,213,369	B2 *	5/2007	Freeman	..... E05F 15/77 49/358

(Continued)

*Primary Examiner* — Selina Sikder

(74) *Attorney, Agent, or Firm* — Robert C. Montgomery; Montgomery Patent & Design, L.P.

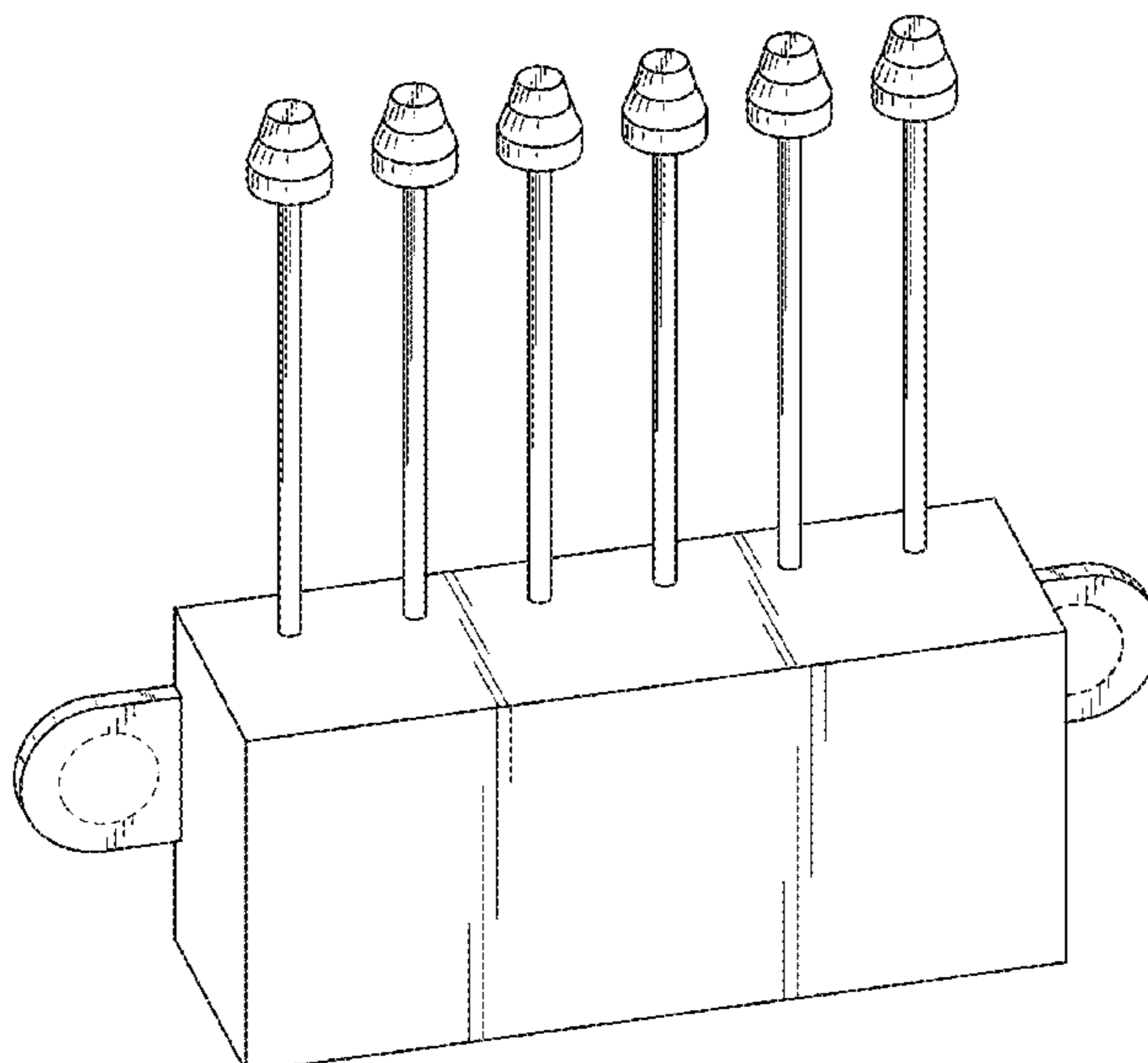
(57) **CLAIM**

The ornamental design for a remote-controlled door opener module, as shown and described.

**DESCRIPTION**

FIG. 1 is a perspective top view of a remote-controlled door opener module, showing my new design; FIG. 2 is a front side elevation view thereof; FIG. 3 is a rear side elevation view thereof; FIG. 4 is left side elevation view with the right side elevation view being a mirror image thereof; FIG. 5 is a top side plan view thereof; and, FIG. 6 is a bottom side plan view thereof. The broken lines indicate boundary areas and form no part of the claimed design.

**1 Claim, 6 Drawing Sheets**



(56)

**References Cited**

U.S. PATENT DOCUMENTS

8,764,071 B2 \* 7/2014 Lanigan ..... E05B 47/0046  
292/251.5  
D737,219 S \* 8/2015 Mangold ..... D13/158  
2002/0121974 A1 \* 9/2002 Ohara ..... E05B 47/0012  
340/542  
2002/0183008 A1 12/2002 Menard et al.  
2004/0187532 A1 \* 9/2004 Hsieh ..... E05B 47/0012  
70/256  
2005/0150324 A1 \* 7/2005 Brieseck ..... E05F 15/603  
74/606 R  
2007/0227204 A1 \* 10/2007 Shoenfeld ..... A61B 50/10  
70/101  
2008/0011032 A1 \* 1/2008 Groff ..... E05B 47/0012  
70/257  
2008/0258476 A1 \* 10/2008 Simpson ..... E05B 47/023  
292/194  
2009/0229328 A1 \* 9/2009 Wu ..... E05B 47/0012  
70/277  
2012/0023824 A1 \* 2/2012 Mason ..... E05F 1/1066  
49/29  
2016/0123066 A1 \* 5/2016 Barkau ..... E05F 15/73  
220/211

\* cited by examiner

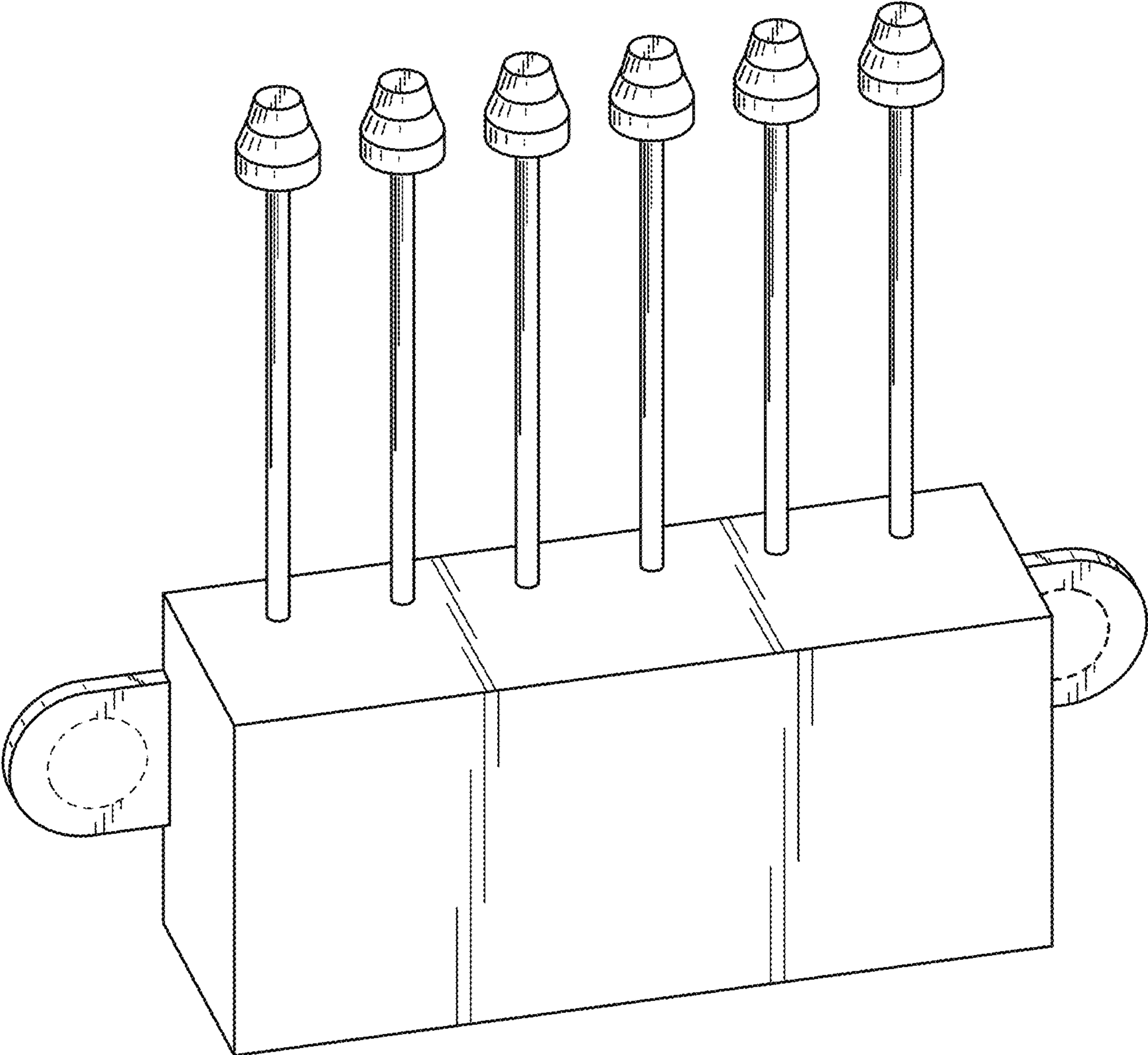


FIG. 1

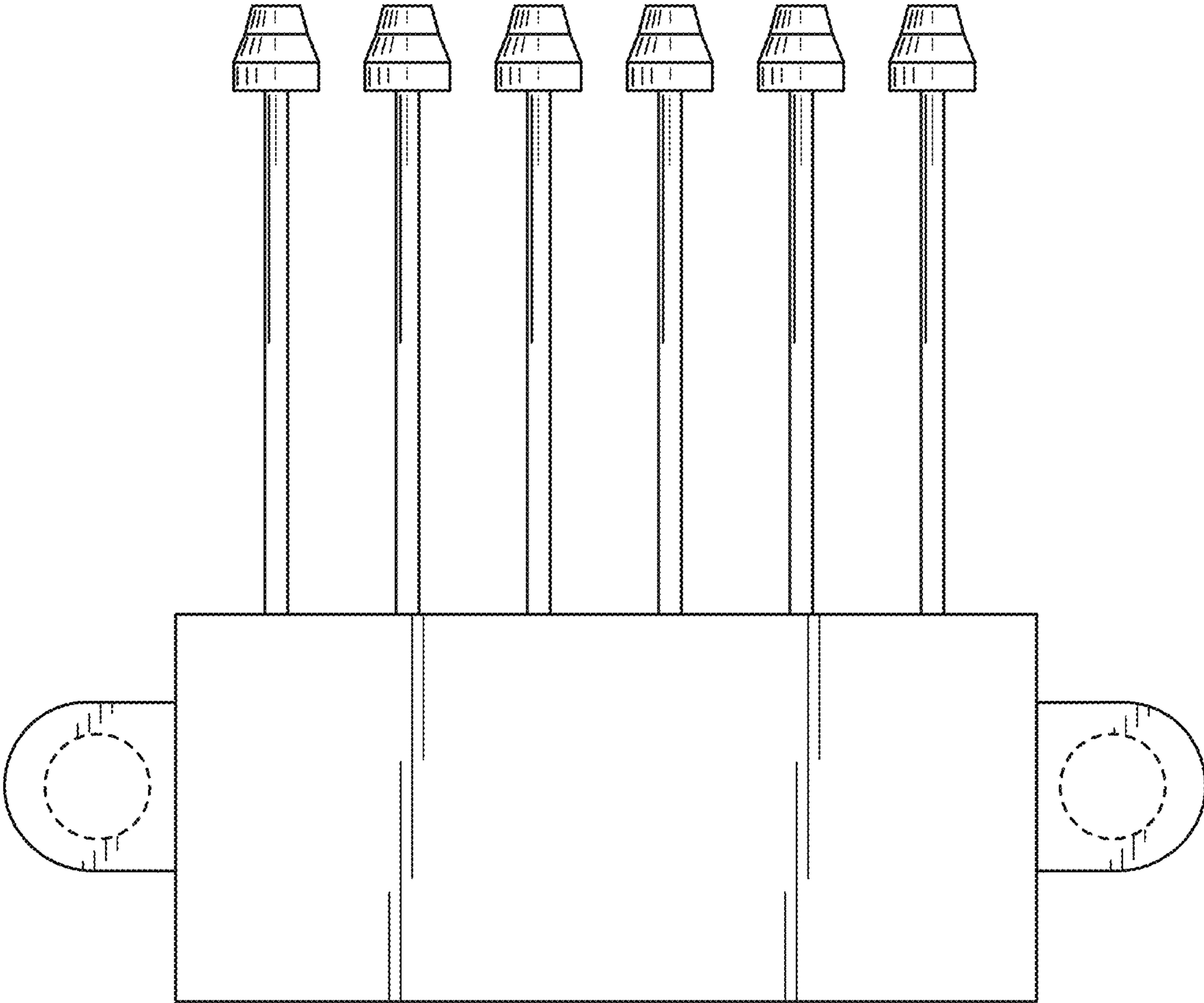


FIG. 2

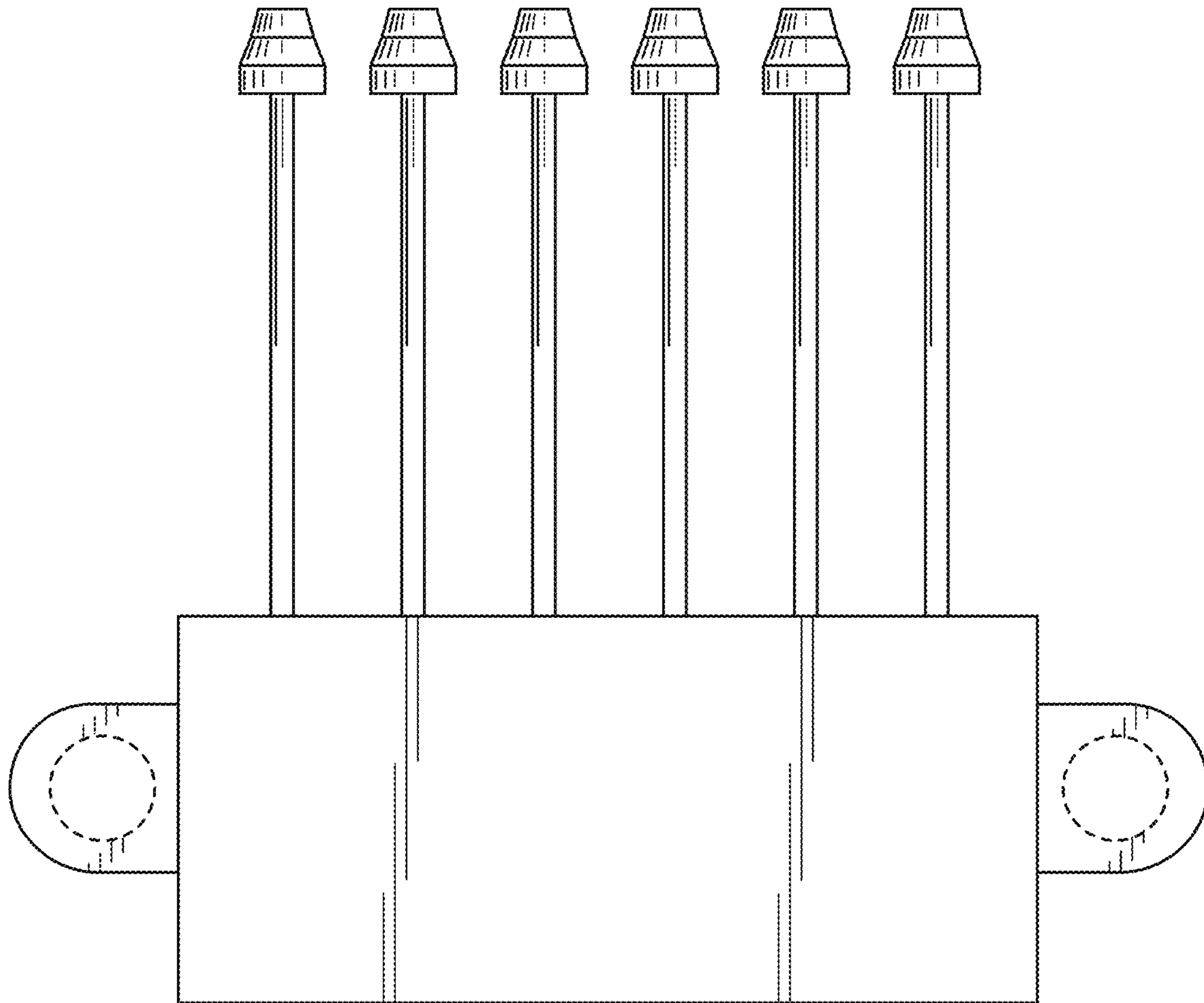


FIG. 3

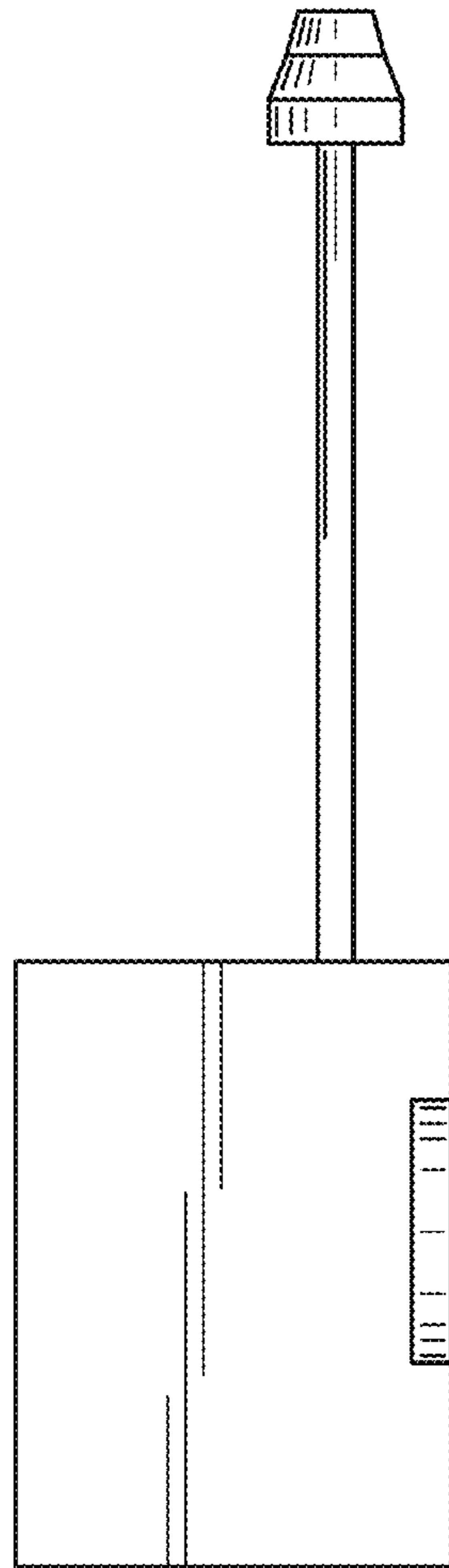


FIG. 4

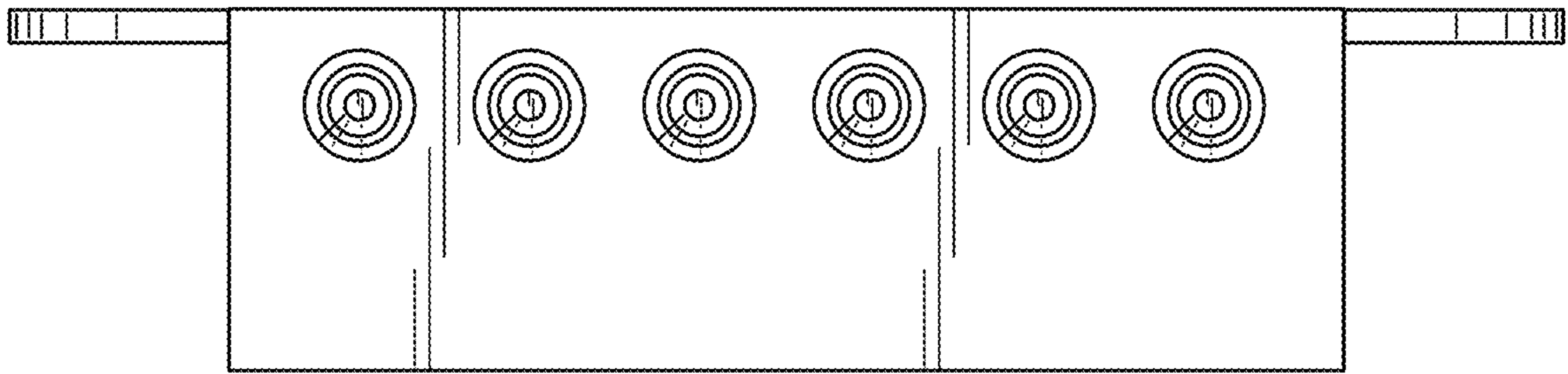


FIG. 5

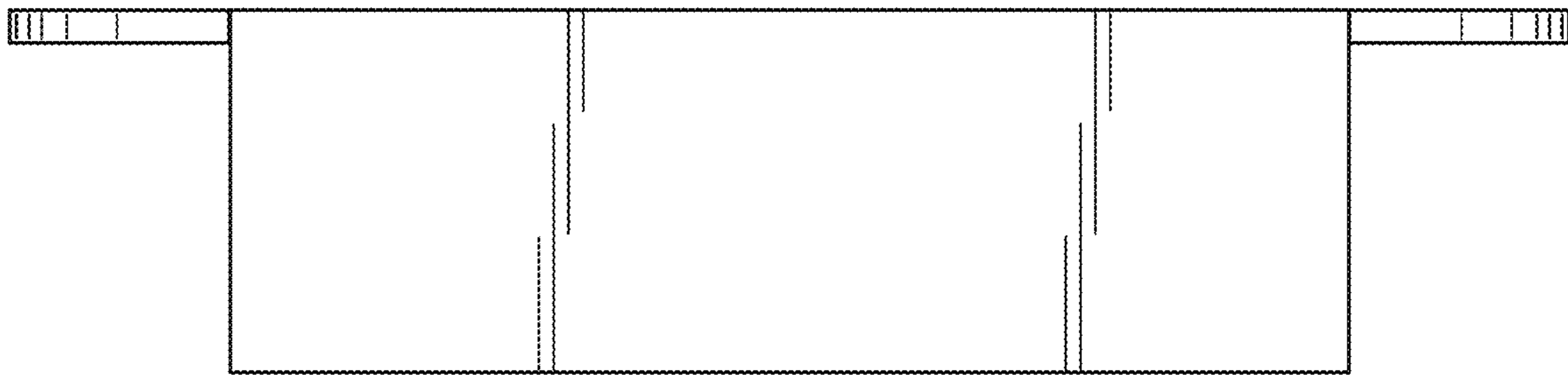


FIG. 6