



US00D812015S

(12) **United States Design Patent**
Ryder

(10) **Patent No.:** **US D812,015 S**
(45) **Date of Patent:** **** Mar. 6, 2018**

- (54) **EXTENSION CORD CONNECTOR LOCK**
- (71) Applicant: **Frederick E. Ryder**, Waddell, AZ (US)
- (72) Inventor: **Frederick E. Ryder**, Waddell, AZ (US)
- (**) Term: **15 Years**
- (21) Appl. No.: **29/579,536**
- (22) Filed: **Sep. 30, 2016**
- (51) **LOC (11) Cl.** **13-03**
- (52) **U.S. Cl.**
USPC **D13/154**
- (58) **Field of Classification Search**
USPC D13/108–110, 133, 137.1–137.4,
D13/138.1–138.2, 139.1–139.8, 152–154,
D13/156, 173, 177, 151, 146, 147, 107;
D14/433, 435.1, 432; D8/350–353, 331,
D8/396, 398, 399, 382, 383, 387, 393,
D8/343
CPC H01R 25/00; H01R 25/006; H01R 25/003;
H01R 9/00; H01R 11/00; H01R 13/46;
H01R 13/62; H01R 13/639; H01R
13/6392; H02J 2007/0062; H02G 3/14
See application file for complete search history.

(56) **References Cited**

U.S. PATENT DOCUMENTS

| | | | | |
|-----------|-----|---------|------------|---------|
| 2,461,427 | A | 2/1942 | Kneebone | |
| 2,720,633 | A | 10/1955 | Westberg | |
| 2,721,313 | A | 10/1955 | English | |
| 3,475,716 | A | 10/1969 | Laig | |
| 4,145,105 | A | 3/1979 | Dobson | |
| 4,440,465 | A | 4/1984 | Elliott | |
| 4,664,463 | A | 5/1987 | Carmo | |
| 4,832,618 | A | 5/1989 | Gunderson | |
| D326,085 | S * | 5/1992 | Takenouchi | D13/154 |
| D337,309 | S * | 7/1993 | Mally | D13/154 |
| D363,212 | S * | 10/1995 | Hill | D8/356 |
| D378,439 | S * | 3/1997 | Gary | D21/840 |
| 5,876,234 | A | 3/1999 | Hester | |

| | | | | |
|-----------|-----|---------|--------------|--------|
| 6,375,231 | B1 | 4/2002 | Picha et al. | |
| 6,896,537 | B2 | 5/2005 | Burton | |
| 6,948,963 | B2 | 8/2005 | Burton | |
| 7,052,303 | B2 | 5/2006 | Burton | |
| 7,081,004 | B1 | 7/2006 | Puzio | |
| 7,140,902 | B2 | 11/2006 | Burton | |
| D537,333 | S * | 2/2007 | Jowsey | D8/396 |
| 7,175,463 | B2 | 2/2007 | Burton | |
| 7,431,606 | B2 | 10/2008 | Hartrick | |
| D588,447 | S * | 3/2009 | Wakabayashi | D8/394 |
| D624,811 | S * | 10/2010 | Wakabayashi | D8/396 |
| D634,187 | S * | 3/2011 | Kozel | D8/396 |

(Continued)

Primary Examiner — Rosemary K Tarcza
Assistant Examiner — Christy Nemeth
(74) *Attorney, Agent, or Firm* — Mark V. Loen

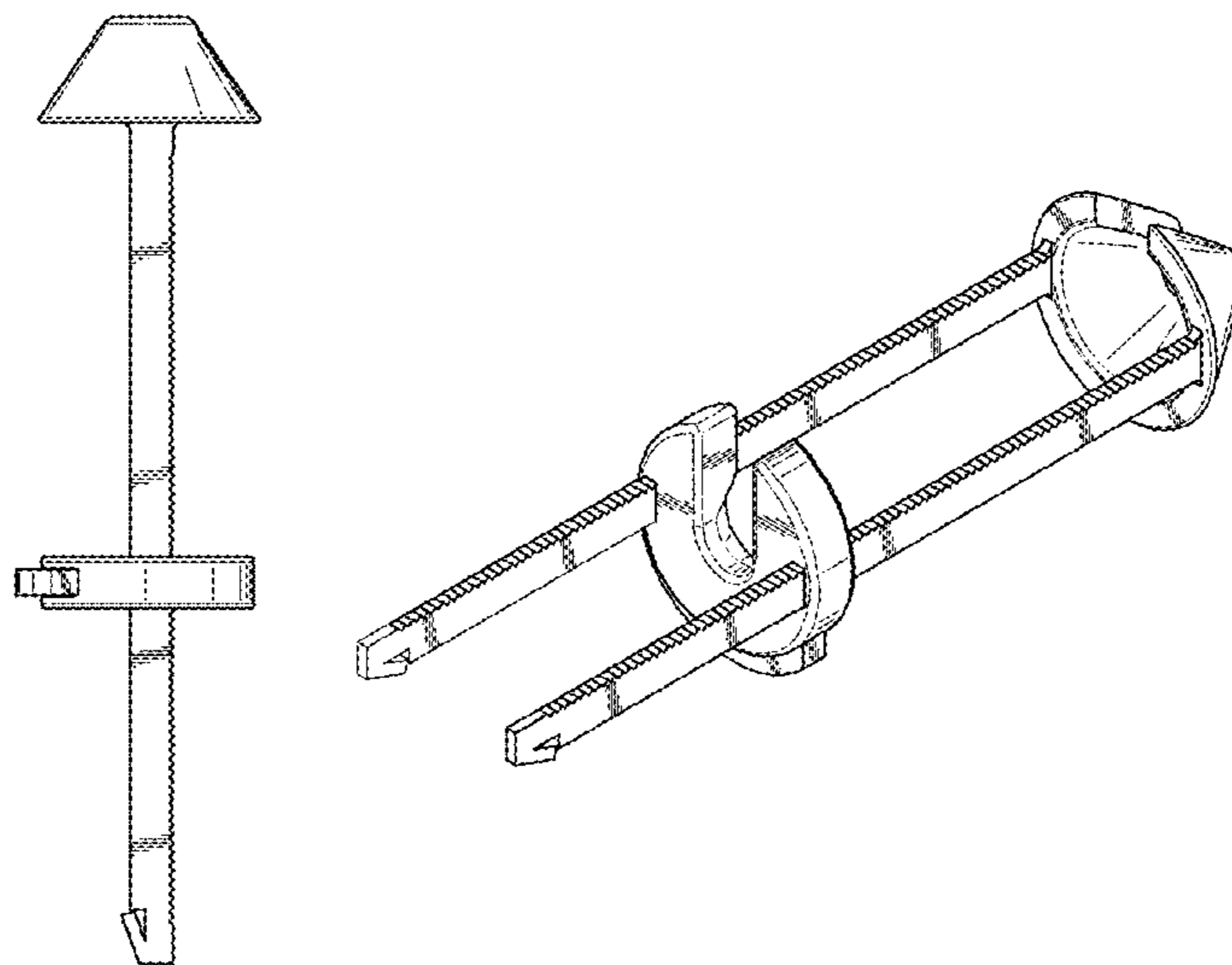
(57) **CLAIM**

The ornamental design for an extension cord connector lock, as shown and described.

DESCRIPTION

FIG. 1 is a front view of an extension cord connector lock of my new design;
 FIG. 2 is a left side view thereof, the right side view being a mirror image;
 FIG. 3 is a rear view thereof;
 FIG. 4 is a top view thereof;
 FIG. 5 is a bottom view thereof;
 FIG. 6 is a bottom, right side isometric view thereof;
 FIG. 7 is a second bottom, right side isometric view thereof, shown with the extension cord connector lock in a state of use; and,
 FIG. 8 is a third bottom, right side isometric view thereof, shown with the extension cord connector lock in an open position.
 The broken lines shown in FIG. 7 are for the purpose of illustrating environmental subject matter that forms no part of the claimed design.

1 Claim, 5 Drawing Sheets



(56)

References Cited

U.S. PATENT DOCUMENTS

| | | | | |
|--------------|------|---------|-----------------|------------------------|
| 9,048,595 | B2 | 6/2015 | Burton | |
| 9,077,111 | B2 | 7/2015 | Brown | |
| D755,727 | S | 5/2016 | Estes | |
| D756,203 | S * | 5/2016 | Kelleghan | D8/356 |
| D770,598 | S * | 11/2016 | Steele | D23/262 |
| D774,386 | S * | 12/2016 | Brown | D8/399 |
| D789,778 | S * | 6/2017 | White, Sr. | D26/138 |
| 2004/0137776 | A1 | 7/2004 | Burton | |
| 2004/0147157 | A1 | 7/2004 | Burton | |
| 2005/0075003 | A1 | 4/2005 | Hartrich | |
| 2005/0186828 | A1 | 8/2005 | Burton | |
| 2005/0255738 | A1 | 11/2005 | Burton | |
| 2006/0205261 | A1 | 9/2006 | Burton | |
| 2009/0280671 | A1 | 11/2009 | Kierstead | |
| 2010/0306967 | A1 * | 12/2010 | Geiger | B65D 63/14 24/16 PB |
| 2015/0263475 | A1 * | 9/2015 | Small | H01R 43/26 29/407.1 |

* cited by examiner

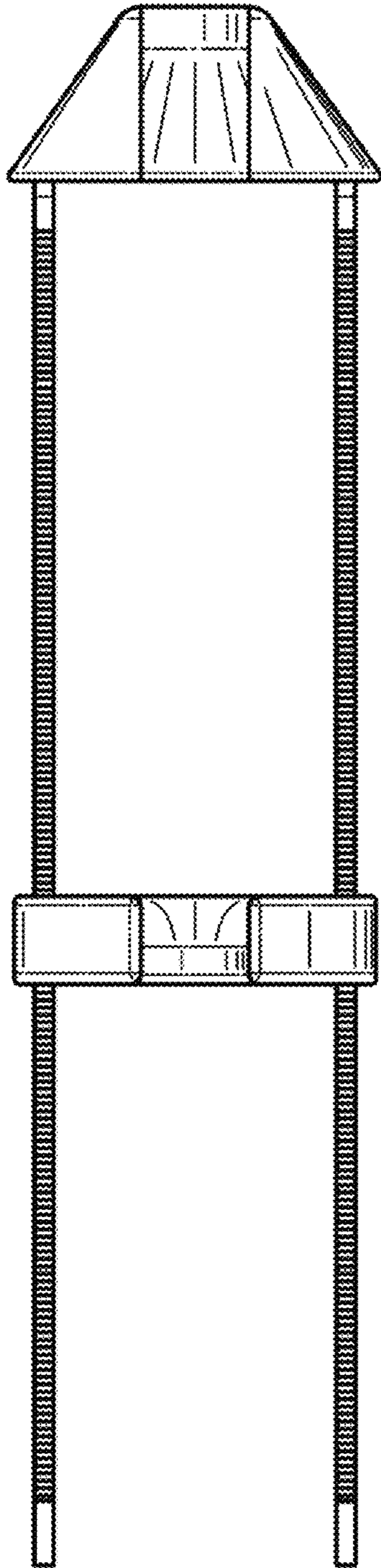


FIG. 1

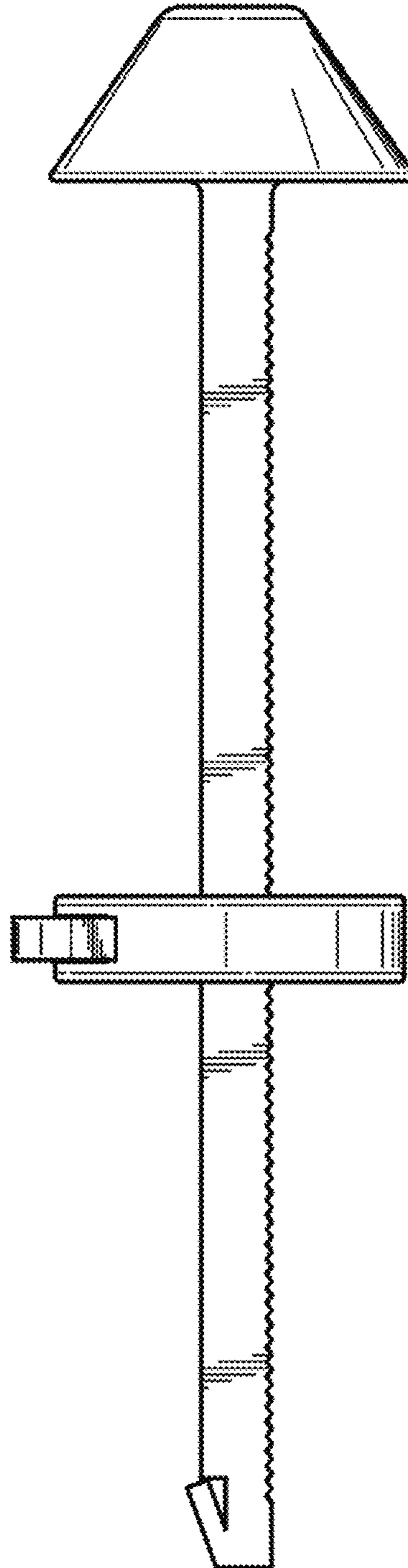


FIG. 2

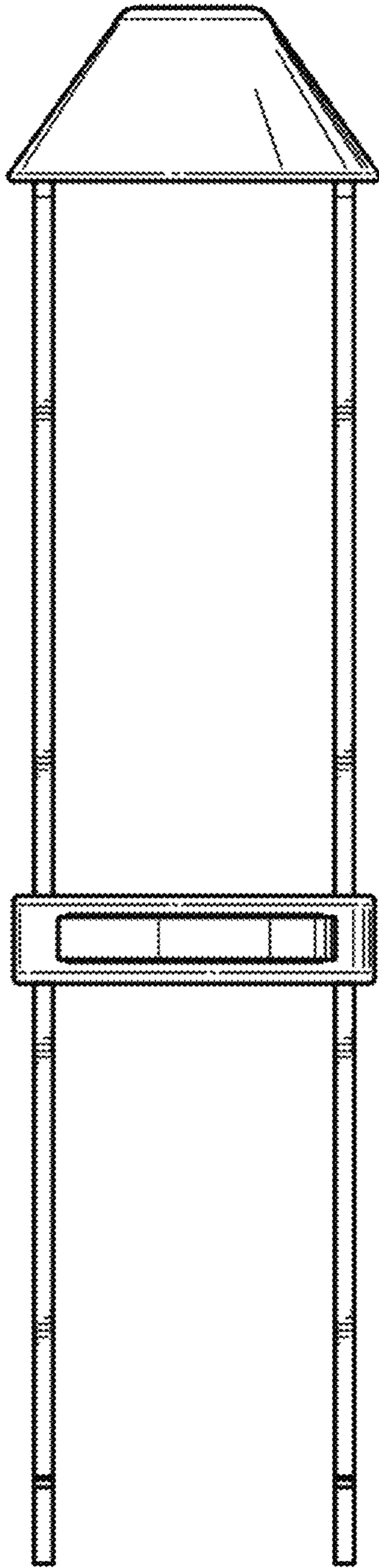


FIG. 3

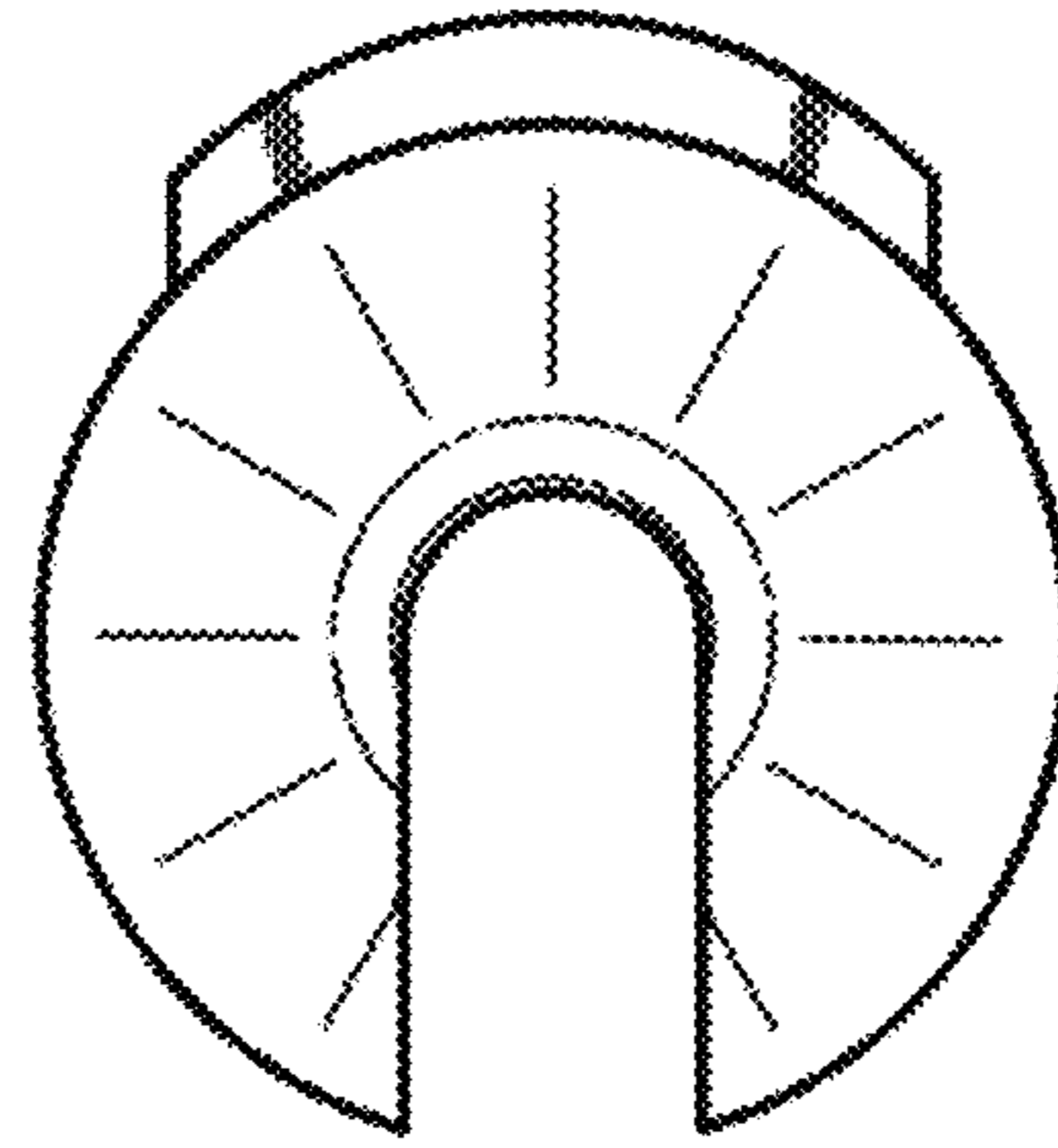


FIG. 4

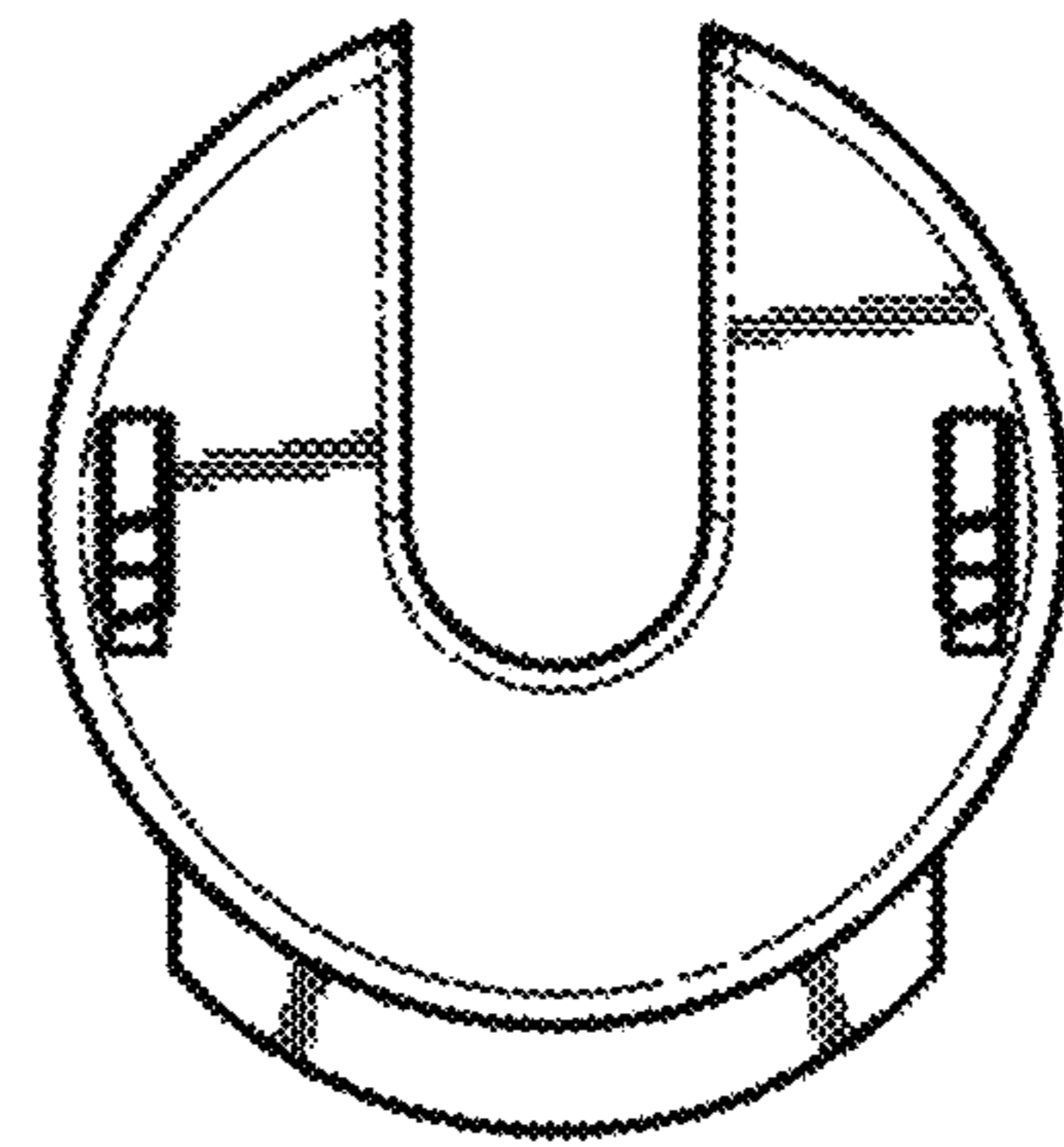


FIG. 5

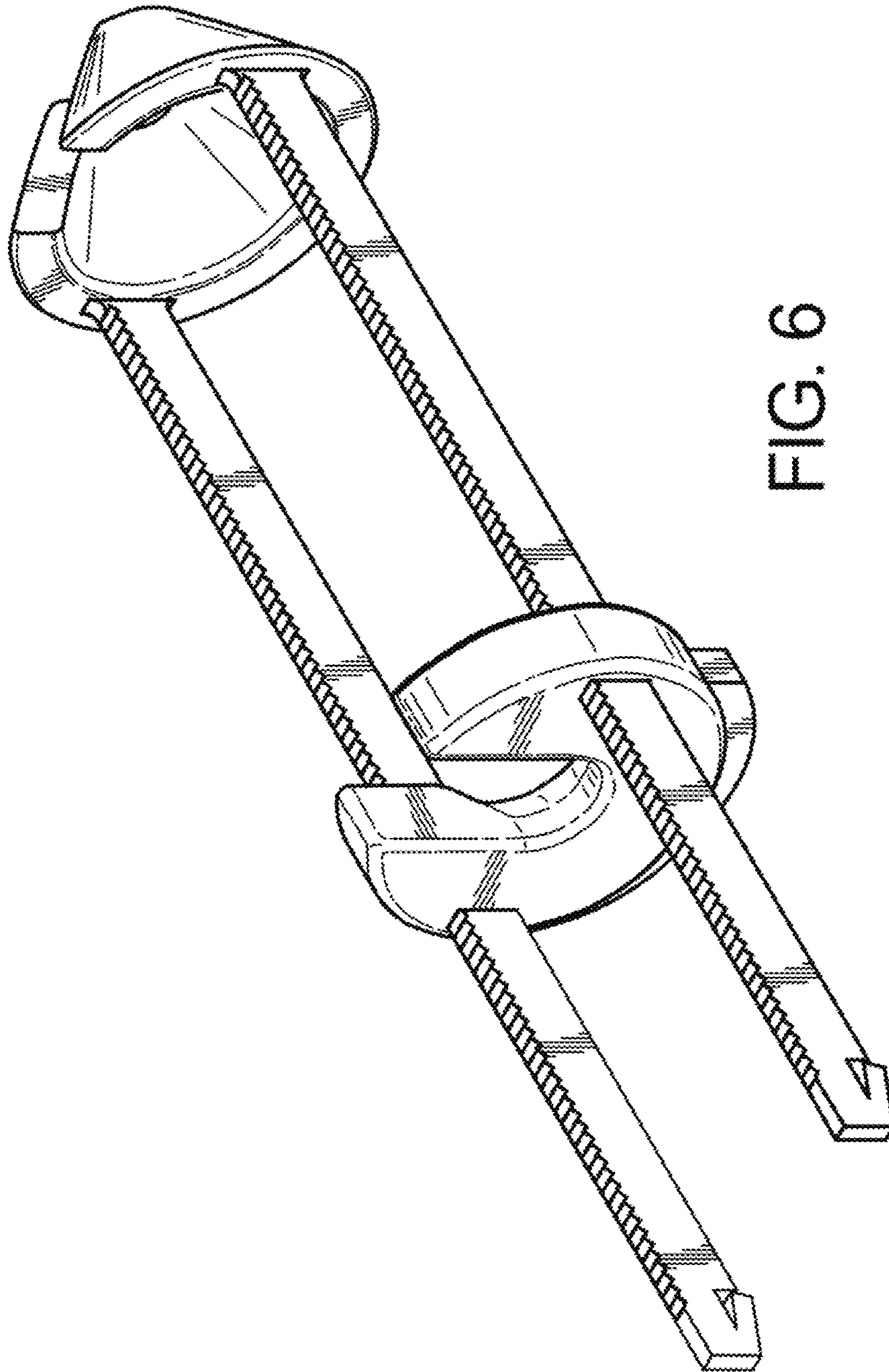


FIG. 6

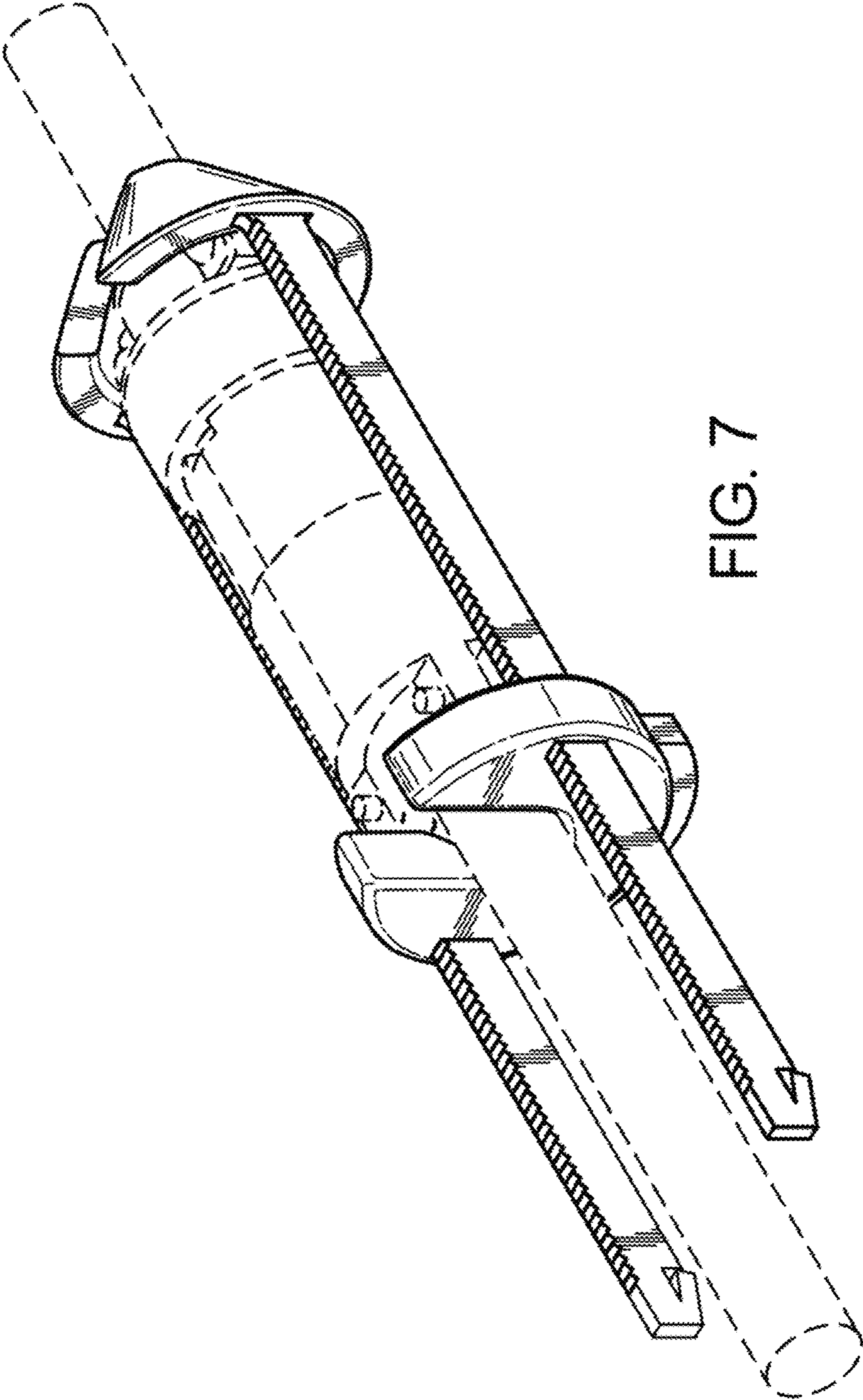


FIG. 7

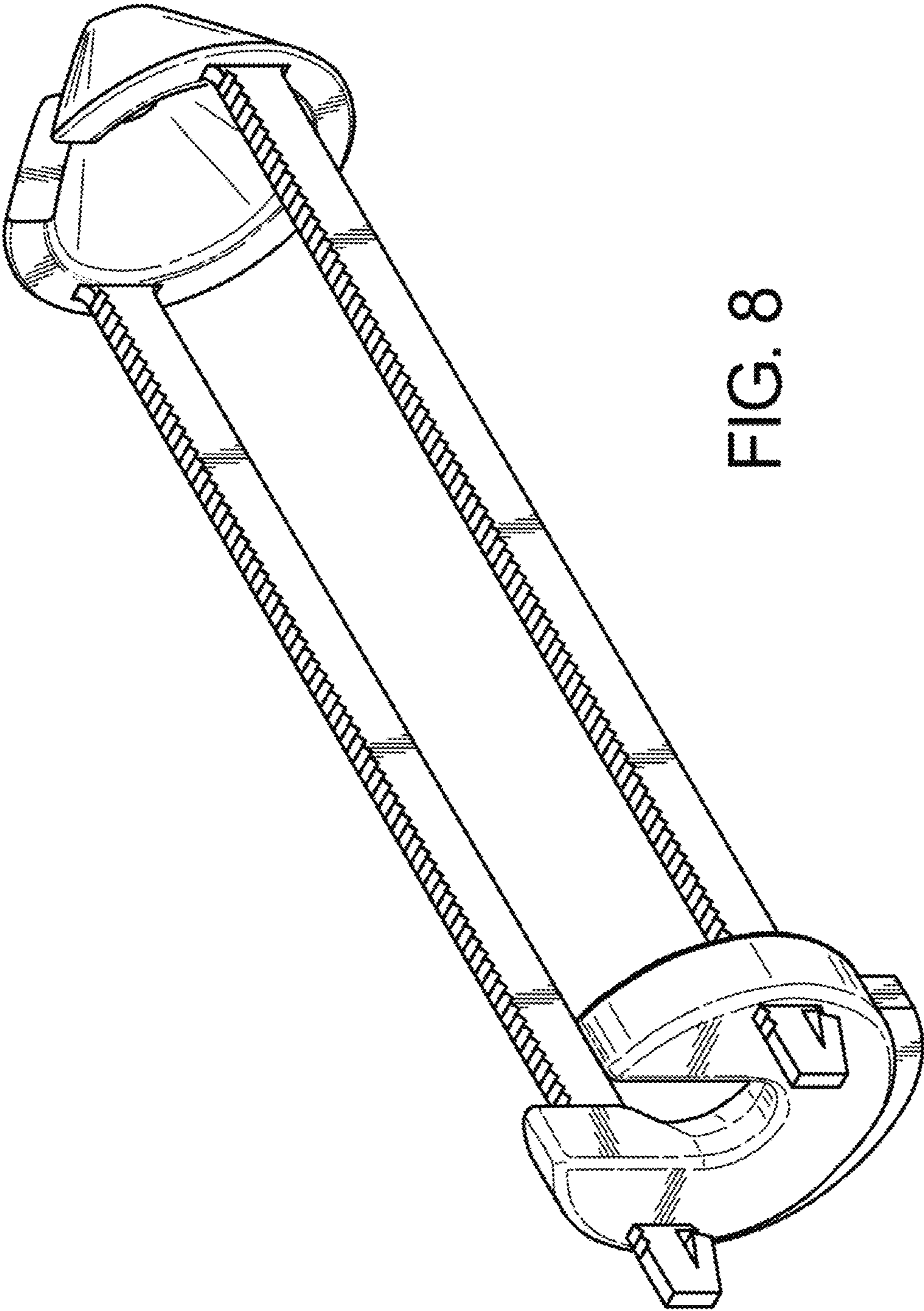


FIG. 8