



US00D812011S

(12) **United States Design Patent**  
**Bennett**

(10) **Patent No.:** **US D812,011 S**  
(45) **Date of Patent:** **\*\* Mar. 6, 2018**

- (54) **TRAILER WIRING CONNECTOR**
- (71) Applicant: **HOPKINS MANUFACTURING CORPORATION**, Emporia, KS (US)
- (72) Inventor: **Kyle Bennett**, Emporia, KS (US)
- (73) Assignee: **Hopkins Manufacturing Corporation**, Emporia, KS (US)
- (\*\*) Term: **15 Years**
- (21) Appl. No.: **29/551,066**
- (22) Filed: **Jan. 11, 2016**
- (51) **LOC (11) Cl.** ..... **13-03**
- (52) **U.S. Cl.**  
USPC ..... **D13/146**
- (58) **Field of Classification Search**  
USPC ..... D13/123, 133, 146, 147, 154, 184, 199  
CPC ..... H01R 13/0005; H01R 13/504; H01R 13/5213; H01R 13/633; H01R 13/7175; H01R 24/22; H01R 43/18; H01R 43/20  
See application file for complete search history.

- D514,068 S \* 1/2006 Scheller ..... D13/147
- D527,708 S \* 9/2006 Schemm ..... D13/147
- D585,378 S \* 1/2009 Haber ..... D13/138.2
- D615,930 S \* 5/2010 Upham ..... D13/146
- D617,284 S \* 6/2010 Rotenberg ..... D13/154
- D696,204 S \* 12/2013 Lee ..... D13/154
- 9,636,959 B1 \* 5/2017 Ihde ..... H01R 13/5845
- 9,783,099 B1 \* 10/2017 Delucco ..... B60Q 1/305

\* cited by examiner

*Primary Examiner* — Daniel Bui

(74) *Attorney, Agent, or Firm* — Hovey Williams LLP

(57) **CLAIM**

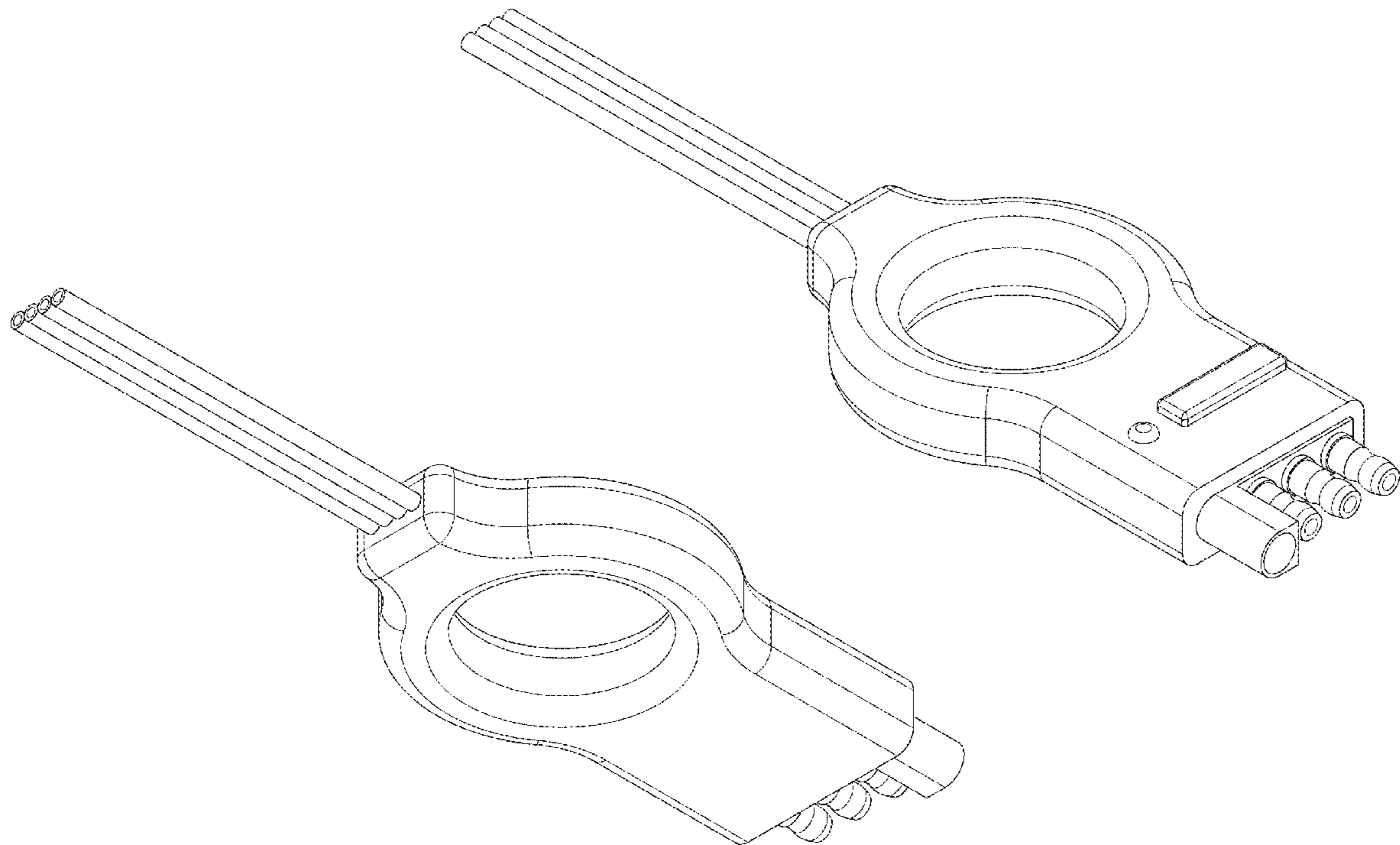
The ornamental design for a trailer wiring connector, as shown and described.

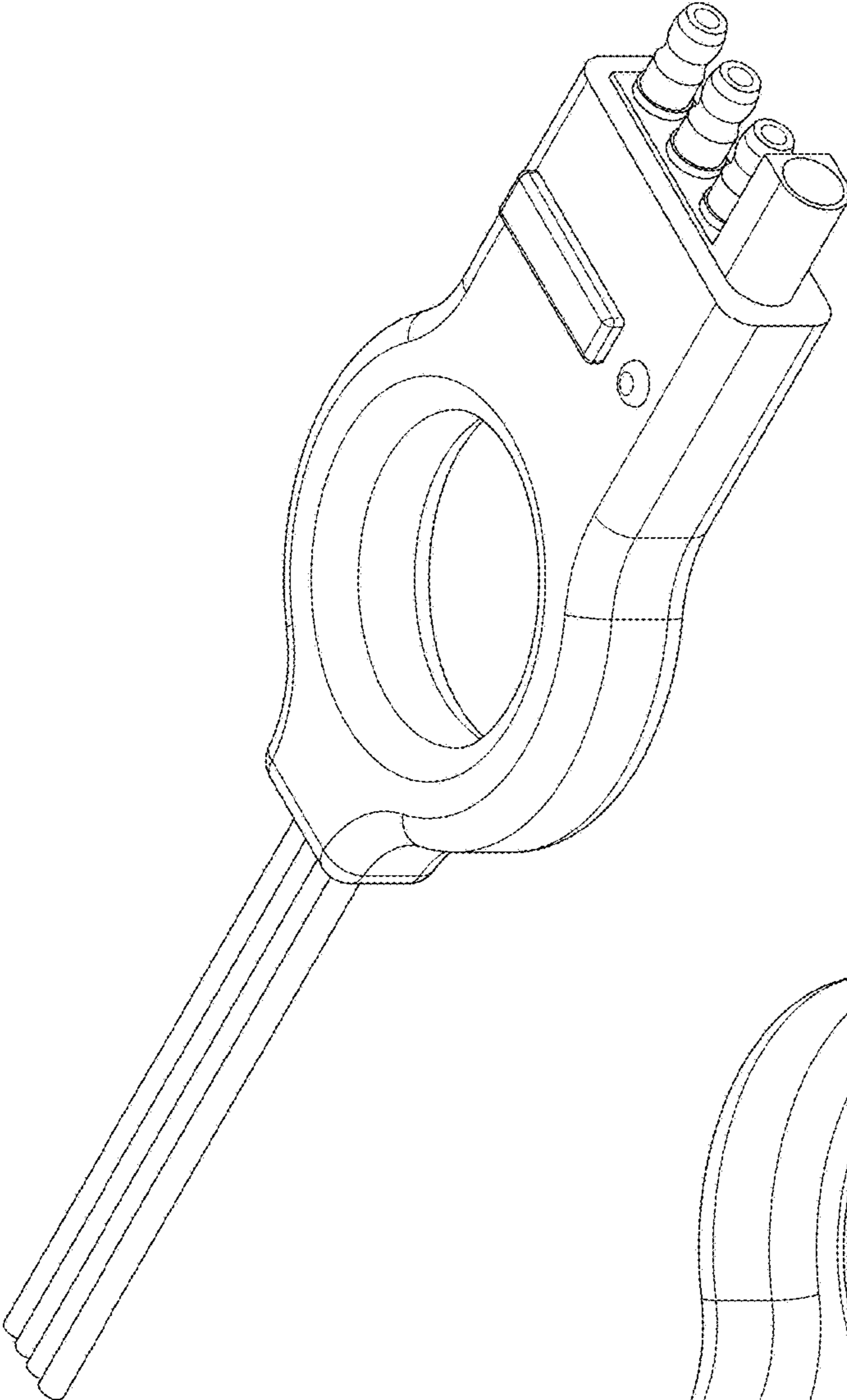
**DESCRIPTION**

FIG. 1 is a top, front and side perspective view of a trailer wiring connector showing my new design;  
 FIG. 2 is a bottom, rear and side perspective view thereof;  
 FIG. 3 is a top plan view thereof;  
 FIG. 4 is a side elevational view thereof;  
 FIG. 5 is another side elevational view thereof;  
 FIG. 6 is a bottom plan view thereof;  
 FIG. 7 is a rear devotional view thereof; and,  
 FIG. 8 is a front devotional view thereof.

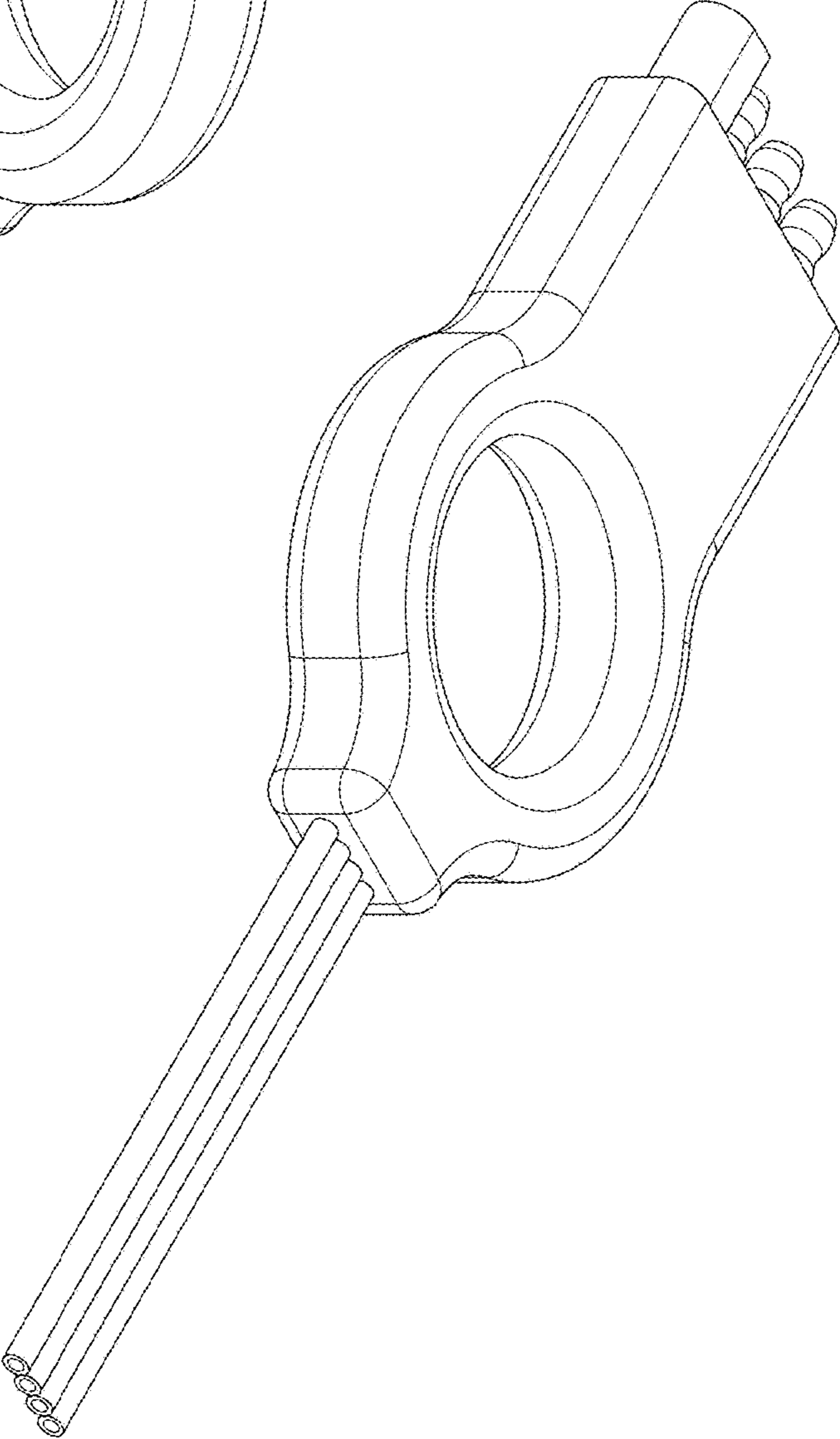
**1 Claim, 4 Drawing Sheets**

- (56) **References Cited**  
U.S. PATENT DOCUMENTS  
D411,829 S \* 7/1999 Pancheri ..... D13/147  
D493,142 S 7/2004 Siu

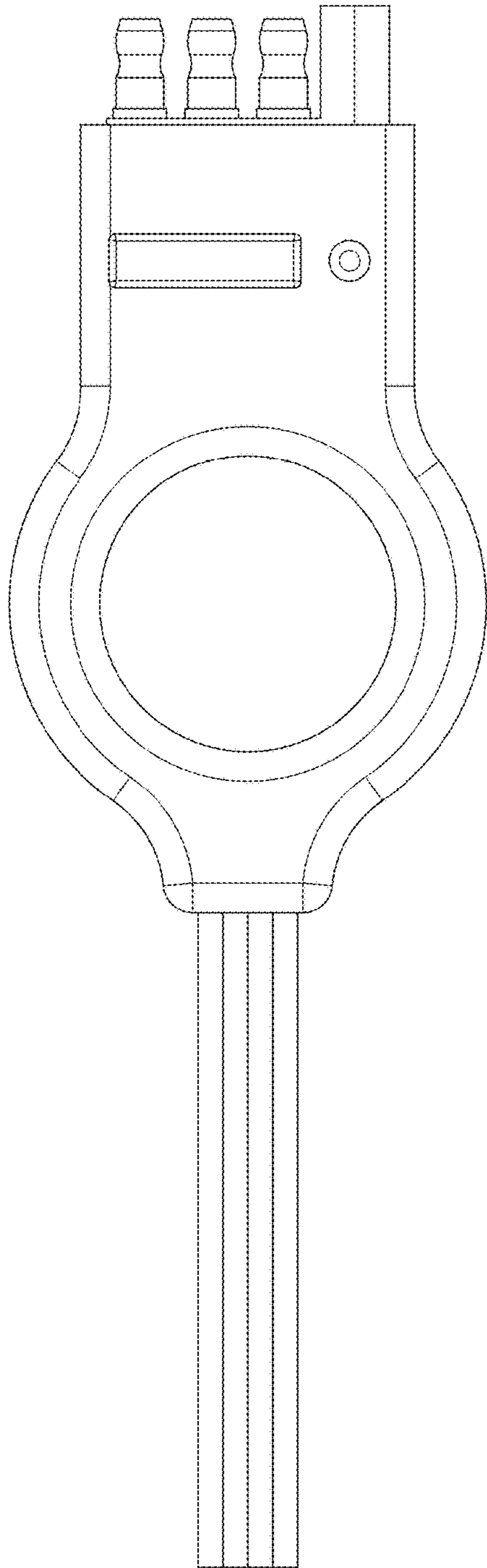




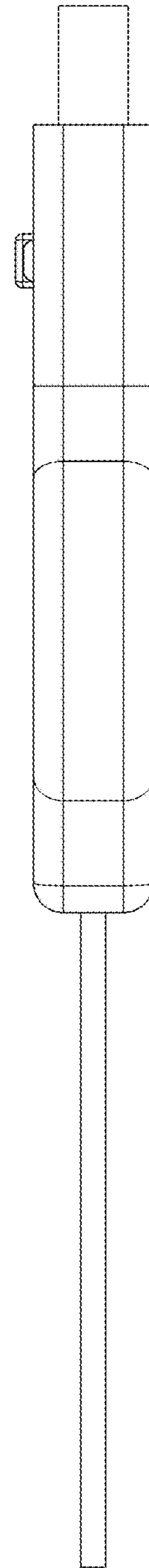
*Fig. 1.*



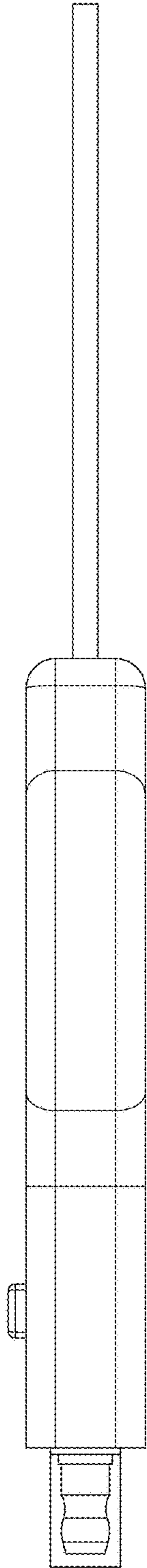
*Fig. 2.*



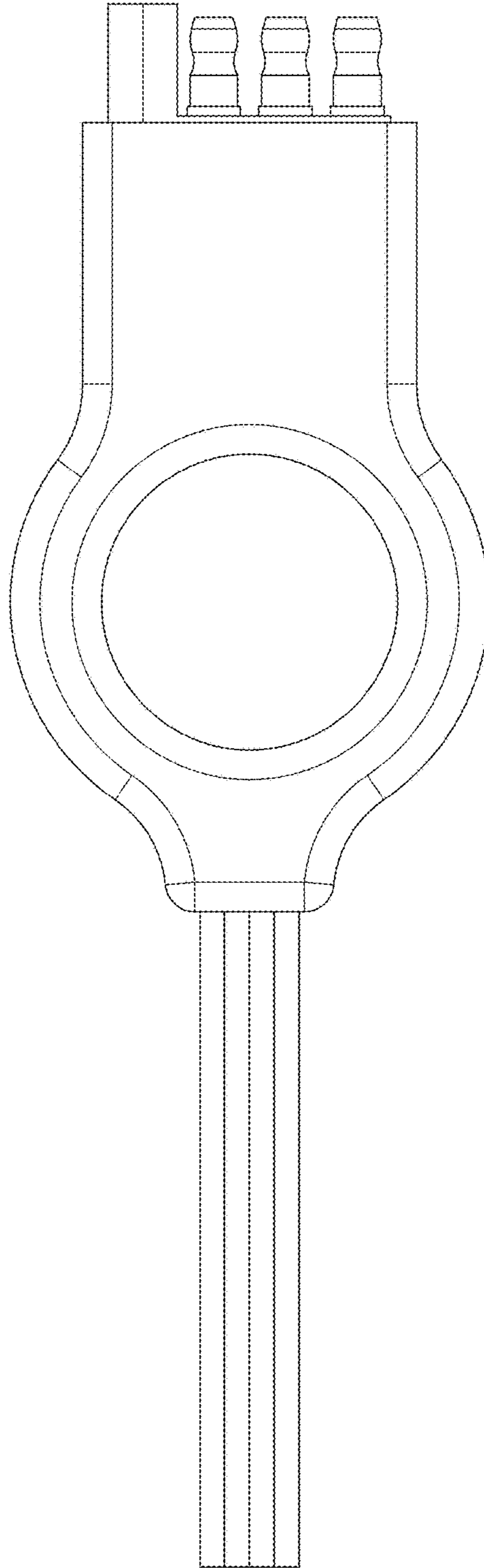
*Fig. 3.*



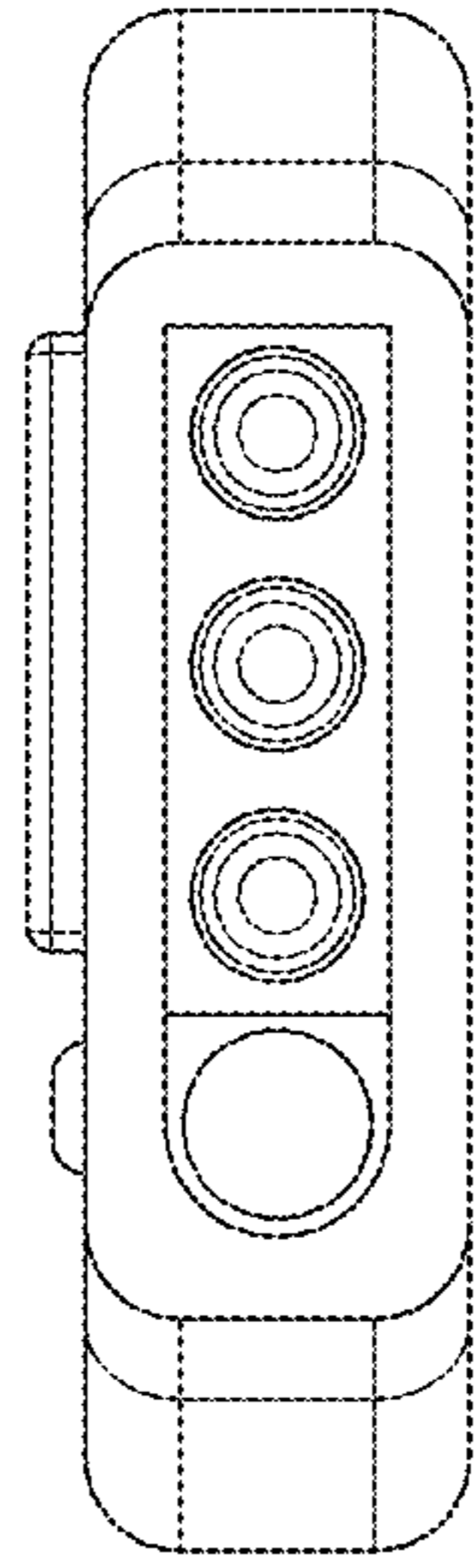
*Fig. 4.*



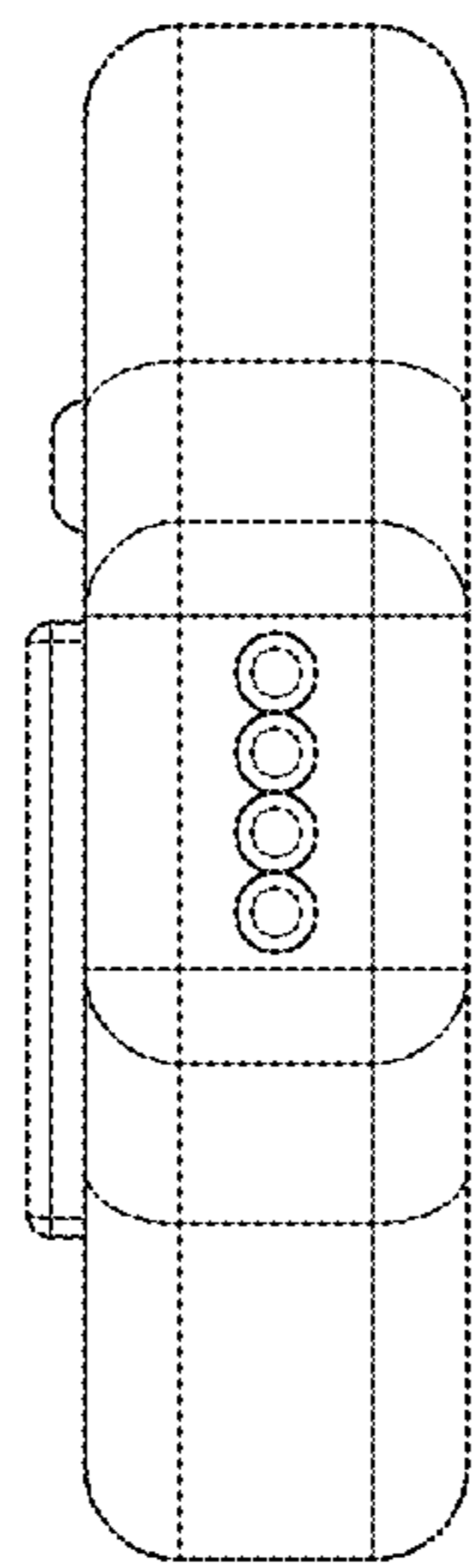
*Fig. 5.*



*Fig. 6.*



*Fig. 8.*



*Fig. 7.*