



US00D812010S

(12) **United States Design Patent**  
**Preus et al.**

(10) **Patent No.:** **US D812,010 S**  
(45) **Date of Patent:** **\*\* Mar. 6, 2018**

(54) **MODULAR EXTENSION CORD REEL**  
(71) Applicant: **TTI (MACAO COMMERCIAL OFFSHORE) LIMITED**, Macau (MO)

4,625,259 A 11/1986 Krechmer et al.  
5,723,815 A 3/1998 Pena  
5,738,548 A 4/1998 Rutulante  
D402,271 S \* 12/1998 Weinberg ..... D13/177  
(Continued)

(72) Inventors: **Michael Preus**, Greenville, SC (US);  
**Parke Pleasants**, Anderson, SC (US);  
**J. Luke Jenkins**, Anderson, SC (US);  
**John Schaalje**, Williamson, SC (US);  
**Taku Ohi**, Greer, SC (US); **Steven Westover**, Anderson, SC (US); **C. Eric Lagman**, Anderson, SC (US)

**FOREIGN PATENT DOCUMENTS**

CA 2636027 10/2007  
WO 32091538 11/2002

(73) Assignee: **TTI (MACAO COMMERCIAL OFFSHORE) LIMITED**, Macau (MO)

**OTHER PUBLICATIONS**

Remodeling.hw.net: Trick Out Your Garage Door Opener with Ryobi's Newest One+ Launch. Published Apr. 1, 2016. Retrieved from the internet at <[http://www.remodeling.hw.net/products/exterior/trick-out-your-garage-door-opener-with-ryobis-newest-one-launch\\_o](http://www.remodeling.hw.net/products/exterior/trick-out-your-garage-door-opener-with-ryobis-newest-one-launch_o)>, Nov. 28, 2017. 1 page.\*

(\*\*) Term: **15 Years**

*Primary Examiner* — Rosemary K Tarcza  
*Assistant Examiner* — Christy Nemeth  
(74) *Attorney, Agent, or Firm* — Michael Best & Friedrich LLP

(21) Appl. No.: **29/560,843**

(22) Filed: **Apr. 11, 2016**

(51) **LOC (11) Cl.** ..... **13-03**

(52) **U.S. Cl.**  
USPC ..... **D13/139.7; D8/358**

(57) **CLAIM**

The ornamental design for a modular extension cord reel, as shown and described.

(58) **Field of Classification Search**  
USPC ..... D14/432, 433, 435.1; D13/103, 108, D13/109, 110, 133, 137.1–137.4, D13/138.1–138.2, 139.1–139.8, 146, 147, D13/151, 152–156, 173, 177, 162, 158, D13/184, 107, 139.4; D8/350, 353–356, D8/358, 402, 403; D25/108, 122, 124  
CPC .... H01R 25/00; H01R 25/006; H01R 25/003; H01R 13/5845; H01R 13/72; H01R 13/46; H01R 31/06; H01R 24/28; H01R 11/00; H01R 9/00; H01B 7/2806; H02J 2007/0062

**DESCRIPTION**

FIG. 1 is a rear perspective view of a modular extension cord reel of our new design;  
FIG. 2 is a front view thereof;  
FIG. 3 is a rear view thereof;  
FIG. 4 is a top view thereof;  
FIG. 5 is a bottom view thereof;  
FIG. 6 is a left side view thereof; and,  
FIG. 7 is a right side view thereof.  
The dashed broken lines in the drawings are for the purpose of illustrating environment that forms no part of the claimed design. The dash-dot broken lines in the drawings are for the purpose of illustrating boundaries and form no part of the claimed design.

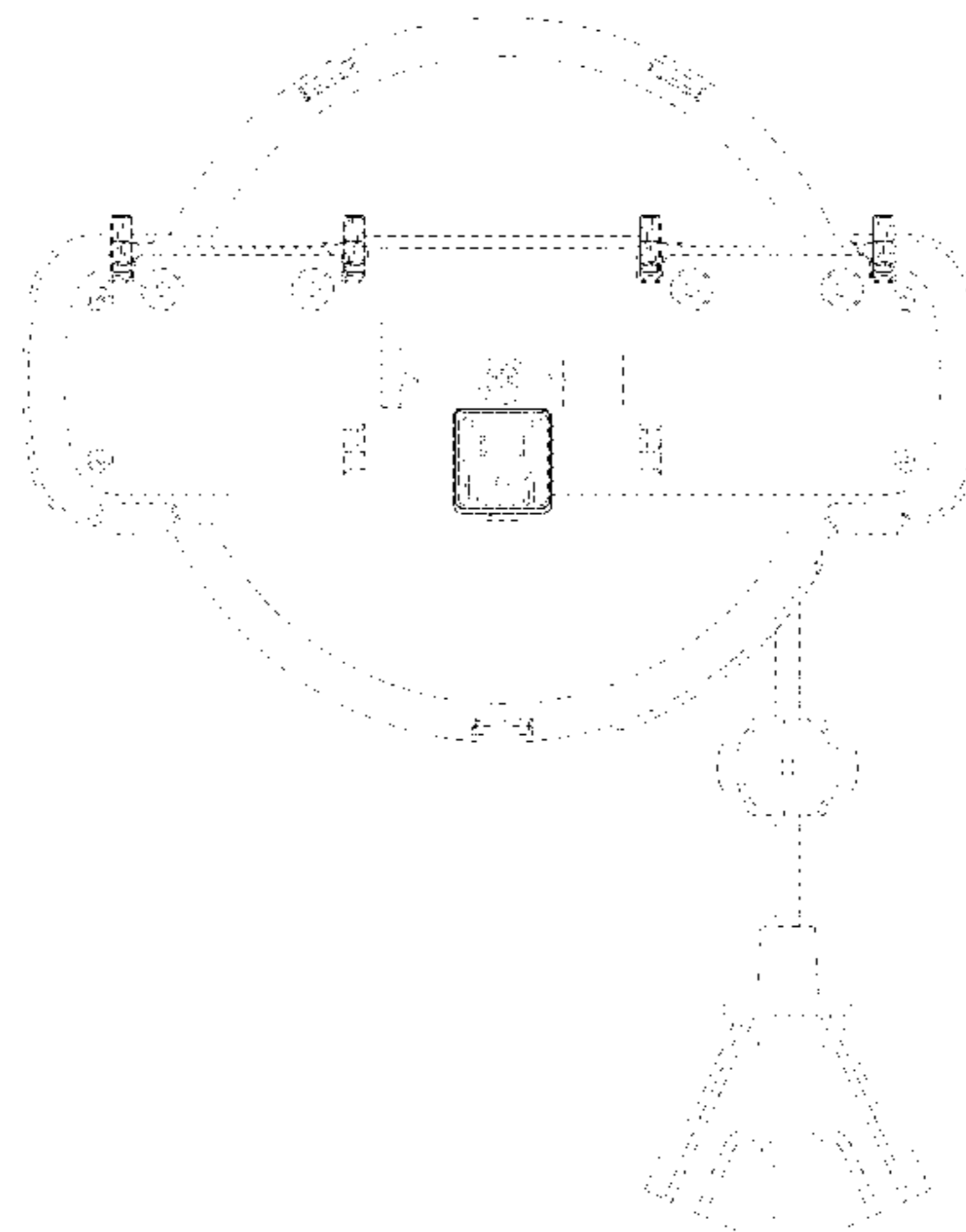
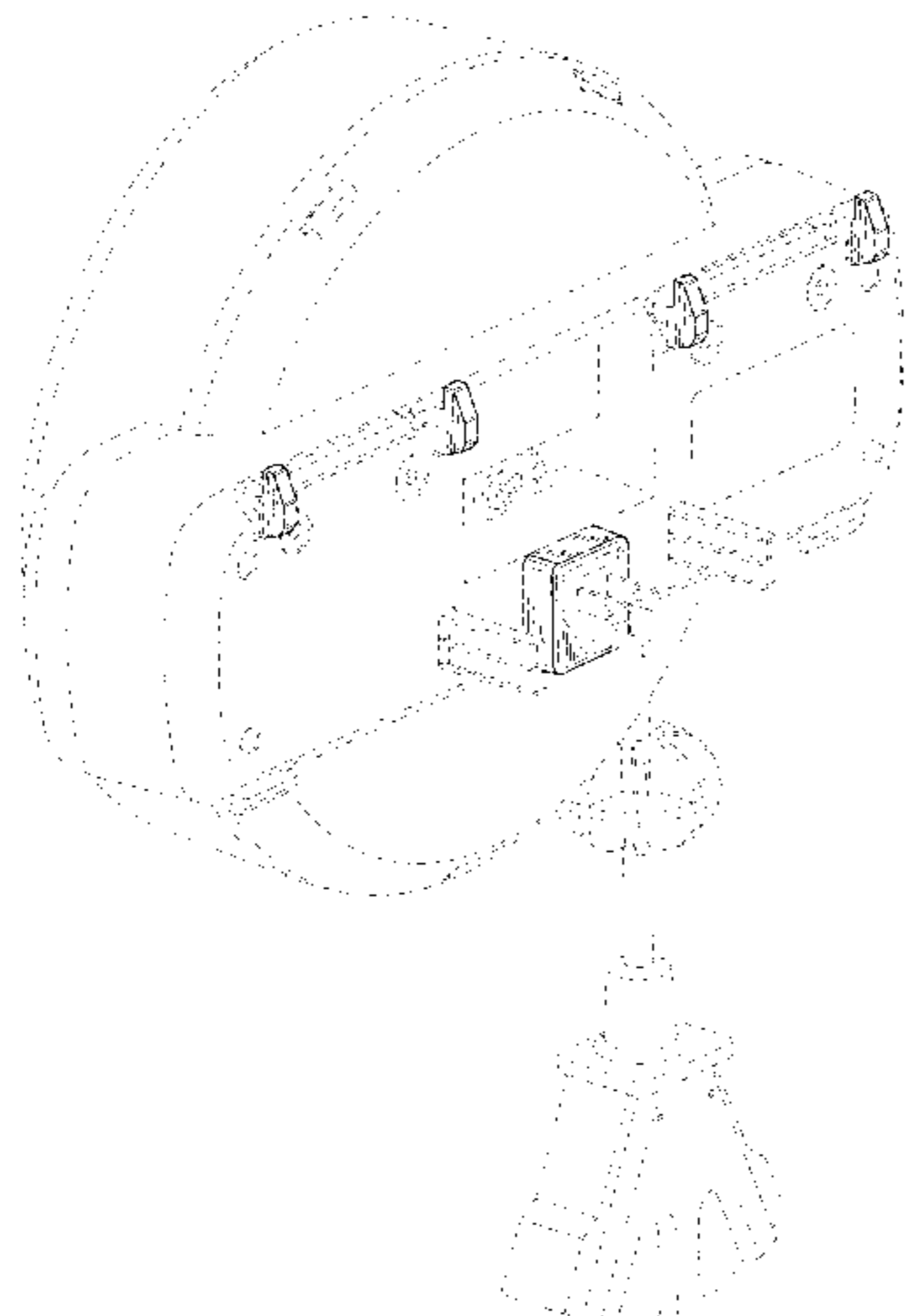
See application file for complete search history.

(56) **References Cited**

**U.S. PATENT DOCUMENTS**

3,920,308 A 11/1975 Murray  
D286,134 S \* 10/1986 Schwartz ..... D13/137.4

**1 Claim, 5 Drawing Sheets**



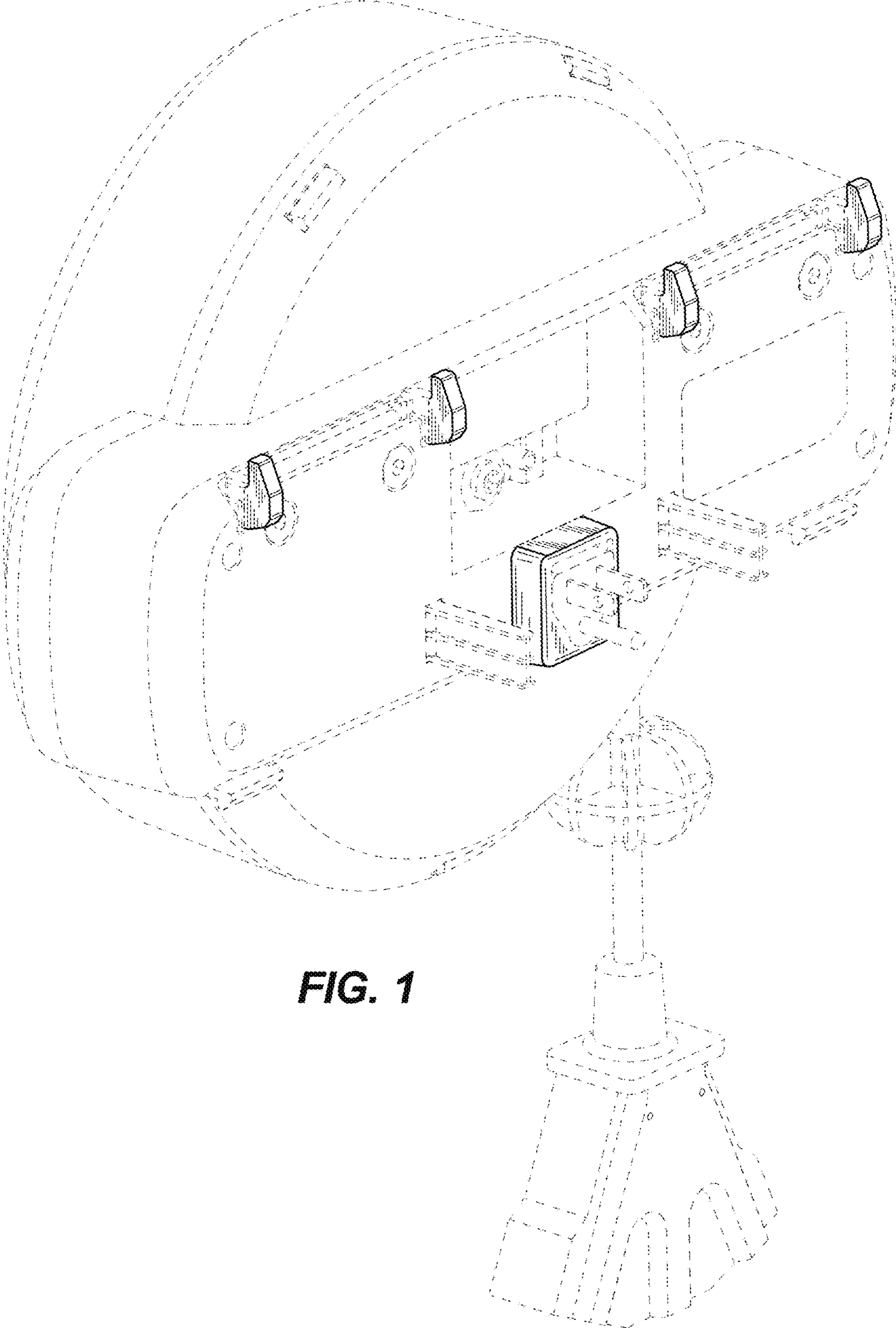
(56)

**References Cited**

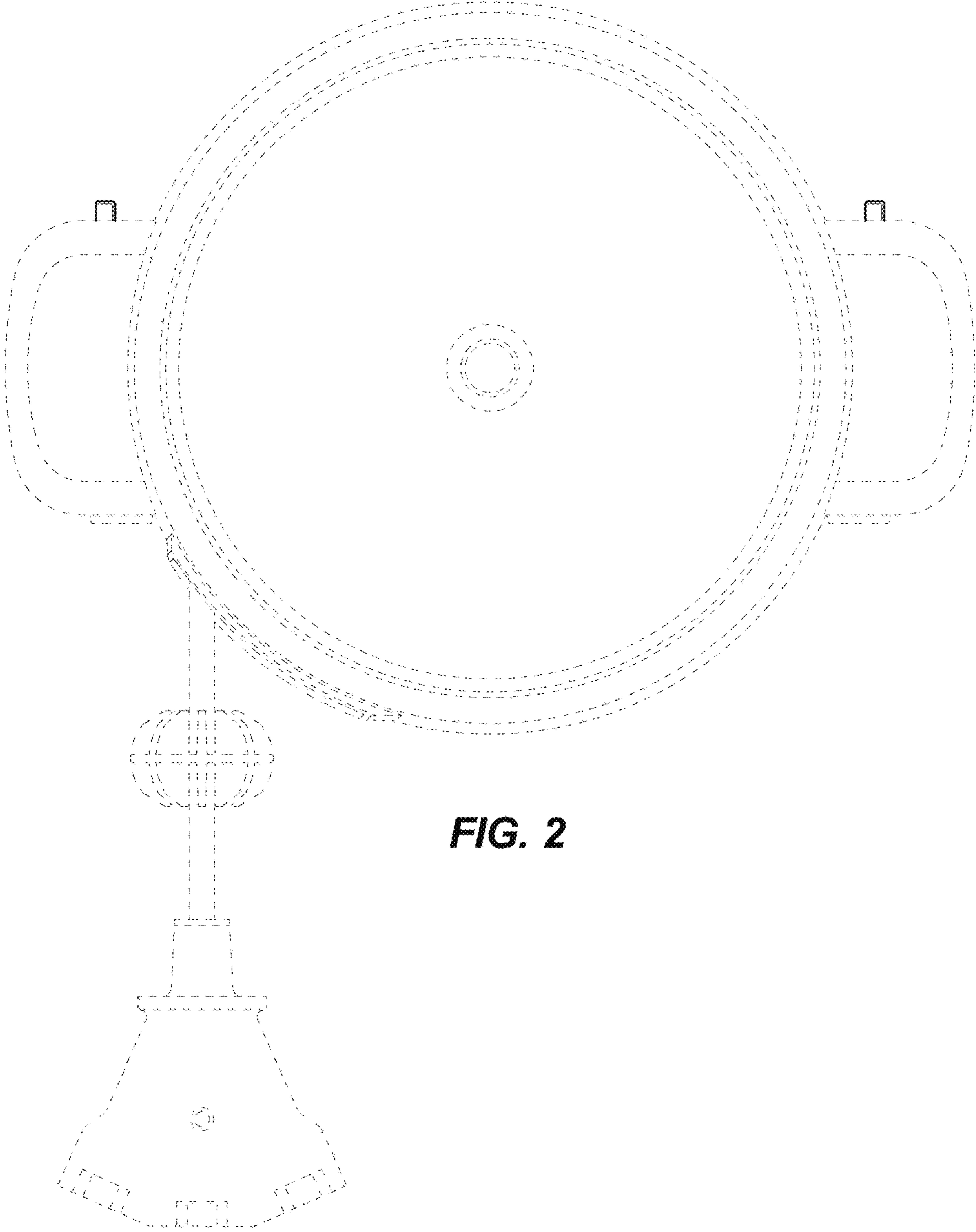
U.S. PATENT DOCUMENTS

6,575,781	B2	6/2003	Wen-Hsuan et al.	
6,599,143	B1	7/2003	Chong, Jr. et al.	
7,175,473	B1	2/2007	Clapp et al.	
7,309,834	B1	12/2007	Byrd	
7,429,189	B2	9/2008	Lerch	
D624,020	S *	9/2010	Kovacik .....	D13/137.4
8,058,841	B2	11/2011	Chander et al.	
8,292,656	B2	10/2012	Mydlarz	
D767,374	S *	9/2016	Vanttila .....	D8/356
D775,592	S *	1/2017	Sasano .....	D13/154
D777,113	S *	1/2017	Haley .....	D13/154
2007/0159772	A1	7/2007	Morice	
2010/0058669	A1	3/2010	Cole	
2015/0097090	A1	4/2015	Musick	

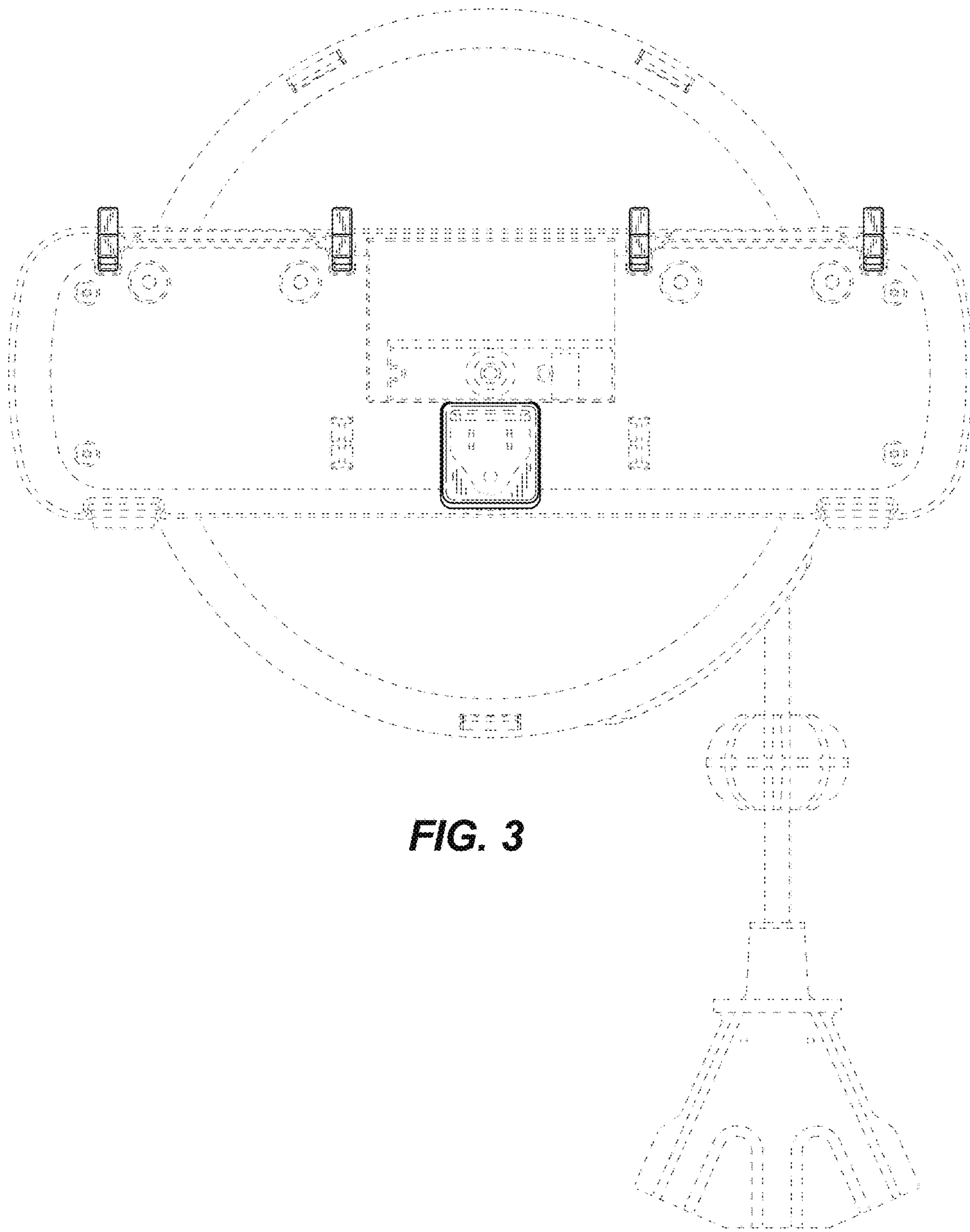
\* cited by examiner



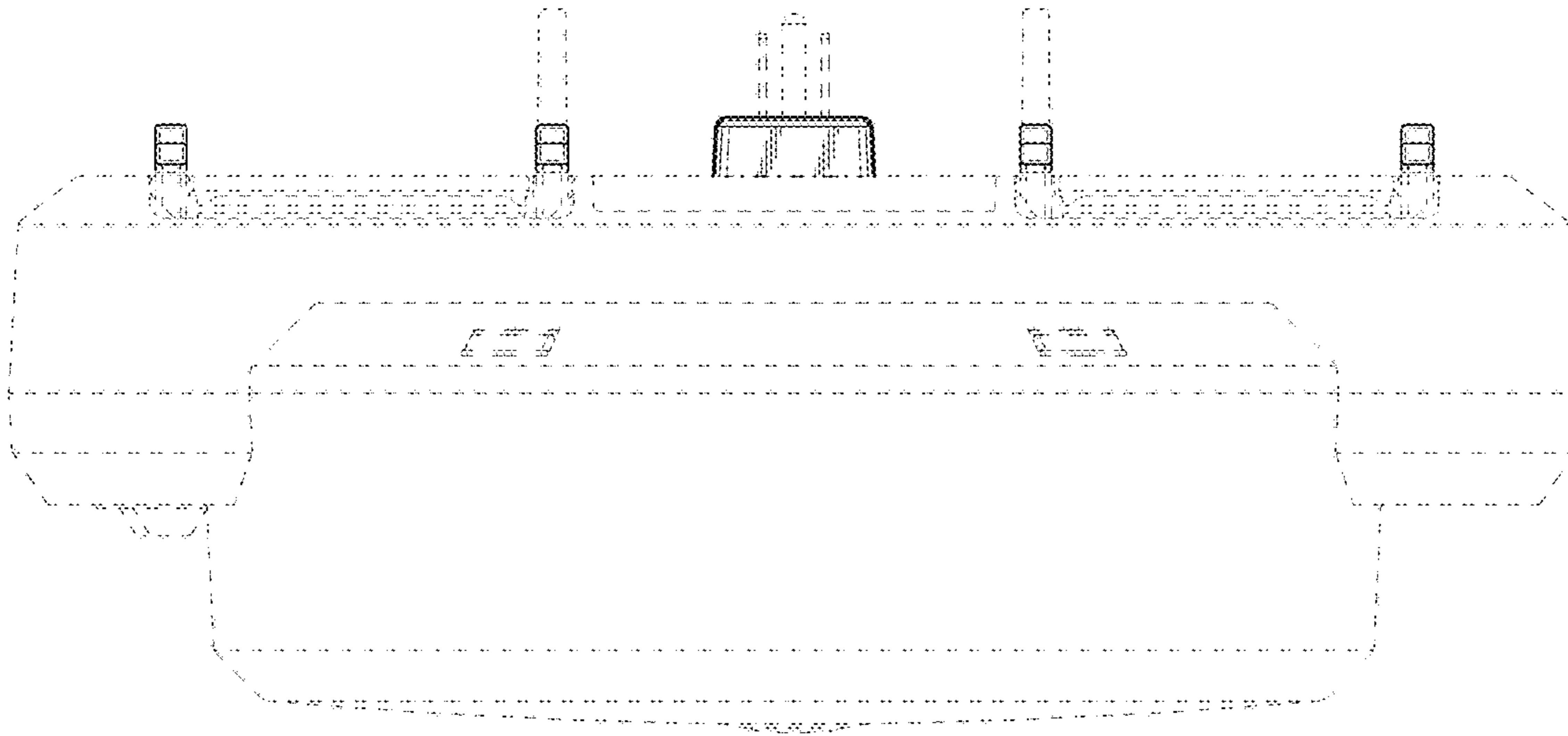
**FIG. 1**



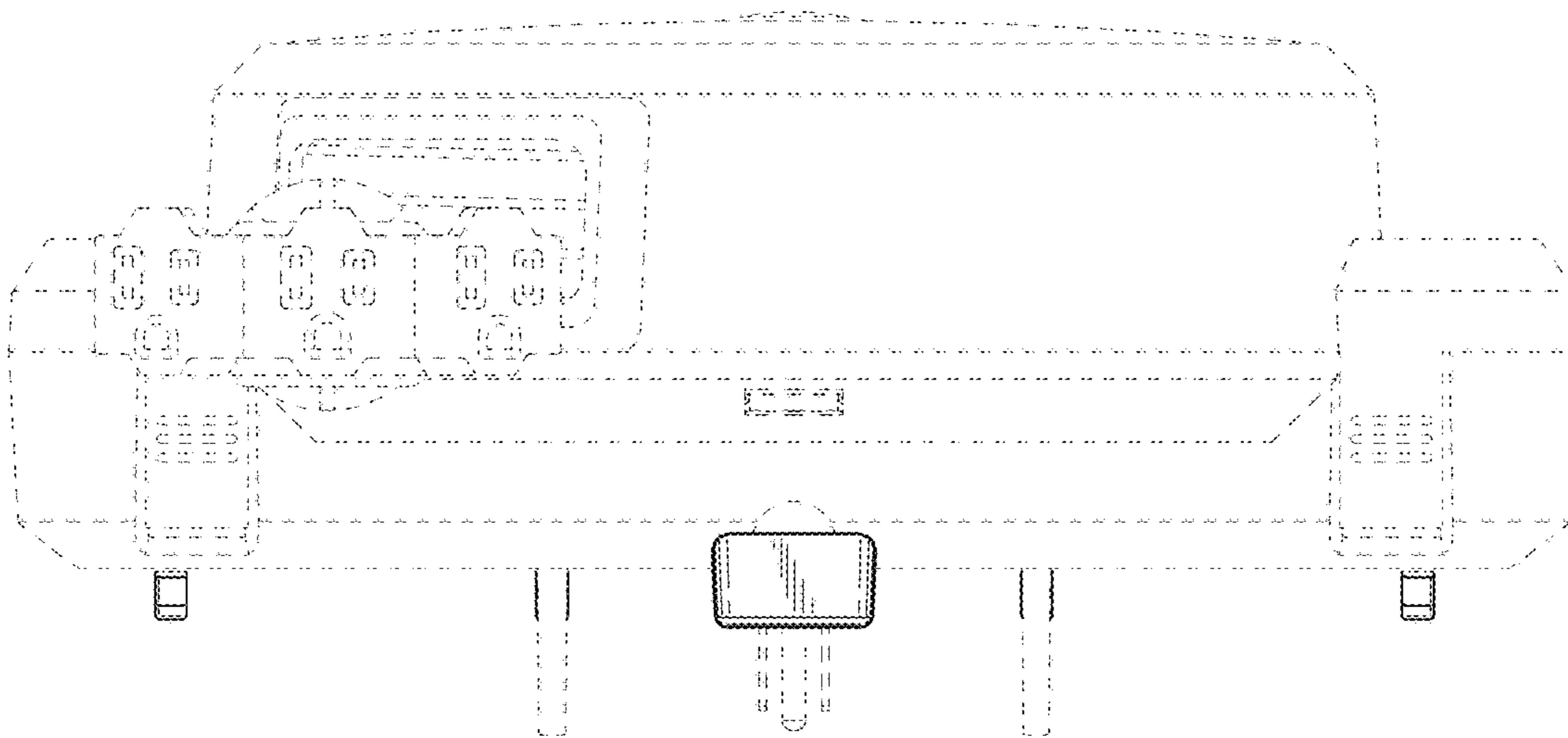
**FIG. 2**



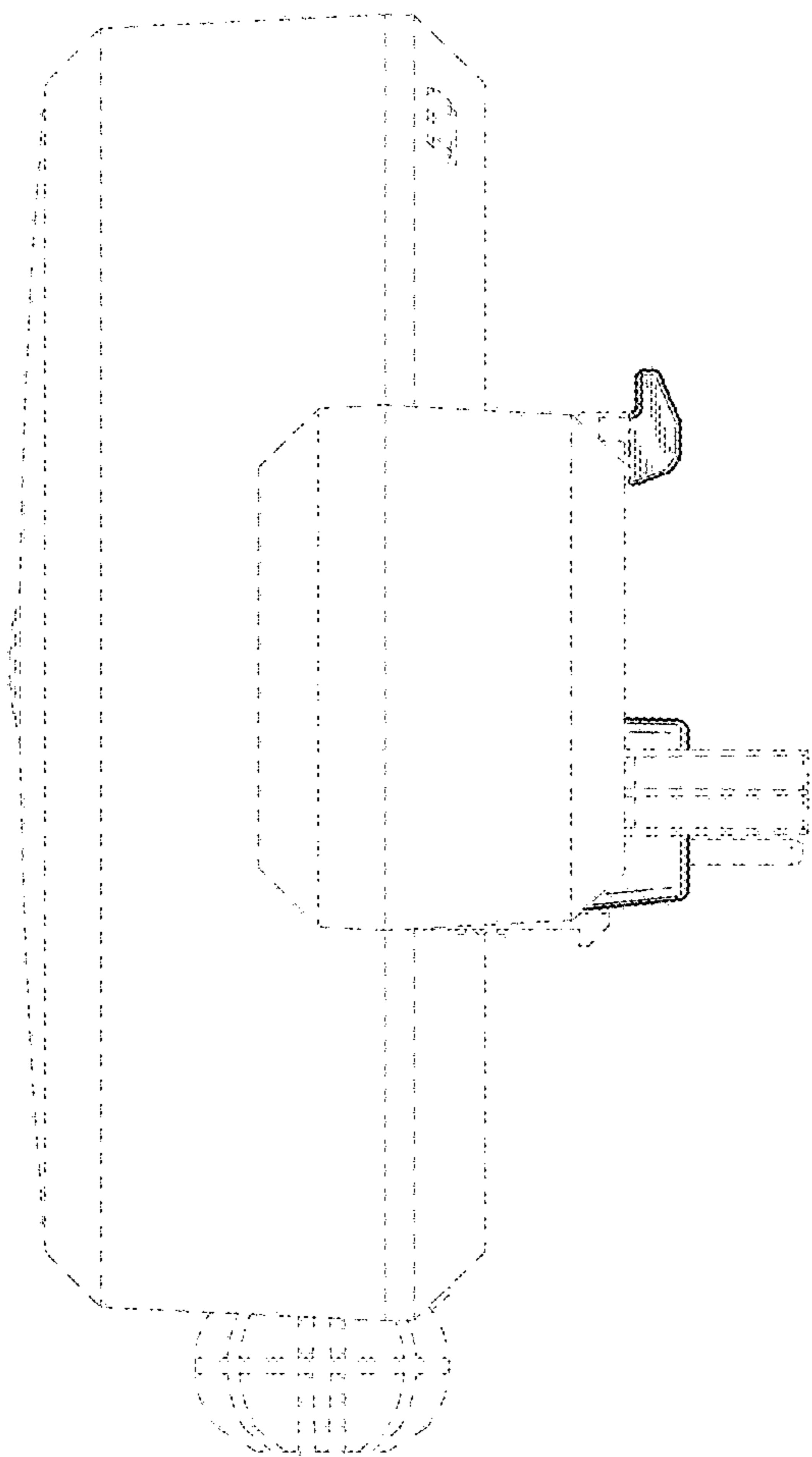
**FIG. 3**



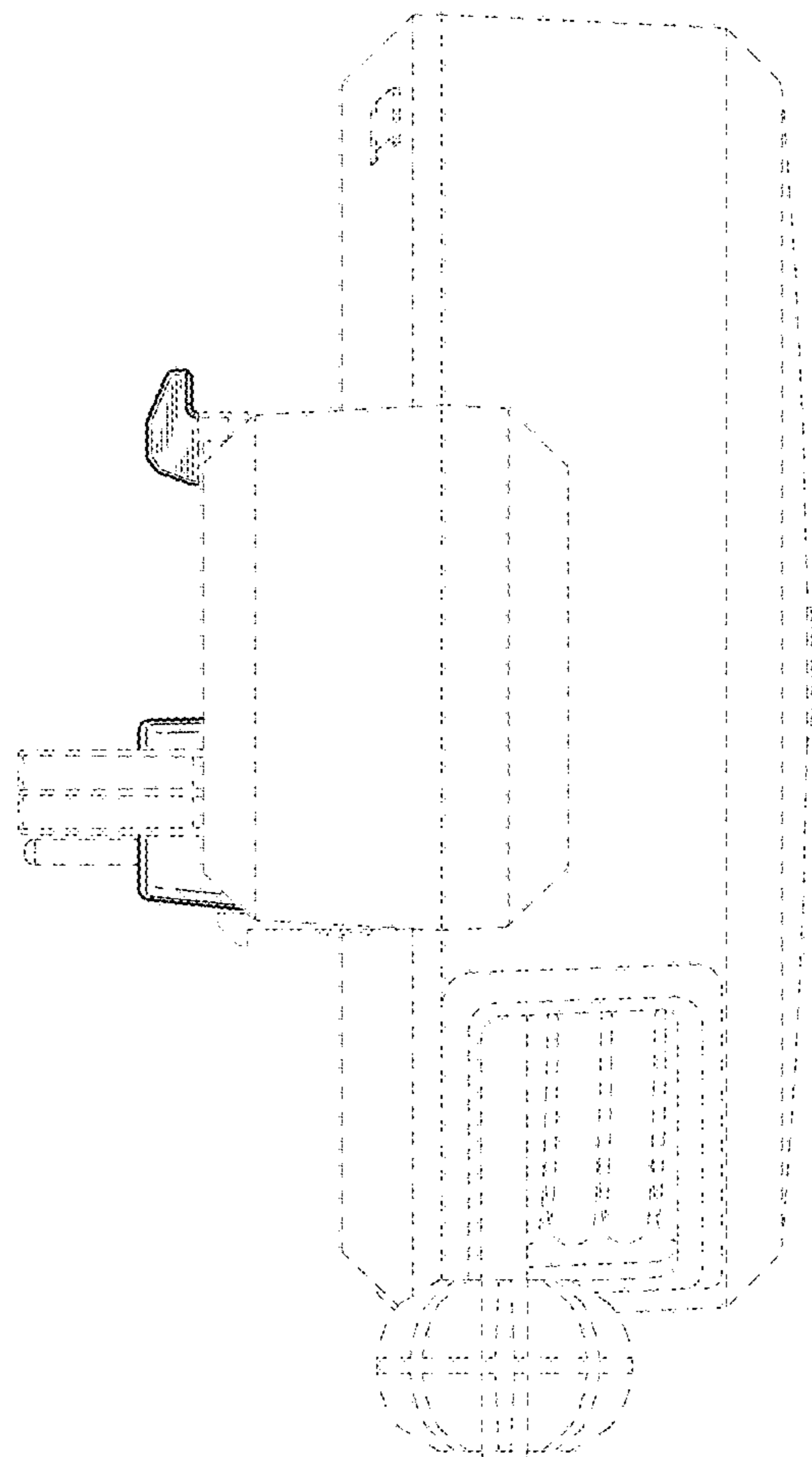
**FIG. 4**



**FIG. 5**



**FIG. 6**



**FIG. 7**

