



US00D812009S

(12) **United States Design Patent**
Hayes et al.

(10) **Patent No.:** **US D812,009 S**
(45) **Date of Patent:** **** *Mar. 6, 2018**

- (54) **DESKTOP RECEPTACLE**
- (71) Applicant: **Group Dekko, Inc.**, Garrett, IN (US)
- (72) Inventors: **Daniel Hayes**, Kendallville, IN (US);
Raymond Riner, Fort Wayne, IN (US)
- (73) Assignee: **Group Dekko, Inc.**, Garrett, IN (US)
- (*) Notice: This patent is subject to a terminal disclaimer.
- (**) Term: **15 Years**
- (21) Appl. No.: **29/585,322**
- (22) Filed: **Nov. 22, 2016**
- (51) **LOC (11) Cl.** **13-03**
- (52) **U.S. Cl.**
USPC **D13/139.4**
- (58) **Field of Classification Search**
USPC D13/108–110, 133, 137.1–137.4,
D13/138.1–138.2, 139.1–139.8, 152–154,
D13/156, 173, 177, 151, 146, 147;
D14/433, 435.1, 432; D8/350–353, 331
CPC H01R 25/00; H01R 25/006; H01R 25/003;
H01R 9/00; H01R 11/00; H01R 3/00;
H02J 2007/0062; H05K 5/02
See application file for complete search history.

- D721,328 S * 1/2015 Freeman D13/110
- D734,259 S * 7/2015 Ceyress D13/110
- D740,228 S * 10/2015 Page D13/139.4
- D740,229 S 10/2015 Page et al.
- D743,886 S * 11/2015 Nomi D13/108
- D744,951 S 12/2015 Oosterman et al.
- D744,953 S * 12/2015 Byrne D13/139.4
- D755,128 S 5/2016 Page et al.

(Continued)

FOREIGN PATENT DOCUMENTS

CA	89845	6/2000
CA	90677	10/2000

(Continued)

Primary Examiner — Rosemary K Tarcza
Assistant Examiner — Christy Nemeth
 (74) *Attorney, Agent, or Firm* — Taylor IP, P.C.

(57) **CLAIM**

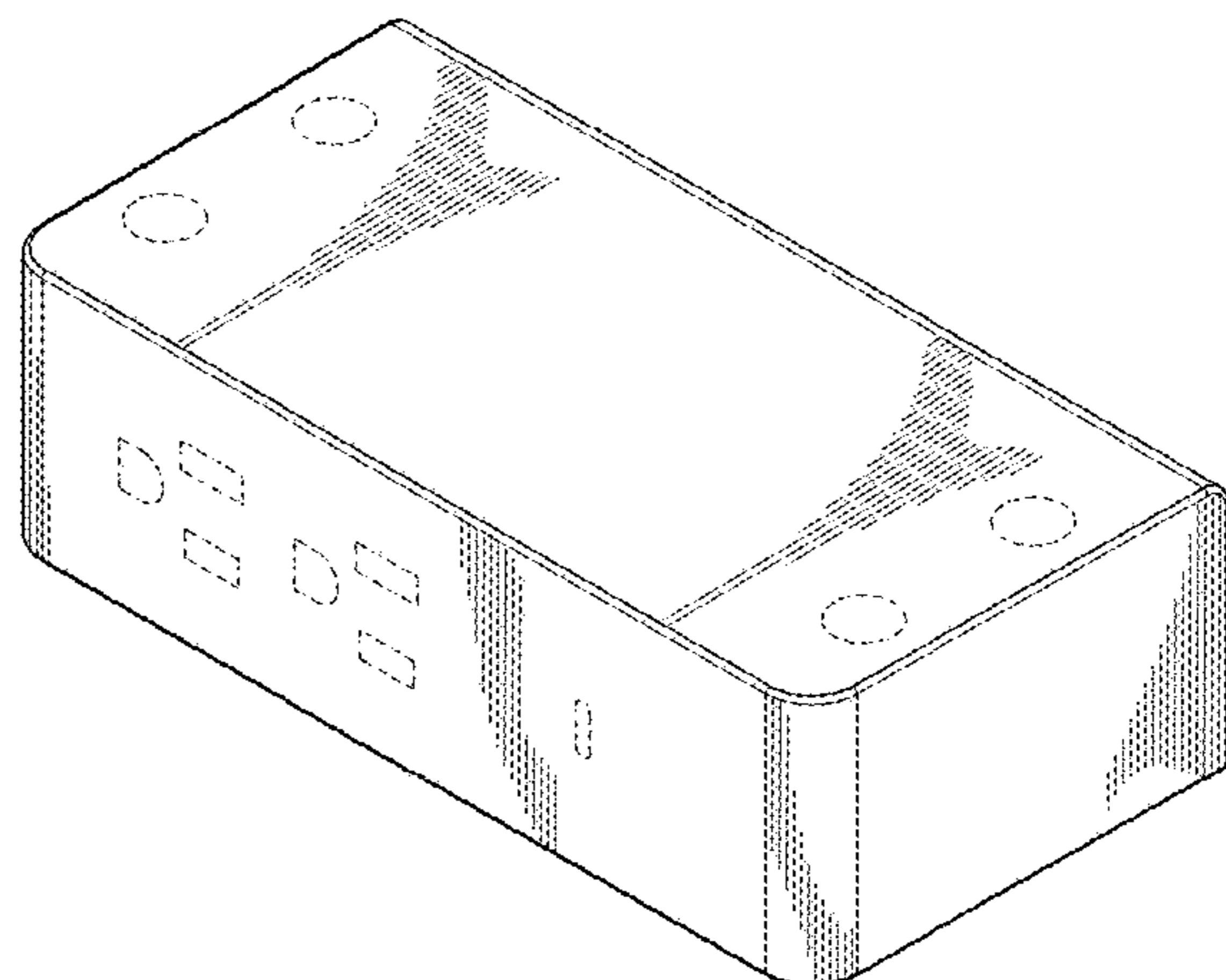
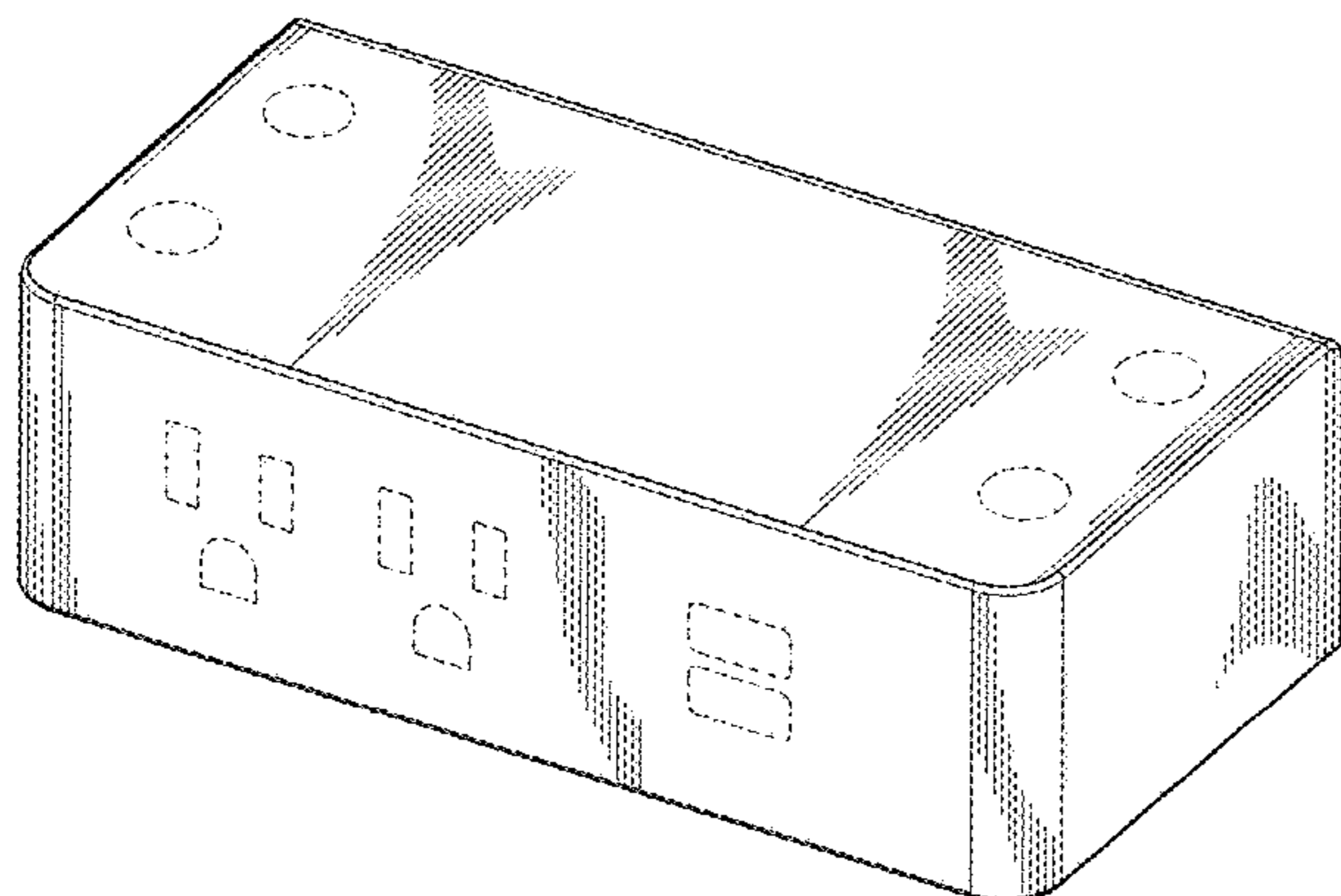
The ornamental design for a desktop receptacle, as shown and described.

DESCRIPTION

FIG. 1 is a perspective view of a first embodiment of a desktop receptacle showing our new design;
 FIG. 2 is a front view thereof;
 FIG. 3 is a rear view thereof;
 FIG. 4 is a top view thereof;
 FIG. 5 is a bottom view thereof;
 FIG. 6 is a side view thereof;
 FIG. 7 is another side view thereof opposite the side shown in FIG. 6;
 FIG. 8 is a perspective view of a second embodiment of a desktop receptacle showing our design; and,
 FIG. 9 is a front view of the desktop receptacle shown in FIG. 8.
 The broken lines in the drawings are for the purpose of illustrating portions of the desktop receptacle that form no part of the claimed design.

1 Claim, 4 Drawing Sheets

- (56) **References Cited**
- U.S. PATENT DOCUMENTS**
- D506,441 S 6/2005 Lichtscheidl et al.
- D549,654 S 8/2007 Kent et al.
- D560,165 S * 1/2008 Matityahu D13/133
- D636,728 S 4/2011 Terleski et al.
- D657,310 S * 4/2012 Fahrendorff D13/110
- D661,249 S * 6/2012 Smith D13/110
- D678,187 S * 3/2013 Huang D13/103
- D682,202 S * 5/2013 Weaver, Jr. D13/108
- D682,213 S 5/2013 Byrne et al.
- D708,129 S * 7/2014 Houghton D13/103



(56)

References Cited

U.S. PATENT DOCUMENTS

D755,129	S	5/2016	Page et al.	
D756,303	S	5/2016	Kellenberger et al.	
D760,647	S *	7/2016	Chen	D13/103
D761,202	S *	7/2016	Aber	D13/108
D761,732	S *	7/2016	Byrne	D13/137.2
D763,790	S *	8/2016	Lei	D13/108
D775,080	S *	12/2016	Newhouse	D13/139.4
D795,190	S *	8/2017	Tzeng	D13/110

FOREIGN PATENT DOCUMENTS

CA	92428	5/2001
CA	104972	5/2005
CA	104970	7/2005
CA	113176	4/2007
CA	113184	4/2007

* cited by examiner

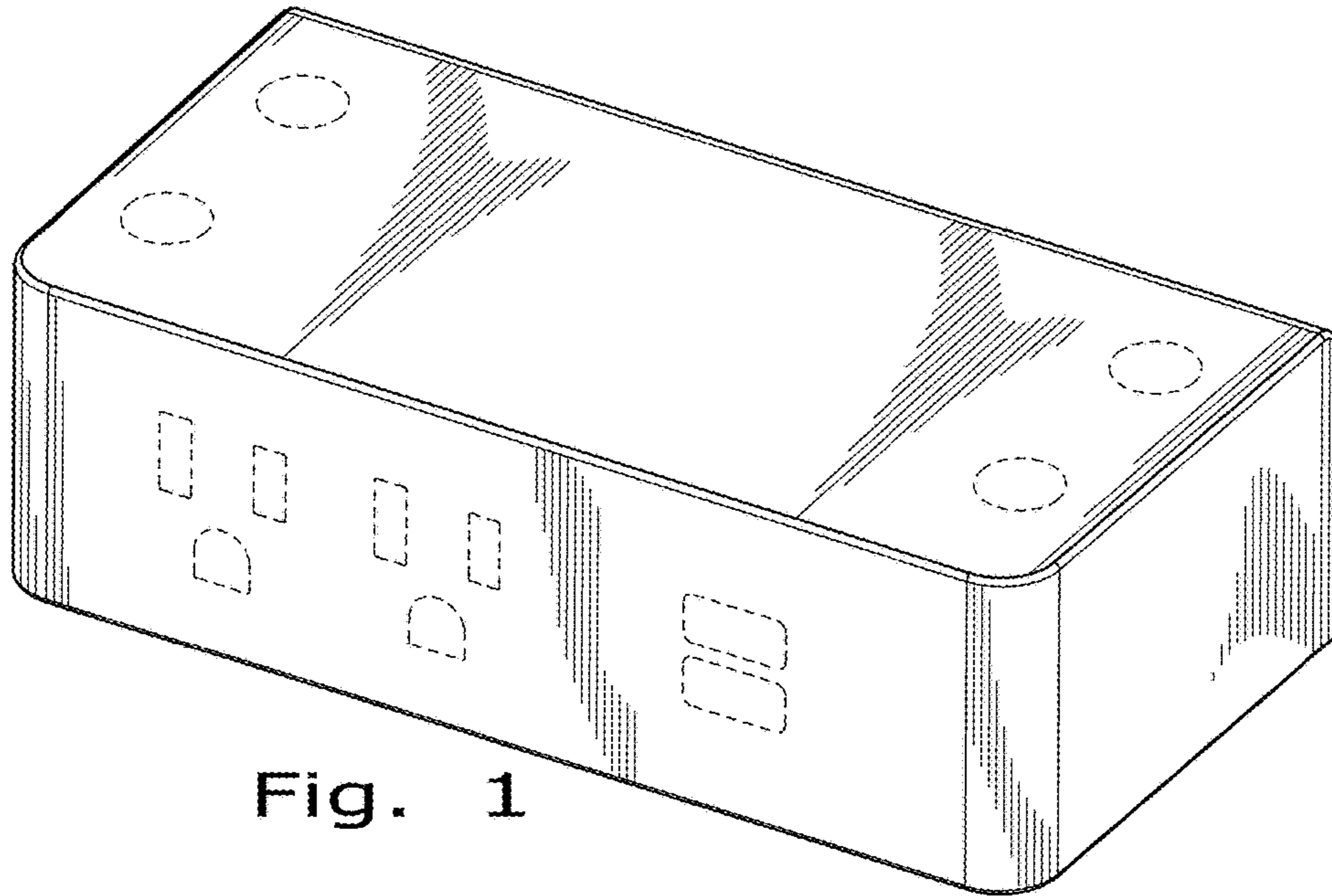


Fig. 1

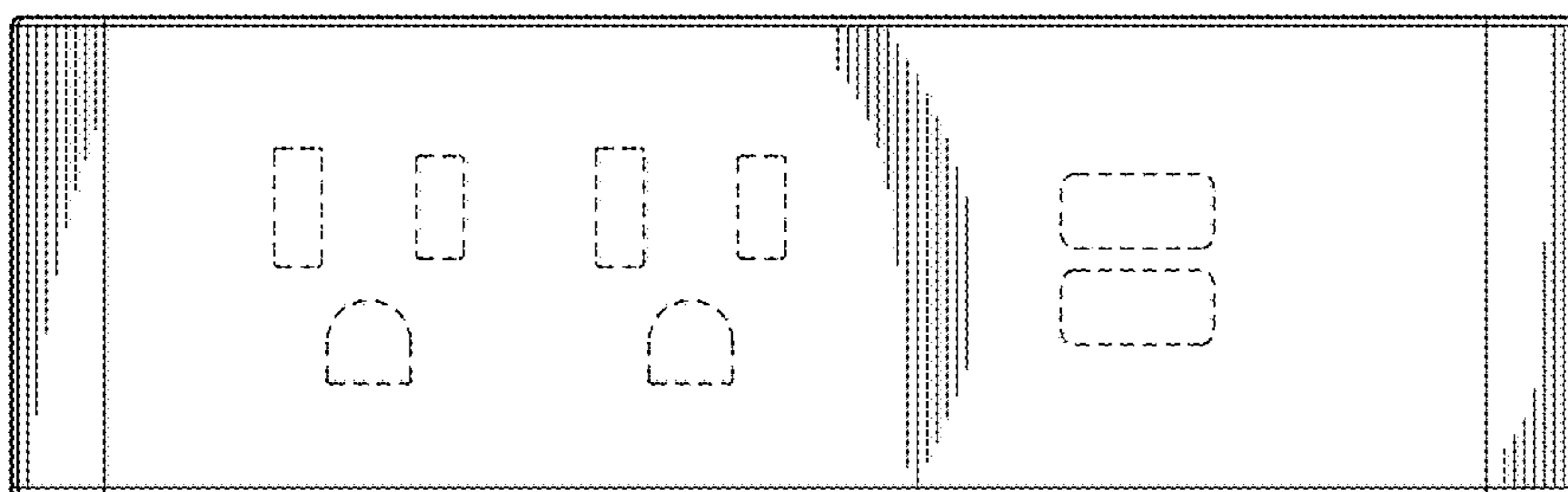


Fig. 2

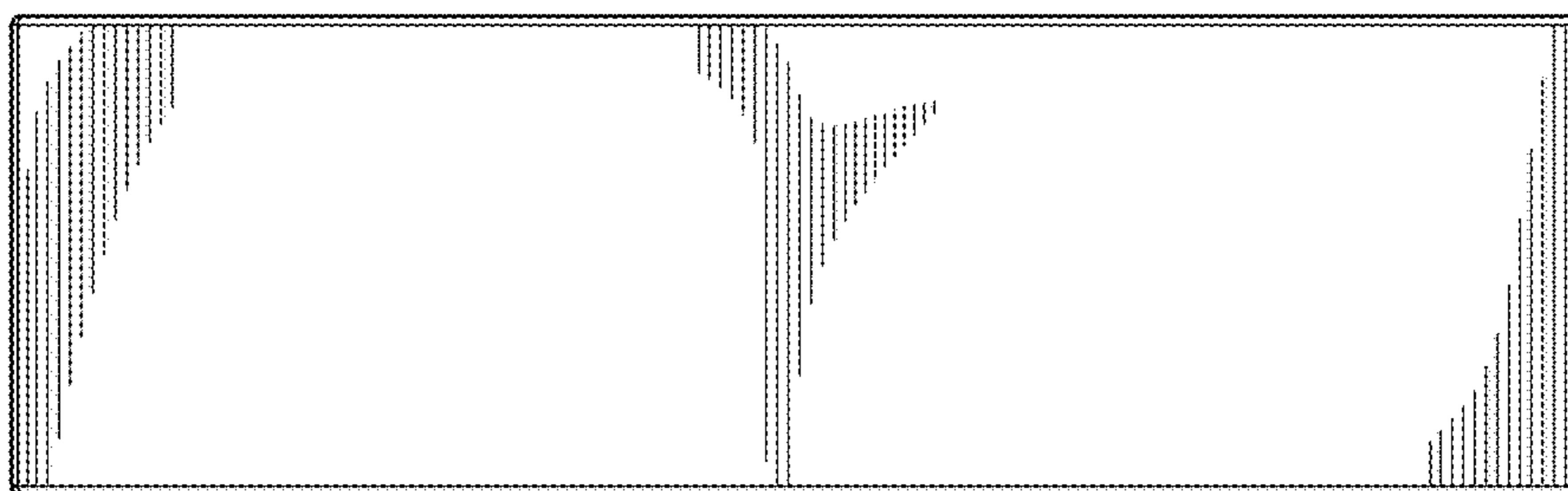


Fig. 3

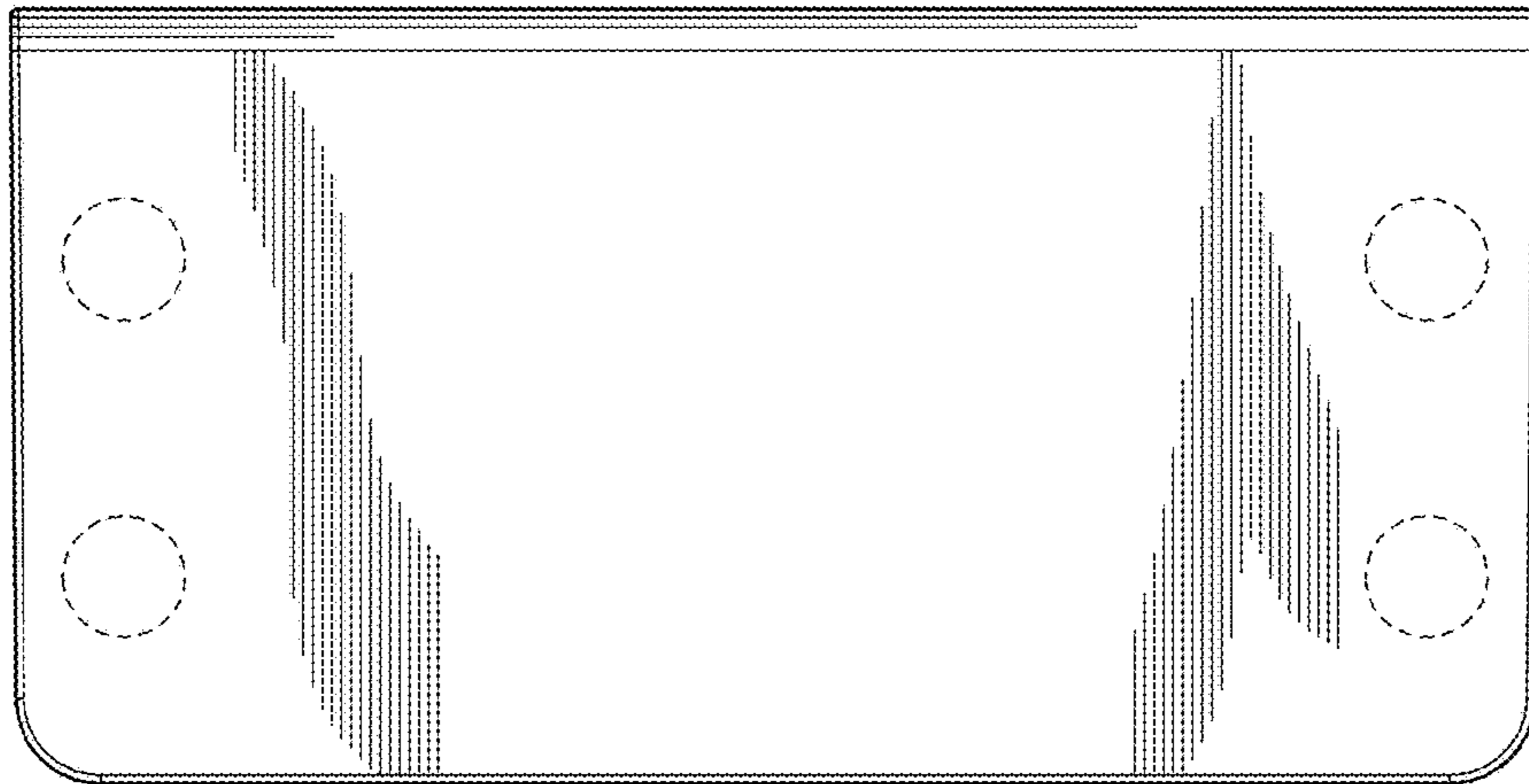


Fig. 4

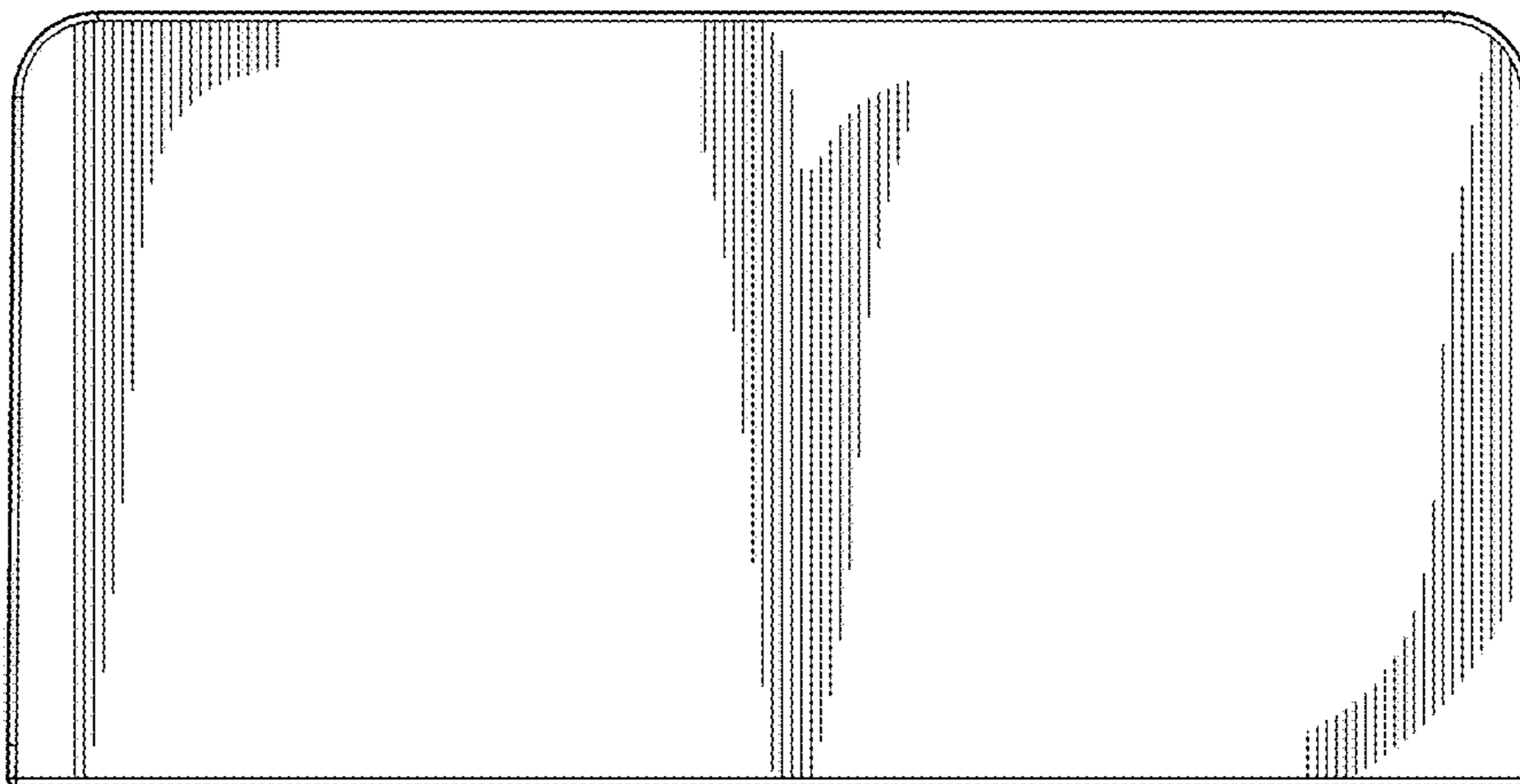


Fig. 5

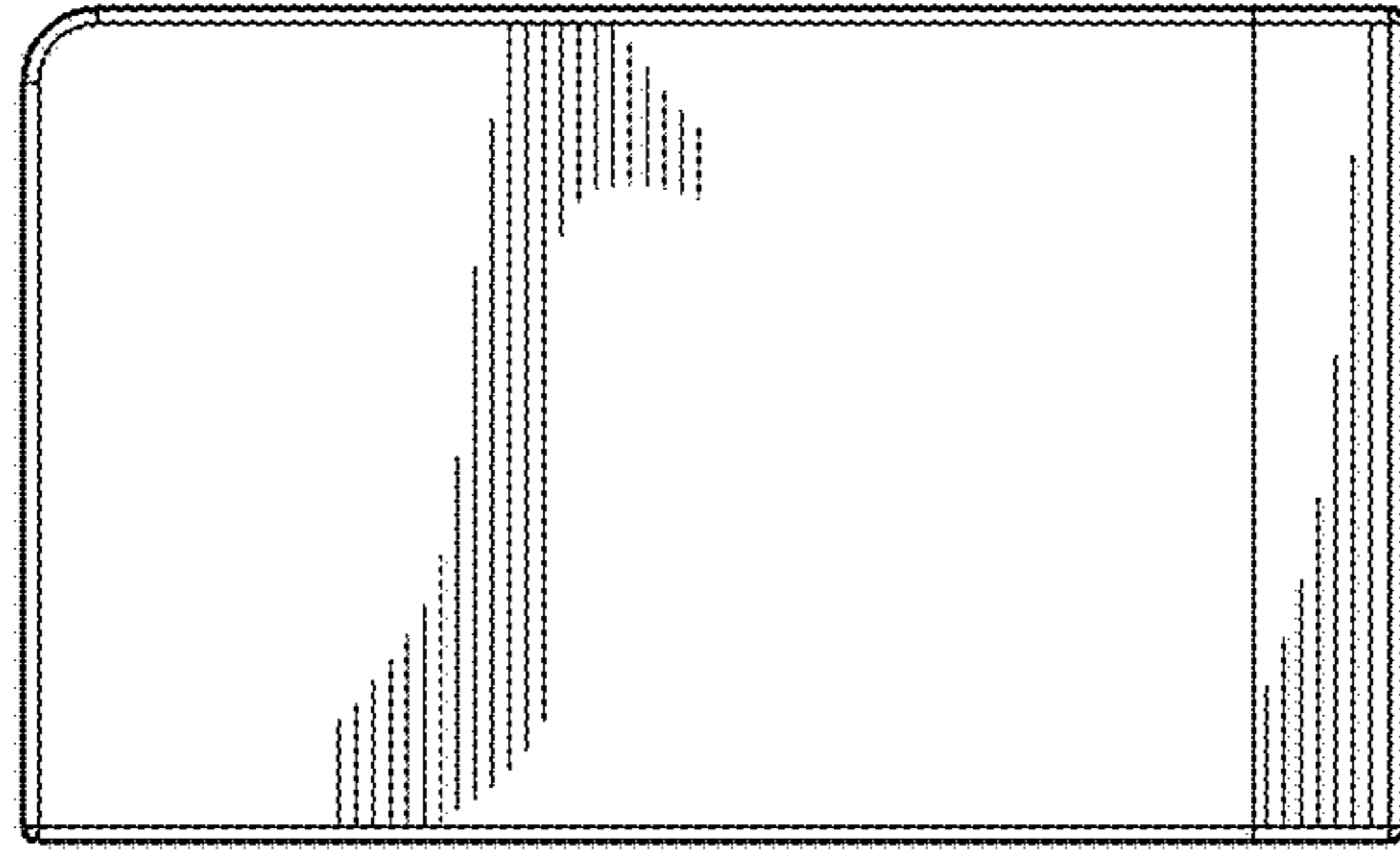


Fig. 6

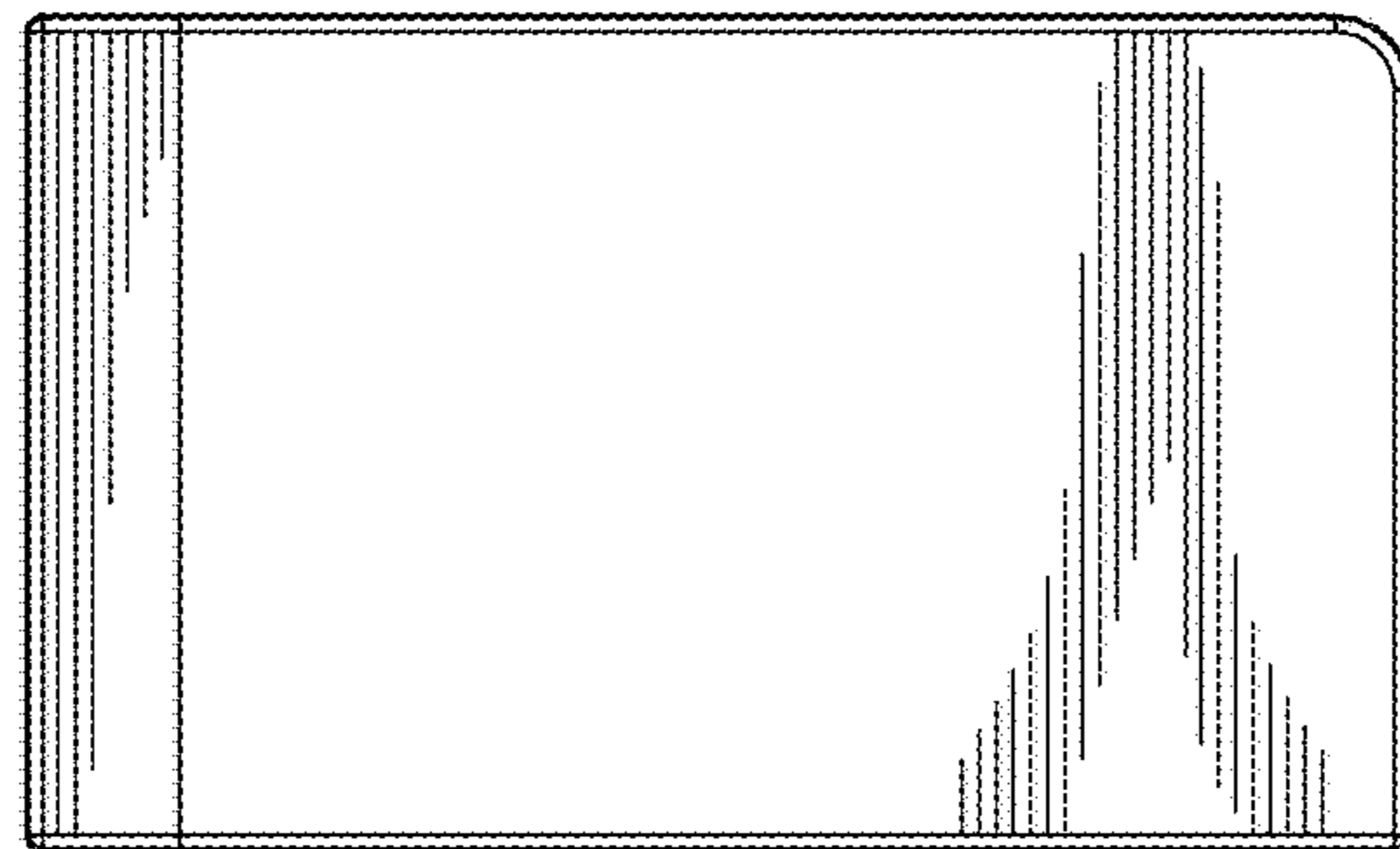


Fig. 7

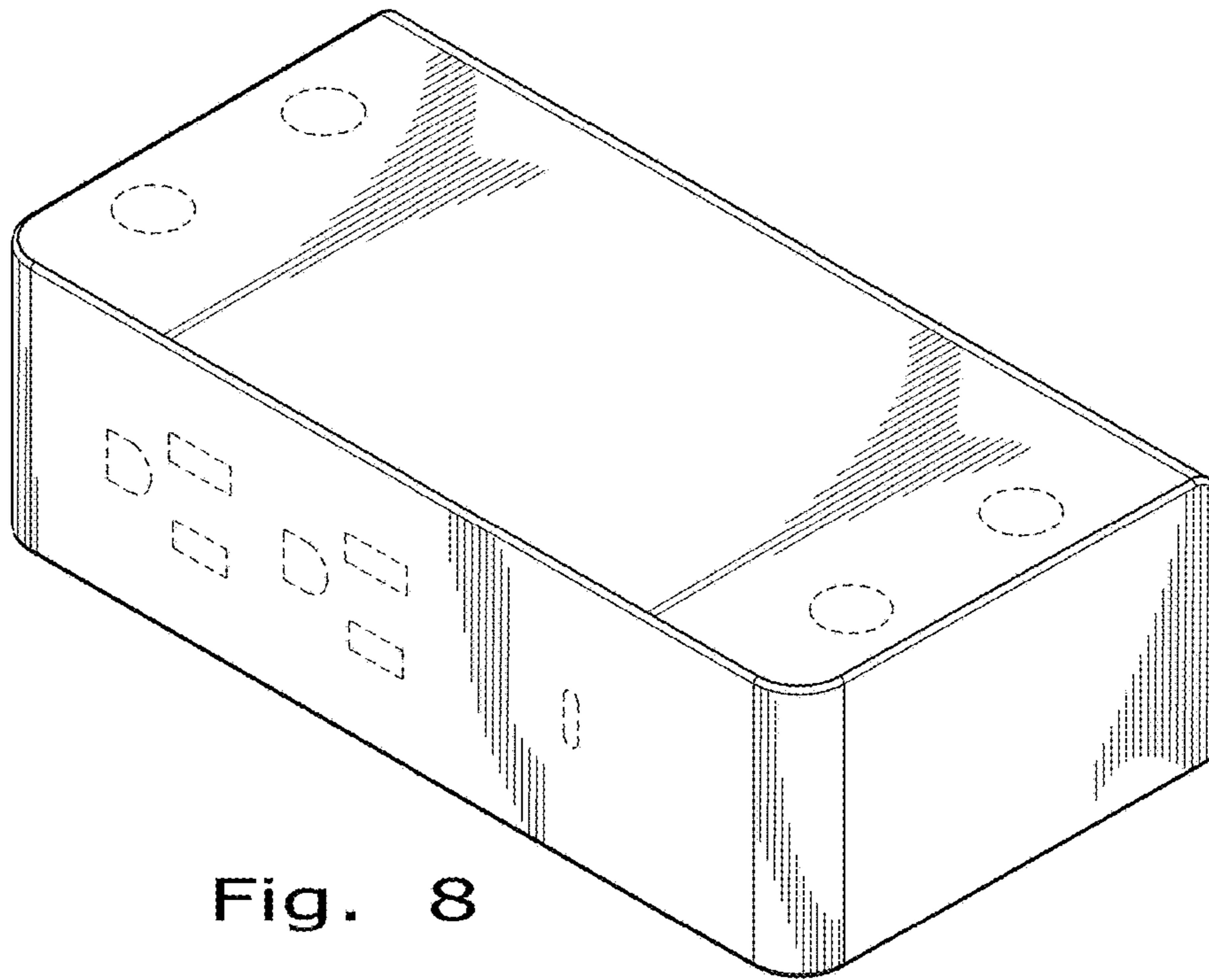


Fig. 8

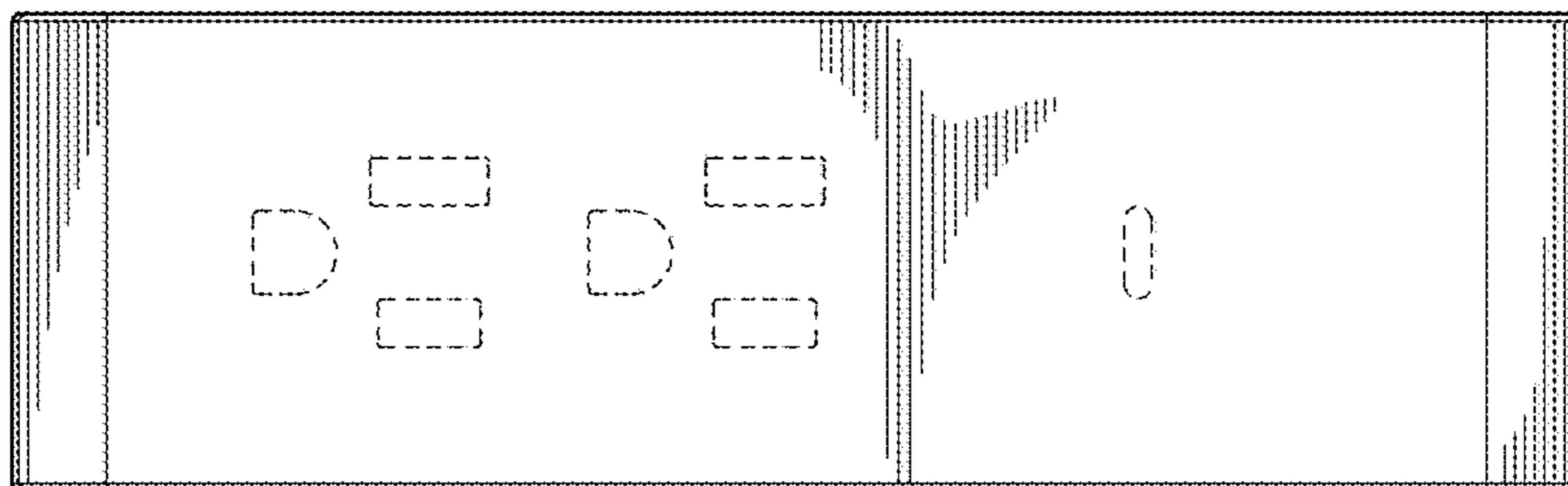


Fig. 9