



US00D812008S

(12) **United States Design Patent**
Miller et al.

(10) **Patent No.:** **US D812,008 S**
(45) **Date of Patent:** **** Mar. 6, 2018**

(54) **FIXTURE FOR RESTRAINING A TURBINE WHEEL**

6,289,952 B1 * 9/2001 Jones B27C 5/02
144/134.1

(71) Applicant: **General Electric Company,**
Schenectady, NY (US)

6,712,104 B1 * 3/2004 Latshaw B23Q 9/0078
144/145.1

(72) Inventors: **Maxwell Evan Miller,** Simpsonville,
SC (US); **Jason Matthew Clark,**
Maryville, TN (US); **Sandra Beverly**
Kolvick, Simpsonville, SC (US)

9,623,492 B2 * 4/2017 Capriotti B23C 3/28
2016/0279722 A1 * 9/2016 Capriotti B23H 3/04

* cited by examiner

(73) Assignee: **General Electric Company,**
Schenectady, NY (US)

Primary Examiner — Cynthia Ramirez
Assistant Examiner — Laura H Yu

(**) Term: **15 Years**

(74) *Attorney, Agent, or Firm* — James W. Pemrick;
Ernest G. Cusick; Frank A. Landgraff

(21) Appl. No.: **29/579,034**

(57) **CLAIM**

(22) Filed: **Sep. 27, 2016**

The ornamental design for a fixture for restraining a turbine wheel, as shown and described.

(51) **LOC (11) Cl.** **13-02**

(52) **U.S. Cl.**
USPC **D13/118**

(58) **Field of Classification Search**
USPC D13/118; 409/110
CPC F01D 25/285; F01D 5/02; F01D 25/243;
F05D 2220/32; F05D 2230/60; F05D
2260/30
See application file for complete search history.

DESCRIPTION

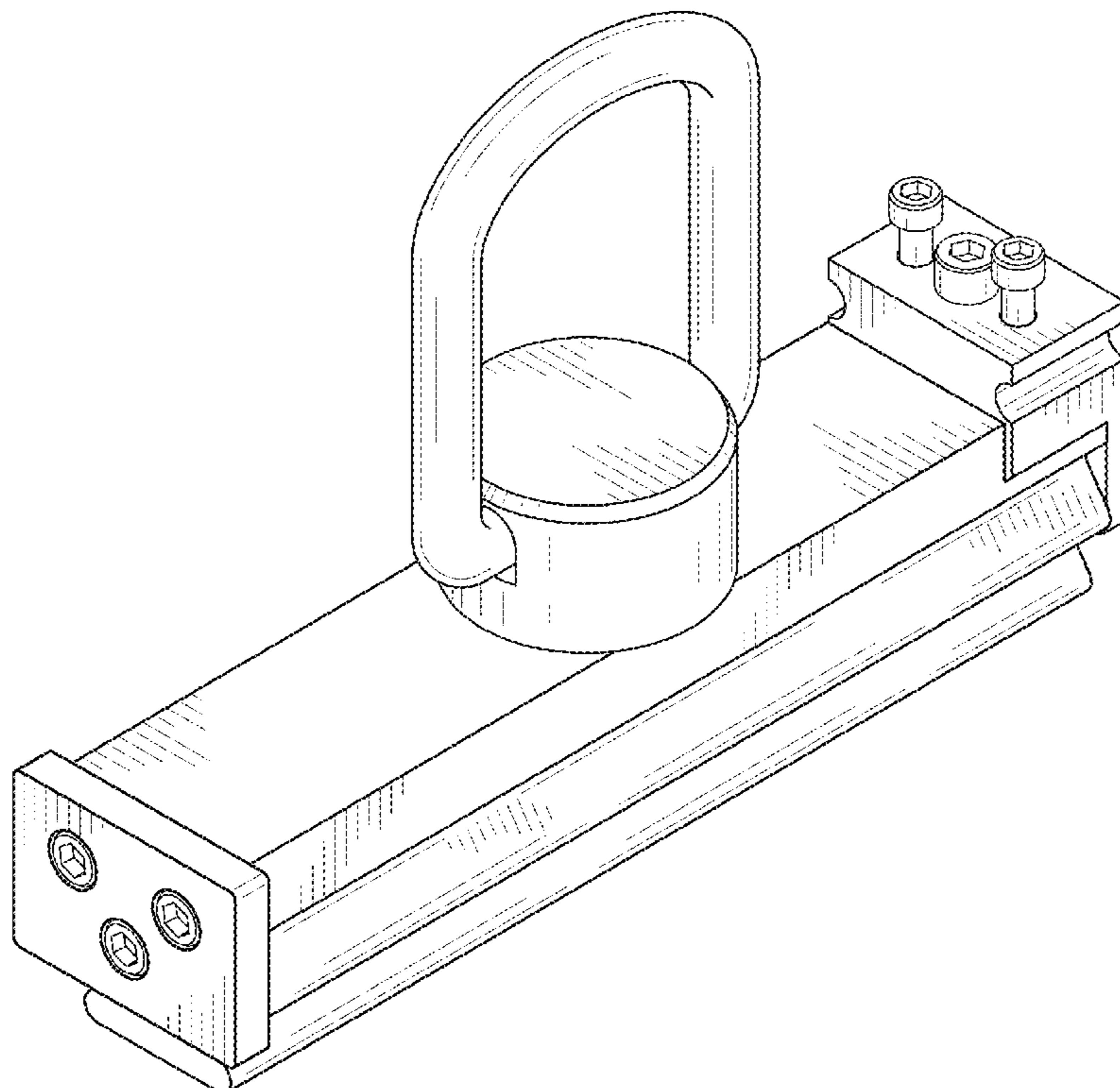
FIG. 1 is a perspective view of a fixture for restraining a turbine wheel showing our new design; FIG. 2 is a side elevational view thereof; FIG. 3 is a top view thereof; FIG. 4 is a bottom view thereof; FIG. 5 is a right side view thereof; and, FIG. 6 is a left side view thereof.

(56) **References Cited**

U.S. PATENT DOCUMENTS

5,284,406 A * 2/1994 Mueller B23B 47/28
408/241 B

1 Claim, 3 Drawing Sheets



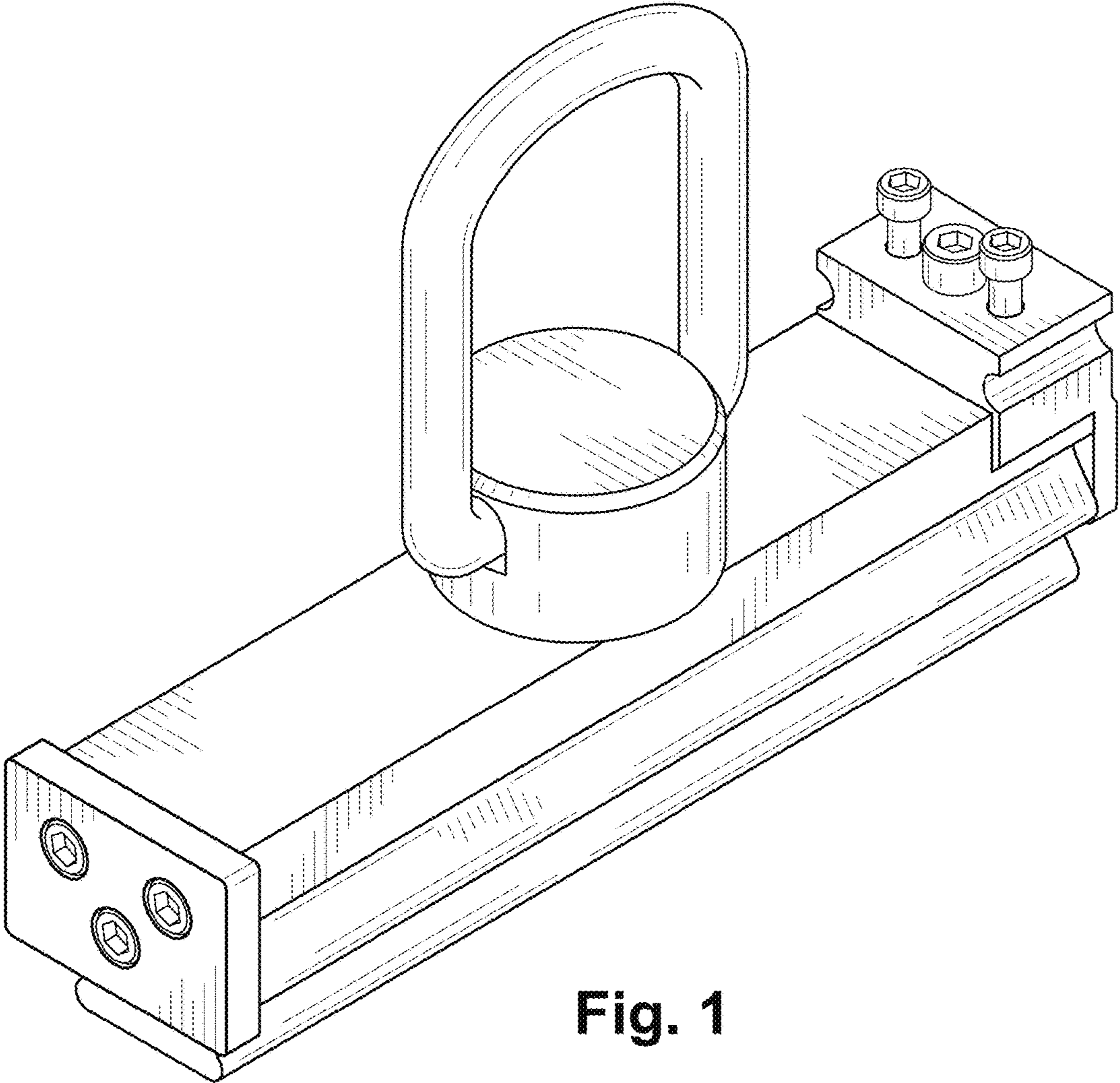


Fig. 1

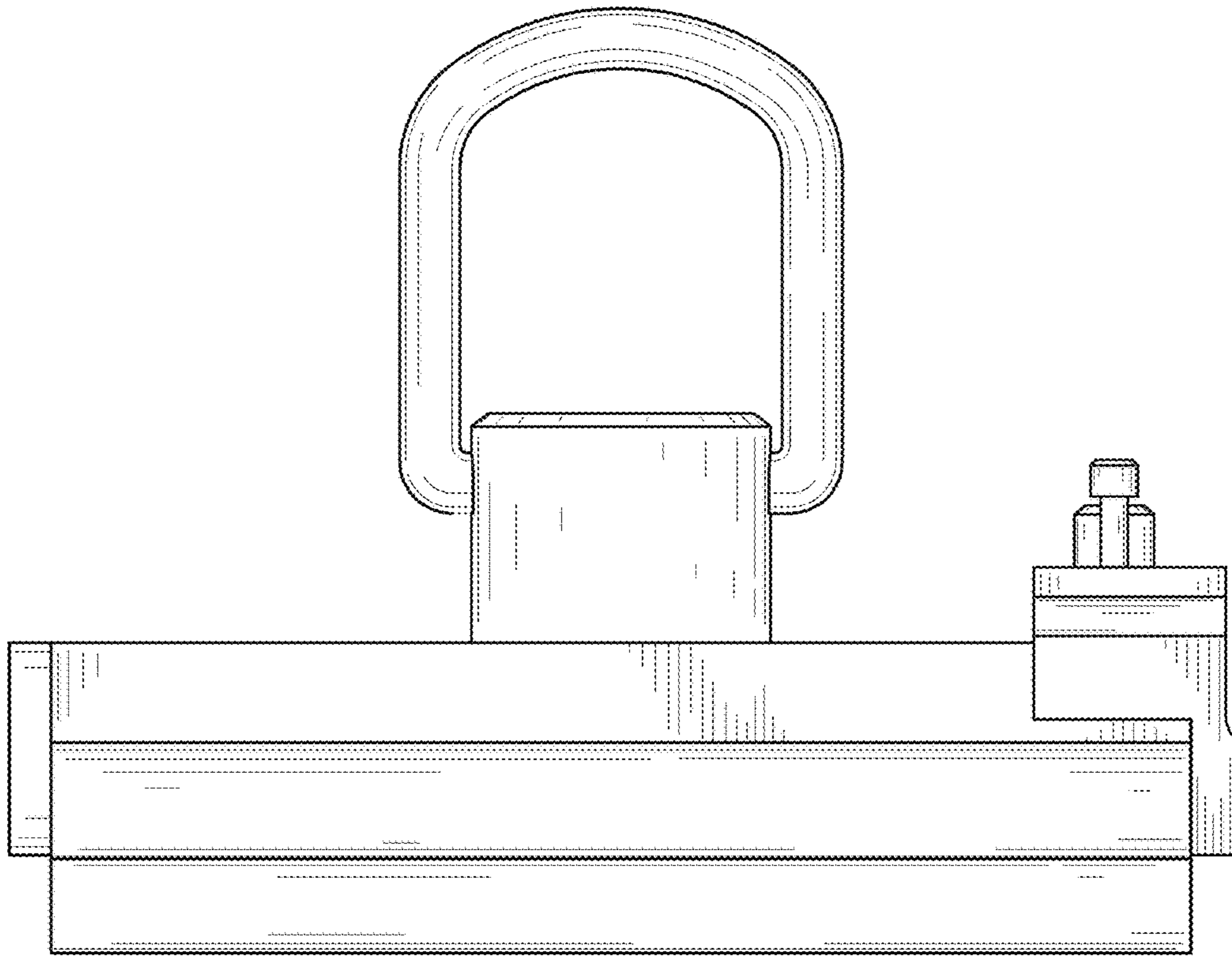


Fig. 2

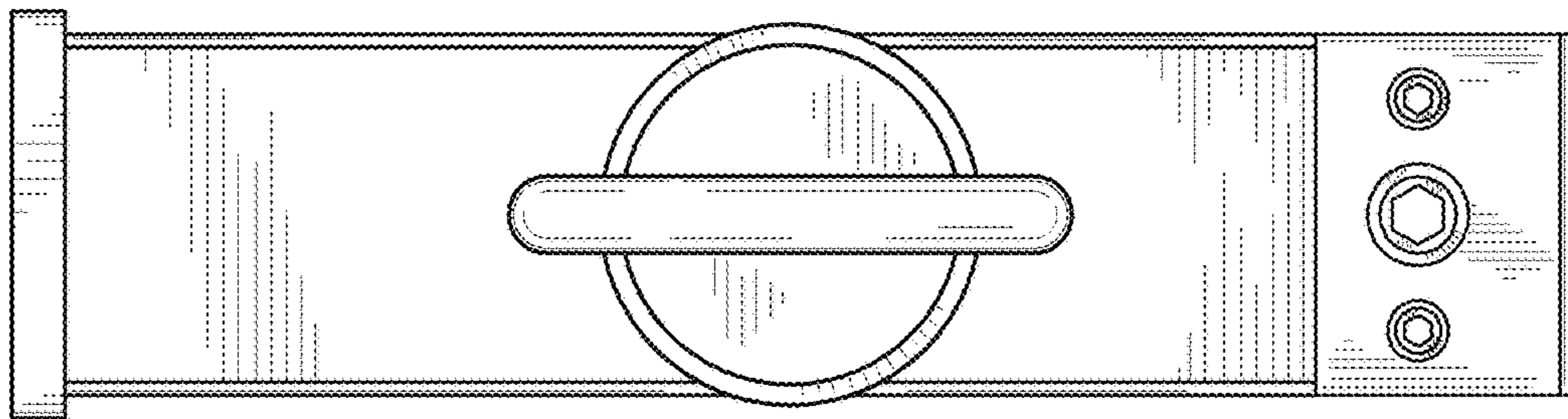


Fig. 3

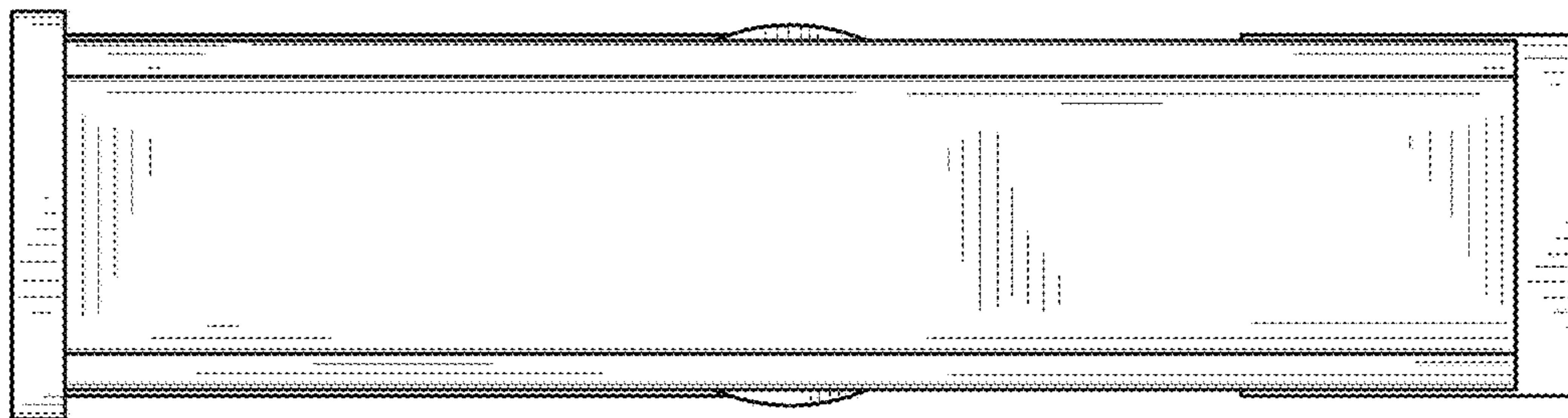


Fig. 4

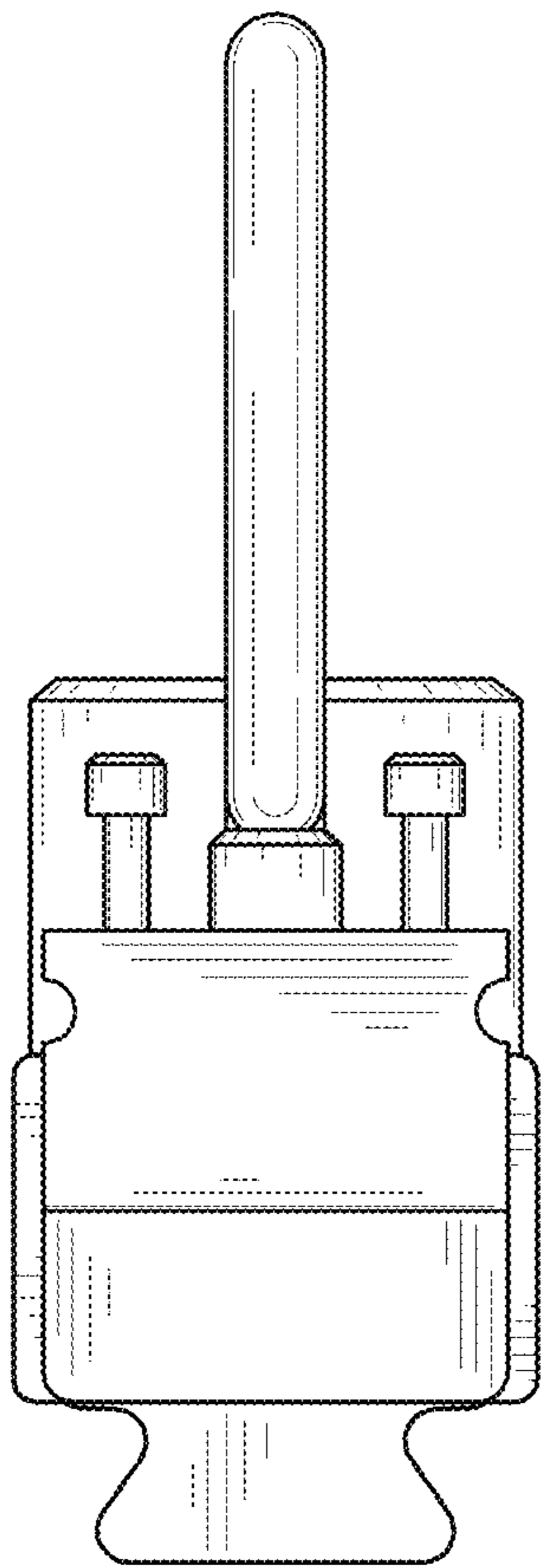


Fig. 5

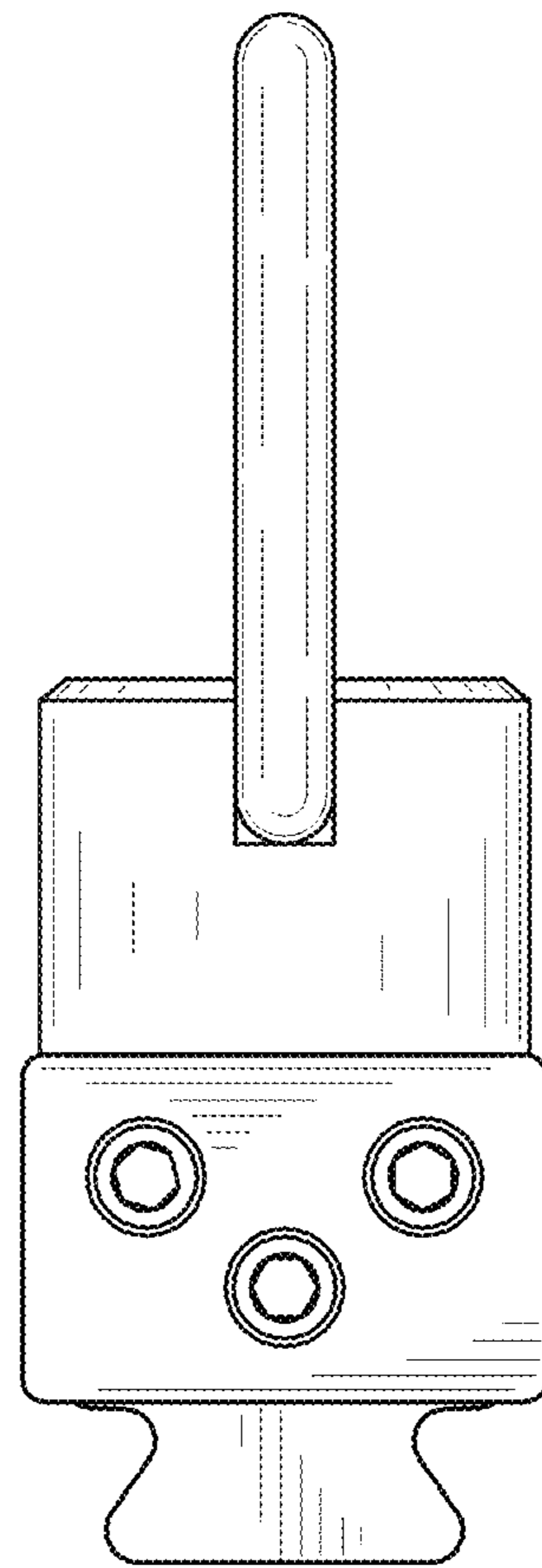


Fig. 6