



US00D812005S

(12) **United States Design Patent**
Lee et al.

(10) **Patent No.:** **US D812,005 S**
(45) **Date of Patent:** **** Mar. 6, 2018**

- (54) **HOME ENERGY MANAGEMENT UNIT**
- (71) Applicant: **LG ELECTRONICS INC.**, Seoul (KR)
- (72) Inventors: **Seungil Lee**, Seoul (KR); **Hophil Lee**, Seoul (KR); **Hyunjin Yoon**, Seoul (KR); **Younghwan Lee**, Seoul (KR)
- (73) Assignee: **LG Electronics Inc.**, Seoul (KR)
- (**) Term: **15 Years**
- (21) Appl. No.: **35/502,270**
- (22) Filed: **Jul. 8, 2016**
- (80) **Hague Agreement Data**
 Int. Filing Date: **Jul. 8, 2016**
 Int. Reg. No.: **DM/091722**
 Int. Reg. Date: **Jul. 8, 2016**
 Int. Reg. Pub. Date: **Jan. 13, 2017**

- D363,722 S * 10/1995 Aldridge D13/184
- D408,823 S * 4/1999 Kirby D13/184
- 6,052,603 A * 4/2000 Kinzalow H04B 1/3877
455/557
- D509,151 S * 9/2005 Takach D10/50
- D556,061 S * 11/2007 Rosen D10/50
- D556,148 S * 11/2007 Champness D13/158
- D584,694 S * 1/2009 Greitzke D13/168
- D596,626 S * 7/2009 Andre D14/240
- D610,097 S * 2/2010 Gandini D13/171
- D626,099 S * 10/2010 Huang D14/125
- D644,222 S * 8/2011 Woo D14/365
- 8,519,566 B2 * 8/2013 Recker H02J 9/065
307/64
- D705,201 S * 5/2014 Isaacs D14/240
- D705,989 S * 5/2014 Levi D24/133
- D705,992 S * 5/2014 Levi D24/133
- D715,228 S * 10/2014 Lee D13/158
- D772,085 S * 11/2016 Howe D10/50
- D776,873 S * 1/2017 Levi D24/133
- D780,728 S * 3/2017 Shin D14/242

(Continued)

Primary Examiner — Rhea Shields
(74) *Attorney, Agent, or Firm* — Birch, Stewart, Kolasch & Birch, LLP

- (30) **Foreign Application Priority Data**
Jan. 11, 2016 (KR) 30-2016-0001235
- (51) **LOC (11) Cl.** **13-02**
- (52) **U.S. Cl.**
USPC **D13/110**
- (58) **Field of Classification Search**
USPC D13/110, 102, 158, 184, 168, 171;
D10/106.1, 50; D24/133; D14/240, 125,
D14/365, 242; 307/64; 705/2; 455/557
CPC H04B 1/3877; H02J 9/065; A61N 1/37258
See application file for complete search history.

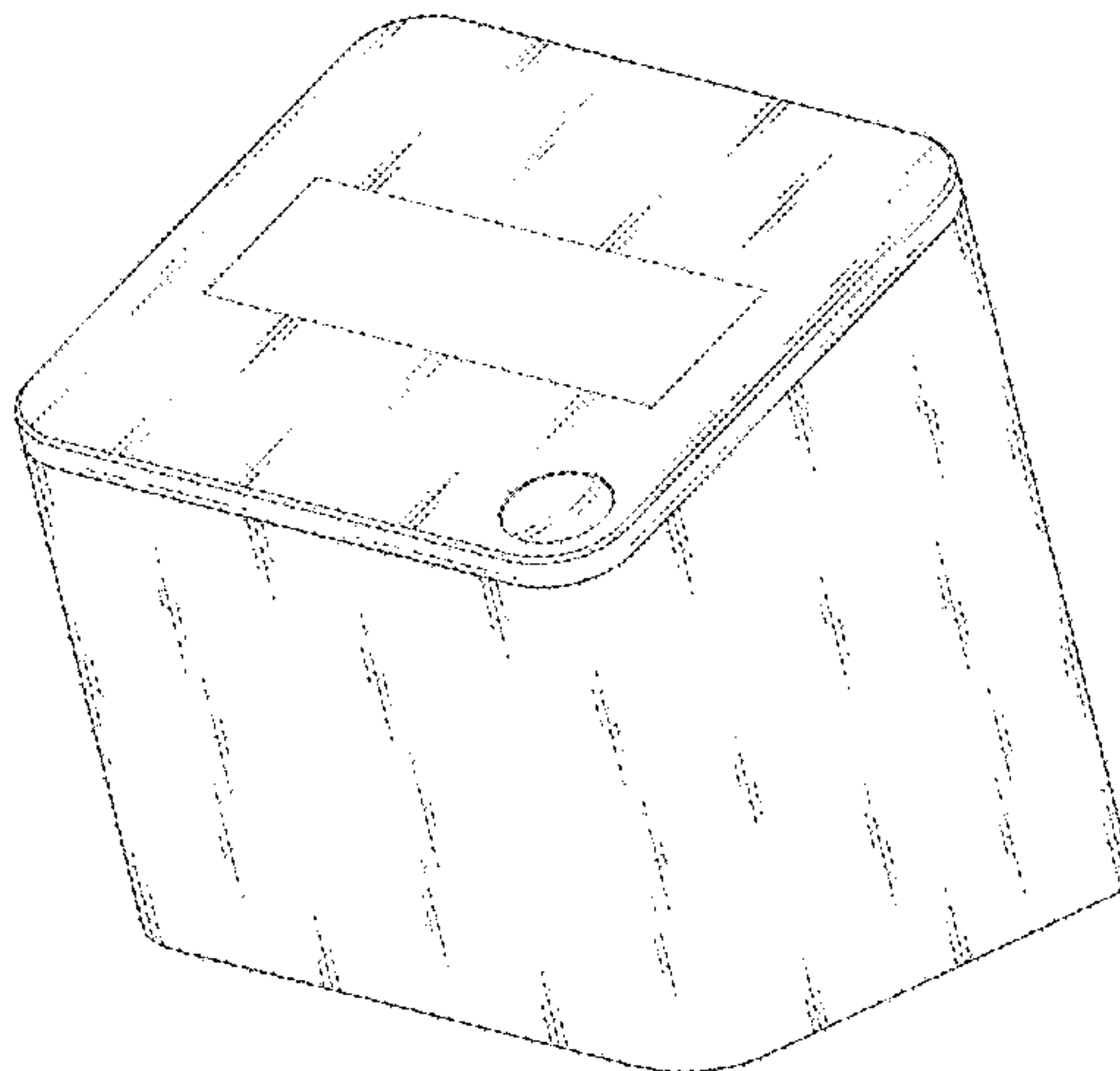
- (56) **References Cited**
U.S. PATENT DOCUMENTS
D255,030 S * 5/1980 Holce D13/158
D255,482 S * 6/1980 Trautner D13/102
D305,881 S * 2/1990 Bergeron D10/106.1

- (57) **CLAIM**
The ornamental design for a home energy management unit, as shown and described.

DESCRIPTION

- 1. Home energy management unit
 - 1.1 is a front top perspective view;
 - 1.2 is a front view;
 - 1.3 is a rear view;
 - 1.4 is side view;
 - 1.5 is a side view;
 - 1.6 is a top view and
 - 1.7 is a bottom view.
- In the drawings, the broken lines are for the purpose of illustrating environment only and form no part of the claimed design.

1 Claim, 7 Drawing Sheets



(56)

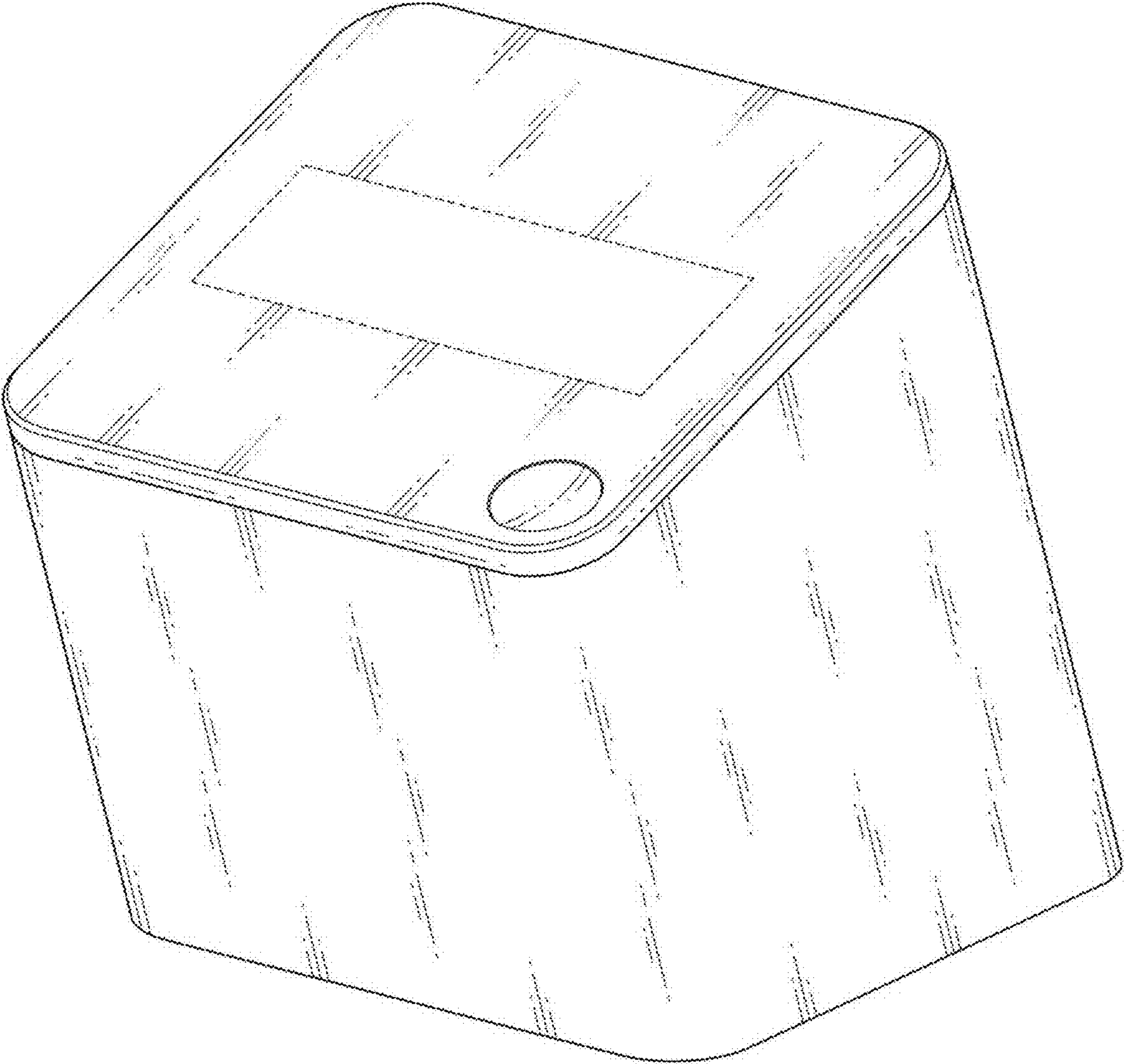
References Cited

U.S. PATENT DOCUMENTS

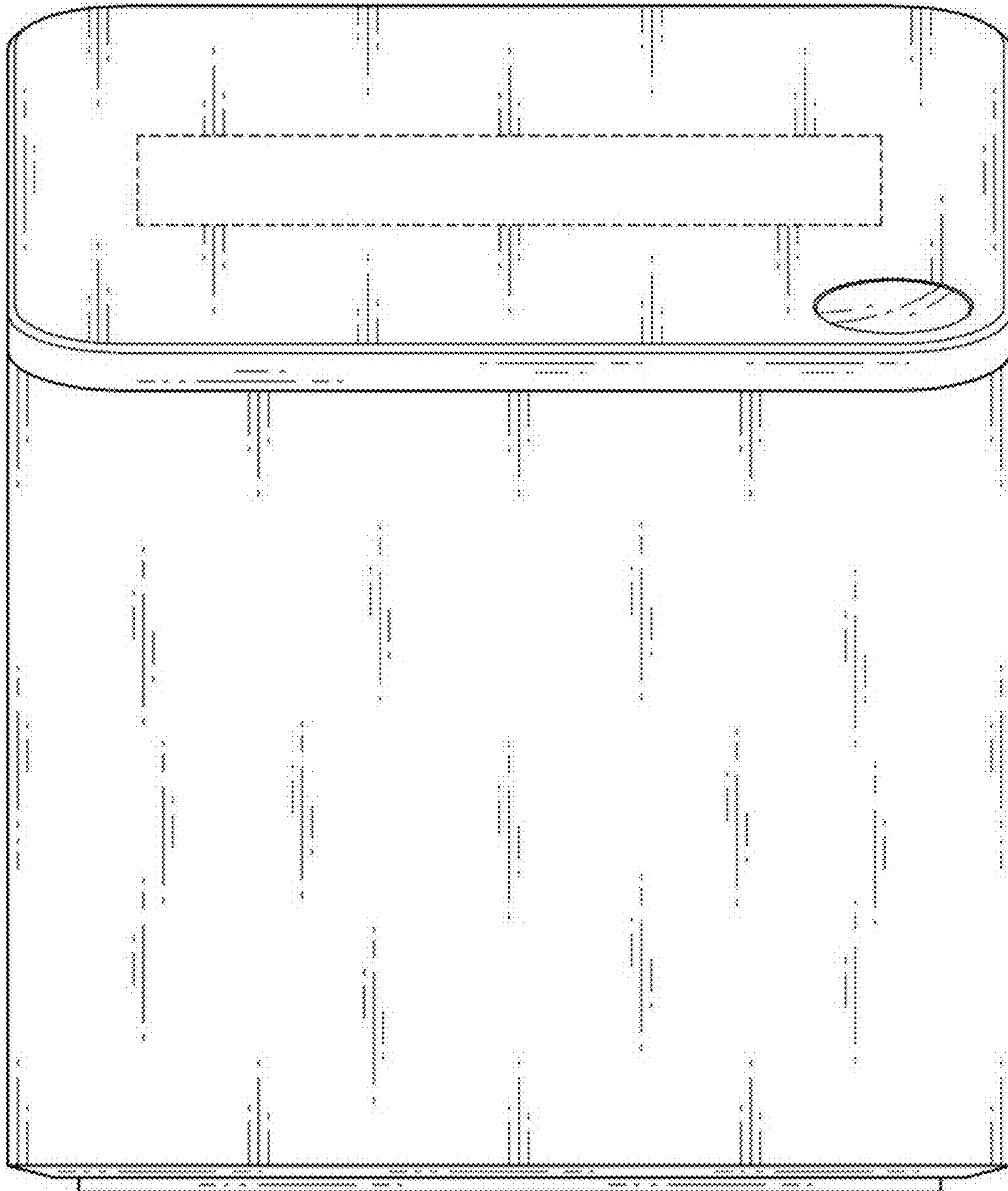
D789,604 S * 6/2017 Levi D24/133
2005/0241026 A1 * 10/2005 Esler A61N 1/37258
705/2

* cited by examiner

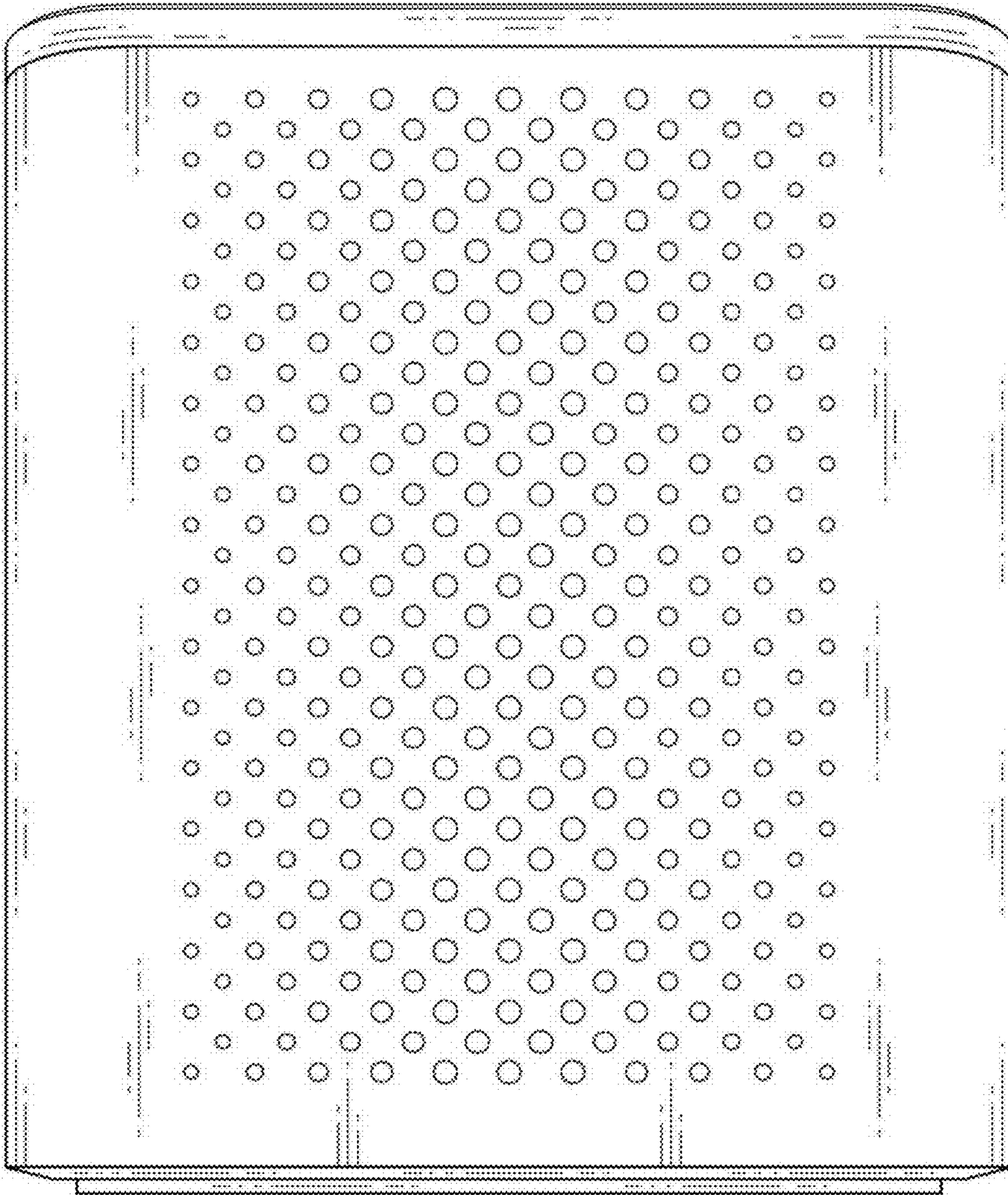
1.1



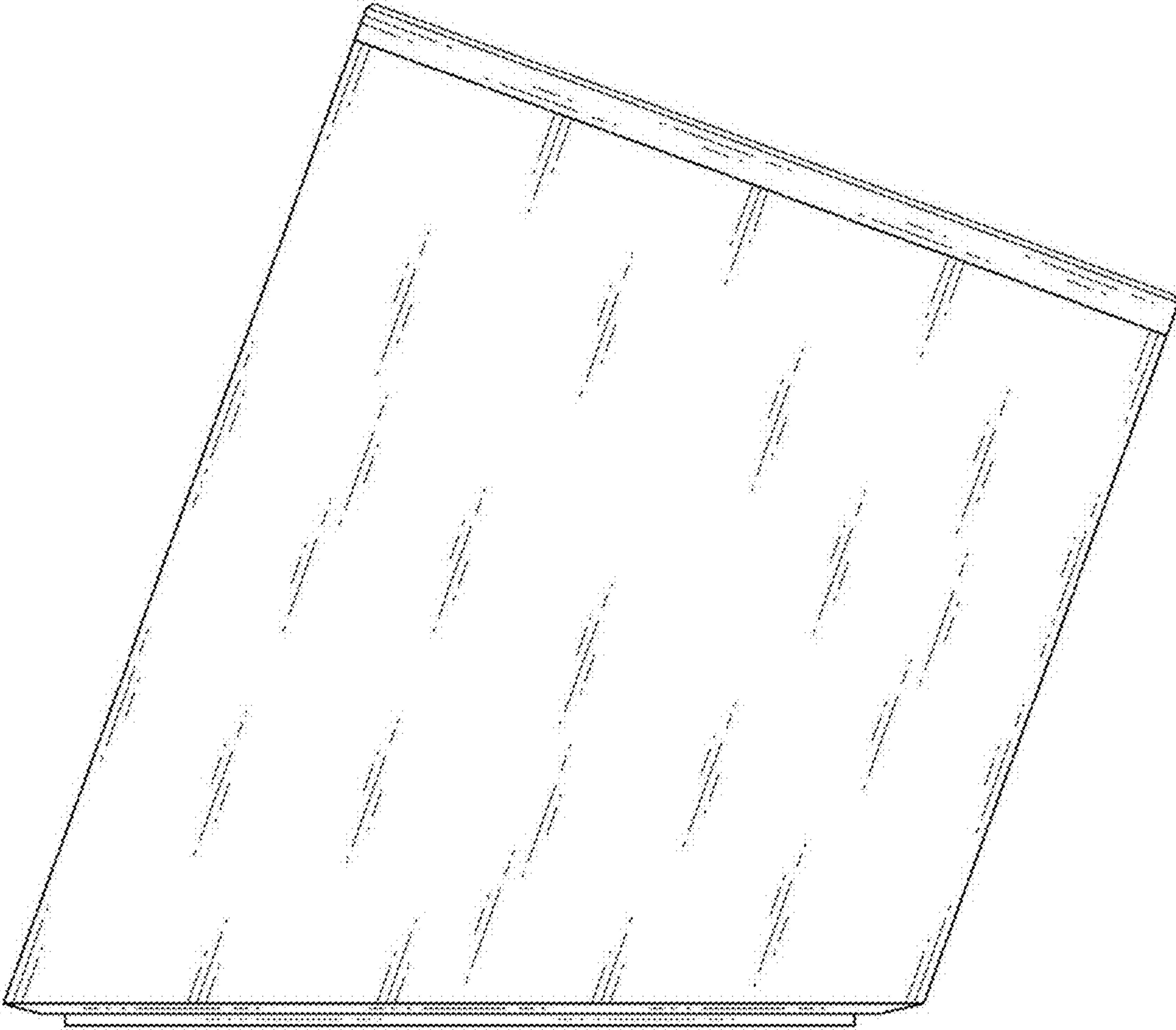
1.2



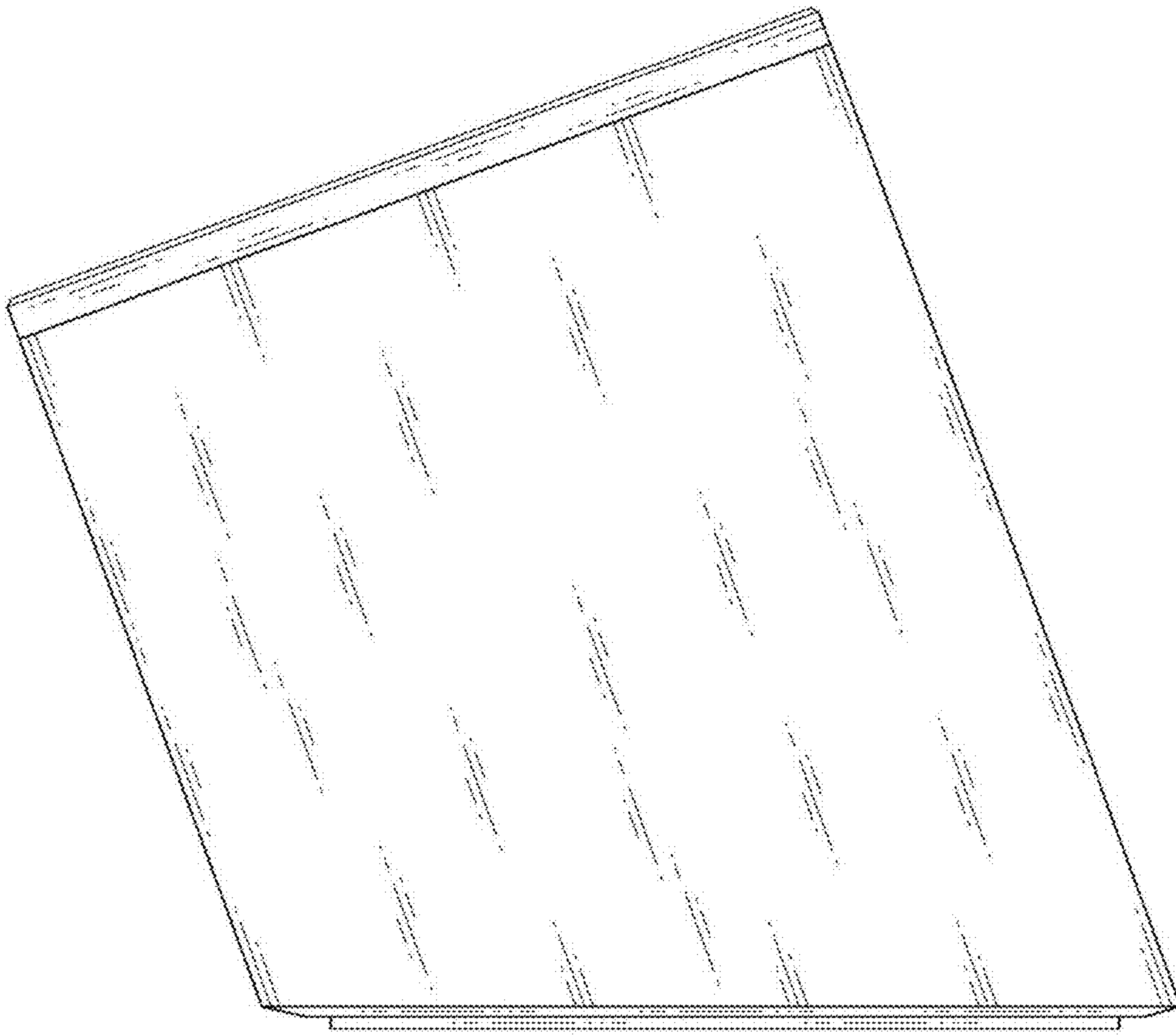
1.3



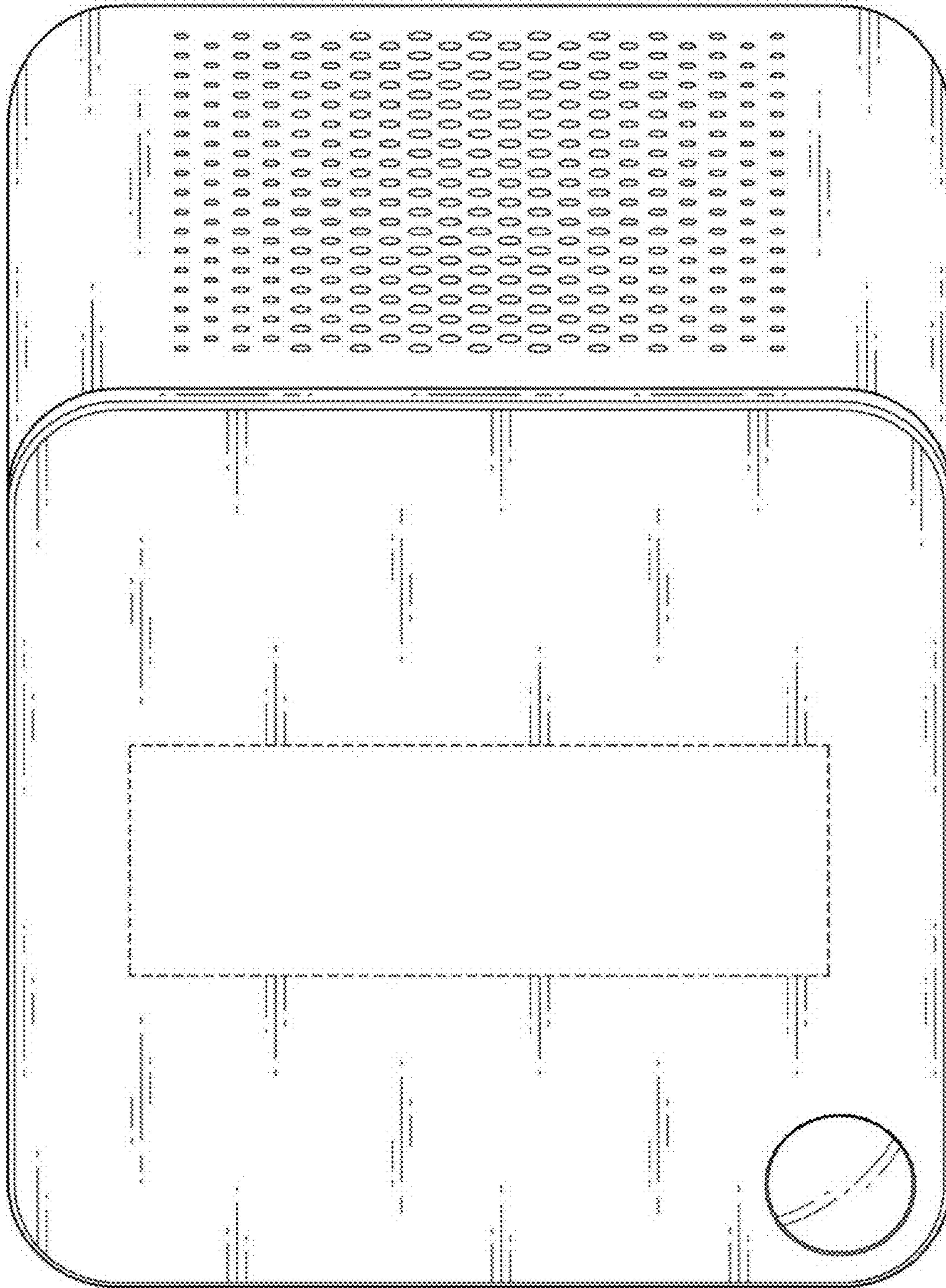
1.4



1.5



1.6



1.7

