



US00D812001S

(12) **United States Design Patent**
Marcoz

(10) **Patent No.:** **US D812,001 S**
(45) **Date of Patent:** **** Mar. 6, 2018**

(54) **CURRENT TRANSDUCER**

- (71) Applicant: **LEM Intellectual Property SA**,
Fribourg (CH)
- (72) Inventor: **Benjamin Marcoz**, Beaumont (FR)
- (73) Assignee: **LEM INTELLECTUAL PROPERTY SA**, Fribourg (CH)
- (**) Term: **14 Years**
- (21) Appl. No.: **29/516,496**
- (22) Filed: **Feb. 3, 2015**
- (30) **Foreign Application Priority Data**

- Aug. 27, 2014 (WO) 835662601
- (51) **LOC (11) Cl.** **13-02**
- (52) **U.S. Cl.**
USPC **D13/110**
- (58) **Field of Classification Search**
USPC D13/110, 101, 117, 123, 124, 159, 182,
D13/184, 199; D10/75; 73/767, 771,
73/779, 801, 811; 324/117 H, 117 R,
324/120, 121 R, 127; 361/18, 30, 31,
361/93.1-93.9; 367/140;
369/13.11-13.13; 381/150; 336/173,
336/176, 178
CPC H01R 13/5812; G01R 33/06; G01R 15/20;
G01R 15/202; G01R 19/18; G01R 19/20;
G01R 19/22; G01R 19/0084; G01R
19/0092; G01R 19/00; G01R 5/20; G01R
5/22; G01R 5/24; G01R 5/26
See application file for complete search history.

(56) **References Cited**

U.S. PATENT DOCUMENTS

- D260,877 S * 9/1981 Scott D13/110
- D288,314 S * 2/1987 Makinson D13/110
- D494,078 S 8/2004 Vuillermoz
- D534,120 S * 12/2006 Ricci D13/110

(Continued)

FOREIGN PATENT DOCUMENTS

- CN ZL-03303685.3 7/2003
- GB 3010841 2/2003

(Continued)

Primary Examiner — Derrick Holland

(74) *Attorney, Agent, or Firm* — Harness, Dickey & Pierce, P.L.C.

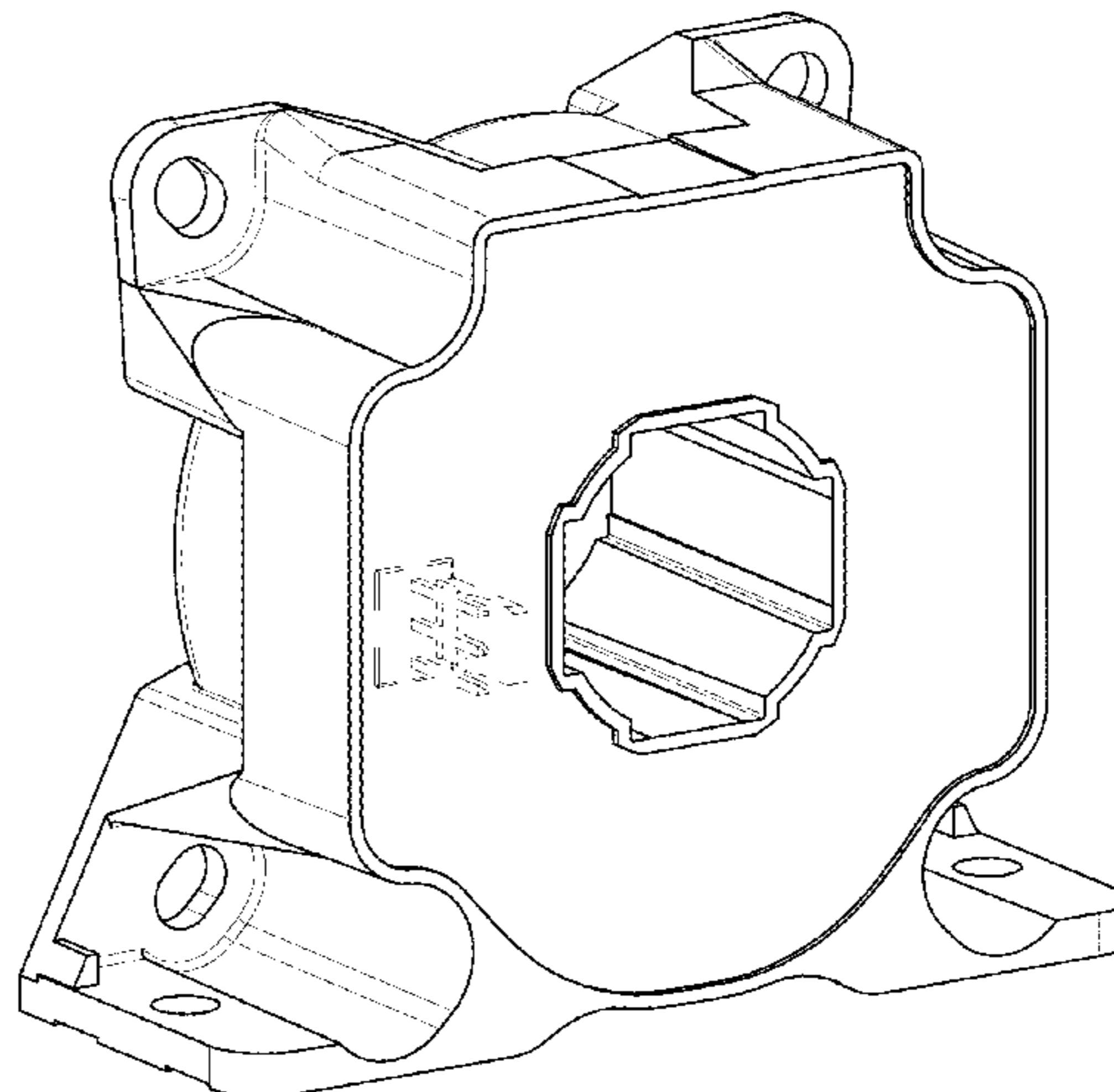
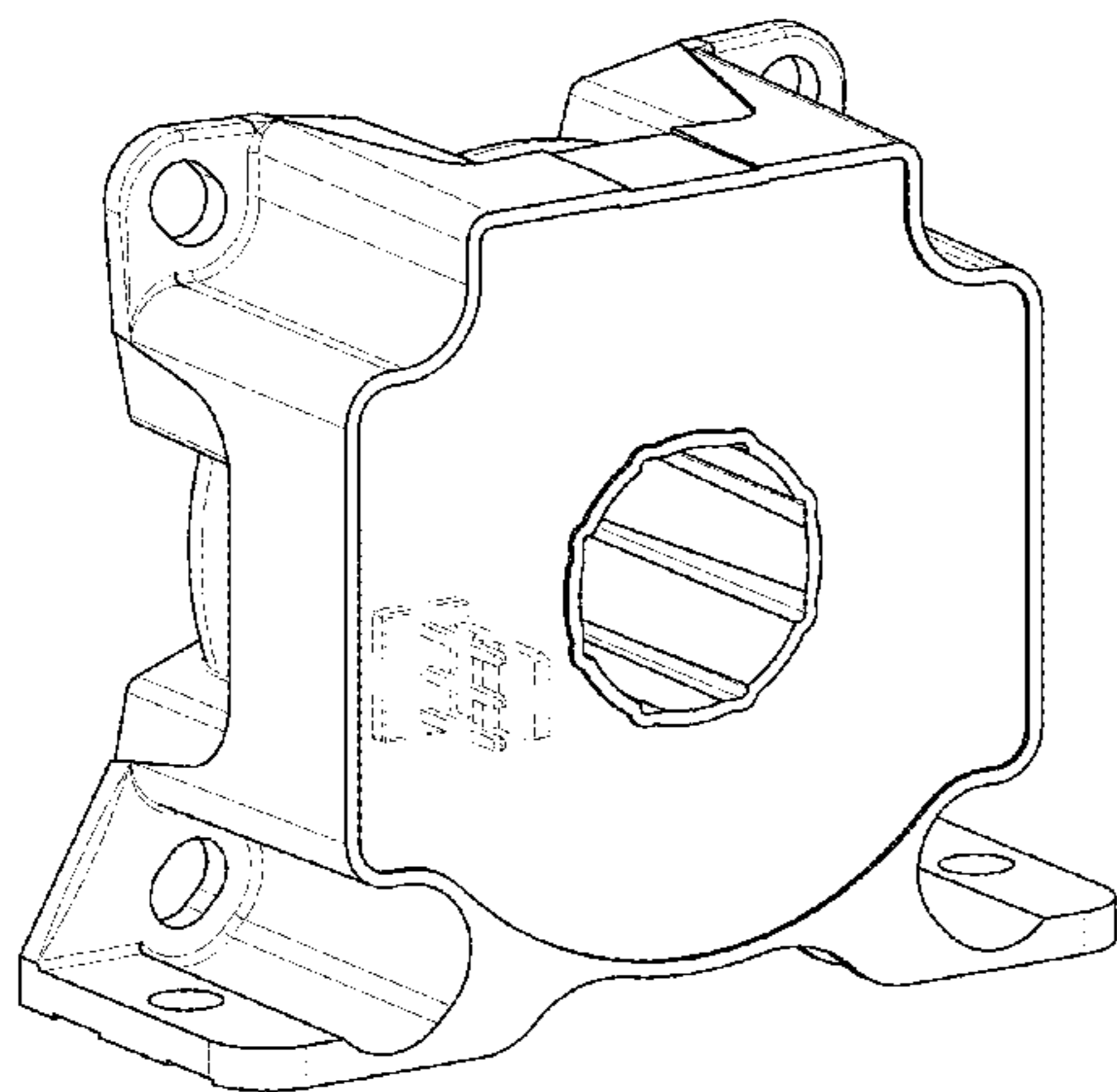
(57) **CLAIM**

The ornamental design for a current transducer, as shown and described.

DESCRIPTION

FIG. 1 is a top front perspective view of a first embodiment of a current transducer showing my new design; FIG. 2 is a bottom rear perspective view thereof; FIG. 3 is a front view thereof; FIG. 4 is a rear view thereof; FIG. 5 is a left side view thereof; FIG. 6 is a right side view thereof; FIG. 7 is a top plan view thereof; and FIG. 8 is a bottom plan view thereof. FIG. 9 is a top front perspective view of a second embodiment of a current transducer showing my new design; FIG. 10 is a bottom rear perspective view thereof; FIG. 11 is a front view thereof; FIG. 12 is a rear view thereof; FIG. 13 is a left side view thereof; FIG. 14 is a right side view thereof; FIG. 15 is a top plan view thereof; and, FIG. 16 is a bottom plan view thereof. The broken lines depict environmental subject matter only and form no part of the claimed design.

1 Claim, 13 Drawing Sheets



(56)

References Cited

U.S. PATENT DOCUMENTS

7,598,601 B2 * 10/2009 Taylor G01R 15/207
174/536
D610,087 S * 2/2010 Johnson D13/110
D685,325 S * 7/2013 Hayashi D13/110
D685,734 S * 7/2013 Sage D13/110
D686,156 S * 7/2013 Ye D13/110
D688,626 S * 8/2013 Ye D13/110
8,587,399 B2 * 11/2013 Crutcher H01F 27/24
336/173
D751,034 S * 3/2016 Ye D13/110

FOREIGN PATENT DOCUMENTS

JP 1195975 12/2003
WO DM-062779 1/2003

* cited by examiner

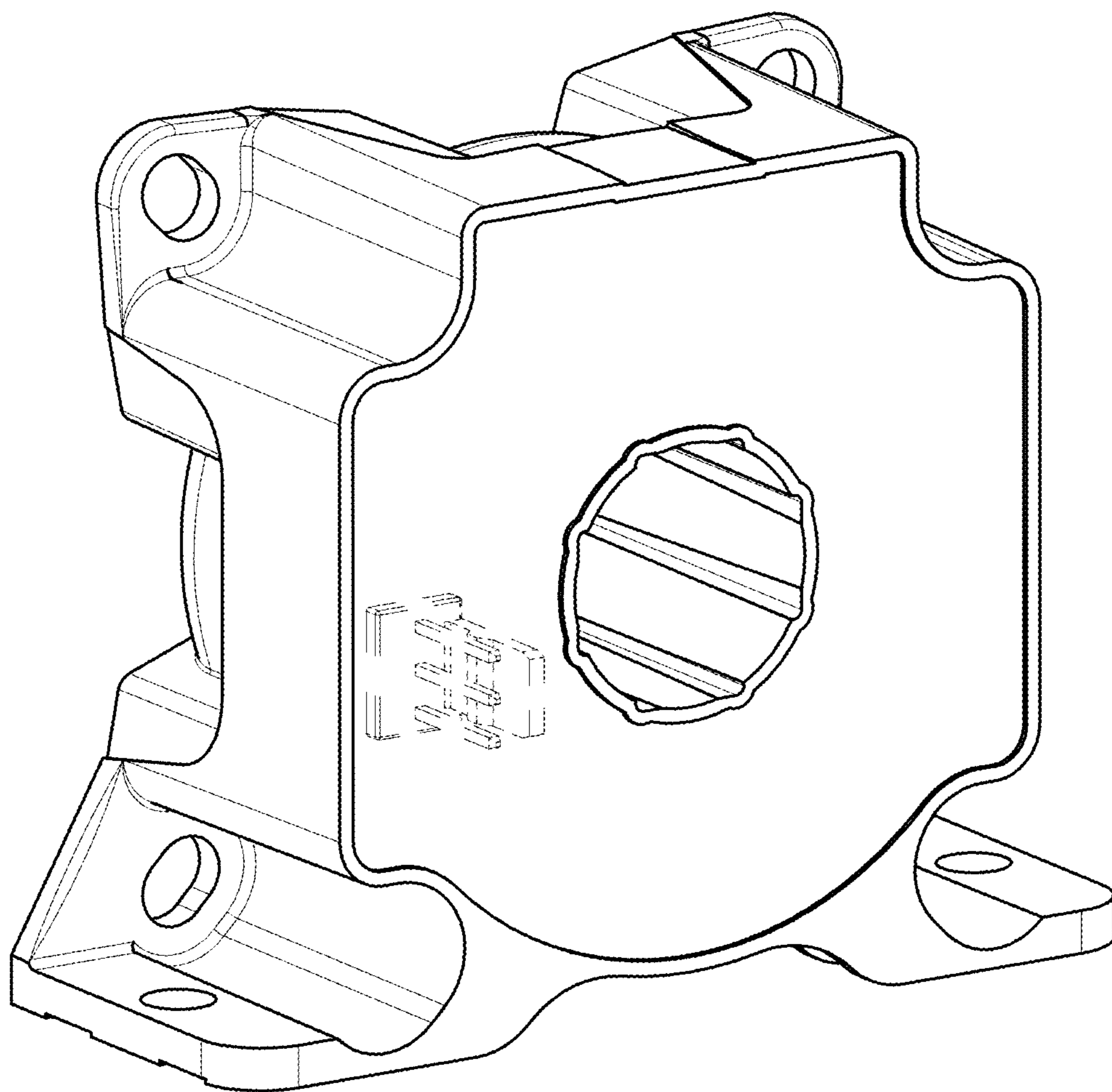


FIG. 1

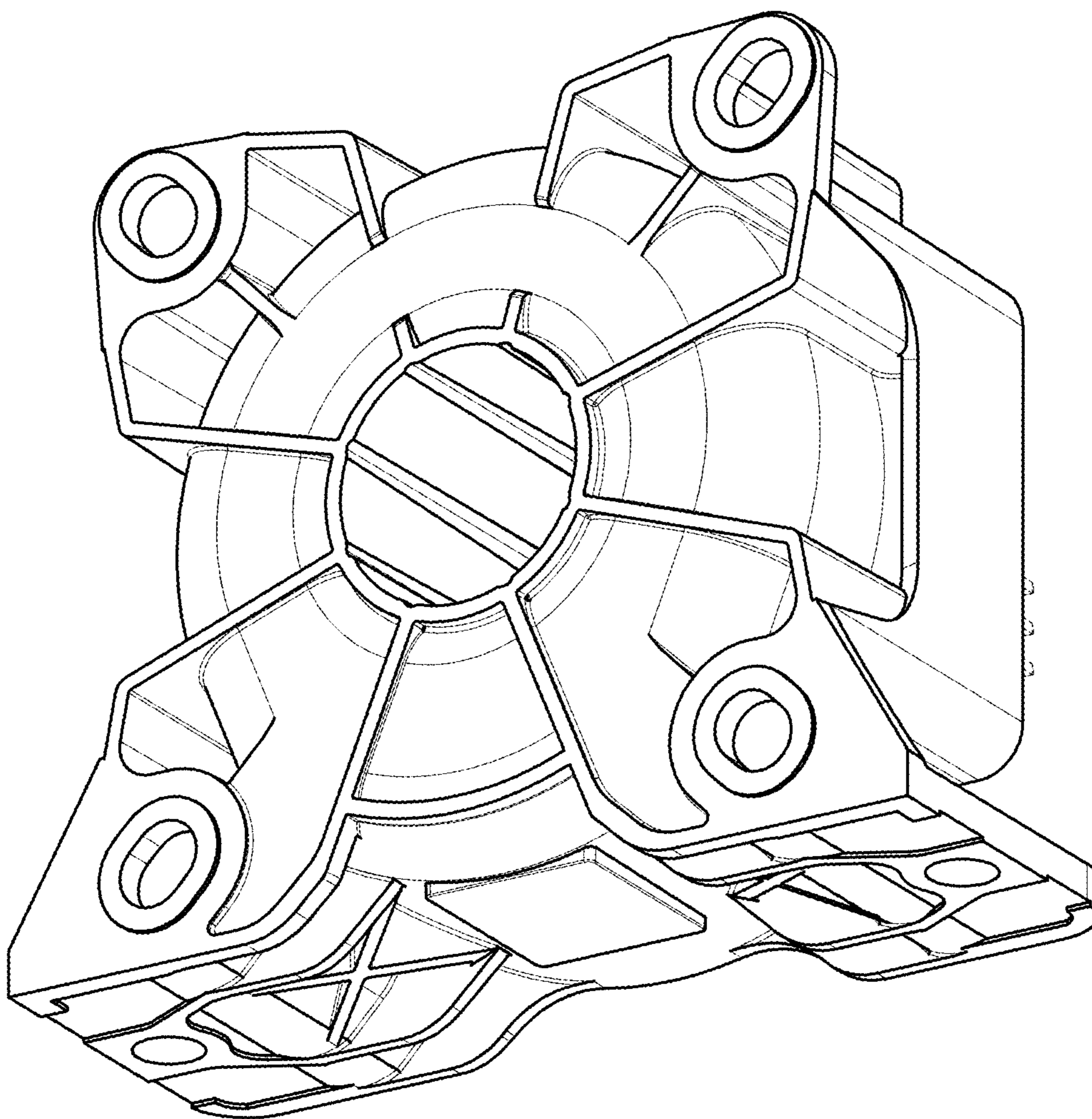


FIG. 2

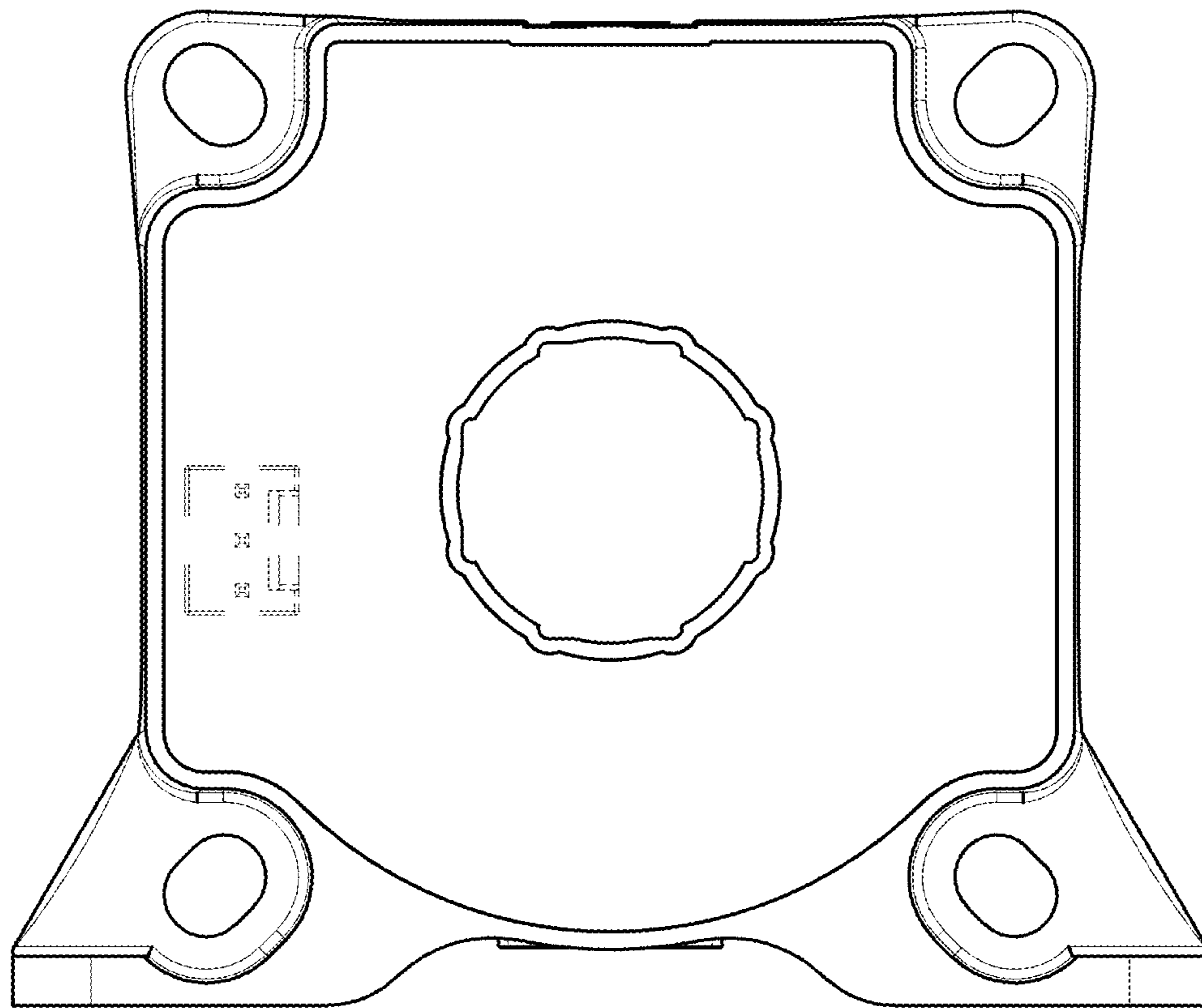


FIG. 3

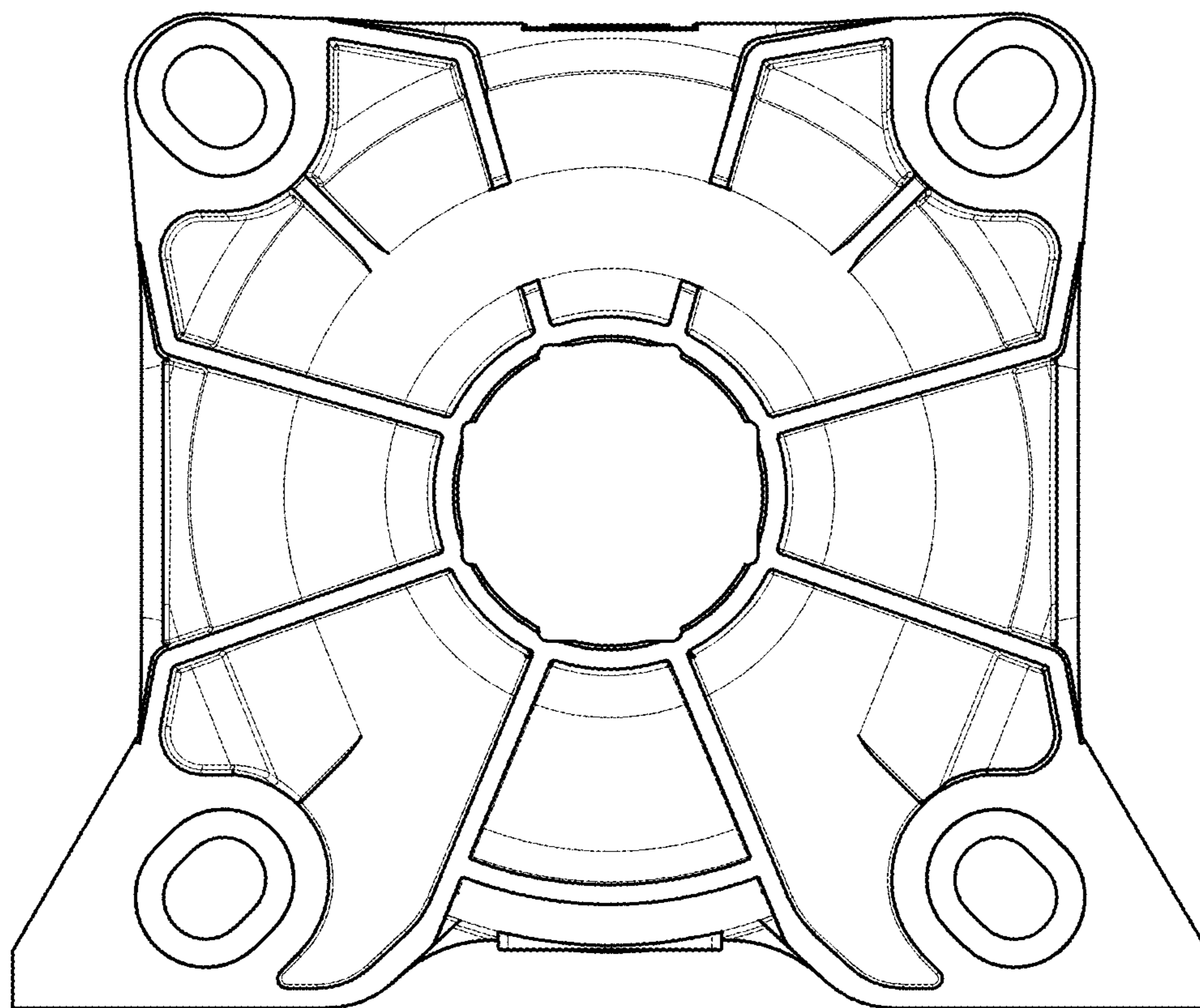


FIG. 4

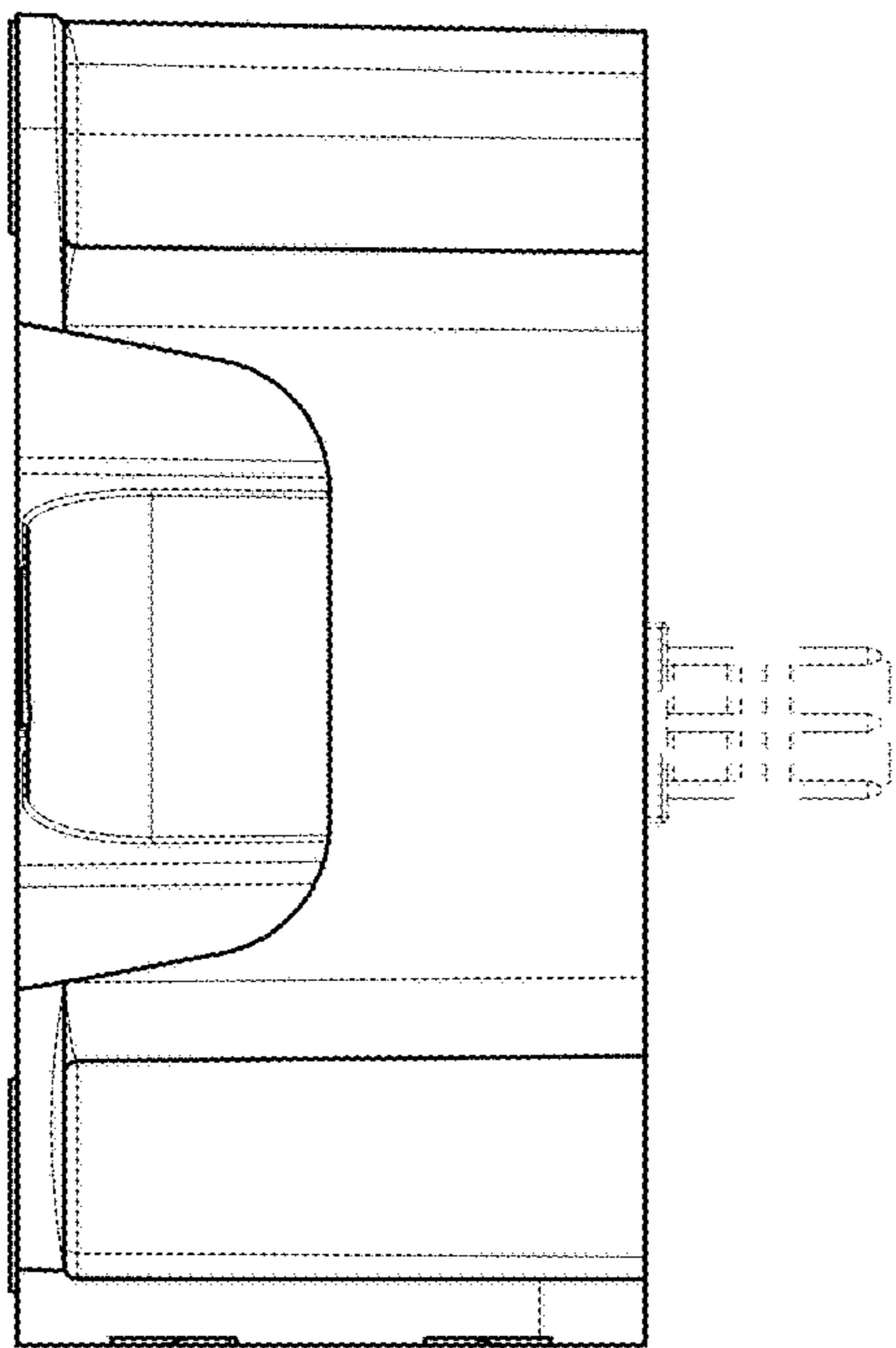


FIG. 5

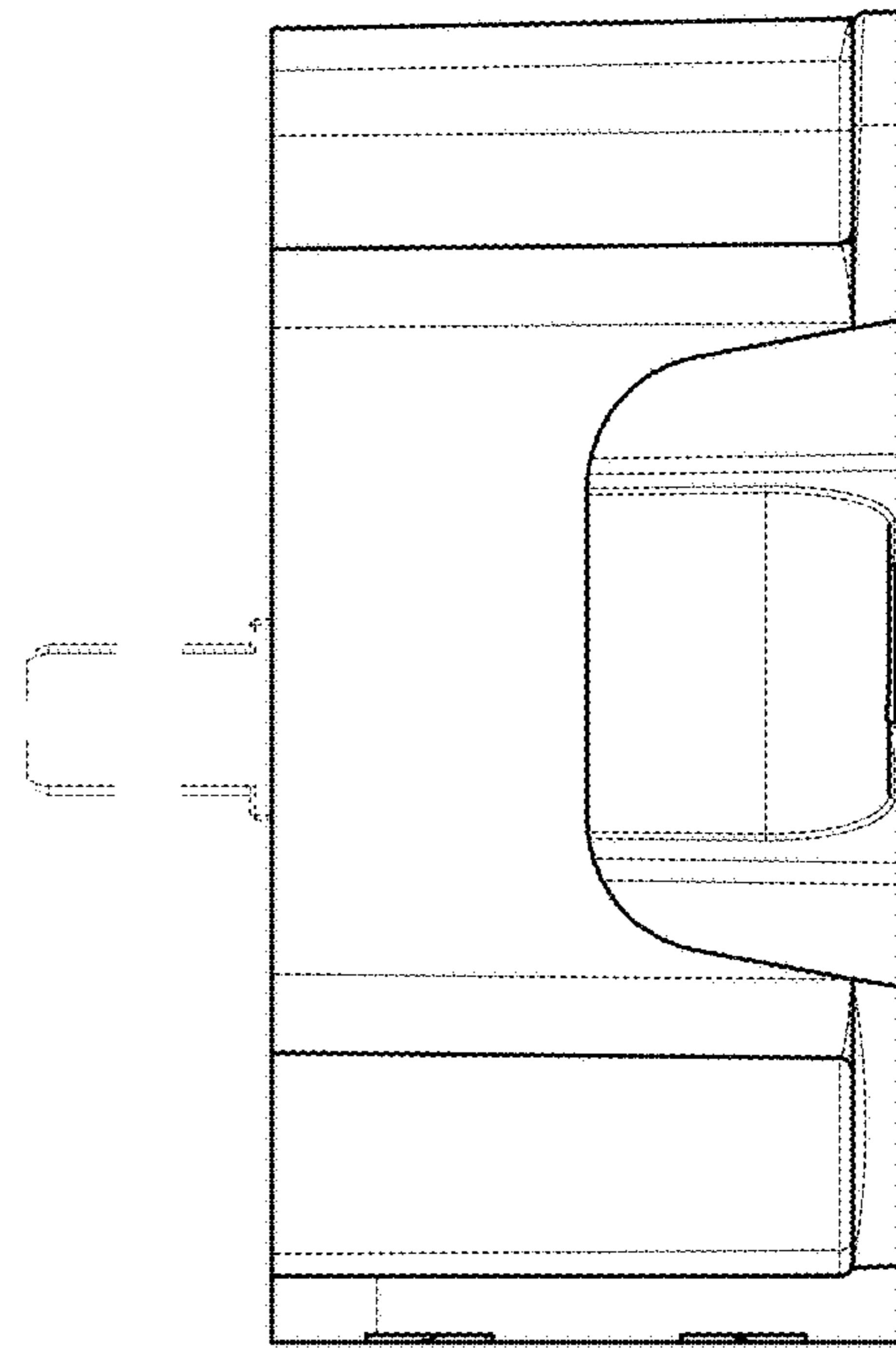


FIG. 6

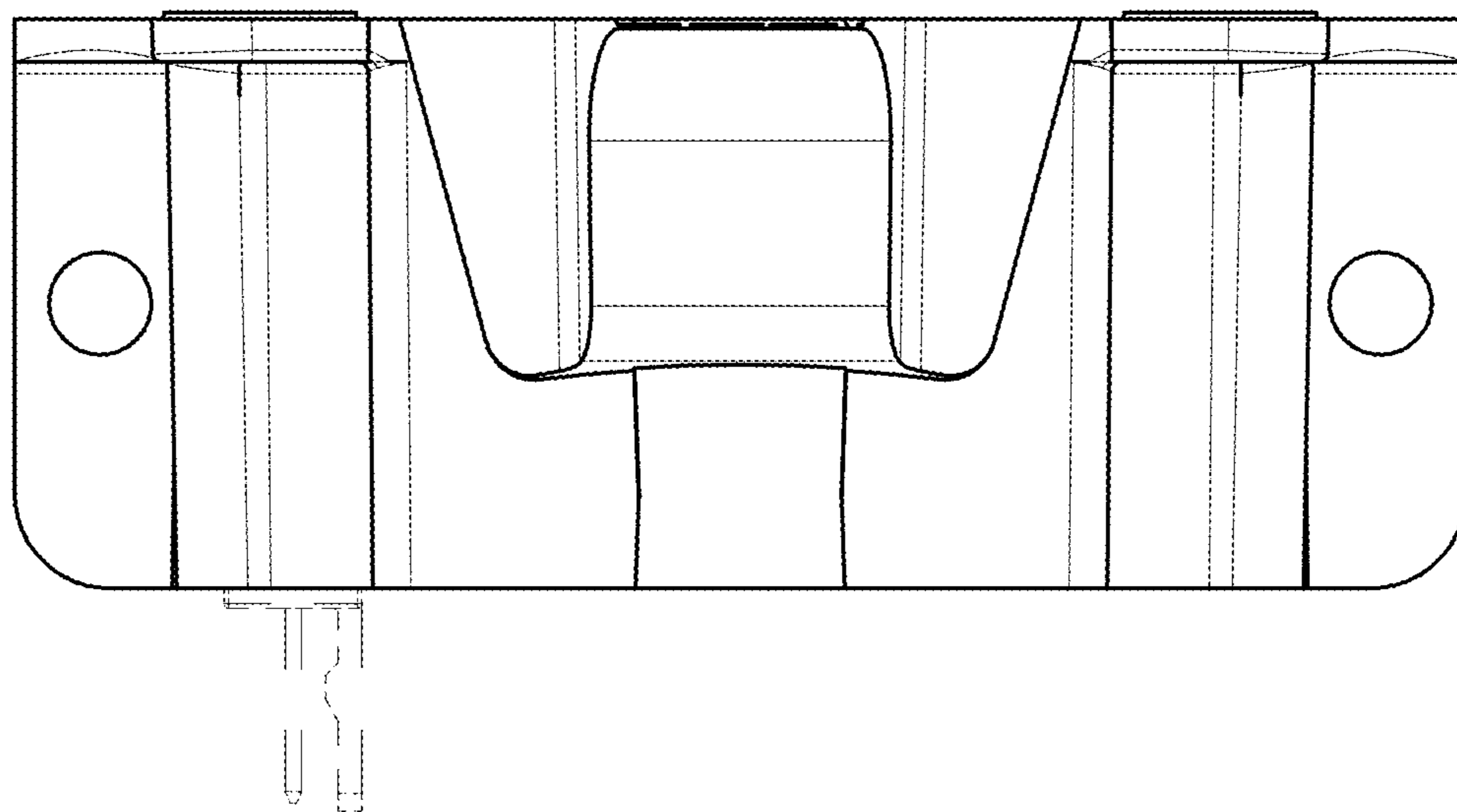


FIG. 7

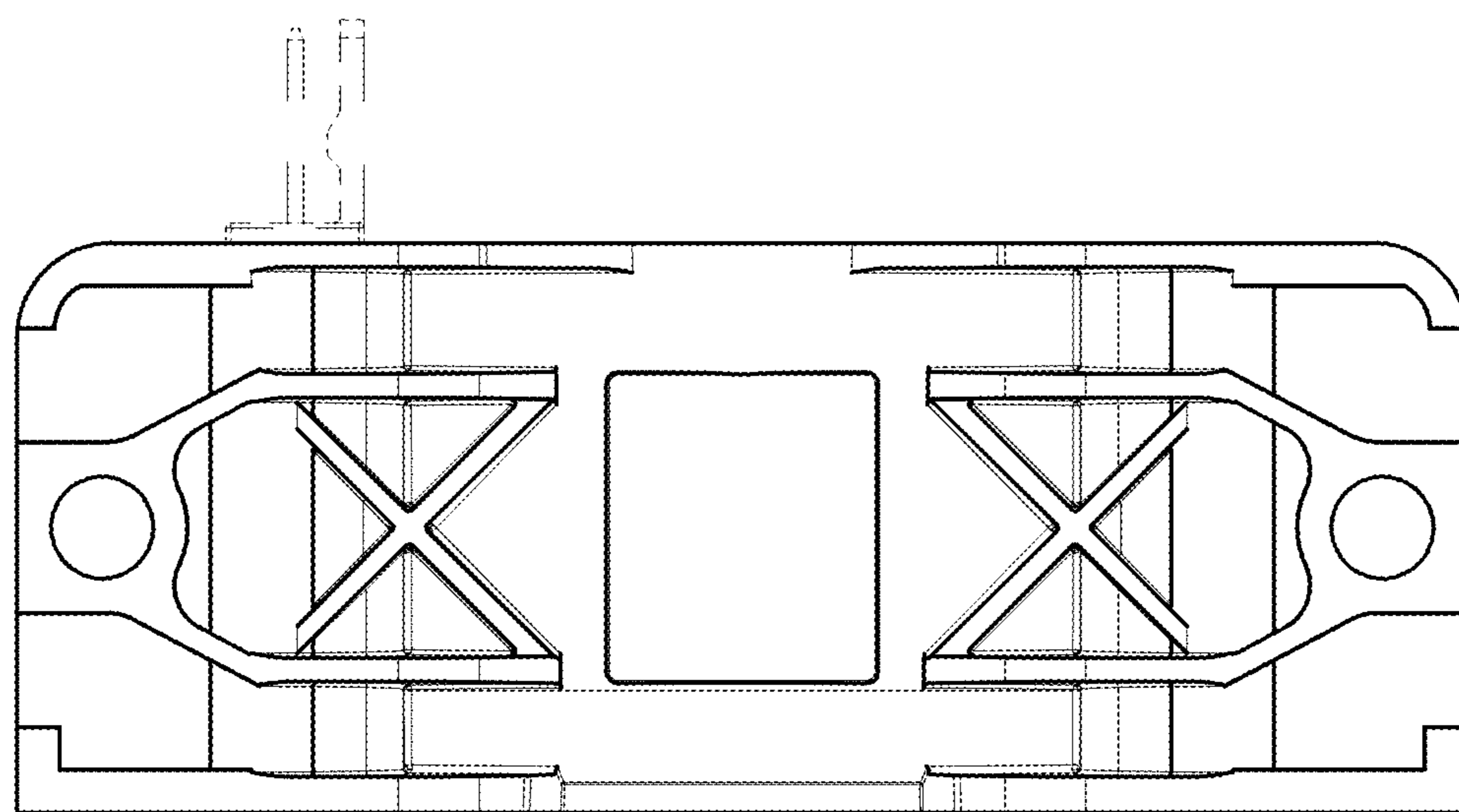


FIG. 8

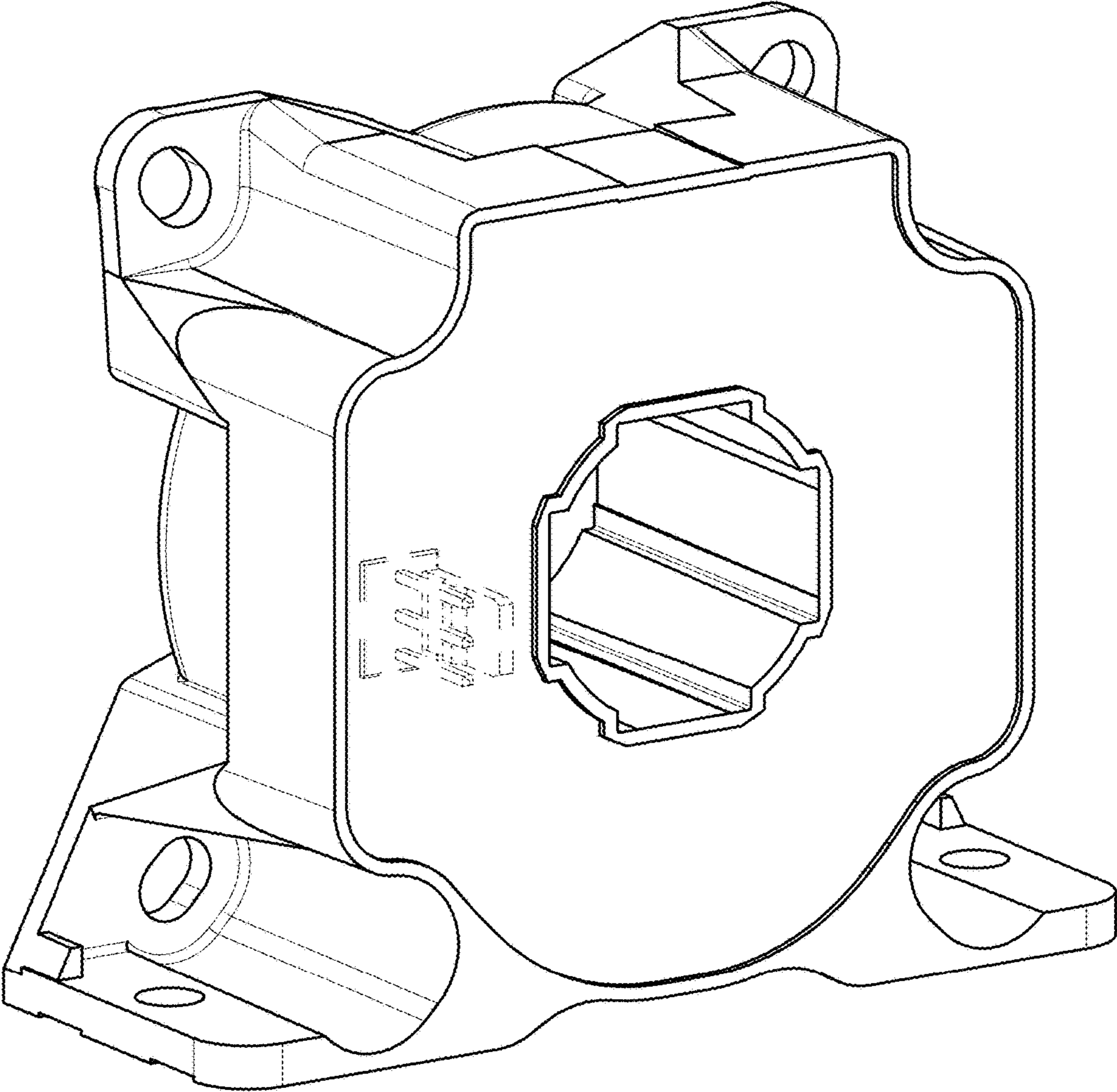


FIG. 9

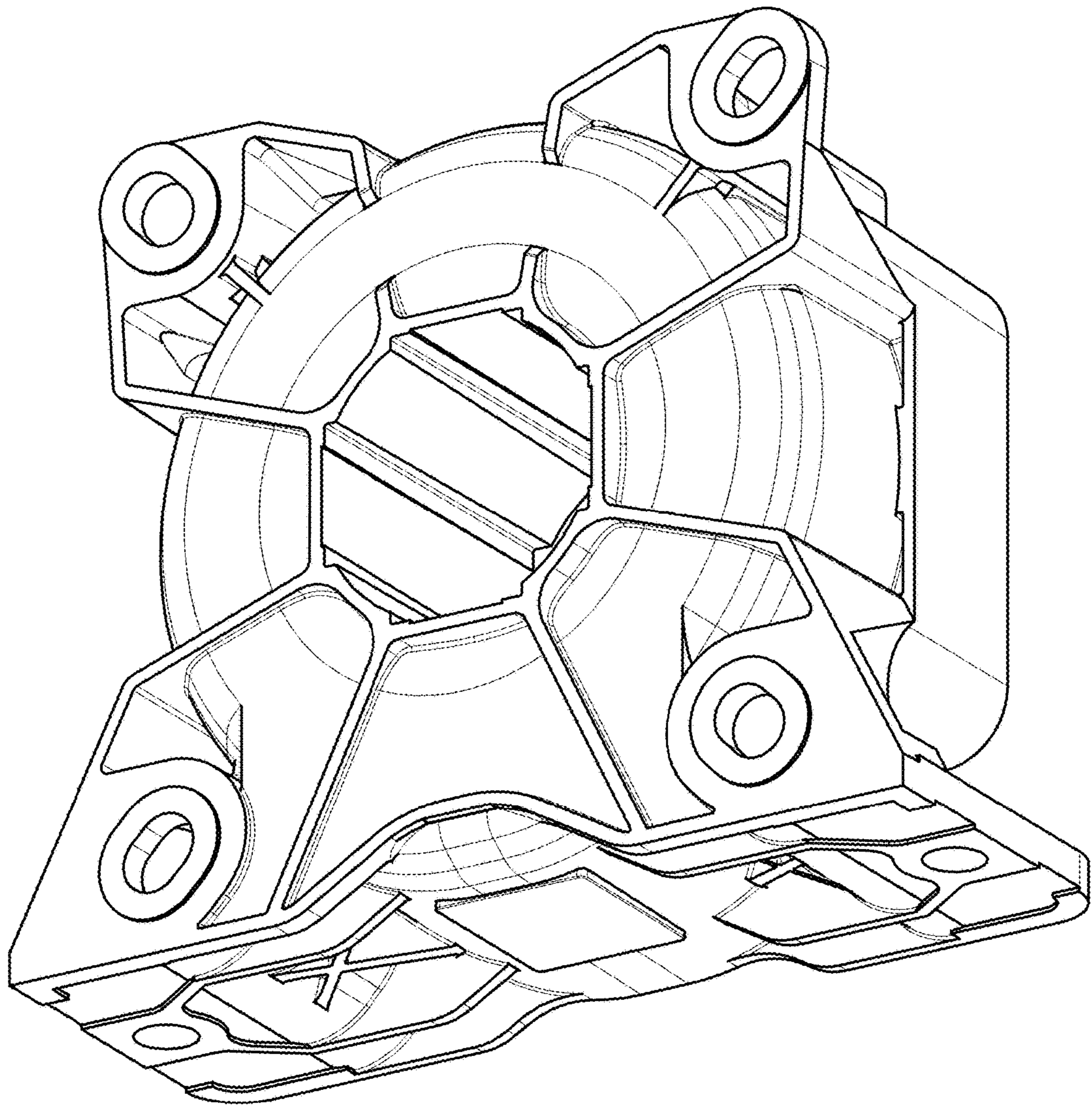


FIG. 10

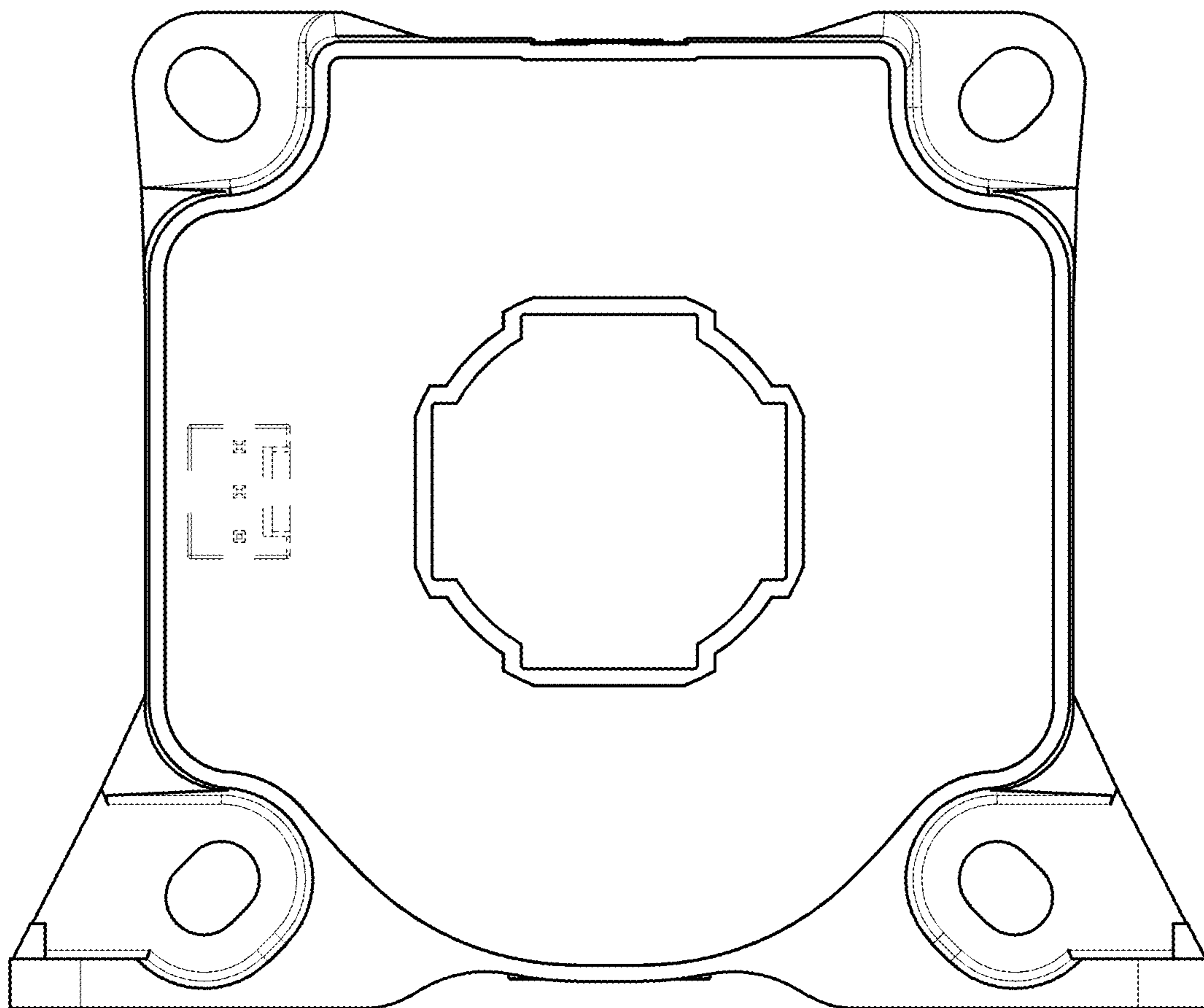


FIG. 11

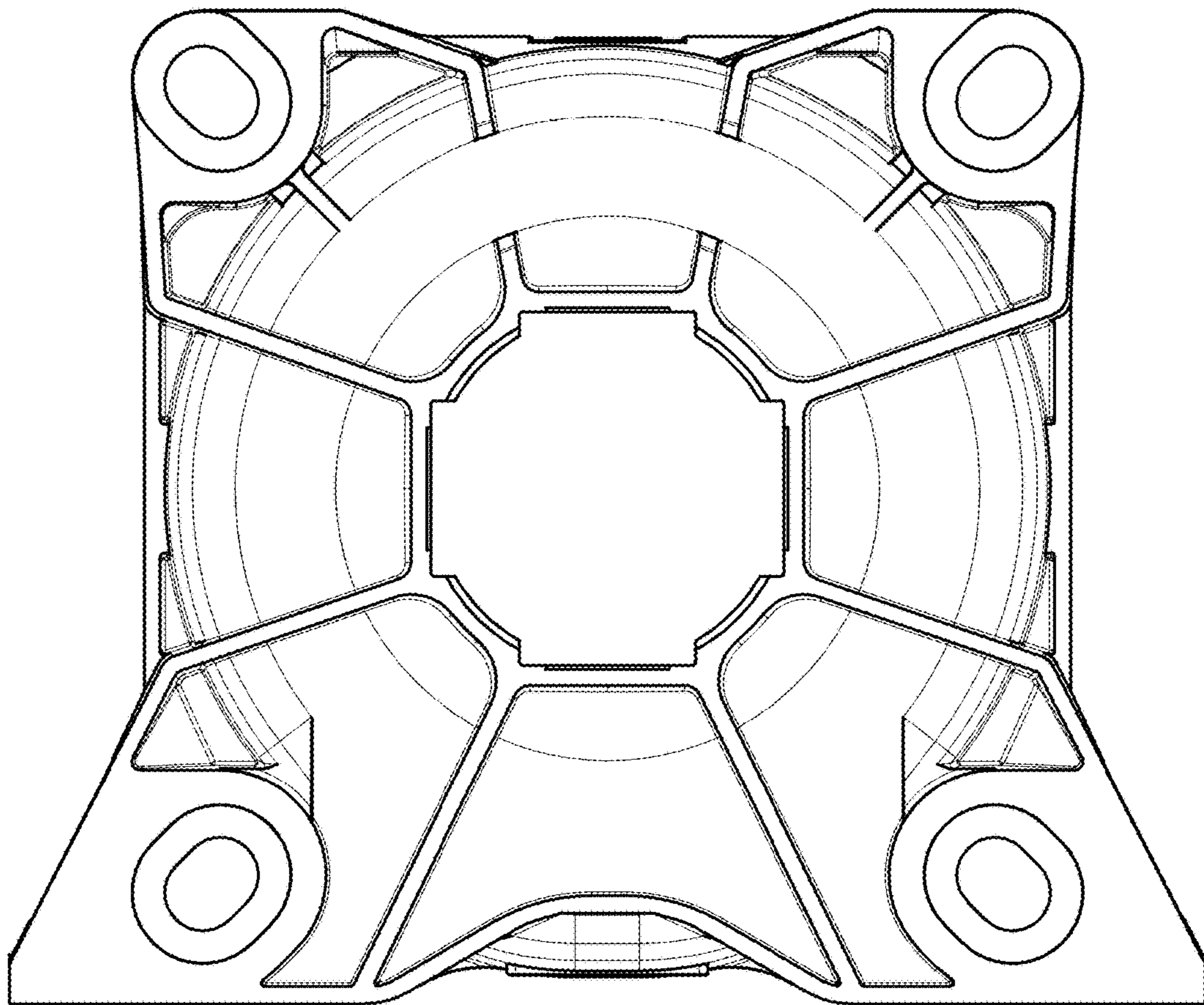


FIG. 12

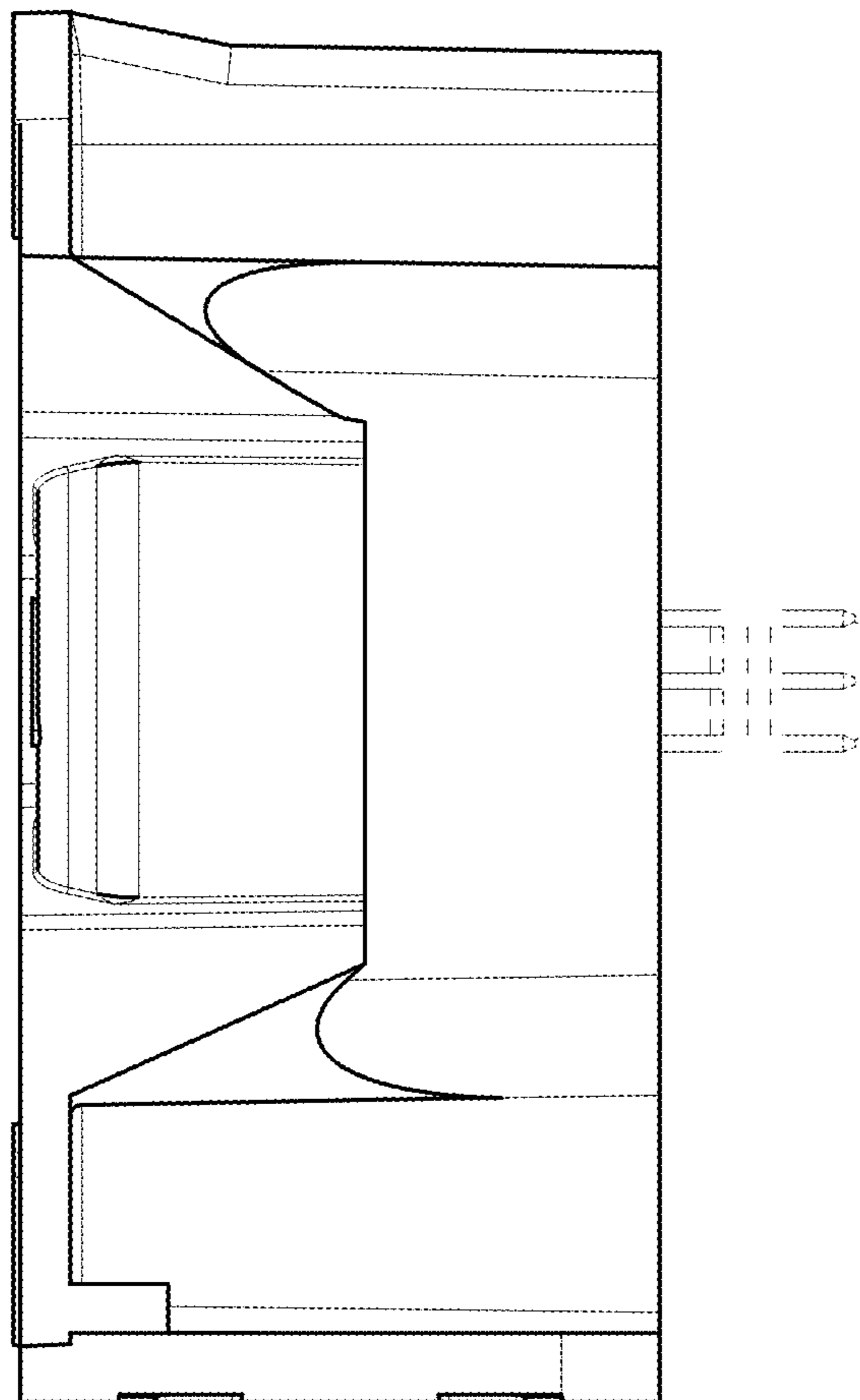


FIG. 13

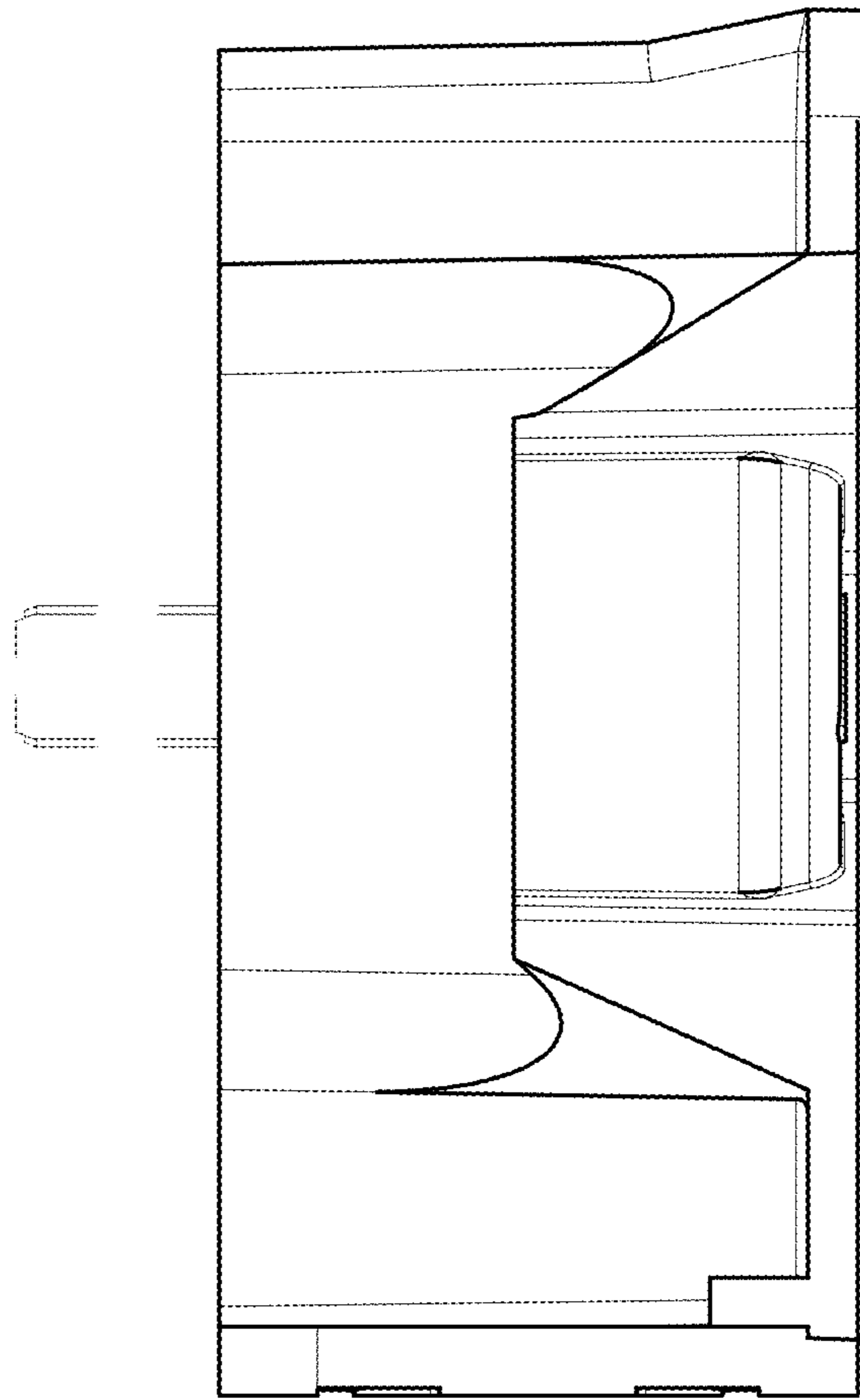


FIG. 14

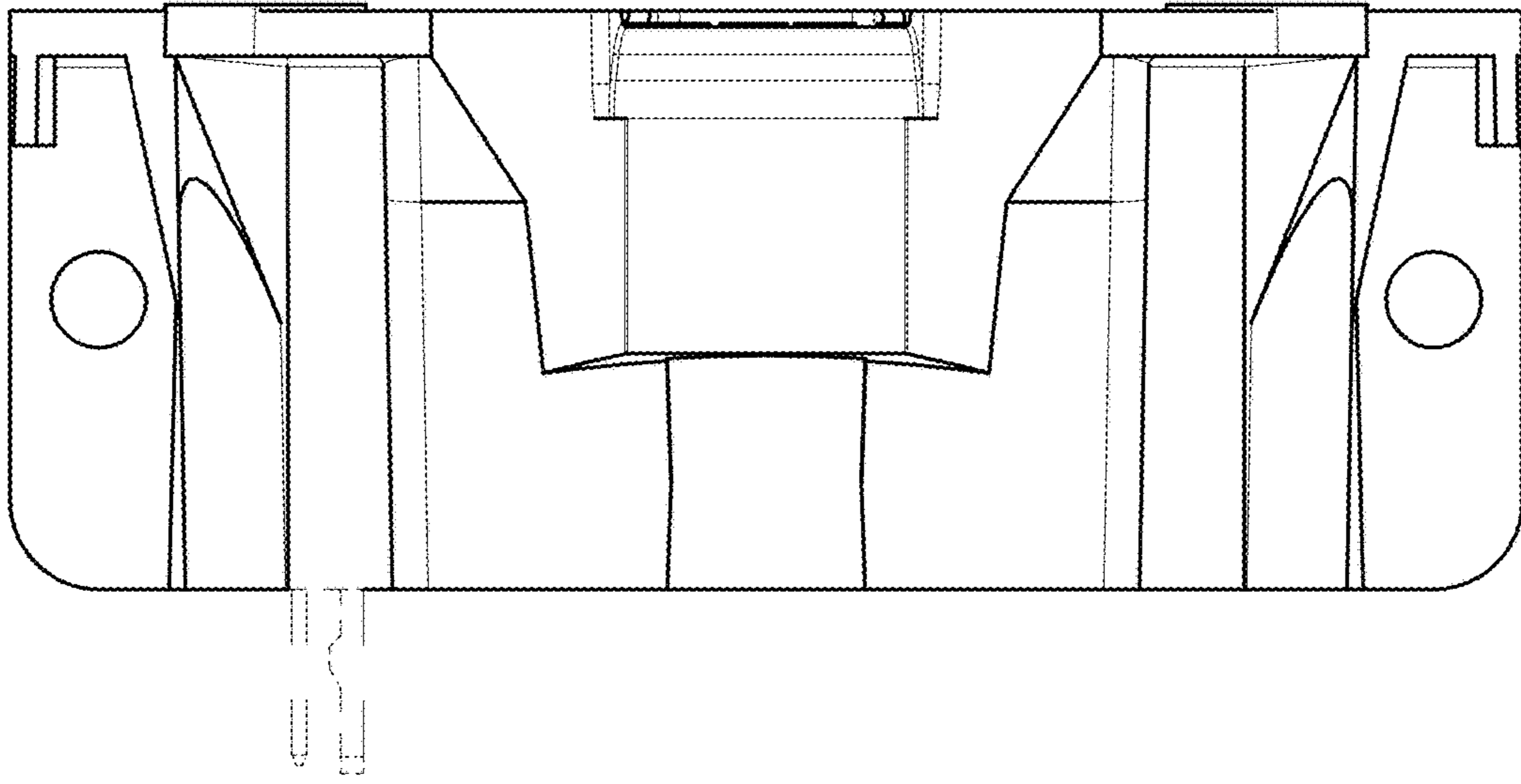


FIG. 15

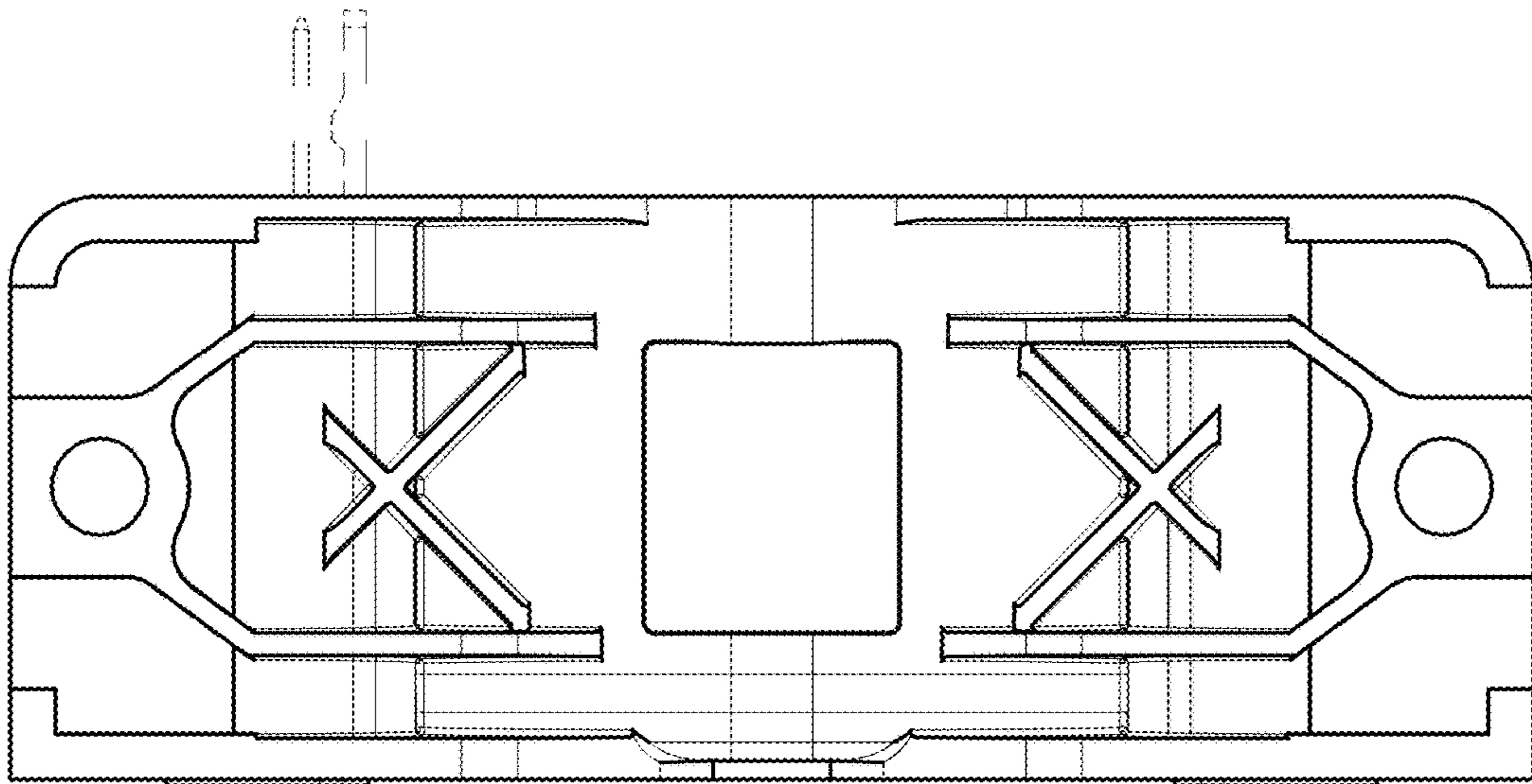


FIG. 16