



US00D811997S

(12) **United States Design Patent** (10) **Patent No.:** **US D811,997 S**
Sha et al. (45) **Date of Patent:** **** Mar. 6, 2018**

(54) **BATTERY CHARGER**

(71) Applicant: **Bren-Tronics, Inc.**, Commack, NY (US)

(72) Inventors: **Daniel Sha**, Farmingdale, NY (US); **Alan Squillante**, Kings Park, NY (US); **Tullio Clemente**, Port Washington, NY (US); **Jarred Kahn**, Babylon, NY (US); **Henry Paczkowski**, Manhasset Hills, NY (US); **Peter Burke**, East Northport, NY (US); **Sai Fung**, Melville, NY (US)

D701,830 S *	4/2014	Edwards	D13/107
D727,261 S *	4/2015	Kishita	D13/110
D762,568 S *	8/2016	Arends	D13/107
D766,177 S *	9/2016	Barajas	D13/107
D772,185 S *	11/2016	Moninski	D13/184
D775,587 S *	1/2017	Barajas	D13/107
D778,833 S *	2/2017	Li	D13/110
D780,692 S *	3/2017	Hopponen	D13/110
D783,529 S *	4/2017	Hoffman	D13/110
D788,701 S *	6/2017	Goto	D13/110
D789,887 S *	6/2017	Zeng	D13/110

* cited by examiner

Primary Examiner — Rosemary K Tarca
Assistant Examiner — Nathaniel D. Buckner
 (74) *Attorney, Agent, or Firm* — Keusey & Associates, P.C.

(73) Assignee: **Bren-Tronics, Inc.**, Commack, NY (US)

(**) Term: **15 Years**

(21) Appl. No.: **29/533,444**

(22) Filed: **Jul. 17, 2015**

(51) **LOC (11) Cl.** **13-02**

(52) **U.S. Cl.**
USPC **D13/107**

(58) **Field of Classification Search**
 USPC D13/107–110, 118–119, 184; D14/251, D14/253, 432, 434
 CPC Y02E 60/12; Y02T 90/14; Y02T 90/122; Y02T 90/128; Y02T 90/163; H02J 7/025; H02J 7/0042; H02J 7/0044; H02J 7/0045; H02J 7/0003; H01F 38/14; H01R 13/6675; H01M 2/1022; H01M 2/1055; H01M 10/44; H01M 10/46; H01M 10/425; B60L 11/182

See application file for complete search history.

(56) **References Cited**

U.S. PATENT DOCUMENTS

D610,085 S *	2/2010	Sweeney	D13/107
D654,023 S *	2/2012	Kyle Ching Hao	D13/110

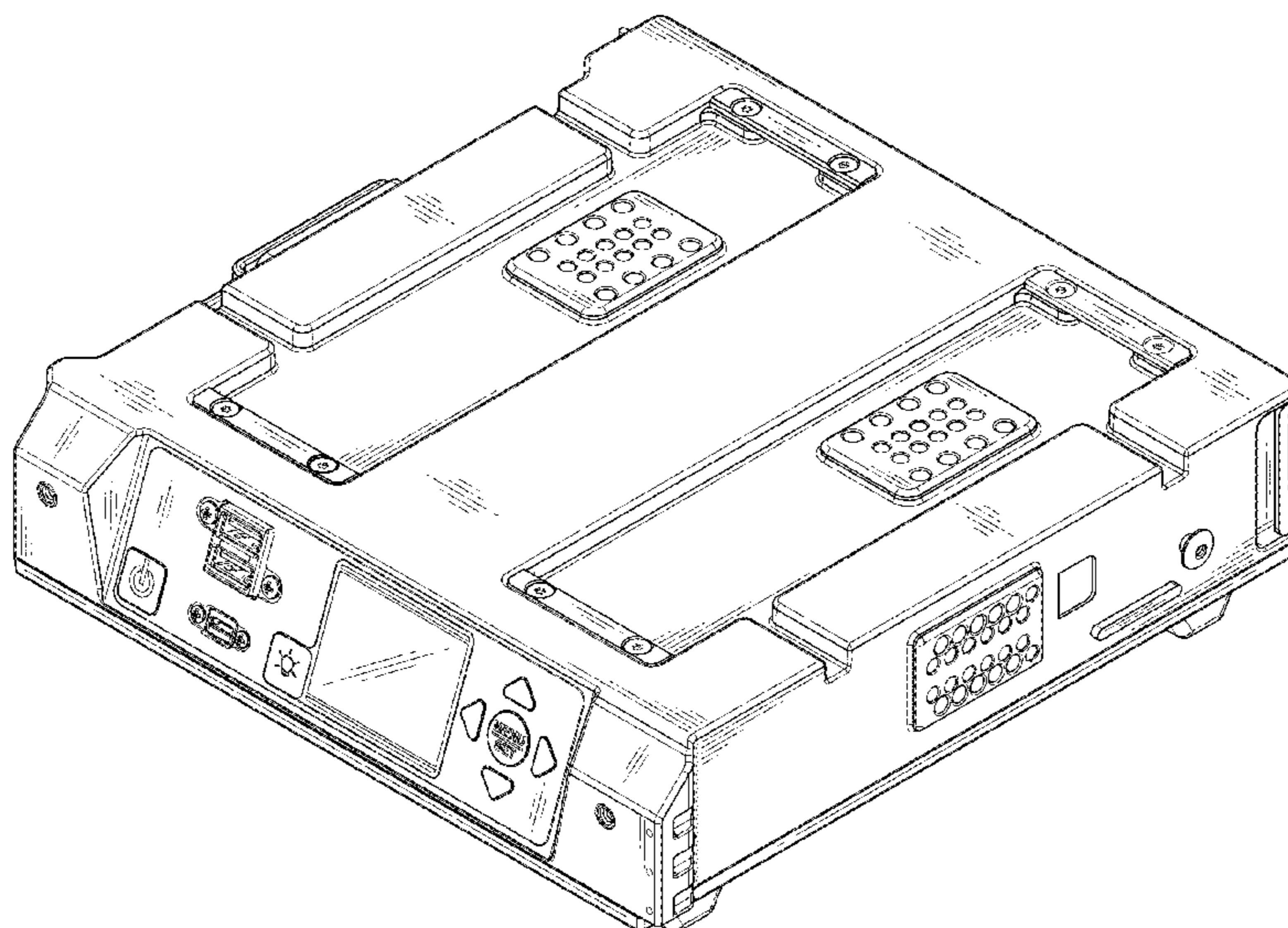
(57) **CLAIM**

We claim the ornamental design for a battery charger, as shown and described.

DESCRIPTION

FIG. 1 is a front top right side perspective view of a battery charger showing our new design.
 FIG. 2 is a top, front, left side perspective view thereof.
 FIG. 3 is a front side elevational view thereof.
 FIG. 4 is a back side elevational view thereof.
 FIG. 5 is a right side elevational view thereof.
 FIG. 6 is a left side elevational view thereof.
 FIG. 7 is a top plan view thereof; and,
 FIG. 8 is a bottom plan view thereof.
 The broken lines in the drawings are for the purpose of illustrating unclaimed portions of the battery charger and form no part of the claimed design.

1 Claim, 6 Drawing Sheets



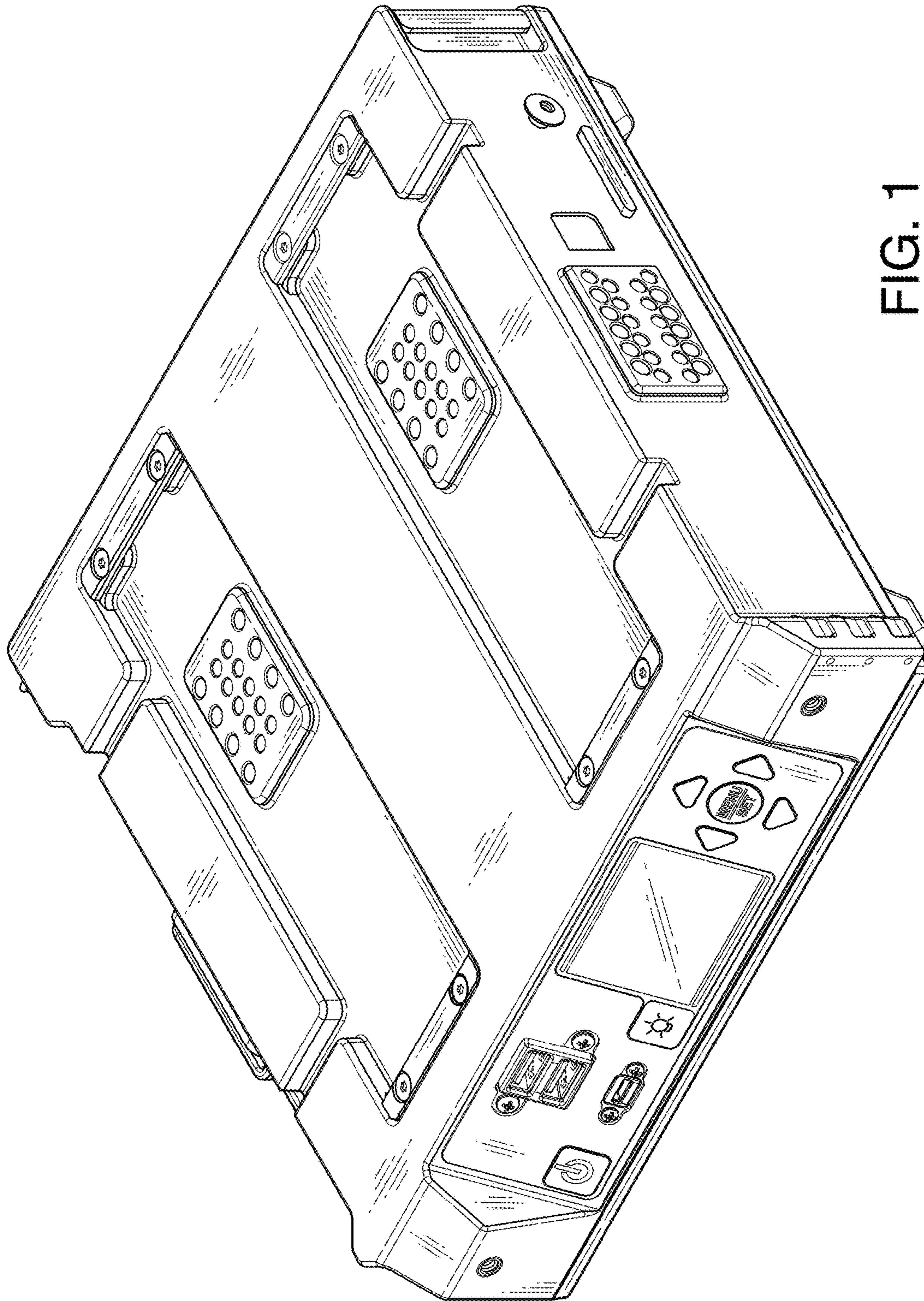


FIG. 1

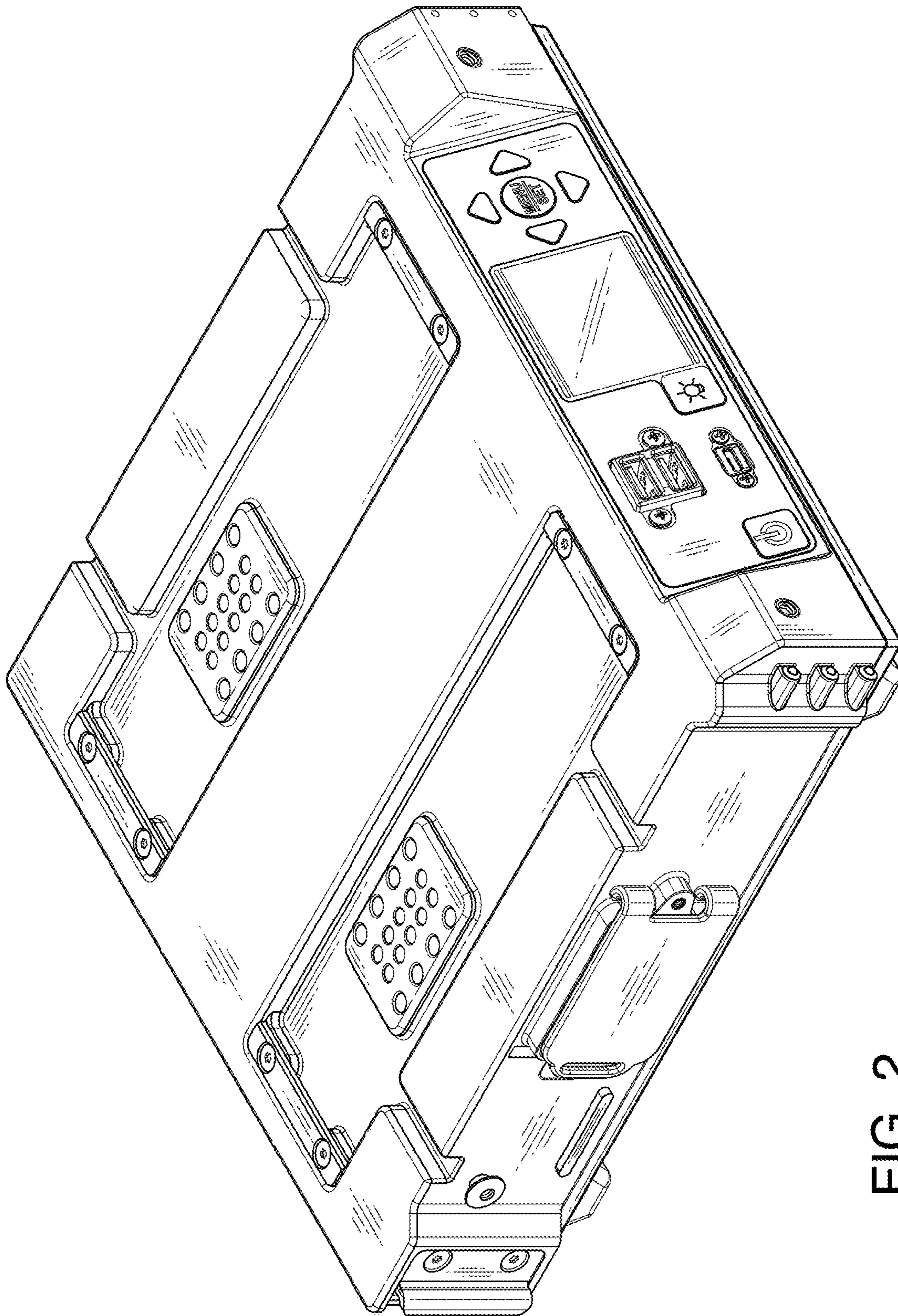


FIG. 2

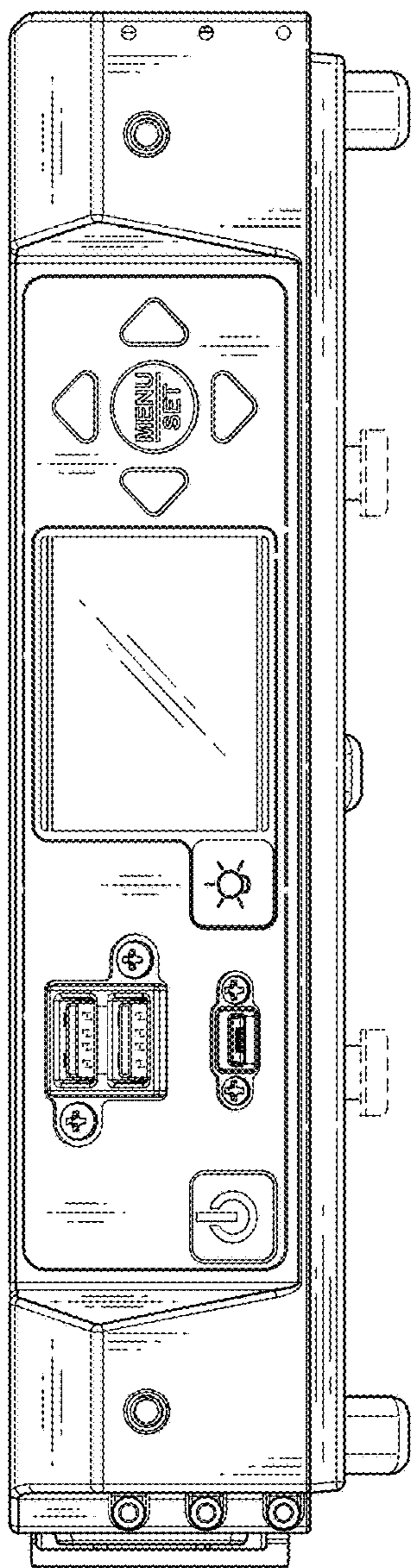


FIG. 3

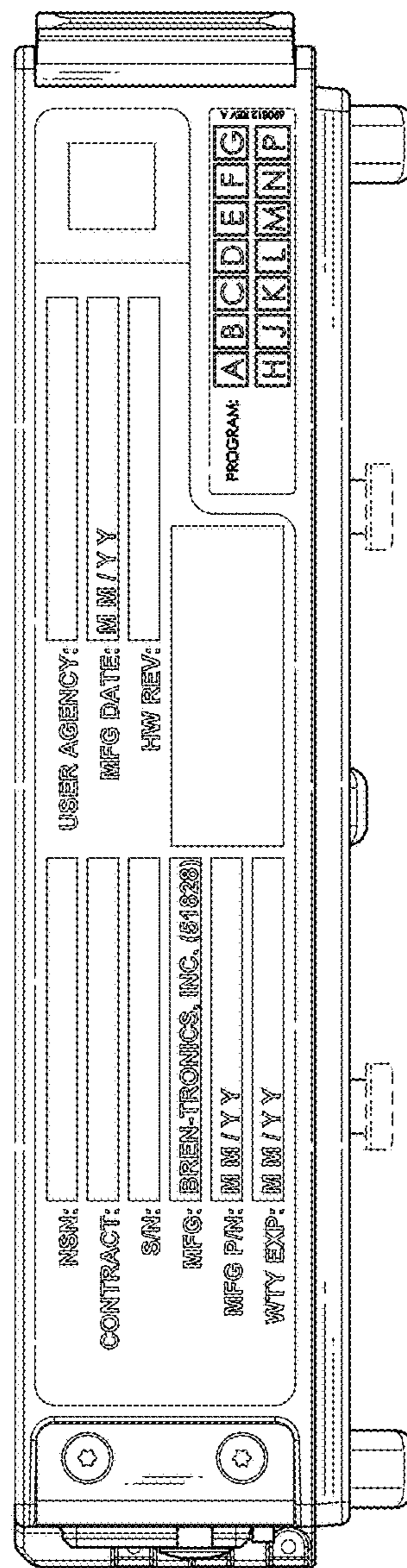


FIG. 4

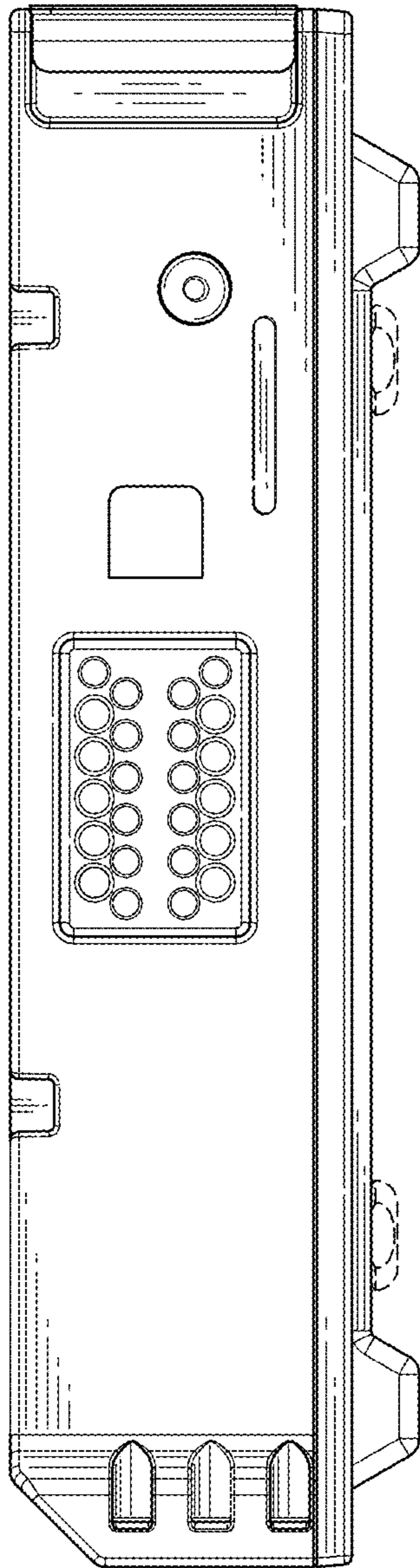


FIG. 5

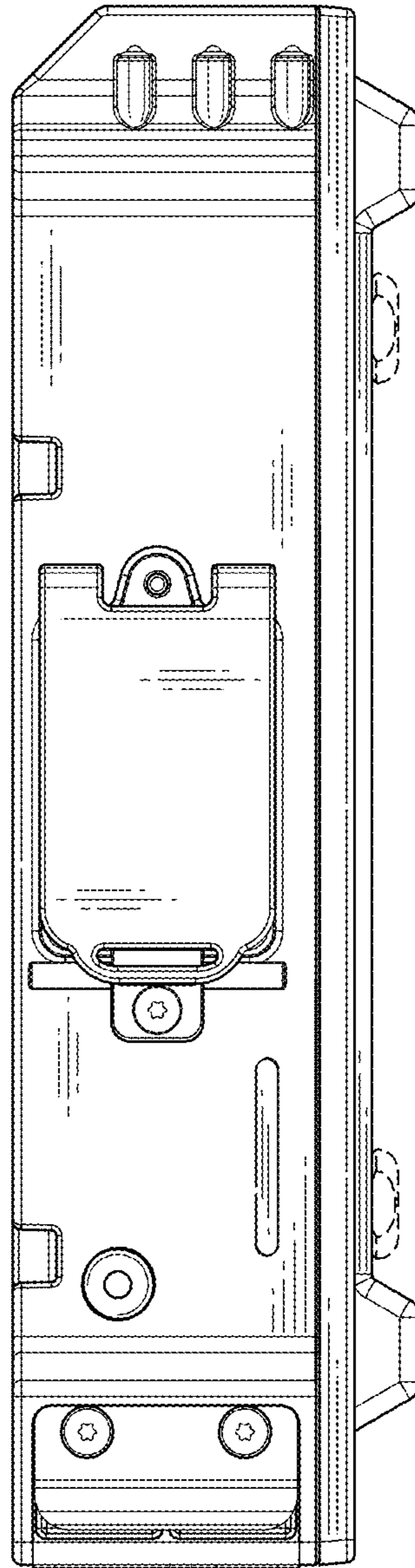


FIG. 6

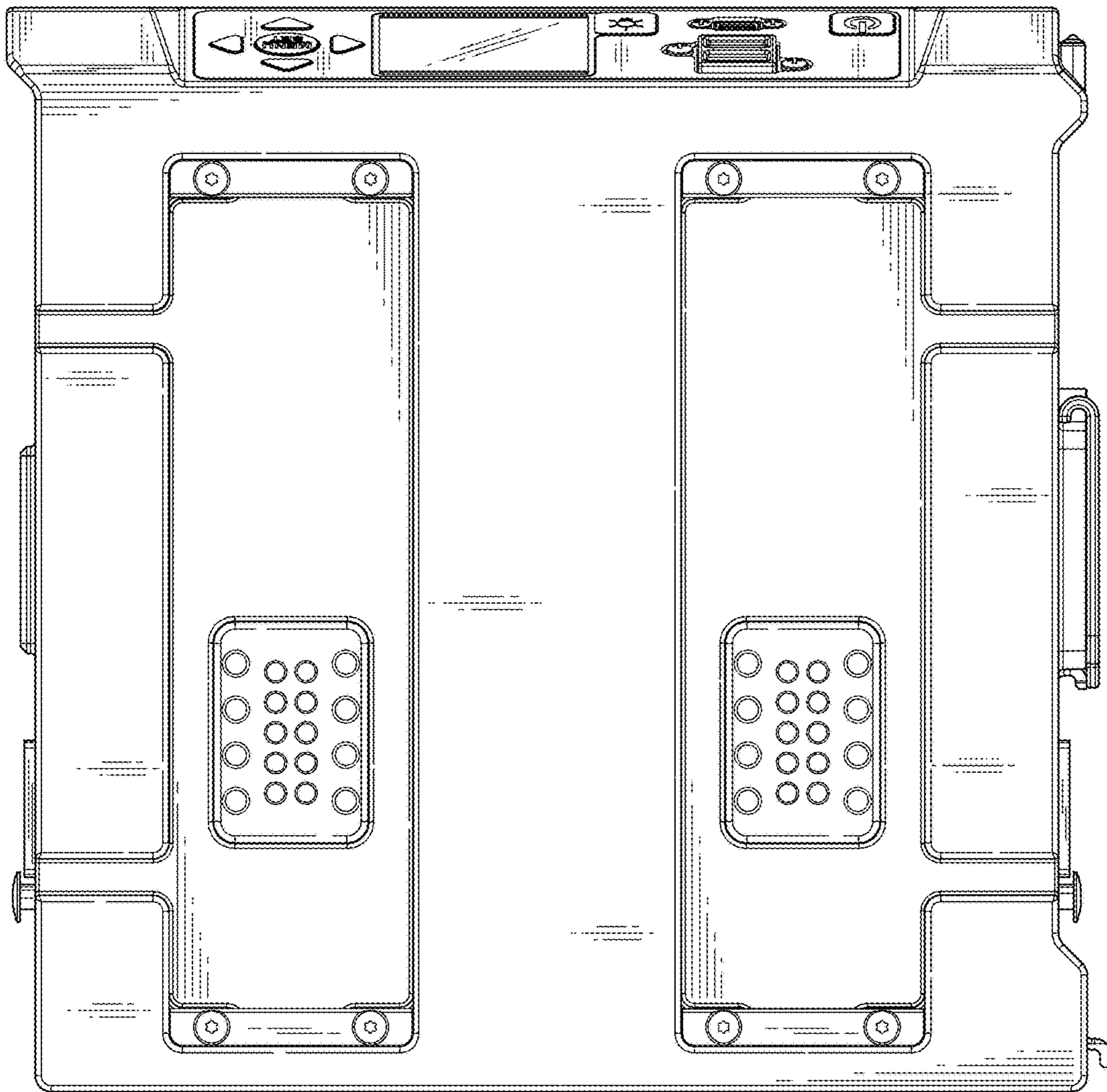


FIG. 7

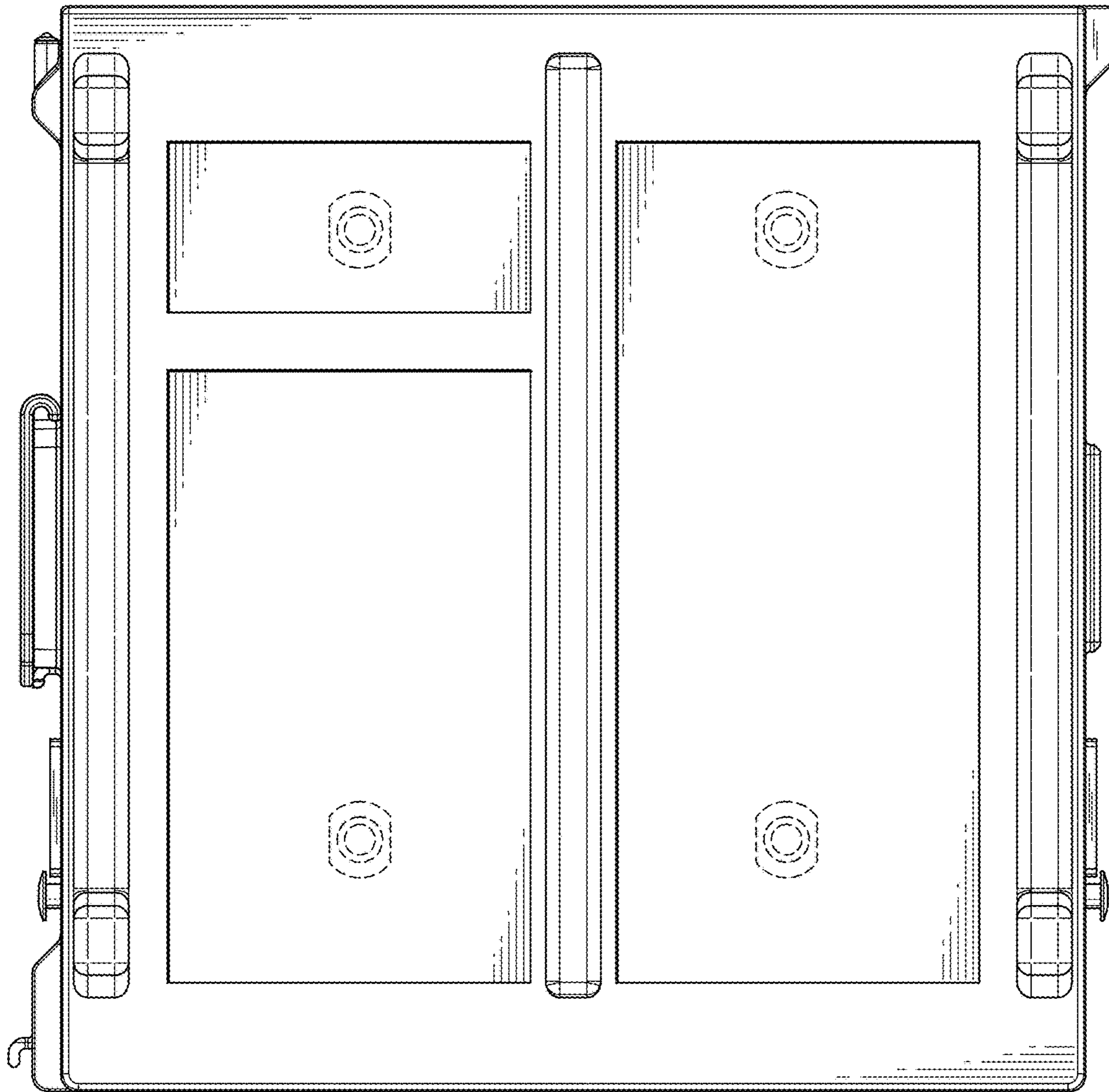


FIG. 8