



US00D811995S

(12) **United States Design Patent** (10) **Patent No.:** **US D811,995 S**  
**Horikoshi et al.** (45) **Date of Patent:** **\*\* Mar. 6, 2018**

(54) **BATTERY**

FOREIGN PATENT DOCUMENTS

(71) Applicant: **Sony Corporation**, Tokyo (JP)

CN 301319215 S 8/2010  
JP D1030882-001 S 2/1999

(72) Inventors: **Yoshiichi Horikoshi**, Fukushima (JP);  
**Katsushige Kanno**, Fukushima (JP);  
**Yusuke Tanji**, Fukushima (JP); **Kenta Honda**, Fukushima (JP); **Tsukasa Takahashi**, Fukushima (JP); **Masayuki Kageyama**, Fukushima (JP)

(Continued)

OTHER PUBLICATIONS

(73) Assignee: **Murata Manufacturing Co., Ltd.**, Kyoto (JP)

Website, [gmbattery.com](http://www.gmbattery.com), "CP 3.0V Battery—CP Cylindrical Battery", [http://www.gmbattery.com/product/CP\\_bettery-en.html](http://www.gmbattery.com/product/CP_bettery-en.html) (<http://www.bmbattery.com/product/showproduct/php?lang=en&id=49>), Updated Jan. 27, 2016, GMB Co., Ltd., China.

(Continued)

(\*\*) Term: **15 Years**

*Primary Examiner* — Eric L Goodman

(21) Appl. No.: **29/558,870**

*Assistant Examiner* — Sanjeev Paul

(22) Filed: **Mar. 22, 2016**

(74) *Attorney, Agent, or Firm* — Michael Best & Friedrich LLP

**Related U.S. Application Data**

(63) Continuation-in-part of application No. 29/490,609, filed on May 12, 2014, now abandoned.

(57) **CLAIM**

The ornamental design for a battery, as shown and described.

(30) **Foreign Application Priority Data**

Dec. 13, 2013 (JP) ..... D2013-029384

(51) **LOC (11) Cl.** ..... **13-02**

(52) **U.S. Cl.**  
USPC ..... **D13/103**

(58) **Field of Classification Search**  
USPC ..... D13/102–110, 118–119, 184, 199;  
D14/356, 432, 251, 253, 434;  
320/107–115, 135, 138, 140, 103–105  
(Continued)

**DESCRIPTION**

FIG. 1 is a first perspective view of a battery showing our new design;  
FIG. 2 is a second perspective view thereof;  
FIG. 3 is a third perspective view thereof;  
FIG. 4 is a fourth perspective view thereof;  
FIG. 5 is a front elevational view thereof;  
FIG. 6 is a rear elevational view thereof;  
FIG. 7 is a left side elevational view thereof;  
FIG. 8 is a right side elevational view thereof;  
FIG. 9 is a top plan view thereof; and,  
FIG. 10 is a bottom plan view thereof.

(56) **References Cited**

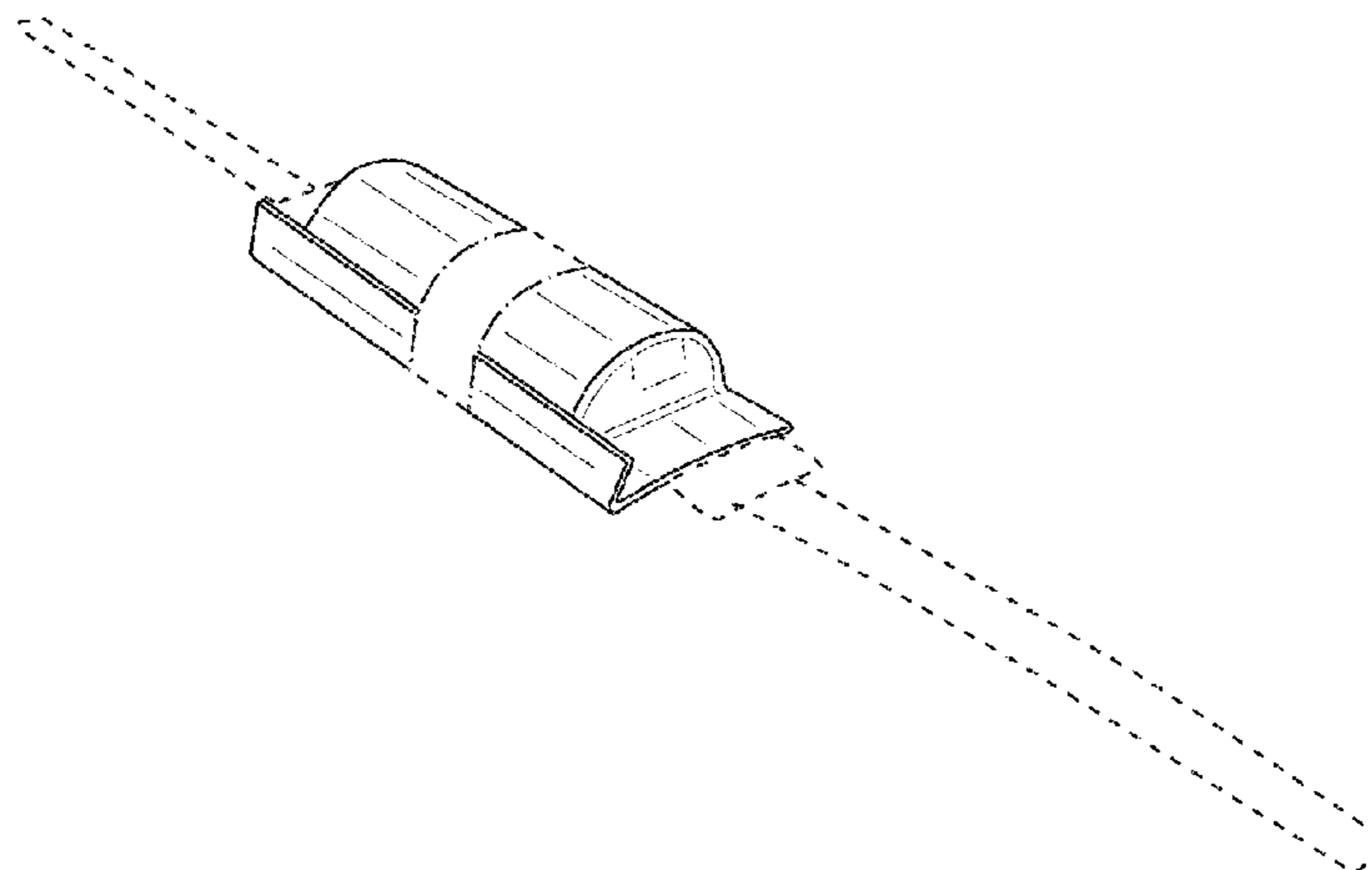
**U.S. PATENT DOCUMENTS**

D252,825 S \* 9/1979 Lauri ..... D27/160  
5,022,882 A \* 6/1991 White ..... H01J 9/38  
445/21

The broken lines illustrating the unclaimed portions of the battery form no part of the claimed design. Dot-dash broken lines define the boundaries of, but not included in, the claimed design.

(Continued)

**1 Claim, 7 Drawing Sheets**



(58) **Field of Classification Search**

CPC ..... Y02E 60/12; Y02E 60/122; Y02E 60/124;  
 Y02E 60/50; H01M 2/02; H01M 2/022;  
 H01M 2/0202; H01M 2/0207; H01M  
 2/0212; H01M 2/1061; H01M 2/1022;  
 H01M 2/1055; H01M 2/1066; H01M  
 2/105; H01M 2/204; H01M 2/20; H01M  
 2/202; H01M 2/206; H01M 10/4257;  
 H01M 10/0436; H01M 10/48; H01M  
 10/44; H01M 10/46; H01M 10/465;  
 H01M 10/482; H01M 2200/30; H01M  
 2250/30; H01M 2250/40; H02J 7/00;  
 H02J 7/0003; H02J 7/0011; H02J 7/0013;  
 H02J 7/0054; H02J 7/0055; H02J 7/0057;  
 H02J 2007/0062

See application file for complete search history.

(56) **References Cited**

U.S. PATENT DOCUMENTS

5,449,567 A \* 9/1995 Yeh ..... H01M 10/46  
 320/111  
 D376,579 S \* 12/1996 Bunyea ..... D13/103  
 D406,561 S \* 3/1999 Goto ..... D13/103  
 D413,858 S 9/1999 Murakami et al.  
 D427,142 S \* 6/2000 Luh ..... D13/103  
 D427,964 S 7/2000 Smith et al.  
 D428,385 S \* 7/2000 Luh ..... D13/103  
 D428,596 S \* 7/2000 Birkestrand ..... D13/107  
 D456,353 S \* 4/2002 Shown ..... D13/110  
 D479,192 S 9/2003 Fujihara et al.  
 D479,193 S 9/2003 Fujihara et al.  
 D481,994 S 11/2003 Fujihara et al.  
 D483,325 S 12/2003 Fujihara et al.  
 6,676,277 B1 \* 1/2004 Gordin ..... F21V 23/06  
 313/51  
 D498,327 S \* 11/2004 Cohen Harel ..... D27/154  
 D539,216 S \* 3/2007 Hamaguchi ..... D13/103  
 D542,238 S 5/2007 Nohara et al.  
 D543,350 S \* 5/2007 Sanderson ..... D3/201  
 D546,279 S \* 7/2007 Shimizu ..... D13/103

D574,768 S \* 8/2008 Witte ..... D13/103  
 D577,333 S \* 9/2008 Daniel ..... D13/103  
 D588,579 S \* 3/2009 Ross ..... D14/217  
 D591,232 S \* 4/2009 Zhuang ..... D13/103  
 D593,488 S \* 6/2009 Harrison ..... D13/103  
 D598,374 S \* 8/2009 Sasada ..... D13/108  
 D598,844 S \* 8/2009 Harrison ..... D13/103  
 D607,402 S \* 1/2010 Himeda ..... D13/103  
 D623,589 S \* 9/2010 Tarter ..... D13/103  
 D633,034 S \* 2/2011 Heine ..... D13/103  
 D633,035 S \* 2/2011 Heine ..... D13/103  
 D645,816 S \* 9/2011 Sasada ..... D13/108  
 D664,092 S \* 7/2012 Gea Suarez ..... D13/103  
 D664,498 S \* 7/2012 Liu ..... D13/103  
 D664,920 S \* 8/2012 Huang ..... D13/107  
 D665,346 S \* 8/2012 Kumagai ..... D13/108  
 D686,155 S \* 7/2013 Nguyen ..... D13/103  
 D697,028 S \* 1/2014 Workman ..... D13/110  
 D720,688 S \* 1/2015 Popper ..... D13/103  
 D721,645 S \* 1/2015 Brown ..... D13/102  
 D722,956 S \* 2/2015 Alima ..... D13/103  
 D740,221 S \* 10/2015 Popper ..... D13/103  
 2005/0003265 A1 \* 1/2005 Chiang ..... H01M 2/1022  
 429/96  
 2012/0308863 A1 \* 12/2012 Masumoto ..... H01M 2/022  
 429/94  
 2015/0340691 A1 11/2015 Inoue et al.

FOREIGN PATENT DOCUMENTS

JP D1037378-006 S 4/1999  
 JP D1037378 S 4/1999  
 JP 2003-017014 A 1/2003  
 JP D1282631 S 10/2006  
 JP D1340600 S 9/2008  
 JP D1340602 S 9/2008  
 WO WO-2008/007867 A1 1/2008

OTHER PUBLICATIONS

Website, gmbattery.com, "Latest LiPo Battery—LiPo battery GMB05300", www.gmbattery.com/product/636-en.html, Updated Jan. 8, 2016, GMB Co., Ltd., China.

\* cited by examiner

FIG.1

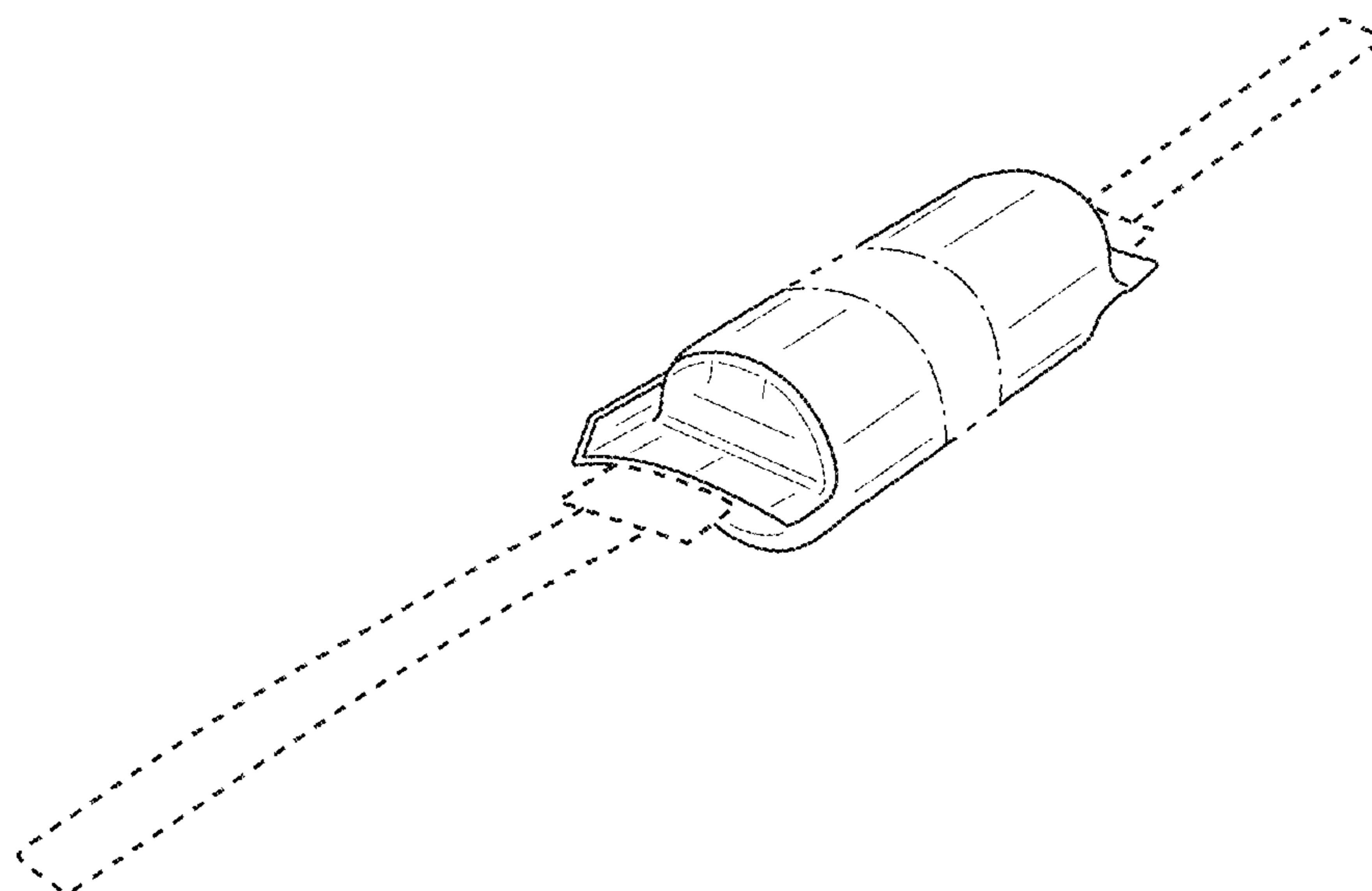


FIG.2

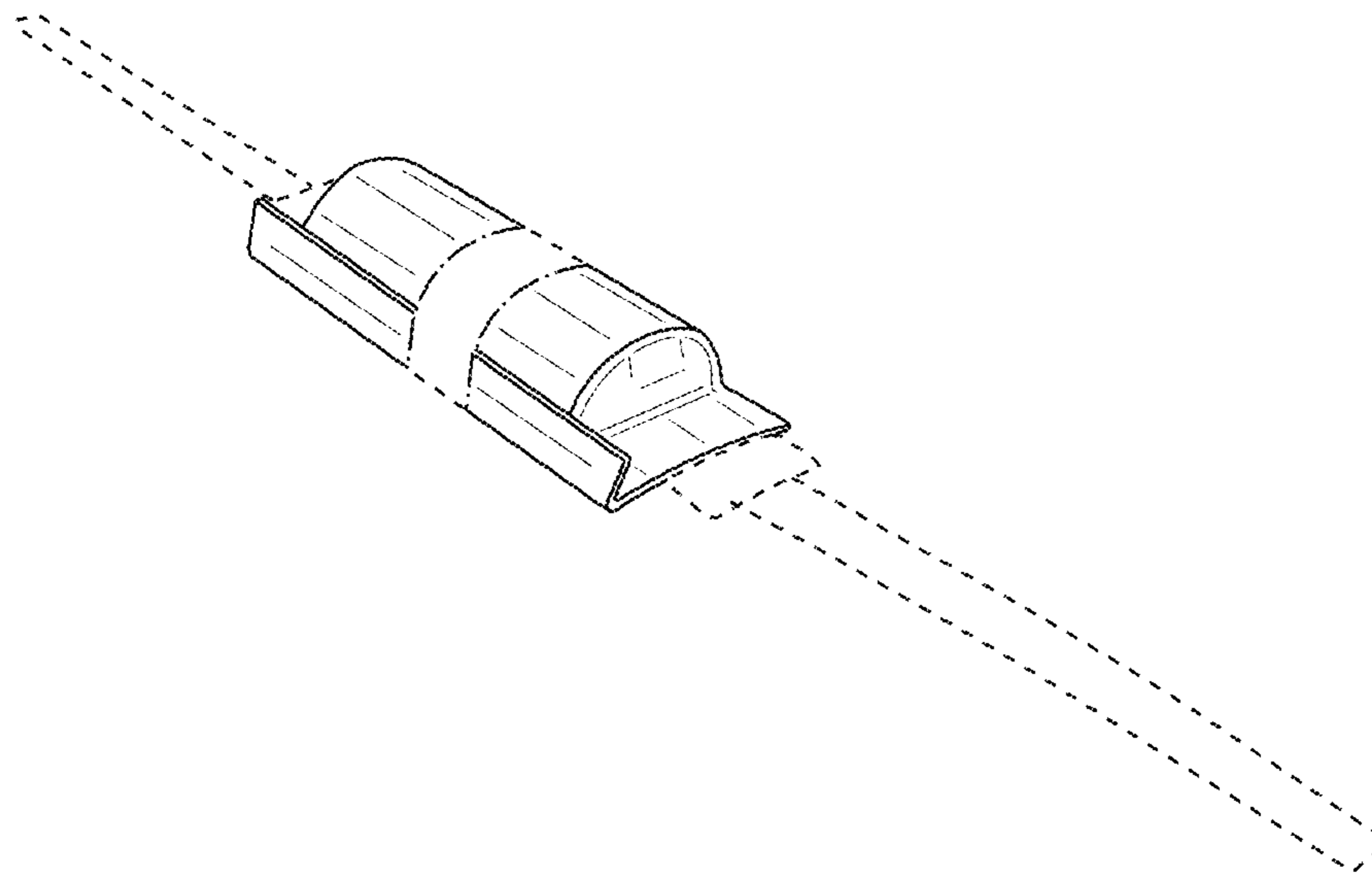


FIG.3

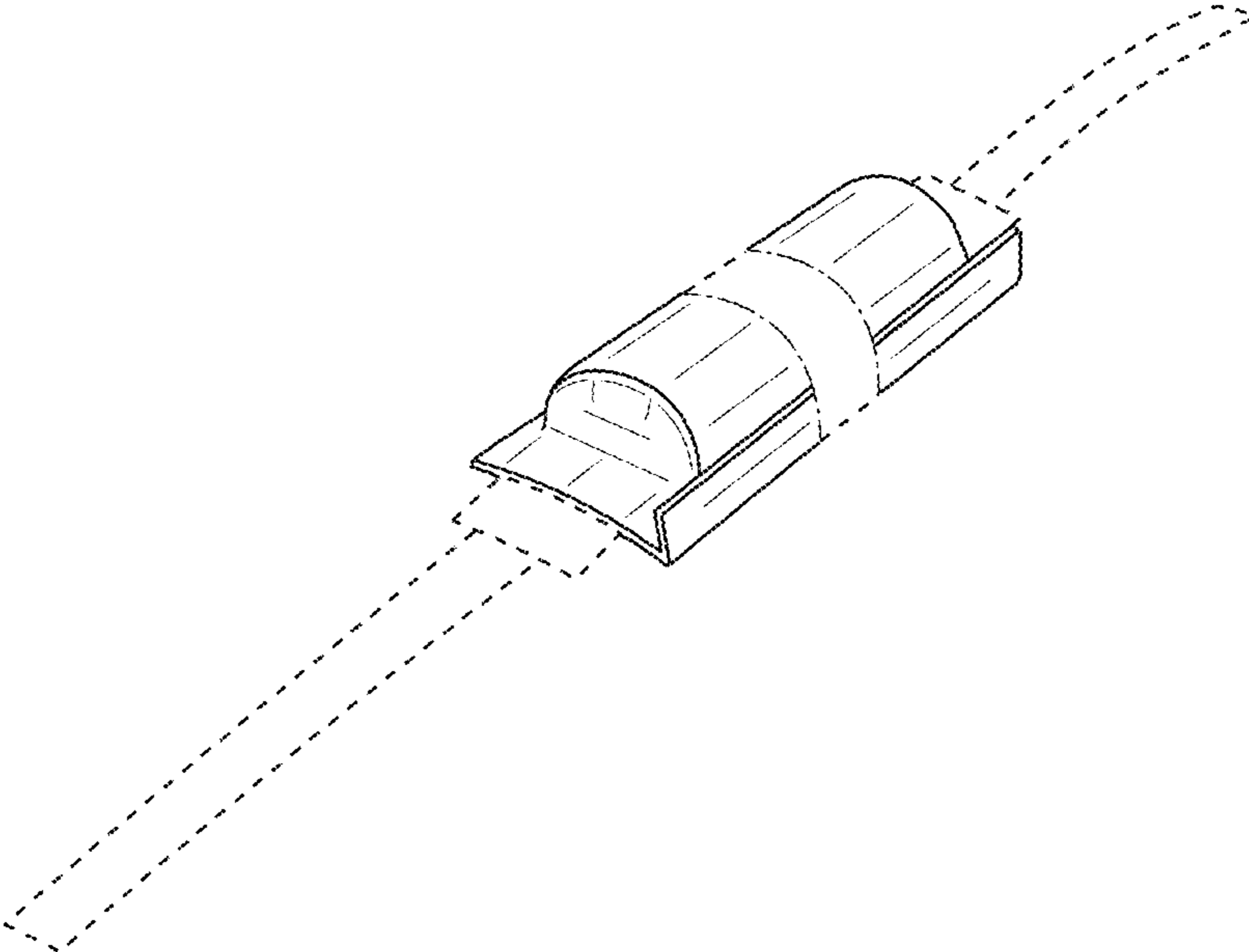


FIG.4

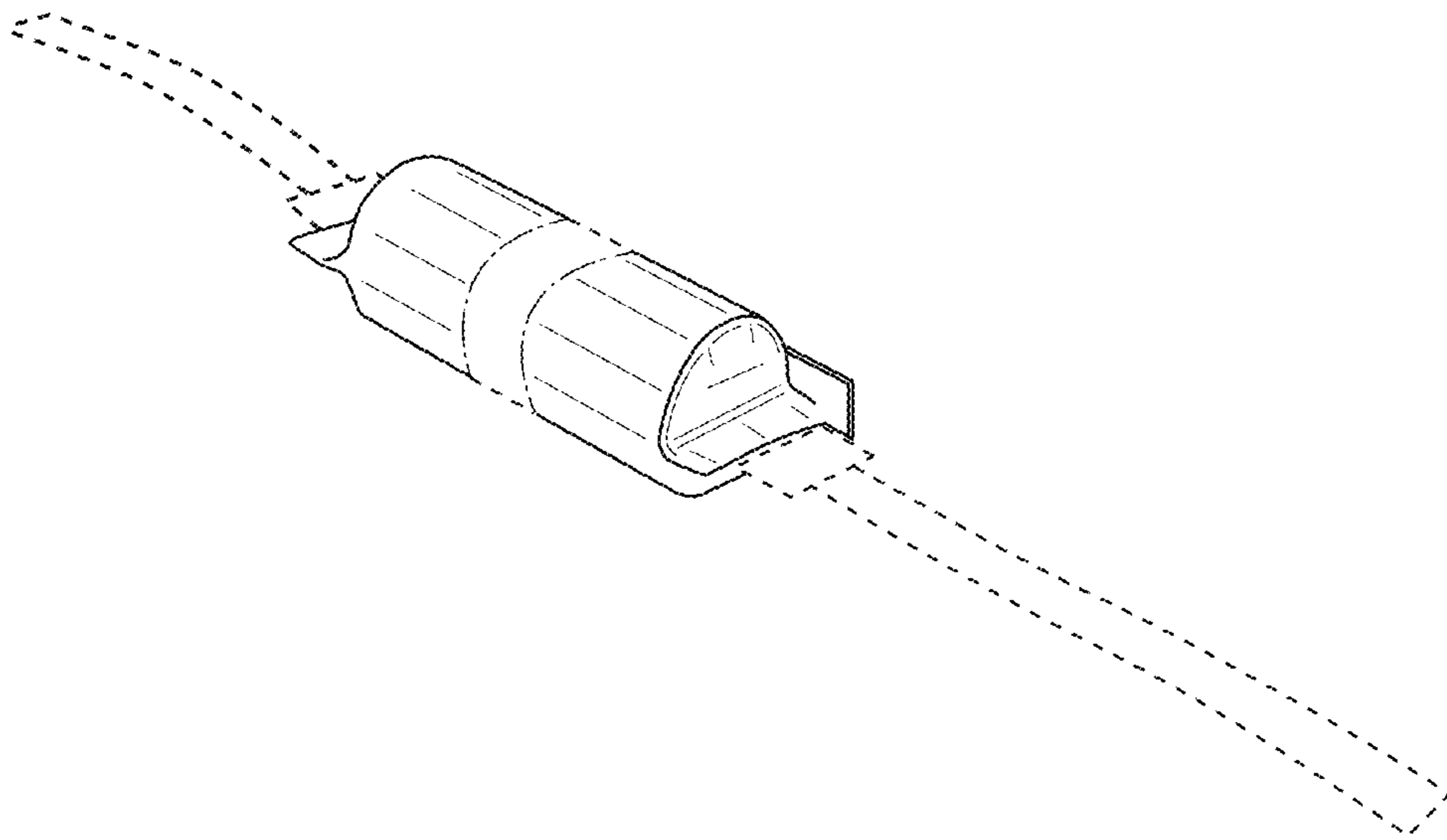


FIG.5

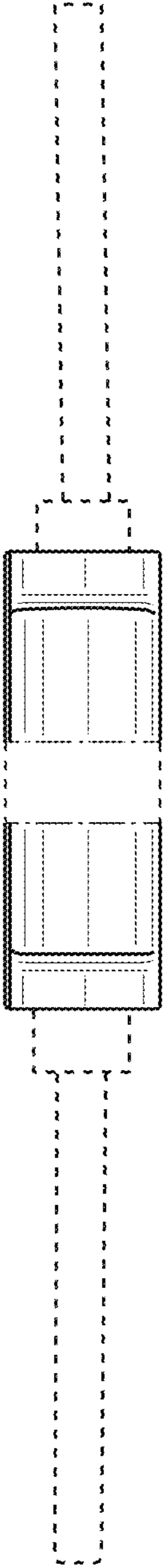


FIG.6

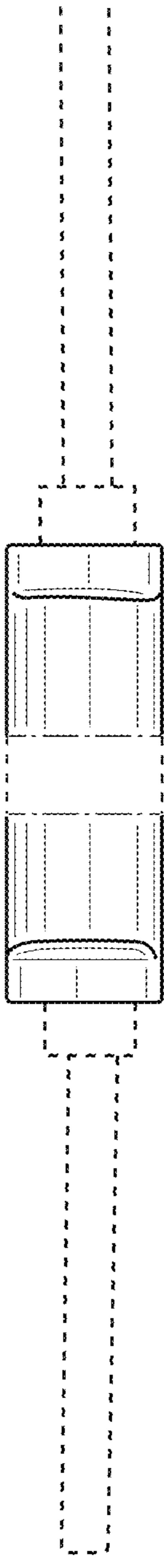


FIG.7

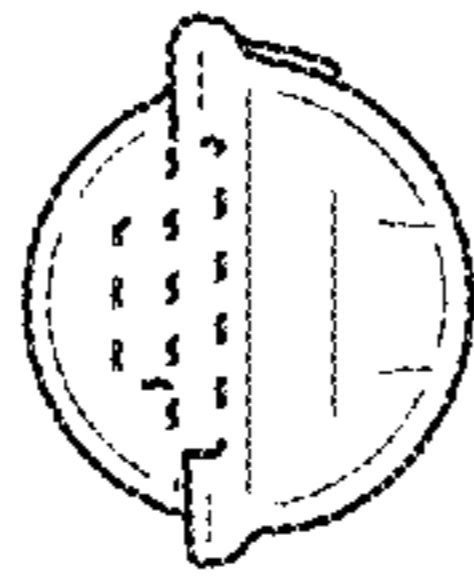


FIG.8

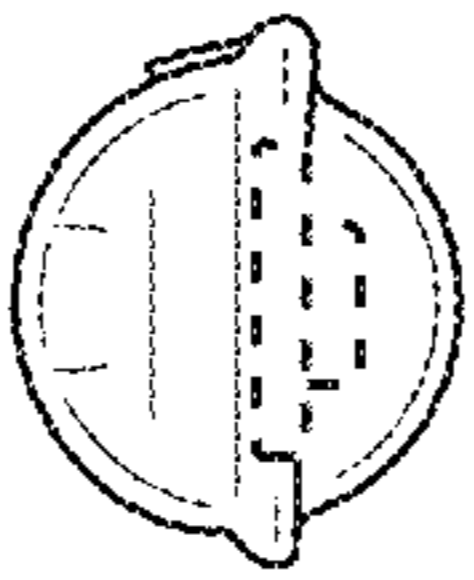




FIG.9

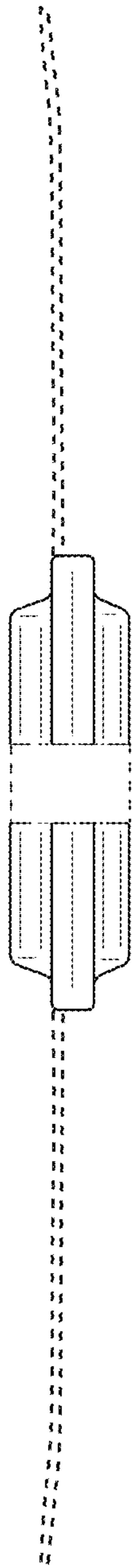


FIG.10

