



US00D811994S

(12) **United States Design Patent**
Hare

(10) **Patent No.:** **US D811,994 S**

(45) **Date of Patent:** **** Mar. 6, 2018**

(54) **BATTERY PACK**

(71) Applicant: **USP Limited**, Minster Lovell, Oxford (GB)

(72) Inventor: **Stephen John Hare**, Minster Lovell (GB)

(73) Assignee: **JSP LIMITED**, Minster Lovell (GB)

(**) Term: **15 Years**

(21) Appl. No.: **29/552,337**

(22) Filed: **Jan. 21, 2016**

(30) **Foreign Application Priority Data**

Aug. 13, 2015 (EM) 002754093

Sep. 16, 2015 (EM) 002773820

(51) **LOC (11) Cl.** **13-02**

(52) **U.S. Cl.**

USPC **D13/103**

(58) **Field of Classification Search**

USPC D13/102–106, 110, 118–119, 184

CPC Y02E 60/12; Y02E 60/122; Y02E 60/124;

Y02E 60/50; H01M 2/02; H01M 2/022;

H01M 2/0202; H01M 2/0207; H01M

2/0212; H01M 2/1061; H01M 2/1022;

H01M 2/1055; H01M 2/1066; H01M

2/105; H01M 2/204; H01M 2/1016;

H01M 2200/00; H01M 10/4257; H01M

10/0436; H01M 10/48; H01M 10/42

See application file for complete search history.

(56) **References Cited**

U.S. PATENT DOCUMENTS

D391,622 S * 3/1998 Huynh D13/103

D546,277 S * 7/2007 Andre D13/103

| | | | | |
|-------------------|--------|-----------|-------|------------------------|
| D568,240 S * | 5/2008 | Haydvogel | | D13/103 |
| D595,221 S * | 6/2009 | Schussler | | D13/103 |
| D618,167 S * | 6/2010 | Tiffe | | D13/103 |
| D642,517 S * | 8/2011 | Inman | | D13/103 |
| D686,981 S * | 7/2013 | Koyabu | | D13/103 |
| D709,824 S * | 7/2014 | Evans | | D13/103 |
| D726,356 S * | 4/2015 | Windom | | D13/103 |
| D760,644 S * | 7/2016 | Phillips | | D13/103 |
| D778,235 S * | 2/2017 | Geier | | D13/103 |
| D788,698 S * | 6/2017 | Lin | | D13/103 |
| 2002/0079864 A1 * | 6/2002 | Soumi | | H02J 7/0044 320/115 |

* cited by examiner

Primary Examiner — Rosemary K Tarcza

Assistant Examiner — Nathaniel D. Buckner

(74) *Attorney, Agent, or Firm* — King & Schickli, PLLC

(57) **CLAIM**

The ornamental design for a battery pack, as shown and described.

DESCRIPTION

FIG. 1 is a perspective view of a battery pack;

FIG. 2 is a front view of the battery pack;

FIG. 3 is a side view of the battery pack;

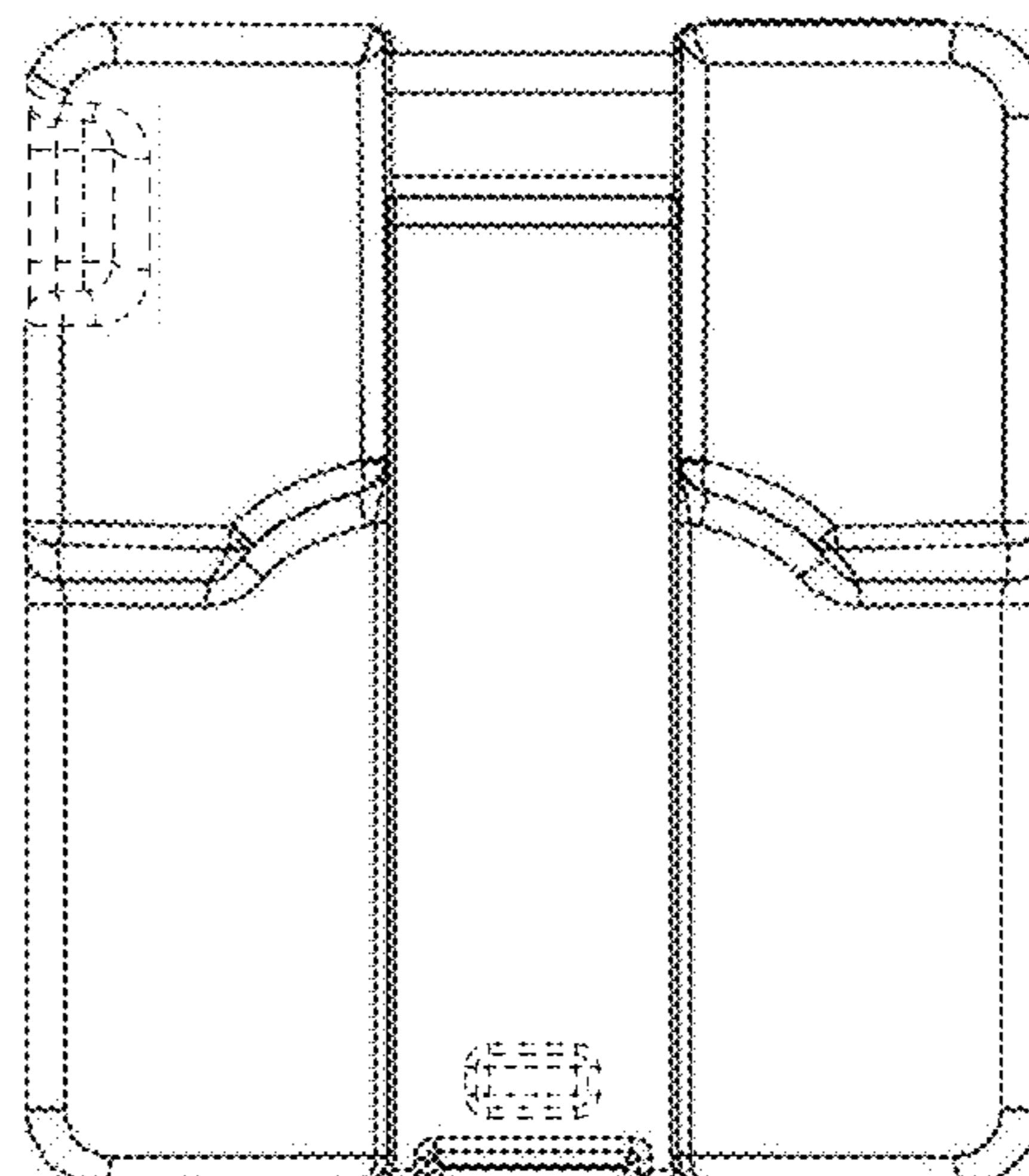
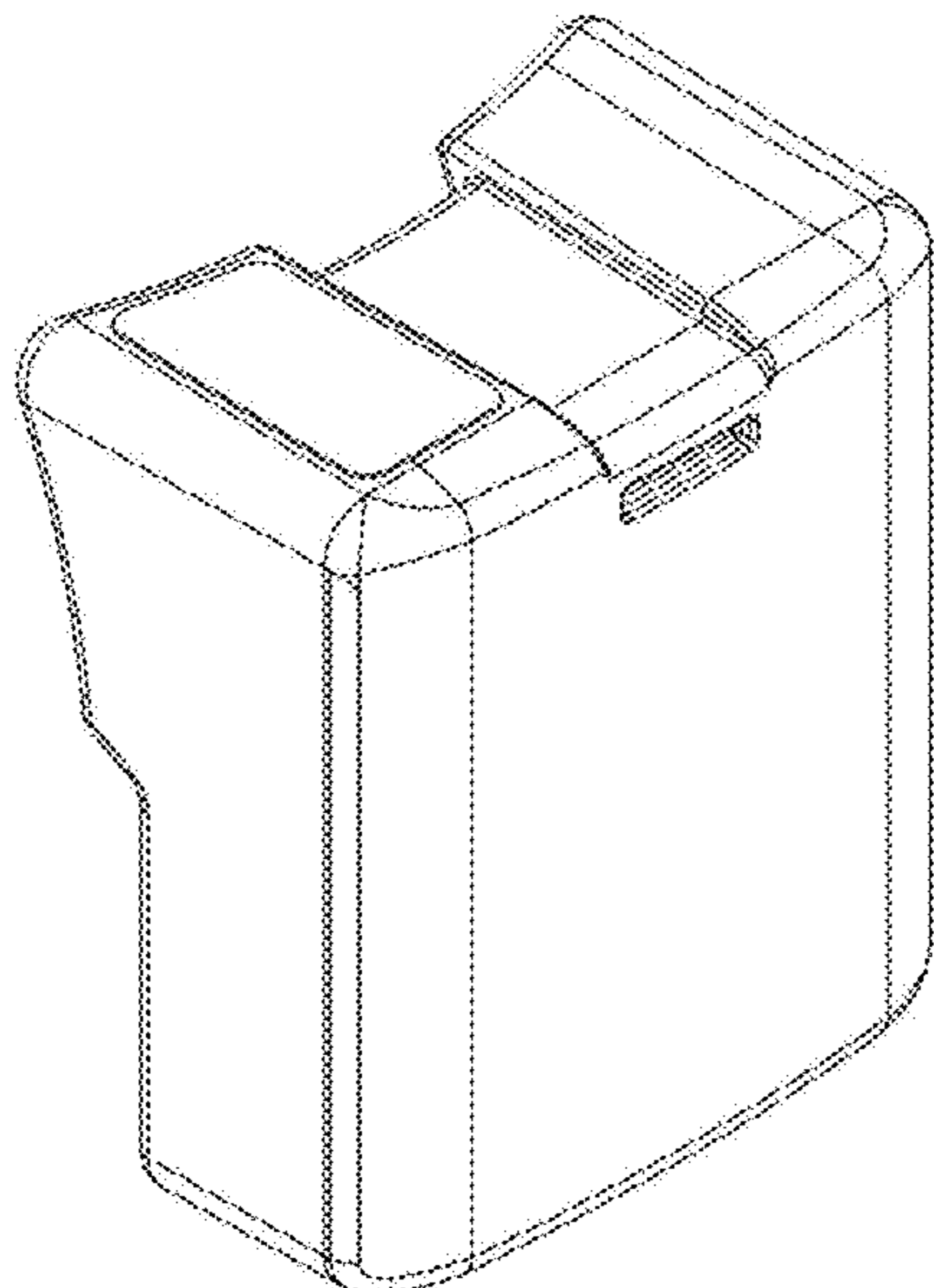
FIG. 4 is a top view of the battery pack;

FIG. 5 is a bottom view of the battery pack; and,

FIG. 6 is a rear view of the battery pack.

The broken lines shown in the drawings are included for the purpose of illustrating portions of the battery pack and form no part of the claimed design.

1 Claim, 3 Drawing Sheets



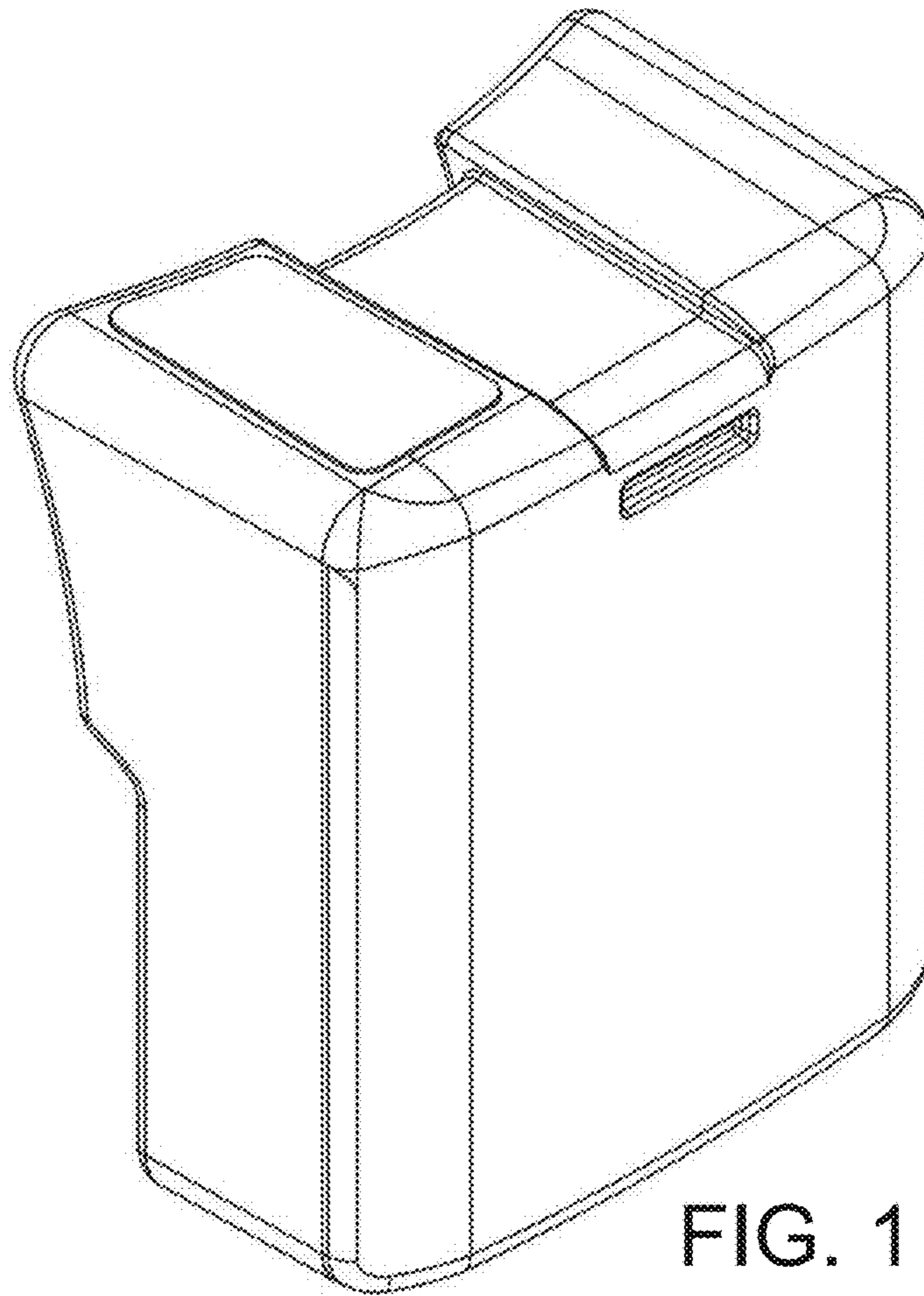


FIG. 1

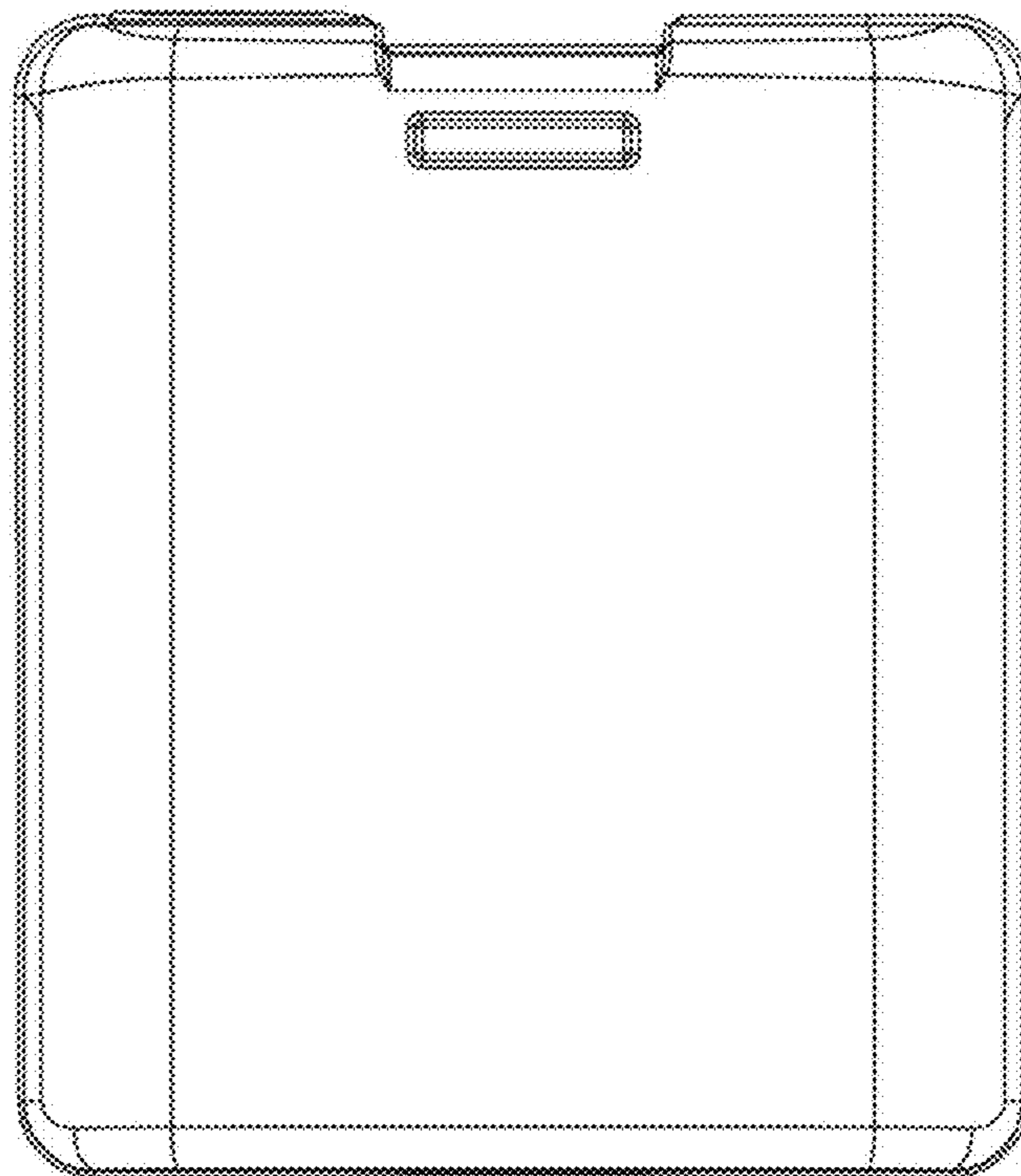


FIG. 2

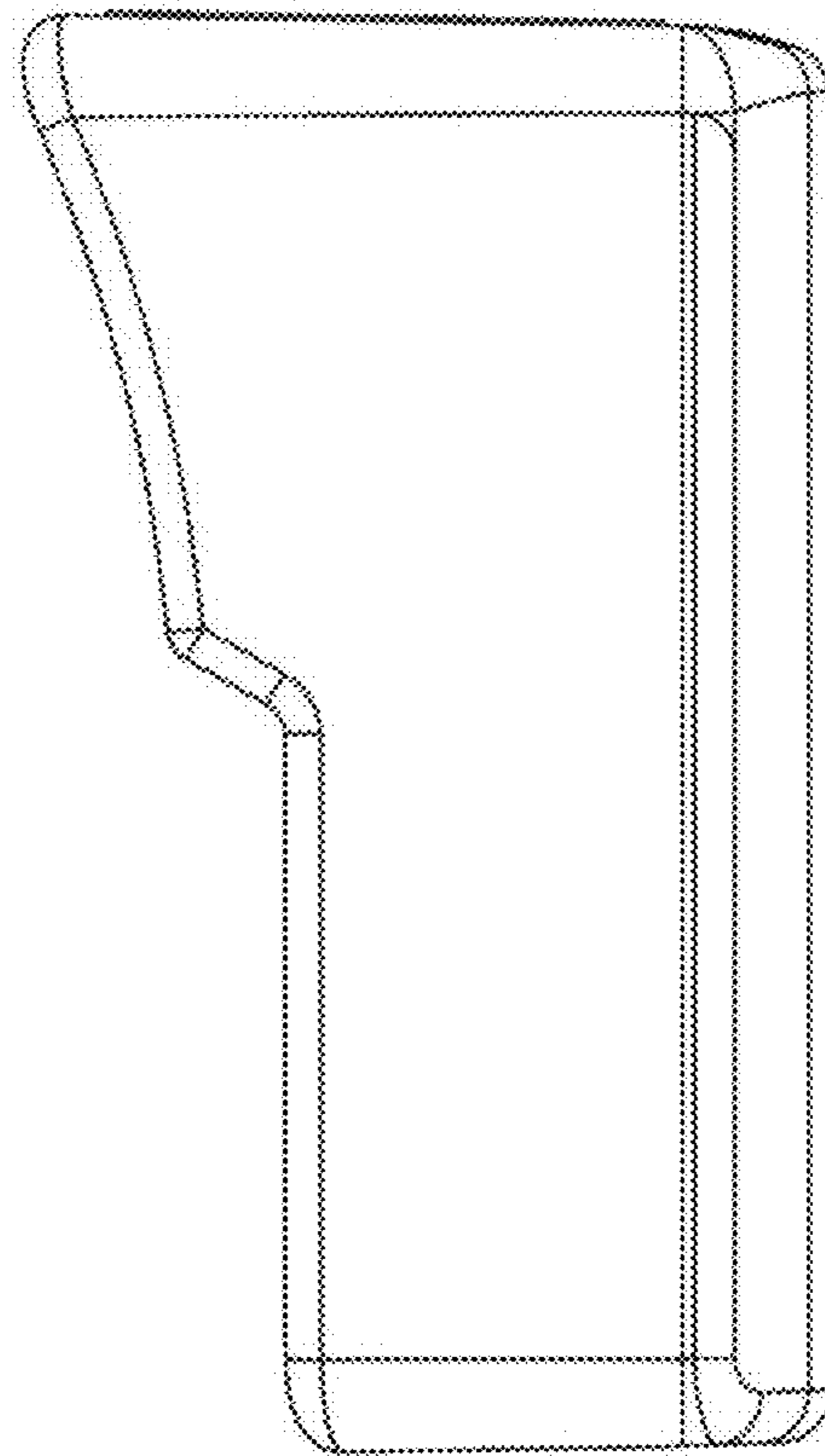


FIG. 3

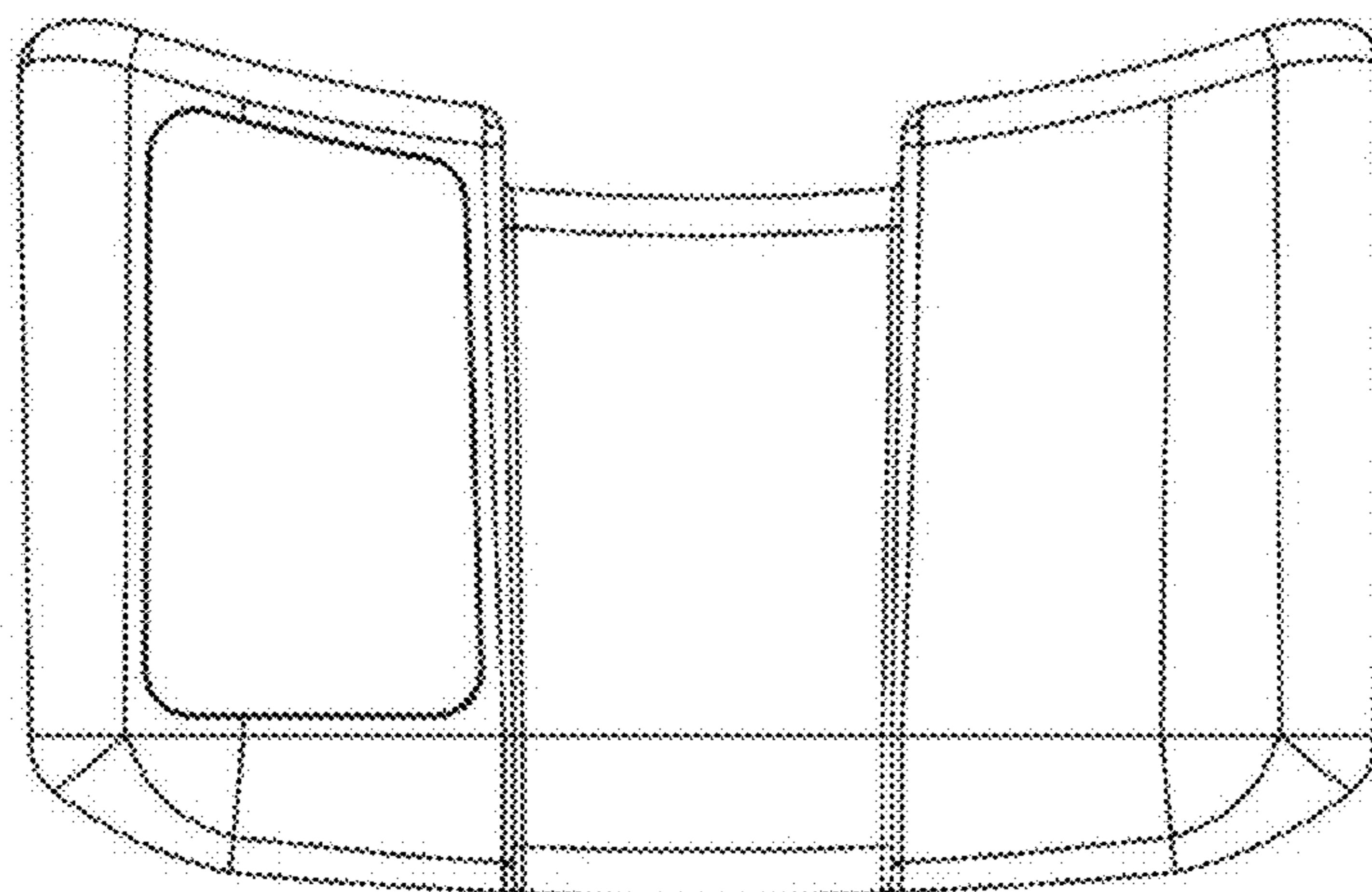


FIG. 4

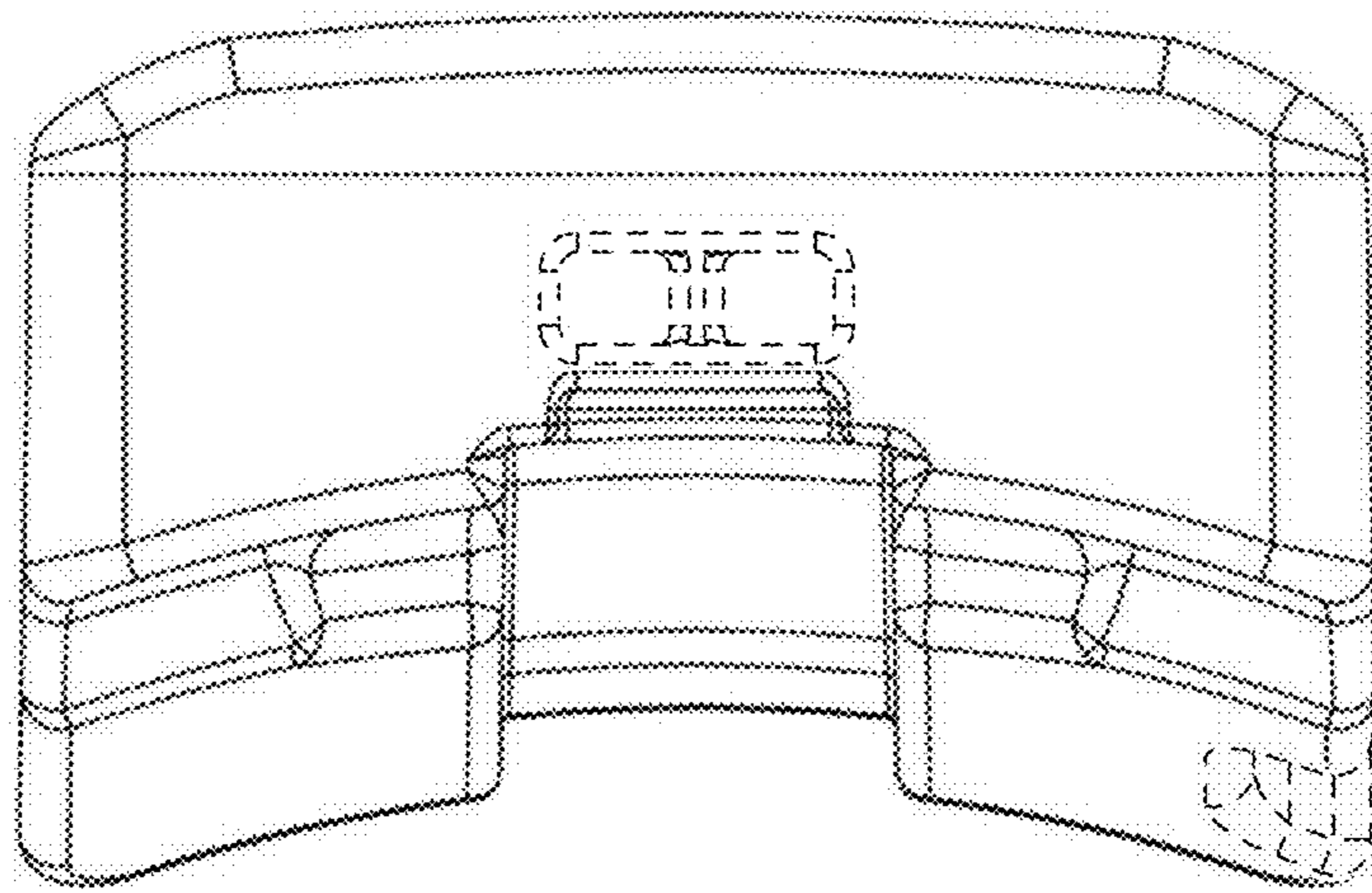


FIG. 5

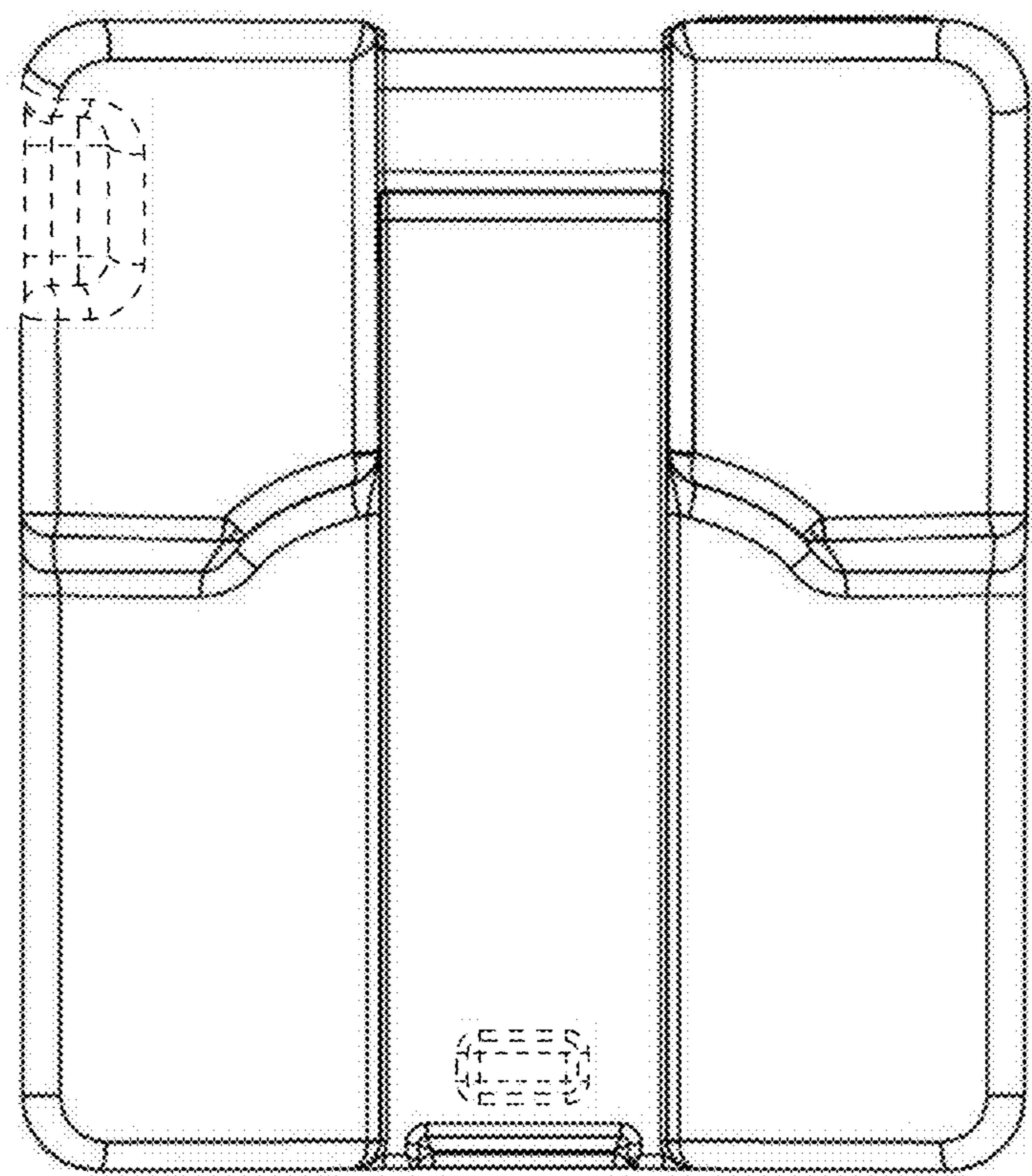


FIG. 6

UNITED STATES PATENT AND TRADEMARK OFFICE
CERTIFICATE OF CORRECTION

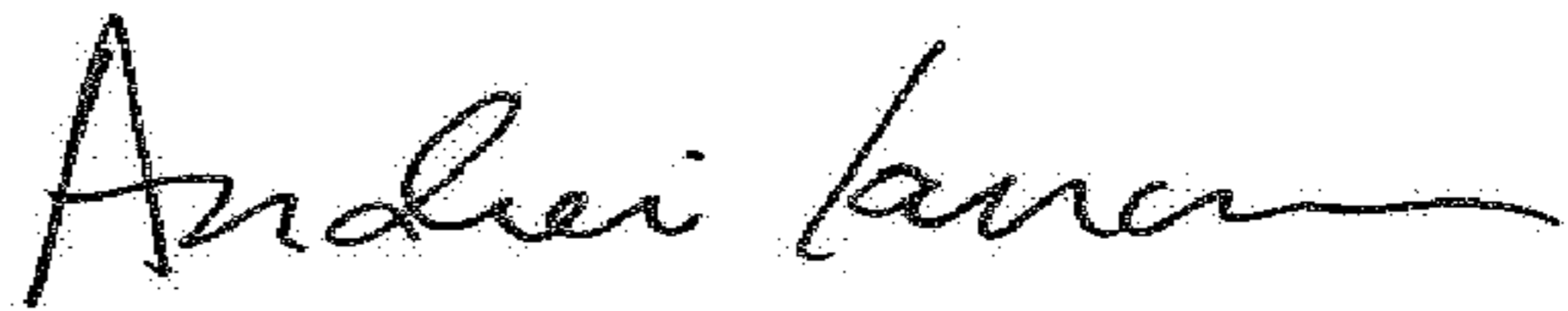
PATENT NO. : D811,994 S
APPLICATION NO. : 29/552337
DATED : March 6, 2018
INVENTOR(S) : Stephen John Hare

Page 1 of 1

It is certified that error appears in the above-identified patent and that said Letters Patent is hereby corrected as shown below:

On the Title Page

Item [71], replace "USP Limited" with -- JSP Limited --.

Signed and Sealed this
Twenty-sixth Day of June, 2018

Andrei Iancu
Director of the United States Patent and Trademark Office