



US00D811991S

(12) **United States Design Patent**  
**Yasunaga**

(10) **Patent No.:** **US D811,991 S**  
(45) **Date of Patent:** **\*\* Mar. 6, 2018**

(54) **TIRE**

FOREIGN PATENT DOCUMENTS

(71) Applicant: **Toyo Tire & Rubber Co., Ltd.**,  
Osaka-shi, Osaka (JP)  
(72) Inventor: **Toshikazu Yasunaga**, Osaka (JP)  
(73) Assignee: **Toyo Tire & Rubber Co., Ltd.**, Osaka  
(JP)

JP 1482411 10/2013  
JP 1488853 1/2014

\* cited by examiner

*Primary Examiner* — Robert M. Spear  
(74) *Attorney, Agent, or Firm* — Sterne, Kessler,  
Goldstein & Fox P.L.L.C.

(\*\*) Term: **15 Years**

(21) Appl. No.: **29/587,618**

(22) Filed: **Dec. 14, 2016**

(30) **Foreign Application Priority Data**

Jul. 8, 2016 (JP) ..... 2016-014628

(51) **LOC (11) Cl.** ..... **12-15**

(52) **U.S. Cl.**  
USPC ..... **D12/583**

(58) **Field of Classification Search**  
USPC ..... D12/579, 582, 583, 584, 585, 590, 596,  
D12/597, 602, 603  
CPC ..... B60C 11/03; B60C 2011/0344  
See application file for complete search history.

(56) **References Cited**

U.S. PATENT DOCUMENTS

D735,642 S \* 8/2015 Miyazaki ..... D12/583  
D758,291 S \* 6/2016 Sareen ..... D12/583  
D764,391 S \* 8/2016 Shen ..... D12/584  
D764,392 S \* 8/2016 Fu ..... D12/585  
D767,477 S \* 9/2016 Robelo ..... D12/583  
D780,099 S \* 2/2017 Parr ..... D12/584

(57) **CLAIM**

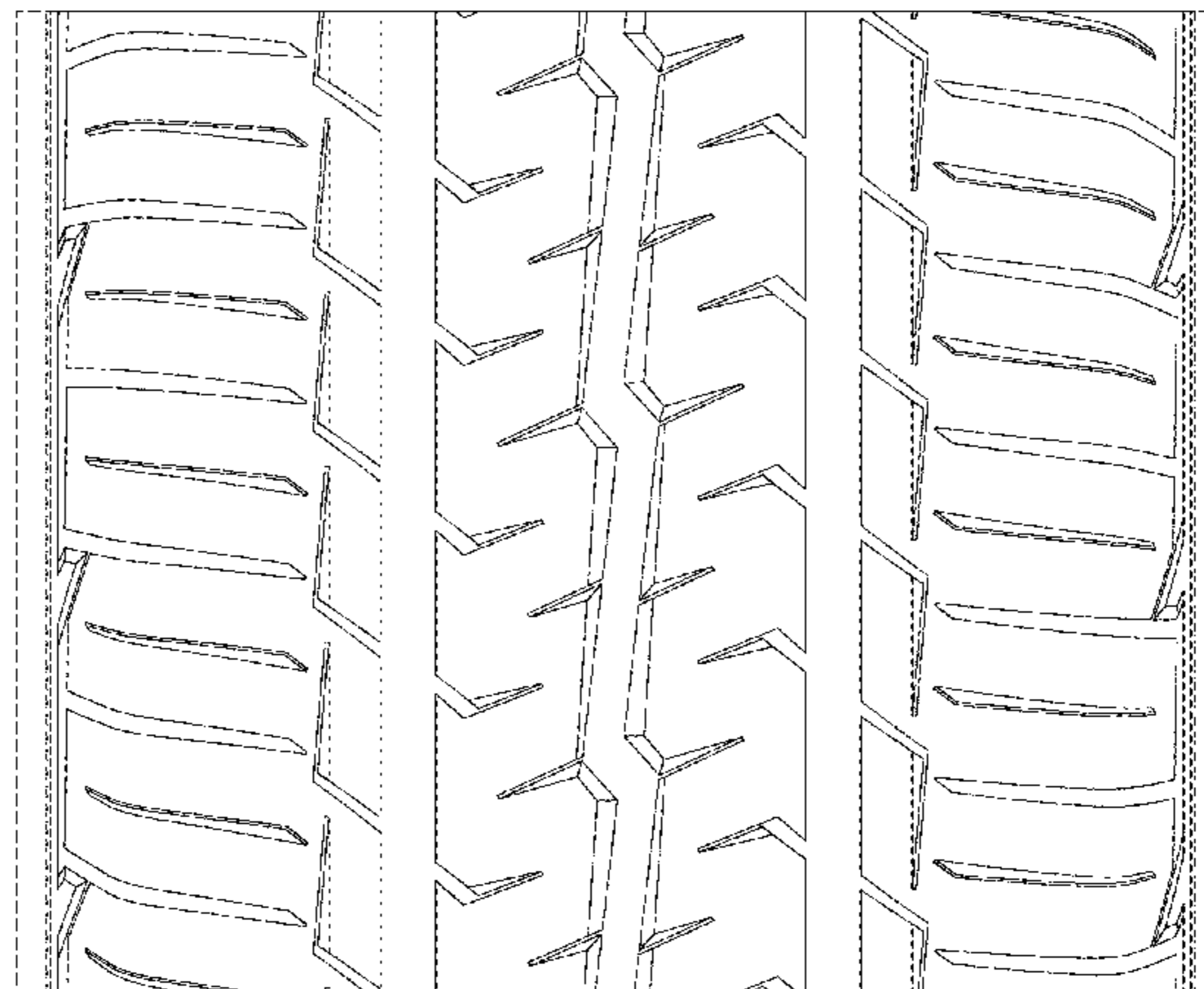
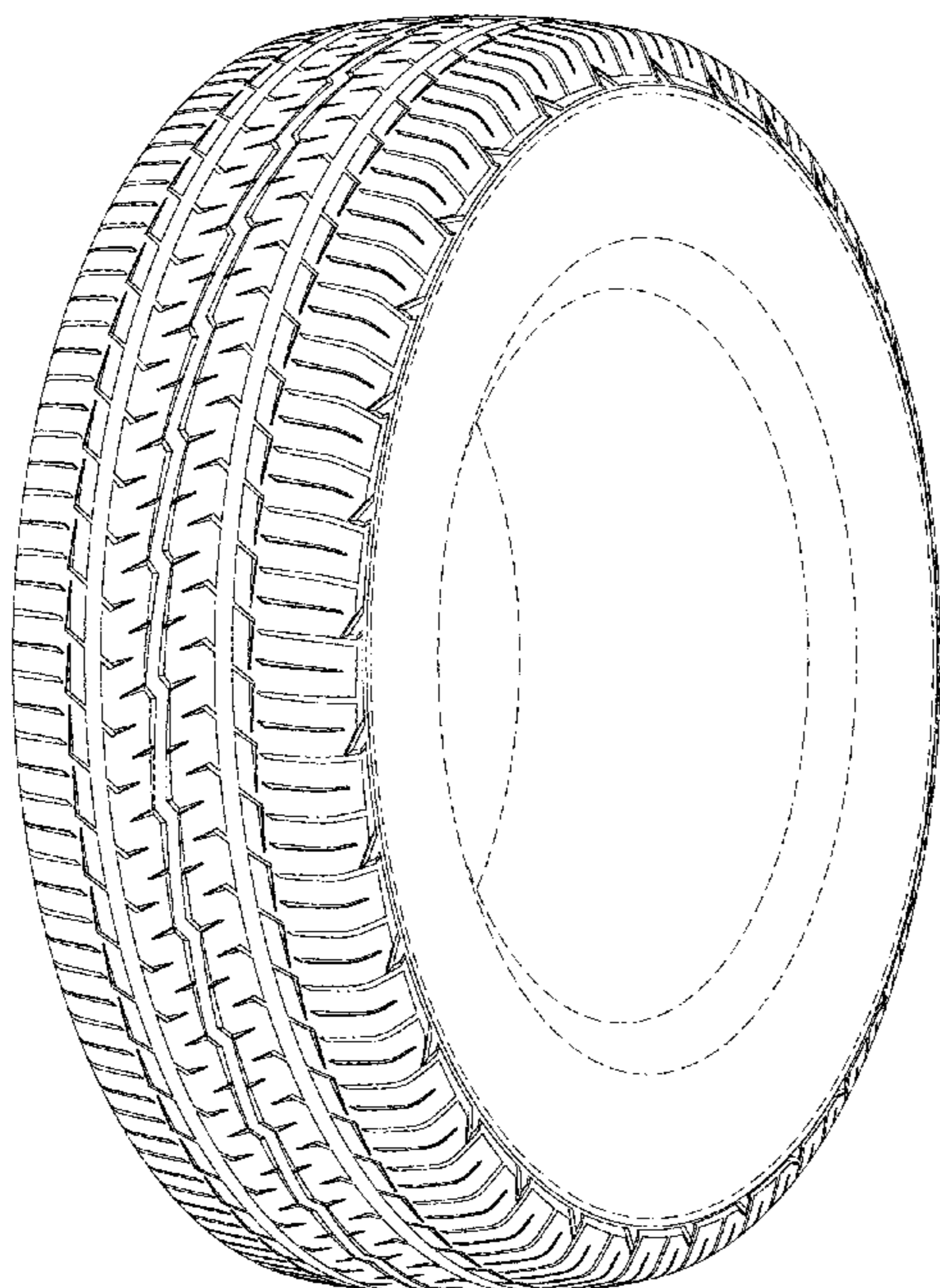
The ornamental design for a tire, as shown and described.

**DESCRIPTION**

FIG. 1 is a front perspective view of a tire showing the claimed design;  
FIG. 2 is a front view thereof;  
FIG. 3 is a rear view thereof;  
FIG. 4 is a top plan view thereof, the bottom plan view being the same;  
FIG. 5 is a right side view thereof;  
FIG. 6 is a left side view thereof;  
FIG. 7 is an enlarged cross-sectional view taken along line 7-7 in FIG. 2;  
FIG. 8 is an enlarged cross-sectional view taken along line 8-8 in FIG. 2; and  
FIG. 9 is an enlarged view of the portion between 9-9 and 9'-9' in FIG. 2.

In the drawings, the broken lines showing portions of the sidewall, inner bead, and peripheral boundary depict portions of the tire that form no part of the claimed design.

**1 Claim, 9 Drawing Sheets**



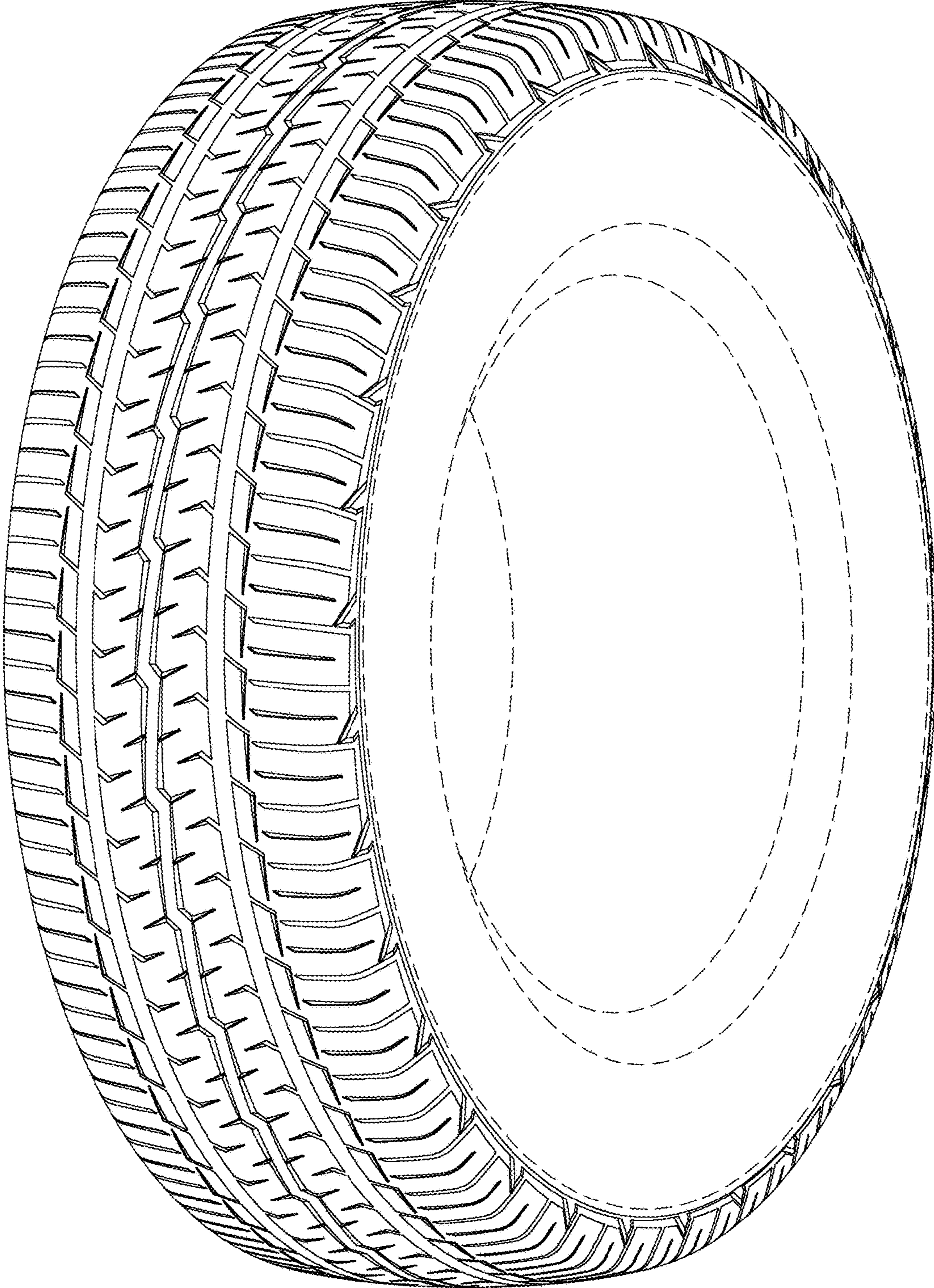


FIG. 1



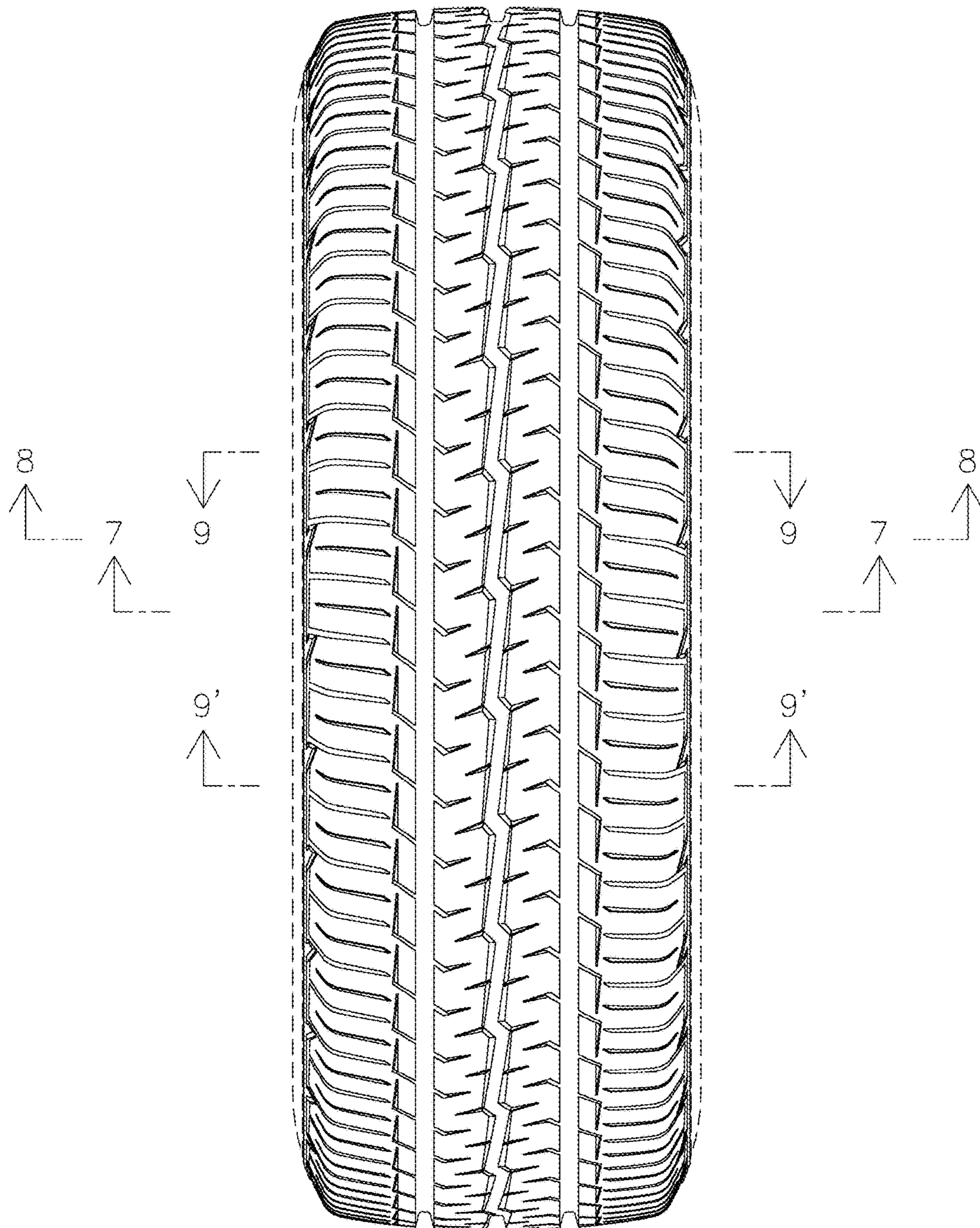


FIG. 2

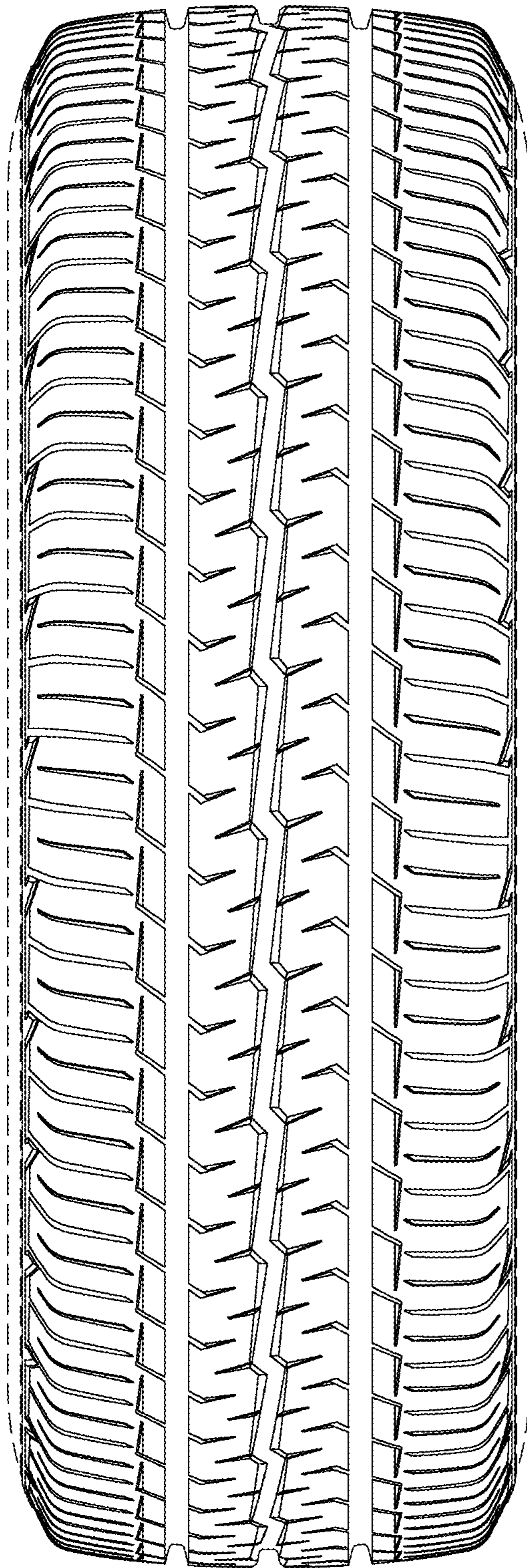


FIG. 3



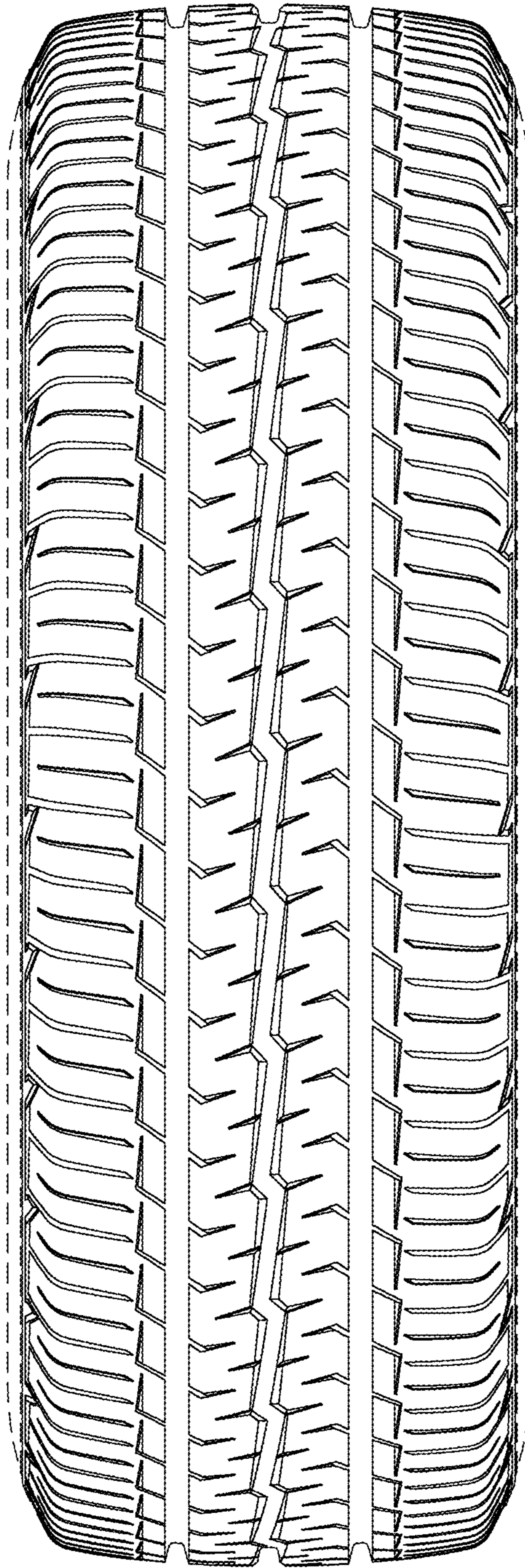


FIG. 4

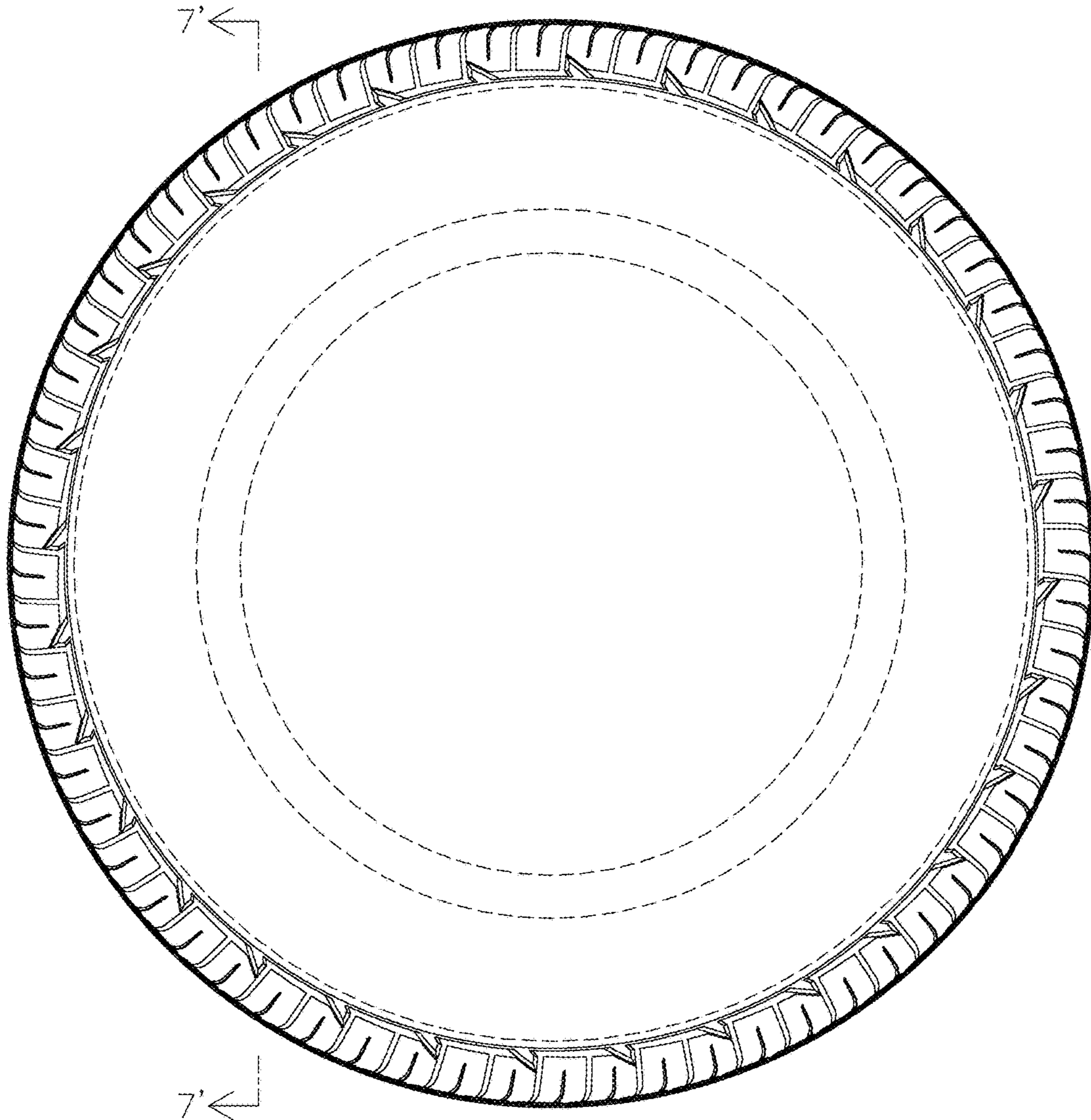


FIG. 5

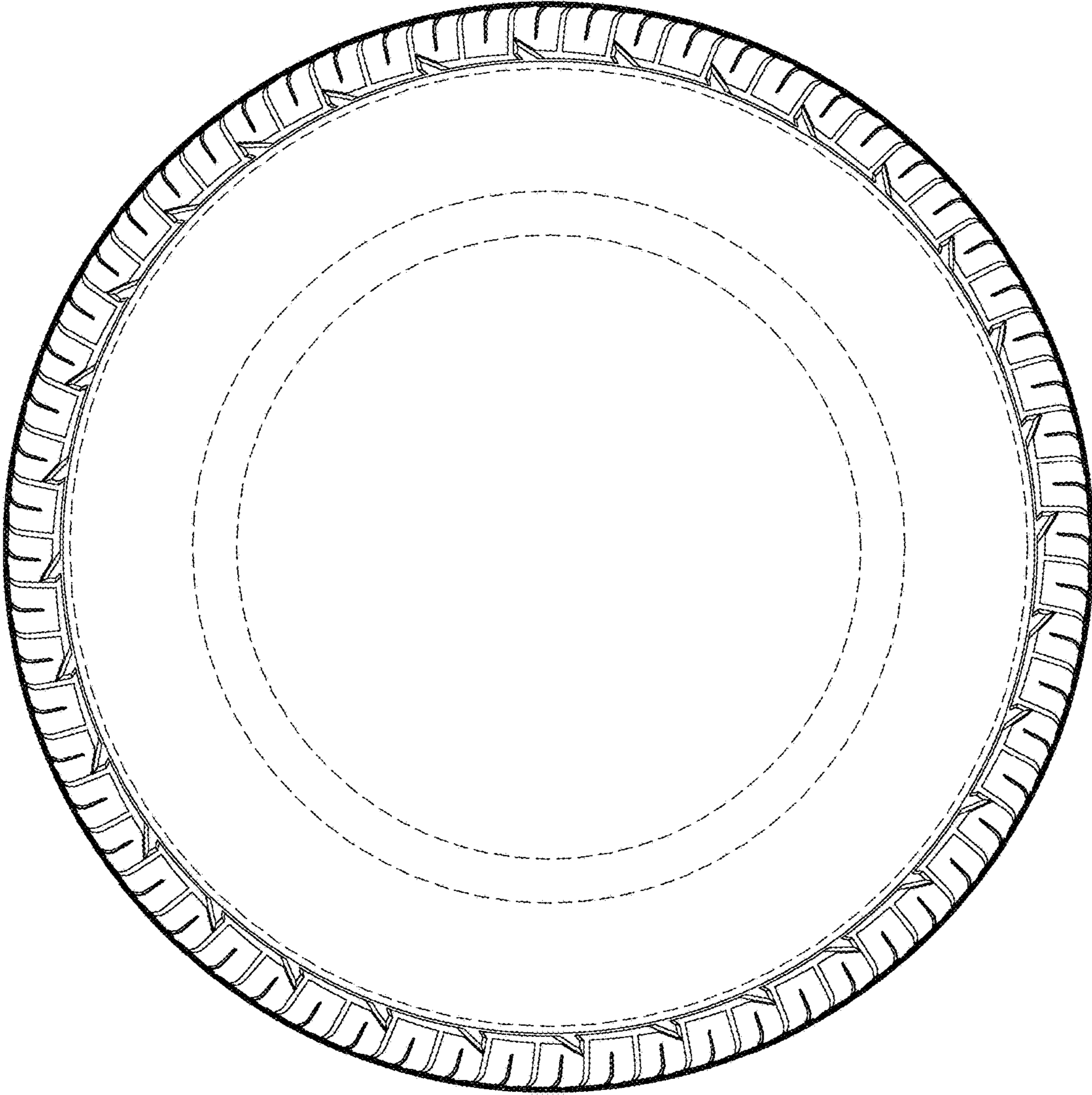


FIG. 6



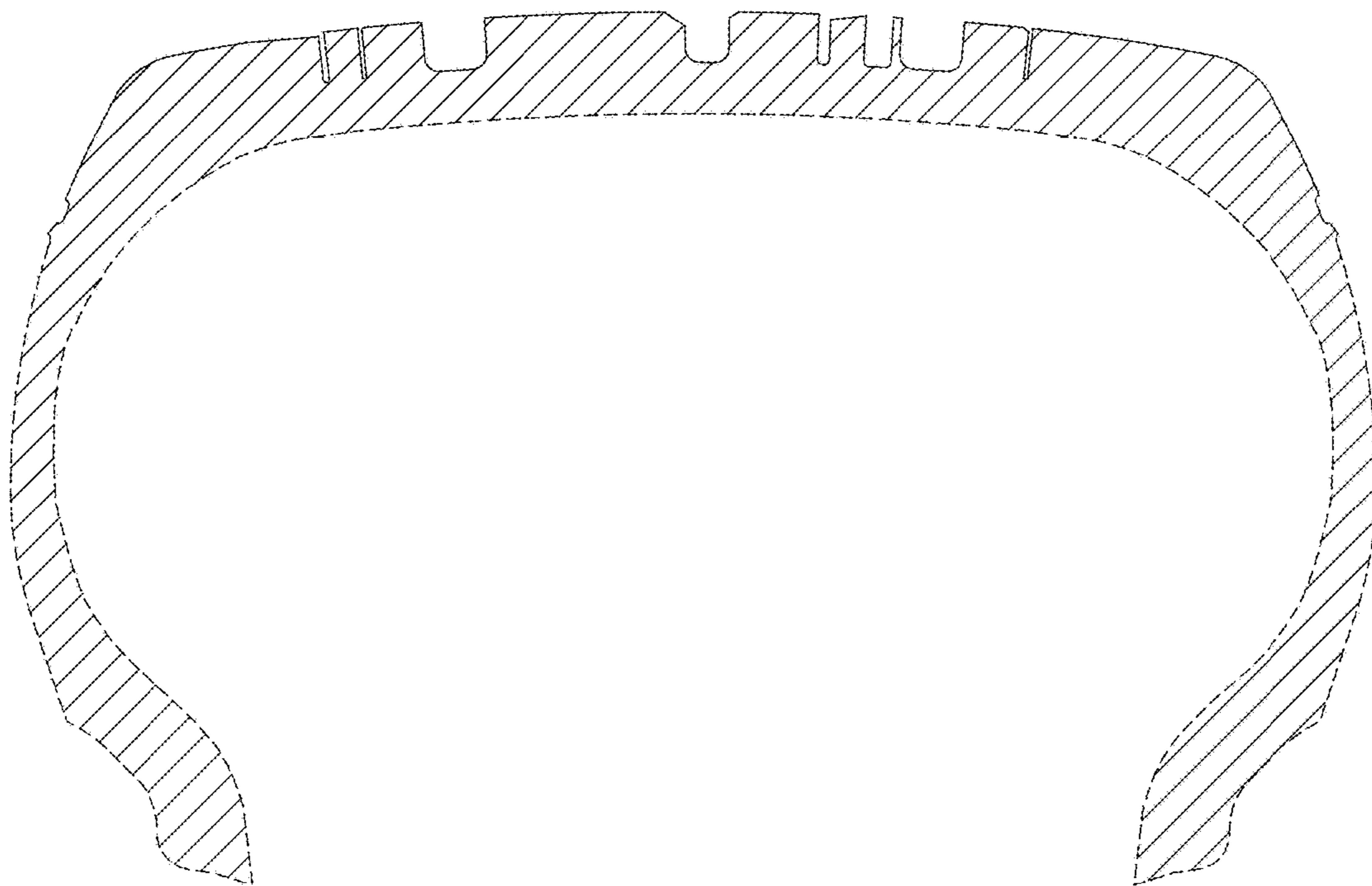


FIG. 7



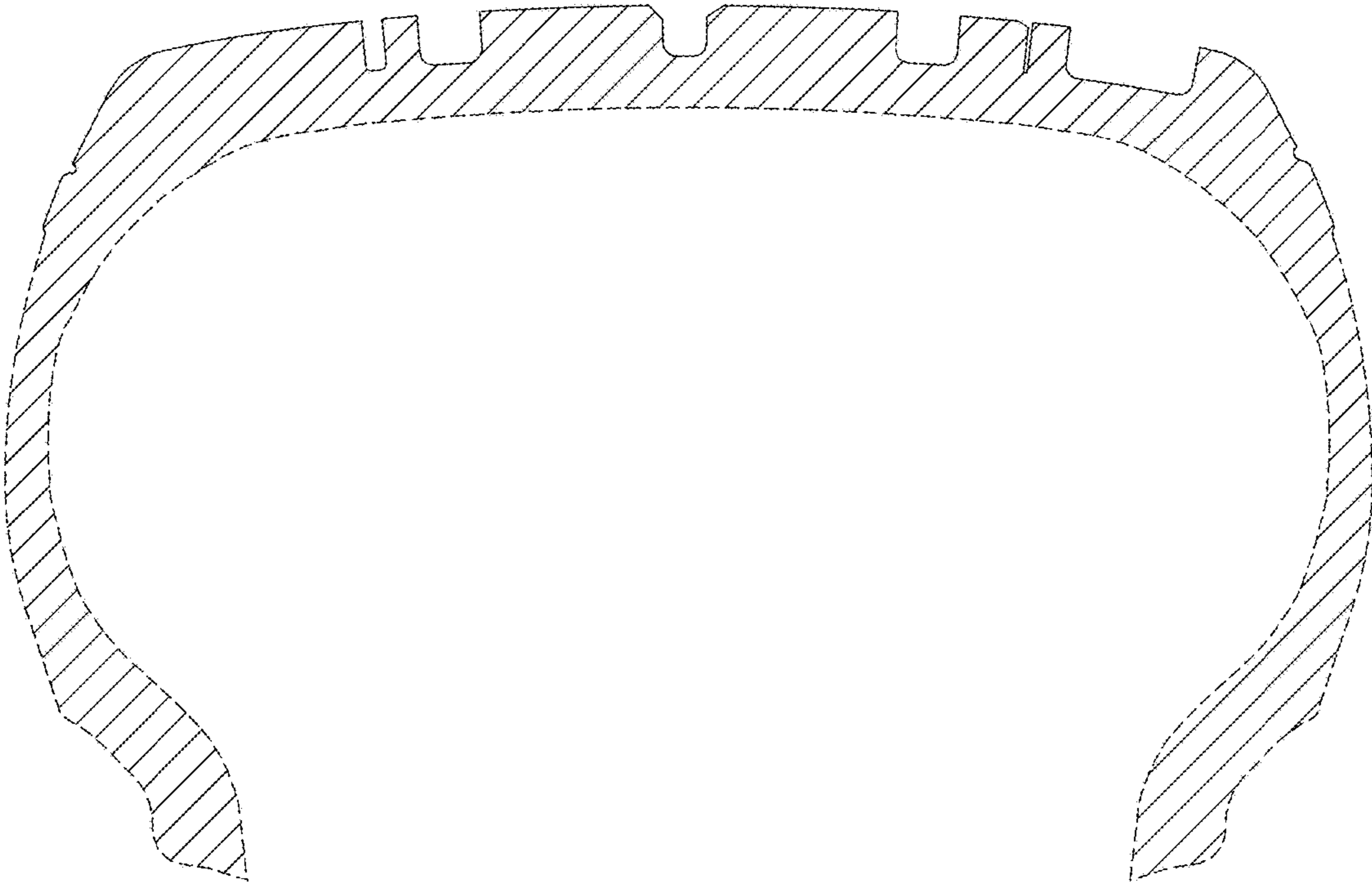


FIG. 8

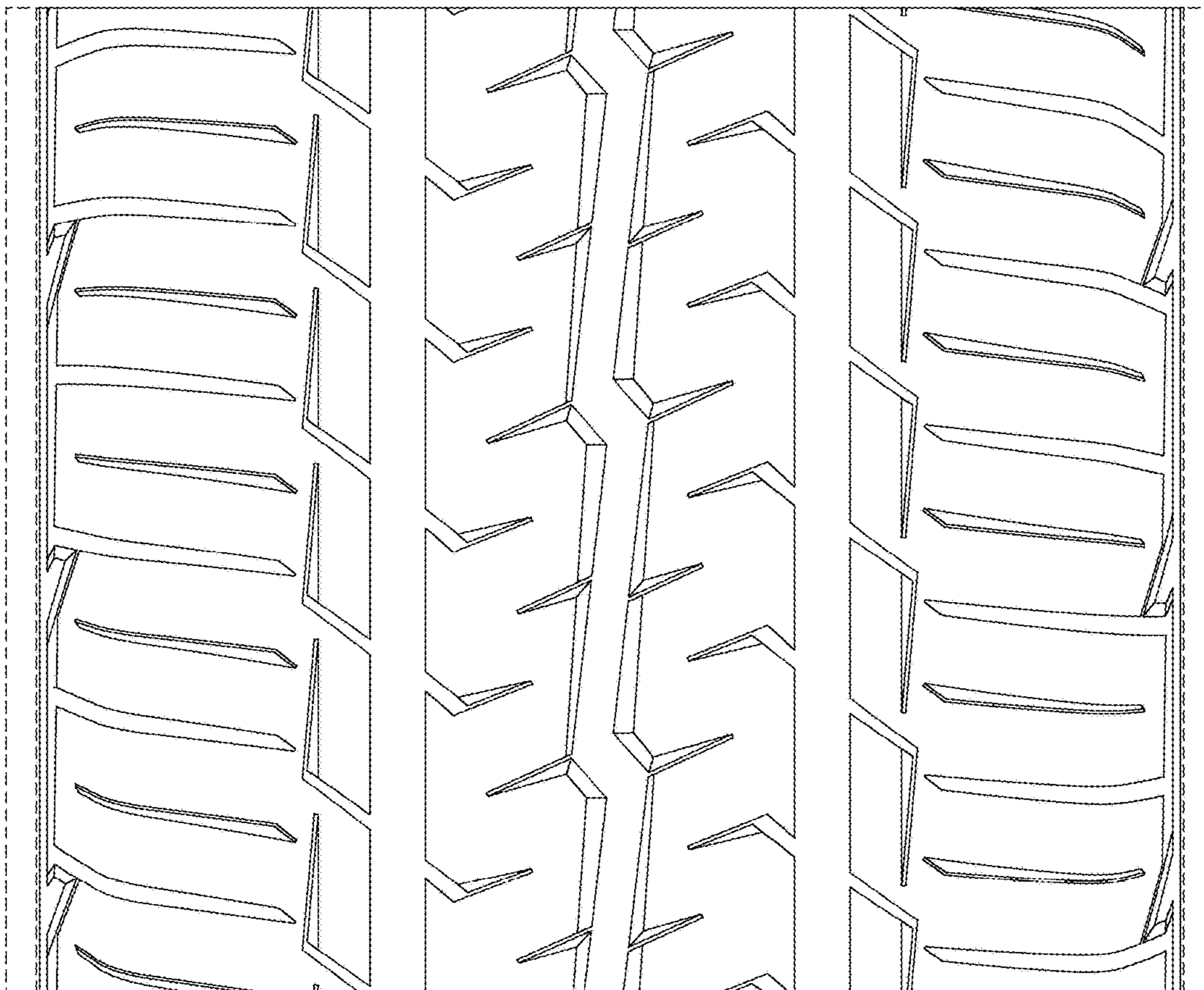


FIG. 9