



US00D811989S

(12) **United States Design Patent**  
**Kim**

(10) **Patent No.:** **US D811,989 S**  
(45) **Date of Patent:** **\*\* Mar. 6, 2018**

(54) **TIRE FOR AN AUTOMOBILE**  
(71) Applicant: **KUMHO TIRE CO., INC.,**  
Gwangsan-gu, Gwangju (KR)  
(72) Inventor: **Tae Min Kim,** Yongin-si (KR)  
(73) Assignee: **Kumho Tire Co., Inc.,** Gwangju (KR)  
(\*\*) Term: **15 Years**

9,120,355 B2 \* 9/2015 Hada ..... B60C 11/0306  
D743,873 S \* 11/2015 Majerus ..... D12/517  
9,174,492 B2 \* 11/2015 Nomura ..... B60C 11/0304  
D744,406 S \* 12/2015 Bosch Alsina ..... D12/521  
D769,794 S \* 10/2016 Kujime ..... D12/523  
D781,775 S \* 3/2017 Hayashi ..... D12/523  
D785,544 S \* 5/2017 Hayashi ..... D12/521  
D795,164 S \* 8/2017 Philipot ..... D12/521  
D799,407 S \* 10/2017 Philipot ..... D12/521  
D800,048 S \* 10/2017 Yoon ..... D12/521  
D800,049 S \* 10/2017 Abinal ..... D12/521

\* cited by examiner

(21) Appl. No.: **29/582,587**  
(22) Filed: **Oct. 28, 2016**

*Primary Examiner* — Robert M. Spear  
(74) *Attorney, Agent, or Firm* — Baker Hostetler LLP

(30) **Foreign Application Priority Data**

Jul. 26, 2016 (KR) ..... 30-2016-0036489

(51) **LOC (11) Cl.** ..... **12-15**  
(52) **U.S. Cl.**  
USPC ..... **D12/521**

(57) **CLAIM**

The ornamental design for a tire for an automobile, as shown and described.

(58) **Field of Classification Search**  
USPC ..... D12/515, 516, 517, 518, 519, 521, 522,  
D12/523, 531, 532  
CPC ..... B60C 11/0304; B60C 11/0306; B60C  
11/0309; B60C 11/0311  
See application file for complete search history.

**DESCRIPTION**

FIG. 1 is a perspective view of a tire for an automobile, showing my new design;  
FIG. 2 is a front view thereof;  
FIG. 3 is a rear view thereof;  
FIG. 4 is a left side view thereof;  
FIG. 5 is right side view thereof;  
FIG. 6 is a top view thereof;  
FIG. 7 a bottom view thereof; and,  
FIG. 8 is an enlarged partial view taken on lines a-a, b-b, c-c, and d-d in FIG. 2.

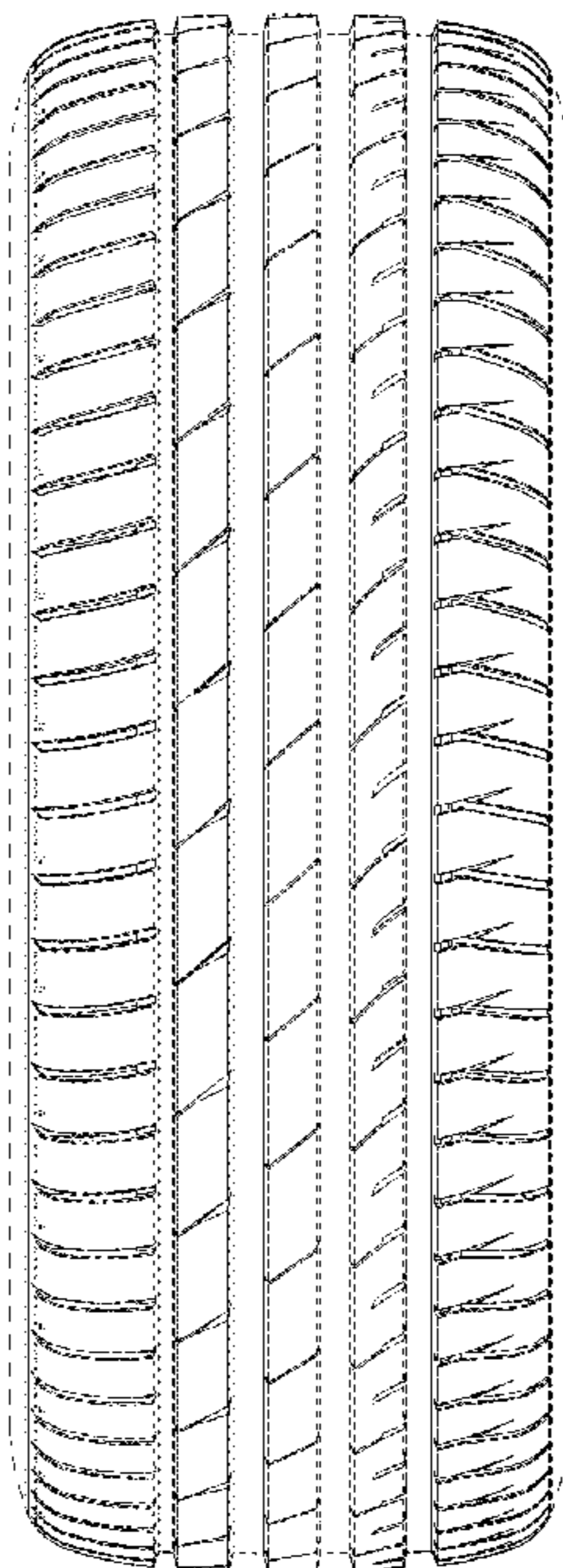
(56) **References Cited**

**U.S. PATENT DOCUMENTS**

D551,156 S \* 9/2007 Shinohara ..... D12/521  
D584,213 S \* 1/2009 Shinkai ..... D12/519  
D586,726 S \* 2/2009 Baumard ..... D12/521  
D624,871 S \* 10/2010 Behr ..... D12/519  
D647,455 S \* 10/2011 Frappart ..... D12/518  
D662,032 S \* 6/2012 Behr ..... D12/516

The broken line showing of features in FIGS. 1-8 are included for the purpose of illustrating environmental structure and form no part of the claimed design.

**1 Claim, 8 Drawing Sheets**



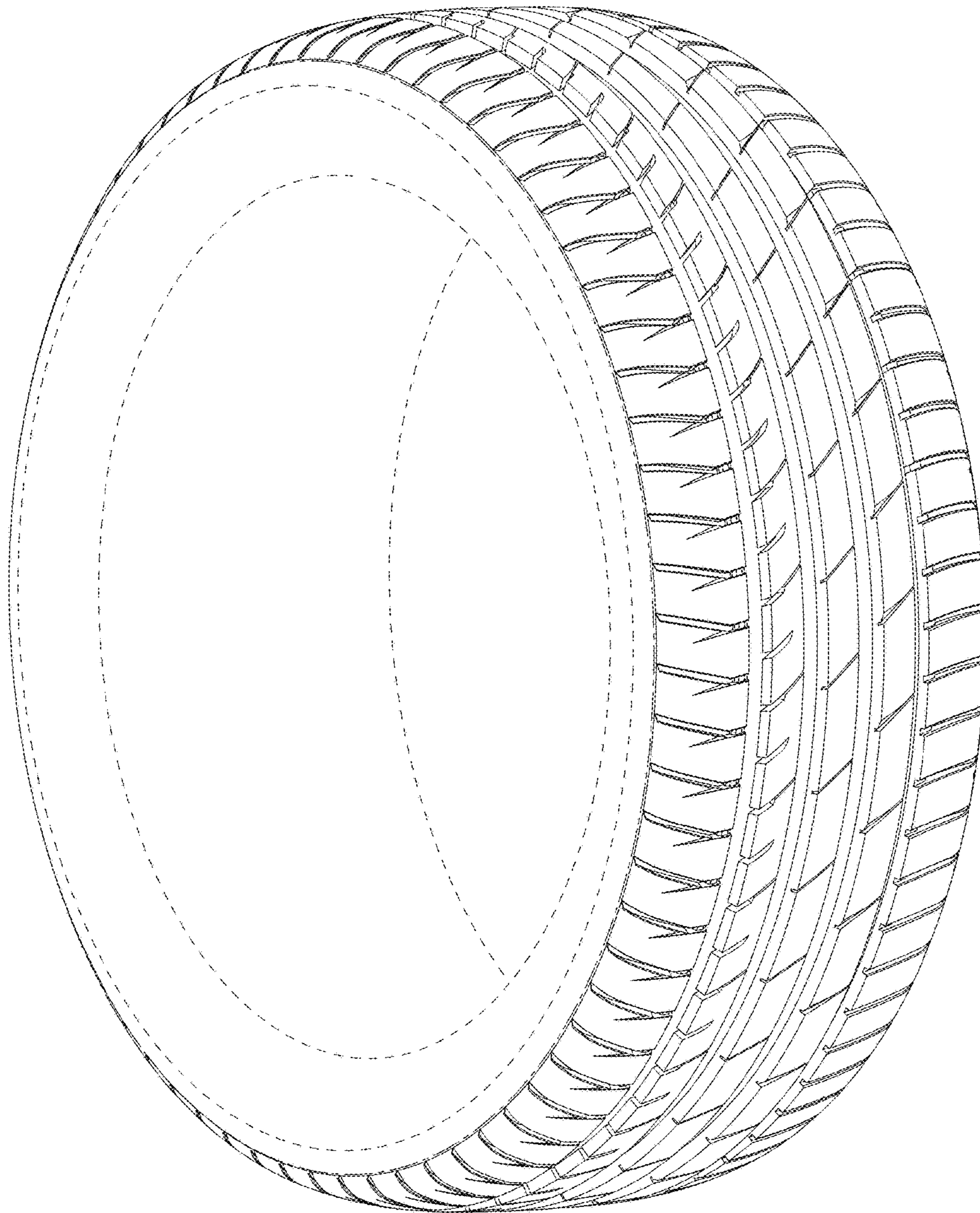


FIG. 1

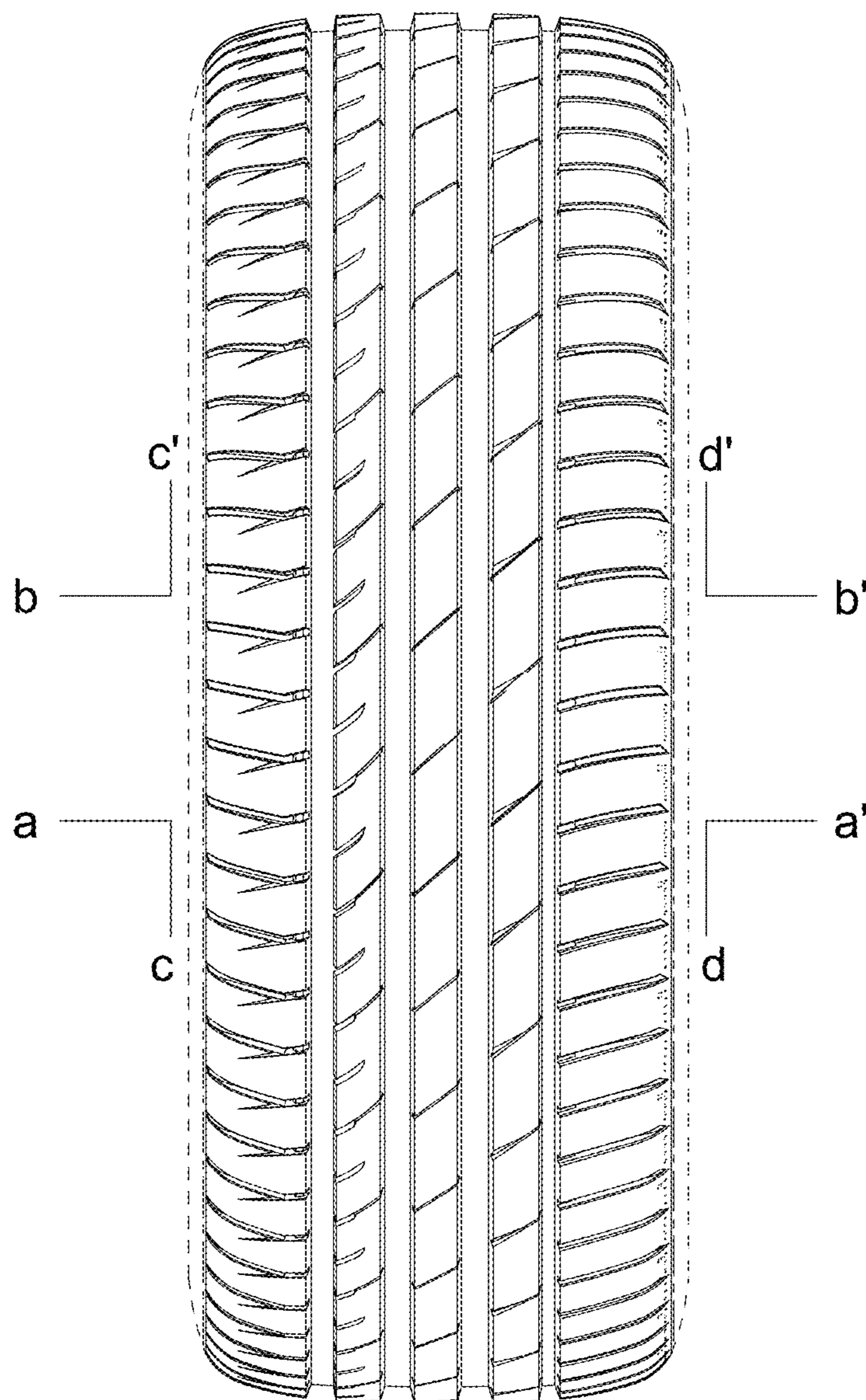


FIG. 2

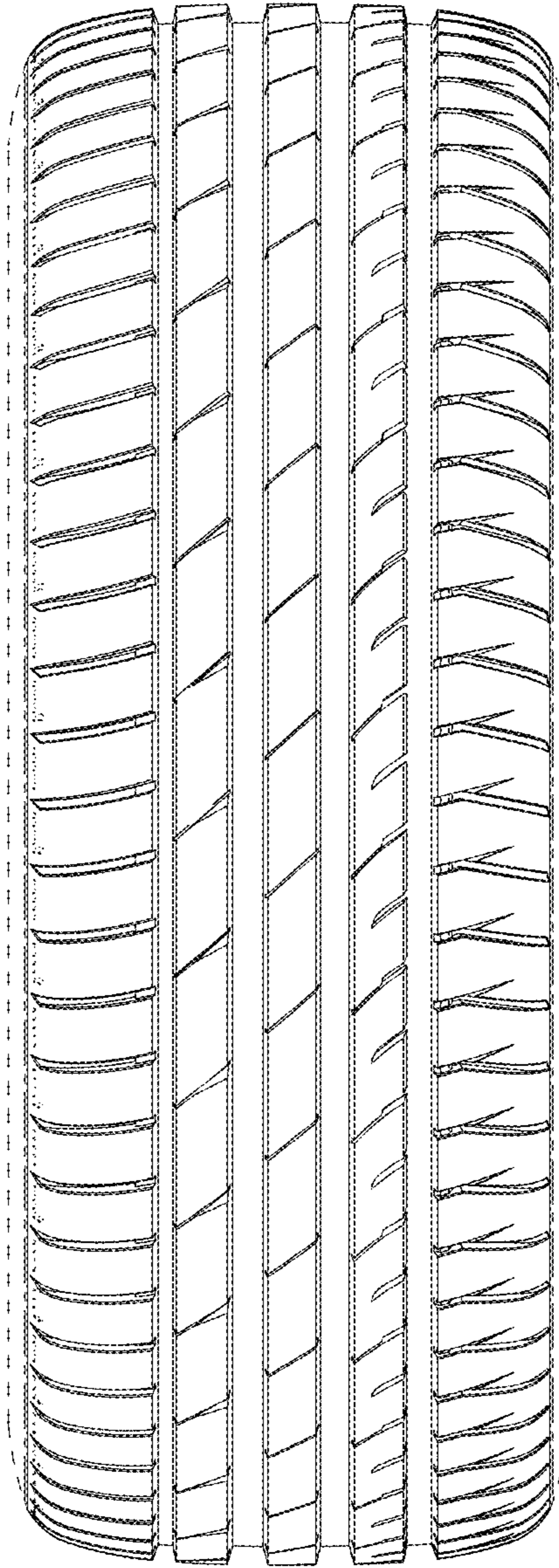


FIG. 3

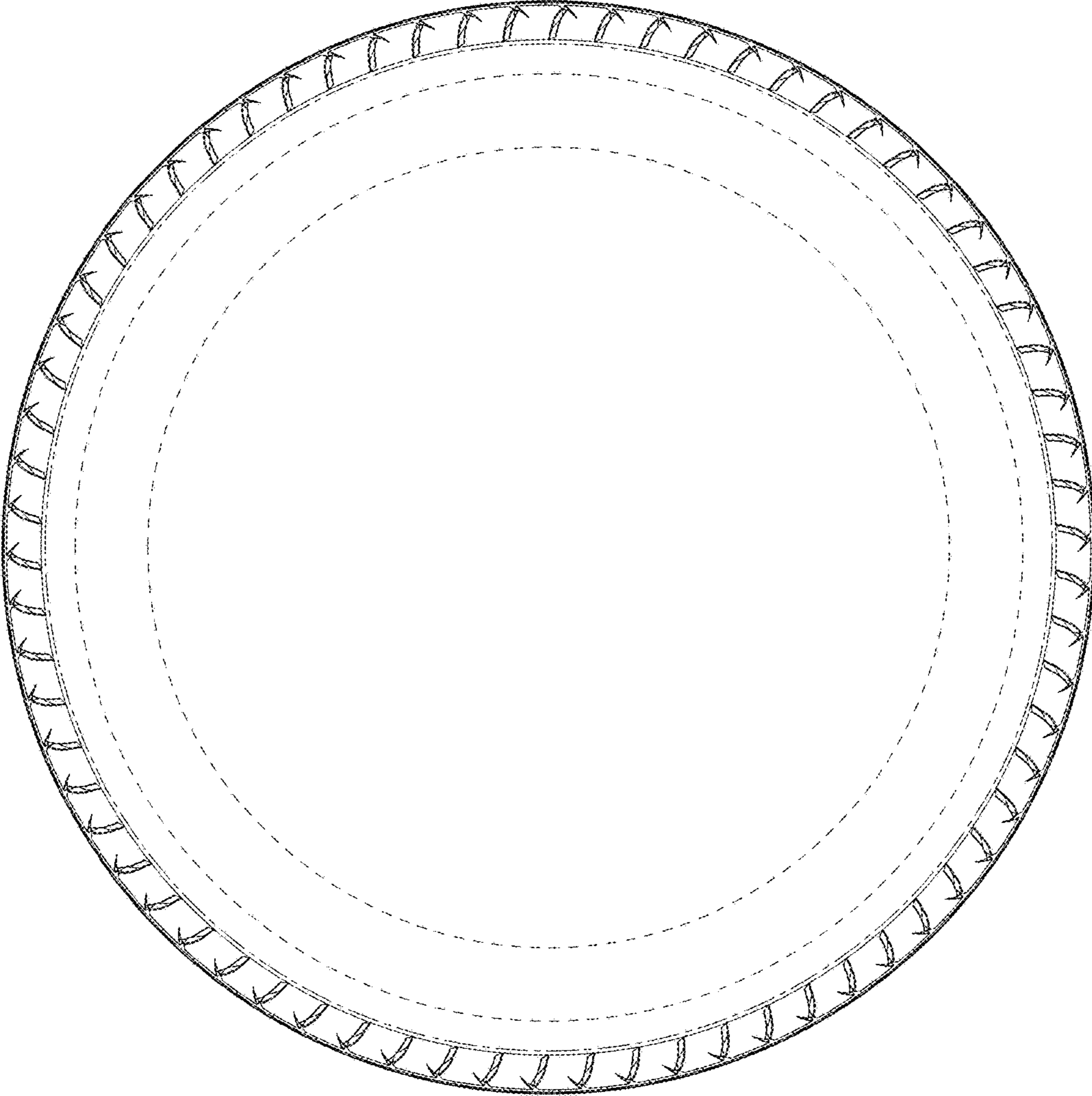


FIG. 4

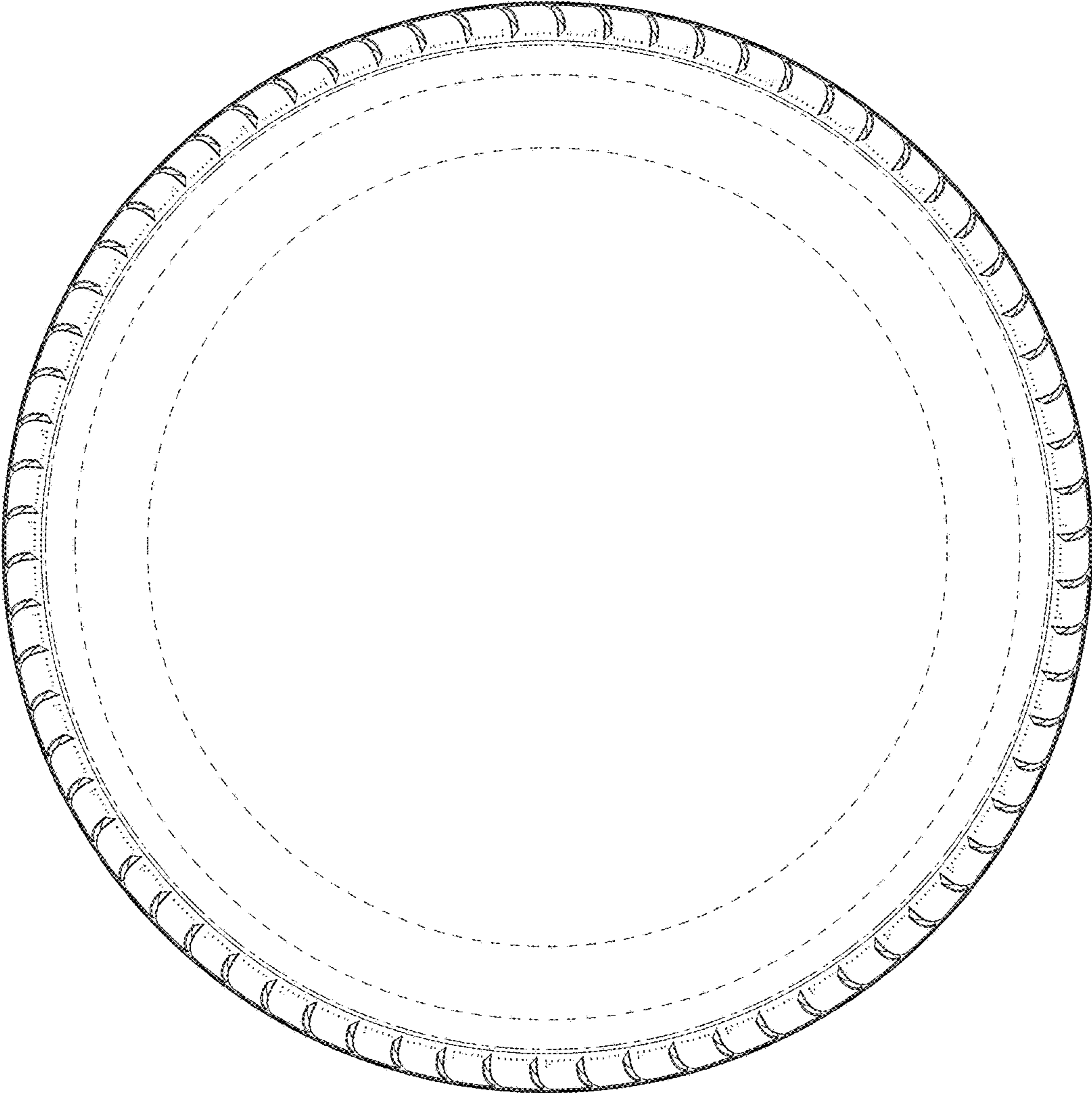


FIG. 5

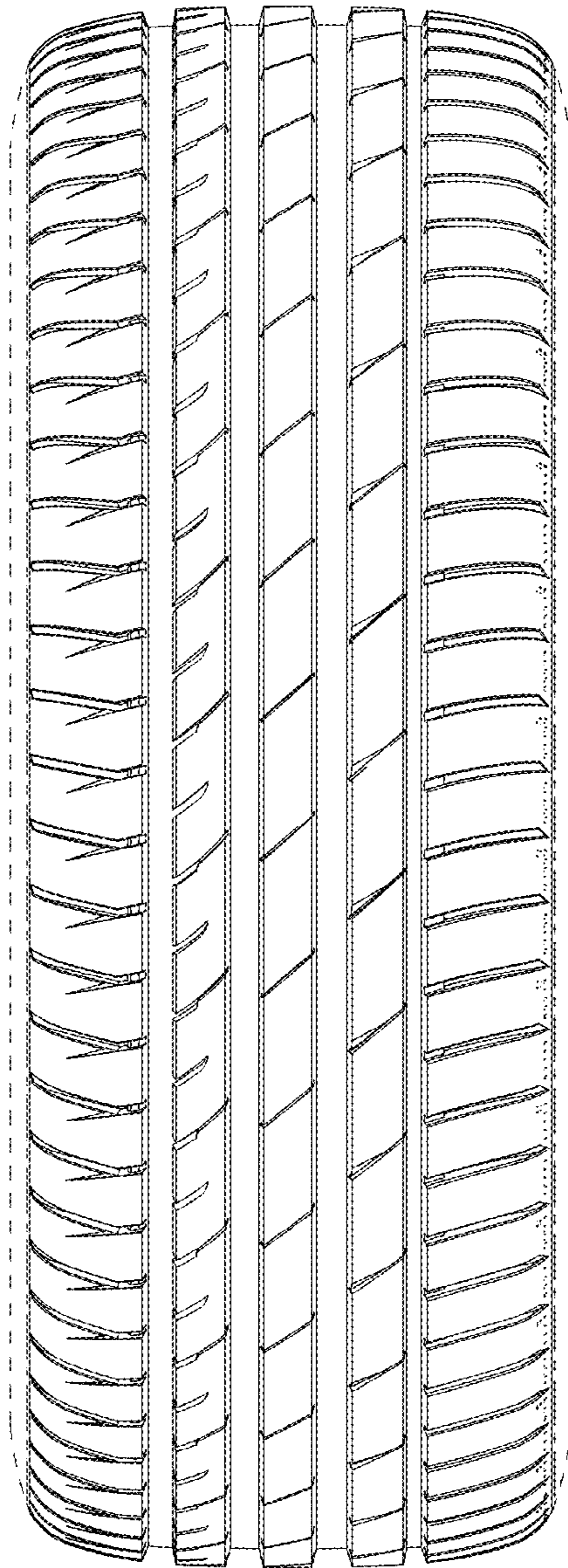


FIG. 6

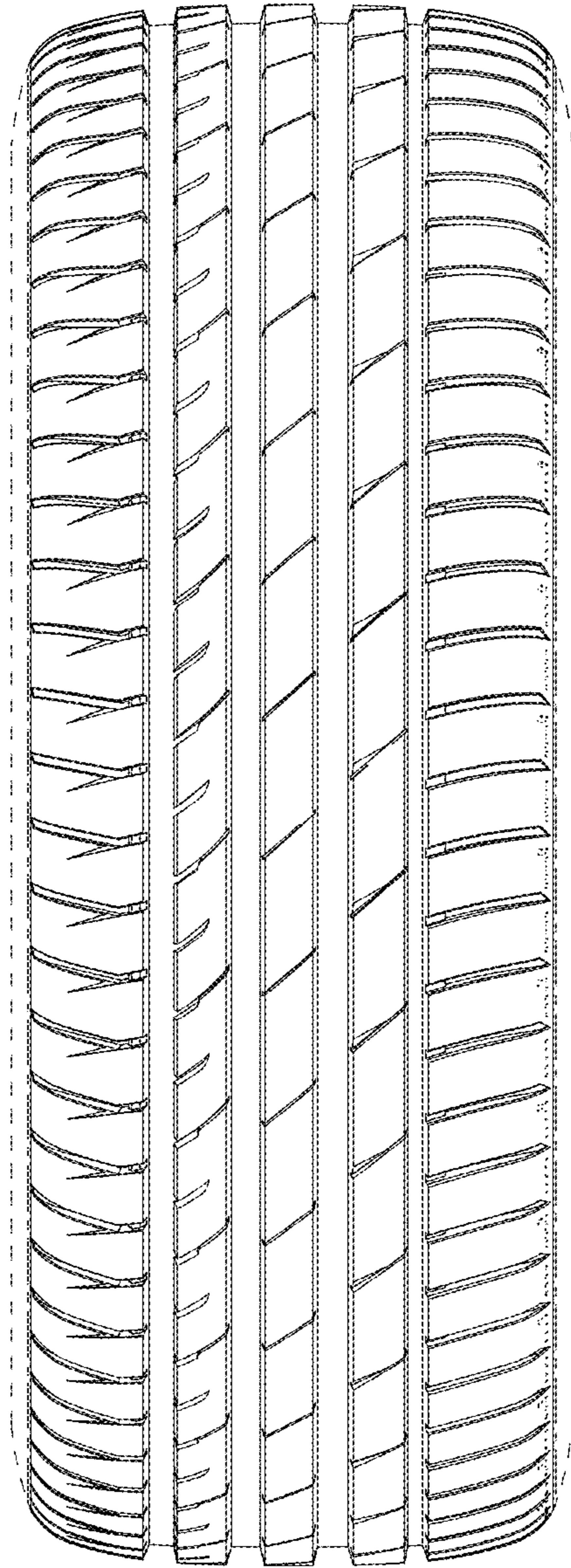


FIG. 7



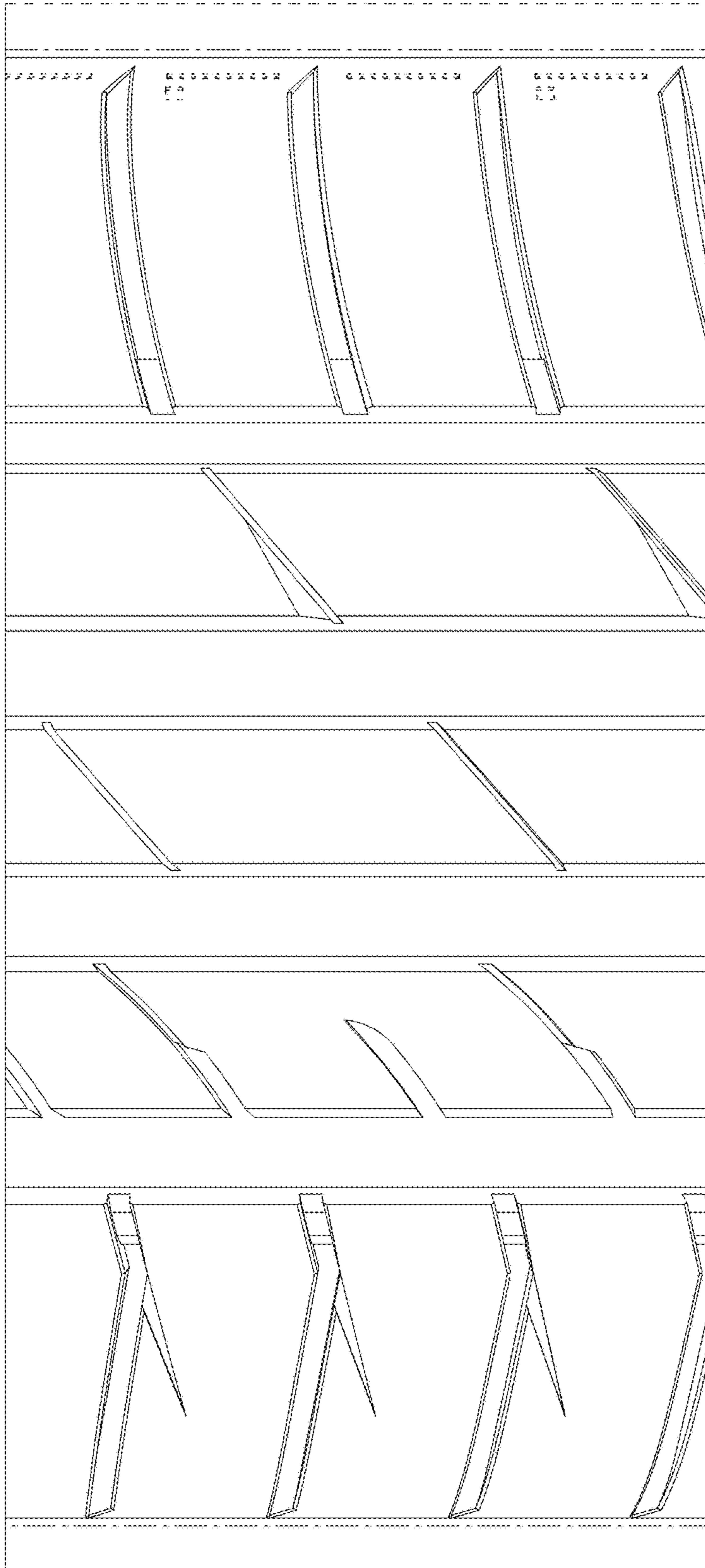


FIG. 8