



US00D811988S

(12) **United States Design Patent**  
**Lee et al.**

(10) **Patent No.:** **US D811,988 S**  
(45) **Date of Patent:** **\*\* Mar. 6, 2018**

(54) **AUTOMOBILE CONSOLE HOLDER**

D766,812 S \* 9/2016 Kabata ..... D12/423  
D770,361 S \* 11/2016 Chan ..... D12/419  
D770,968 S \* 11/2016 Willis ..... D12/415

(71) Applicant: **Bentley Motors Limited**, Cheshire (GB)

\* cited by examiner

(72) Inventors: **Sang Yup Lee**, Chester (GB); **Luc Donckerwolke**, Cheshire (GB)

*Primary Examiner* — Katrina A Betton  
(74) *Attorney, Agent, or Firm* — John A. Yirga, Esq.; Tarolli, Sundheim, Covell & Tummino LLP

(73) Assignee: **Bentley Motors Limited**, Crewe Cheshire (GB)

(57) **CLAIM**

(\*\*) Term: **15 Years**

The ornamental design for an automobile console holder, as shown and described.

(21) Appl. No.: **29/556,532**

**DESCRIPTION**

(22) Filed: **Mar. 1, 2016**

(51) **LOC (11) Cl.** ..... **12-16**

(52) **U.S. Cl.**  
USPC ..... **D12/419**

(58) **Field of Classification Search**  
USPC ..... D12/415-420, 400, 195, 191, 106, 345, D12/96, 99  
CPC ..... B60R 7/04  
See application file for complete search history.

FIG. 1 is a perspective view of an automobile console holder showing our new design;  
FIG. 2 is a front elevation view thereof;  
FIG. 3 is a left side elevation view thereof;  
FIG. 4 is an exploded perspective view thereof;  
FIG. 5 is a perspective view in a second usage environment with the armrest open;  
FIG. 6 is a front elevation view thereof;  
FIG. 7 is a left side elevation view thereof;  
FIG. 8 is an exploded perspective view thereof;  
FIG. 9 is an exploded section perspective view of FIG. 4 along section lines 9-9; and,  
FIG. 10 is an exploded section perspective view of FIG. 4 along section lines 10-10.

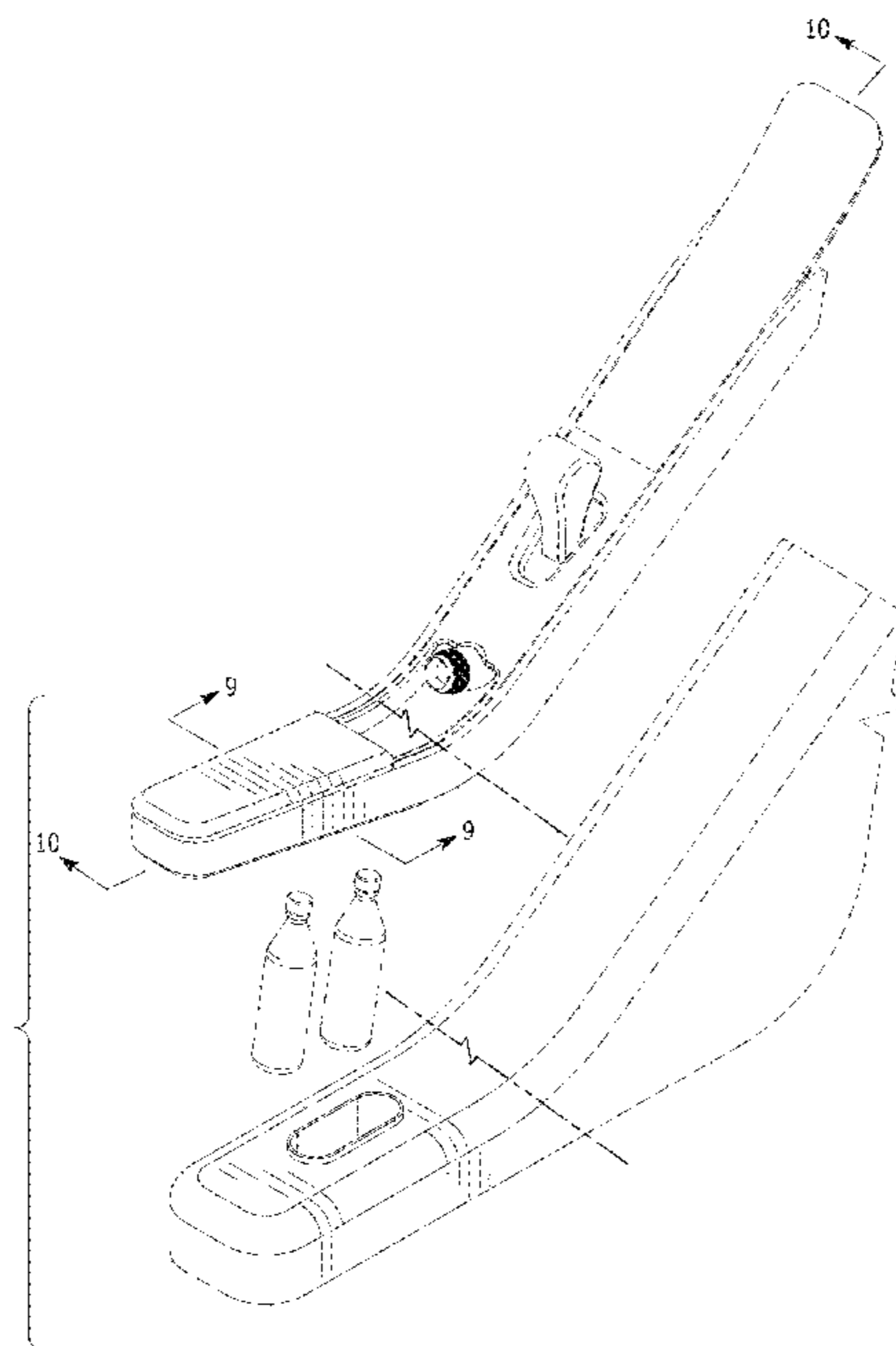
(56) **References Cited**

**U.S. PATENT DOCUMENTS**

D359,266 S \* 6/1995 Karp ..... D12/419  
D448,720 S \* 10/2001 Nash ..... D12/192  
6,616,206 B2 \* 9/2003 Luginbill ..... B60N 2/4646  
224/539  
D522,957 S \* 6/2006 Miyashita ..... D12/415  
D568,232 S \* 5/2008 Motozaki ..... D12/421  
D724,521 S \* 3/2015 Ashley ..... D12/419  
D725,583 S \* 3/2015 Seki ..... D12/419  
9,199,579 B2 \* 12/2015 Gillis ..... B60R 7/04  
D766,811 S \* 9/2016 Shouno ..... D12/419

Those portions of the Figures shown in broken lines or dashed lines are included for environmental purposes only and form no part of the claimed design. The lines shown as dashed-dot-dot indicate boundaries of the claimed design, and form no part thereof.  
In the drawings, the broken lines depict portions of the article that form no part of the claimed design.

**1 Claim, 10 Drawing Sheets**



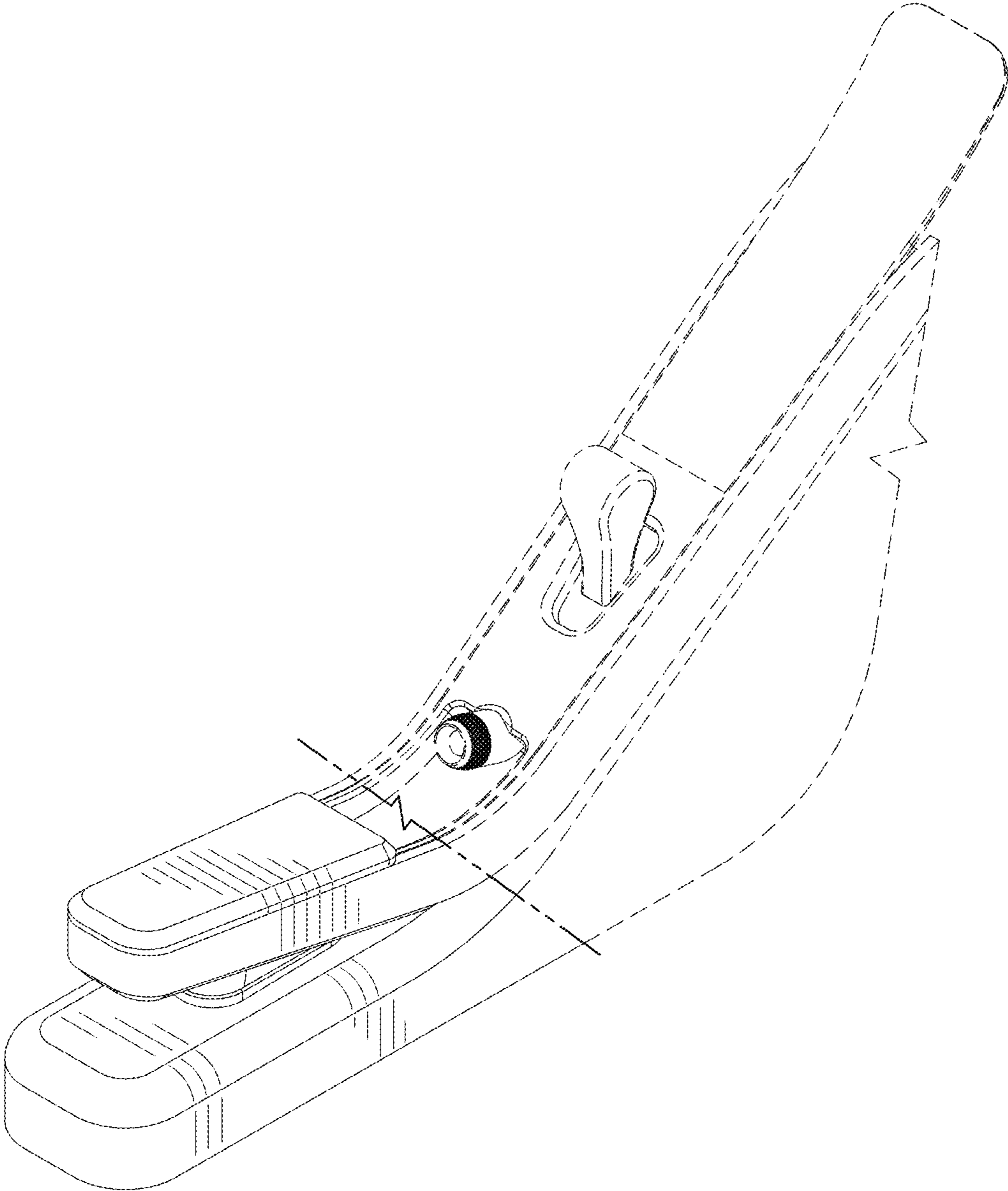


FIG. 1

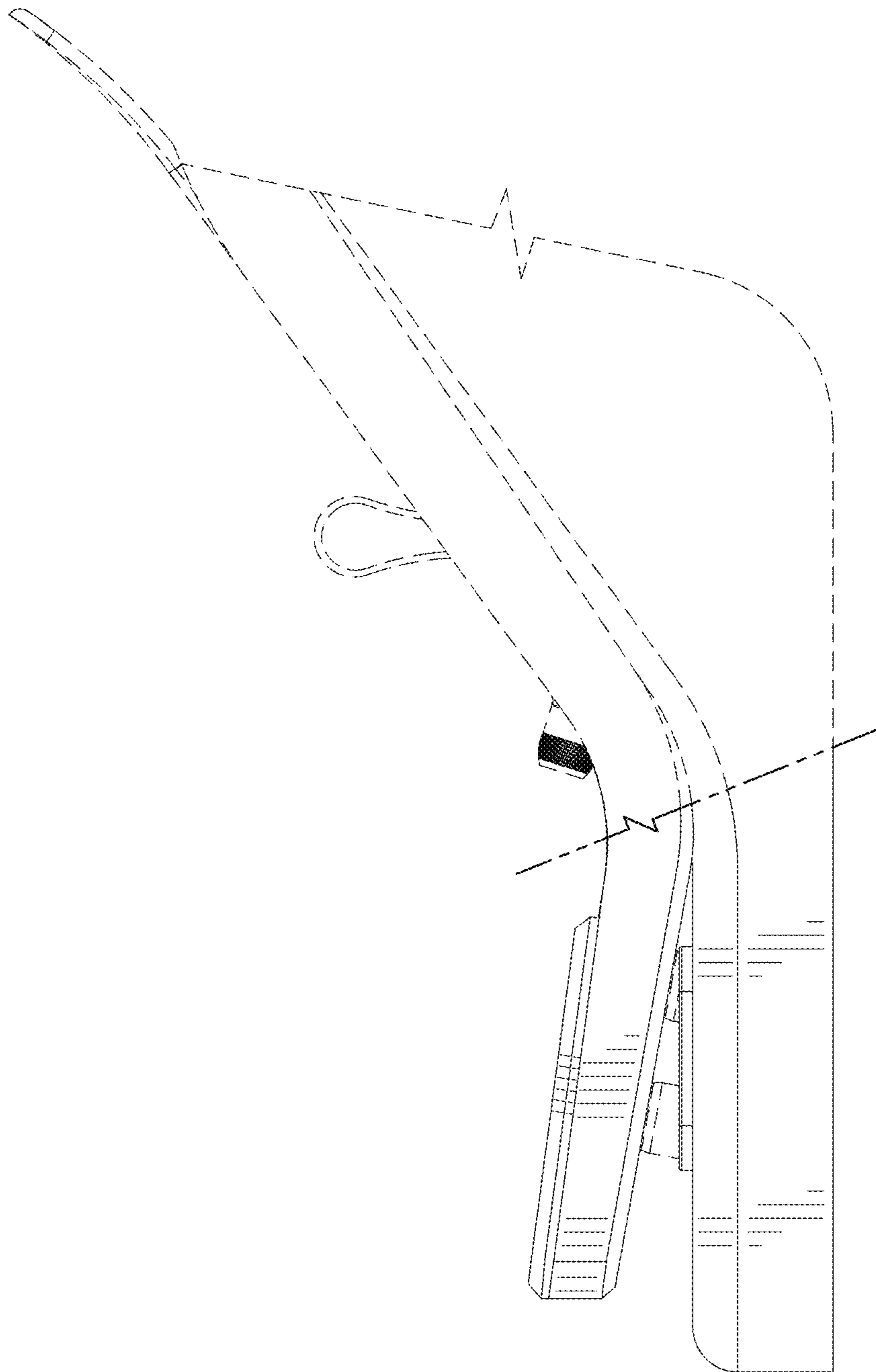


FIG. 2

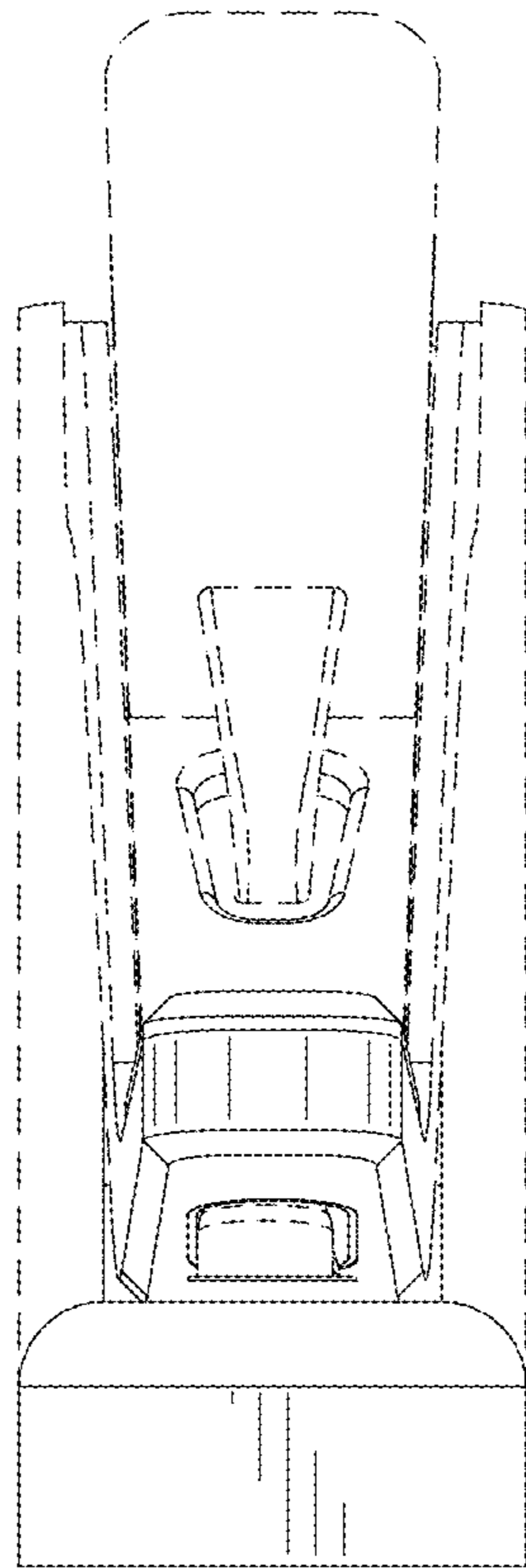


FIG. 3

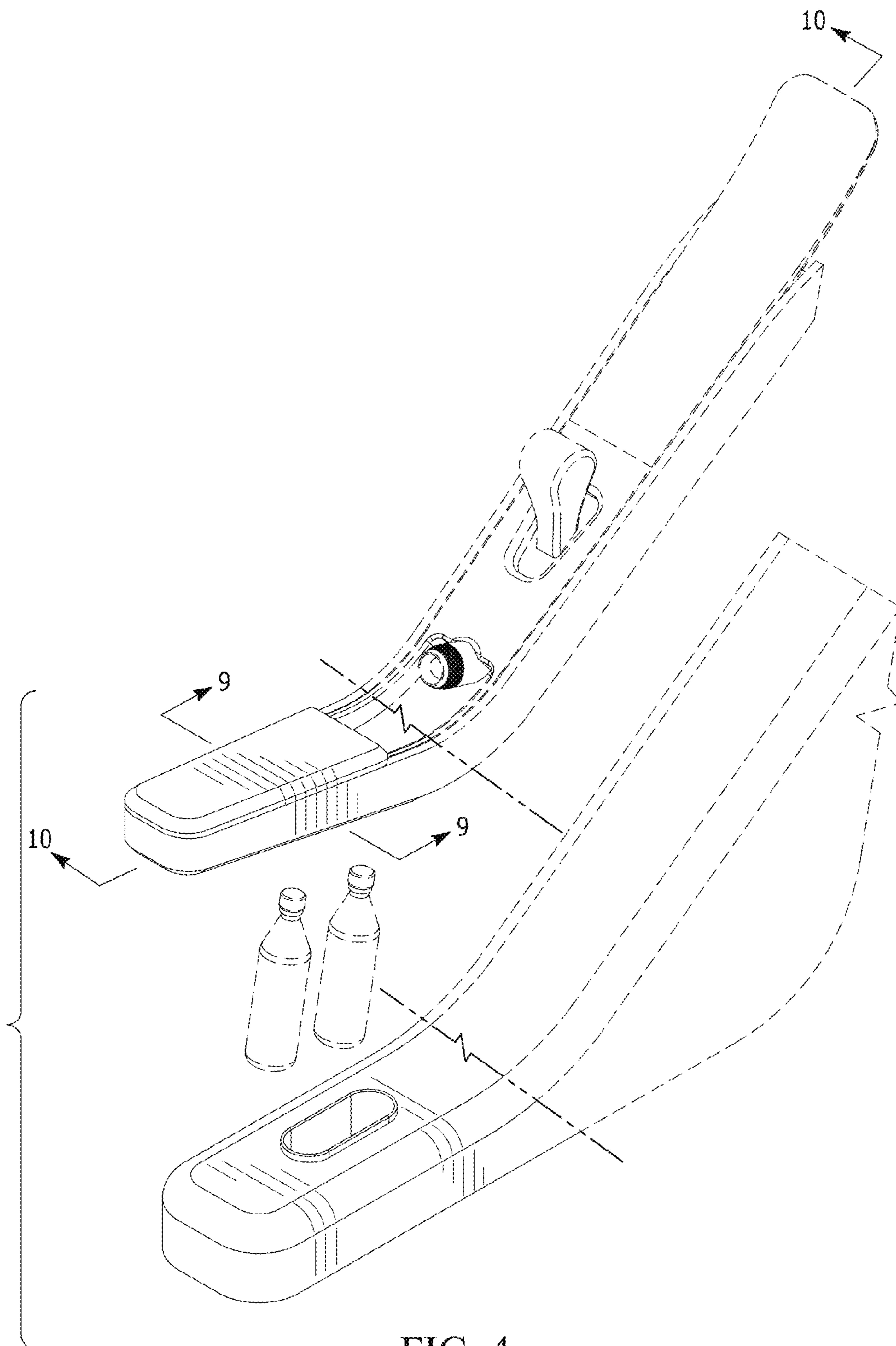


FIG. 4

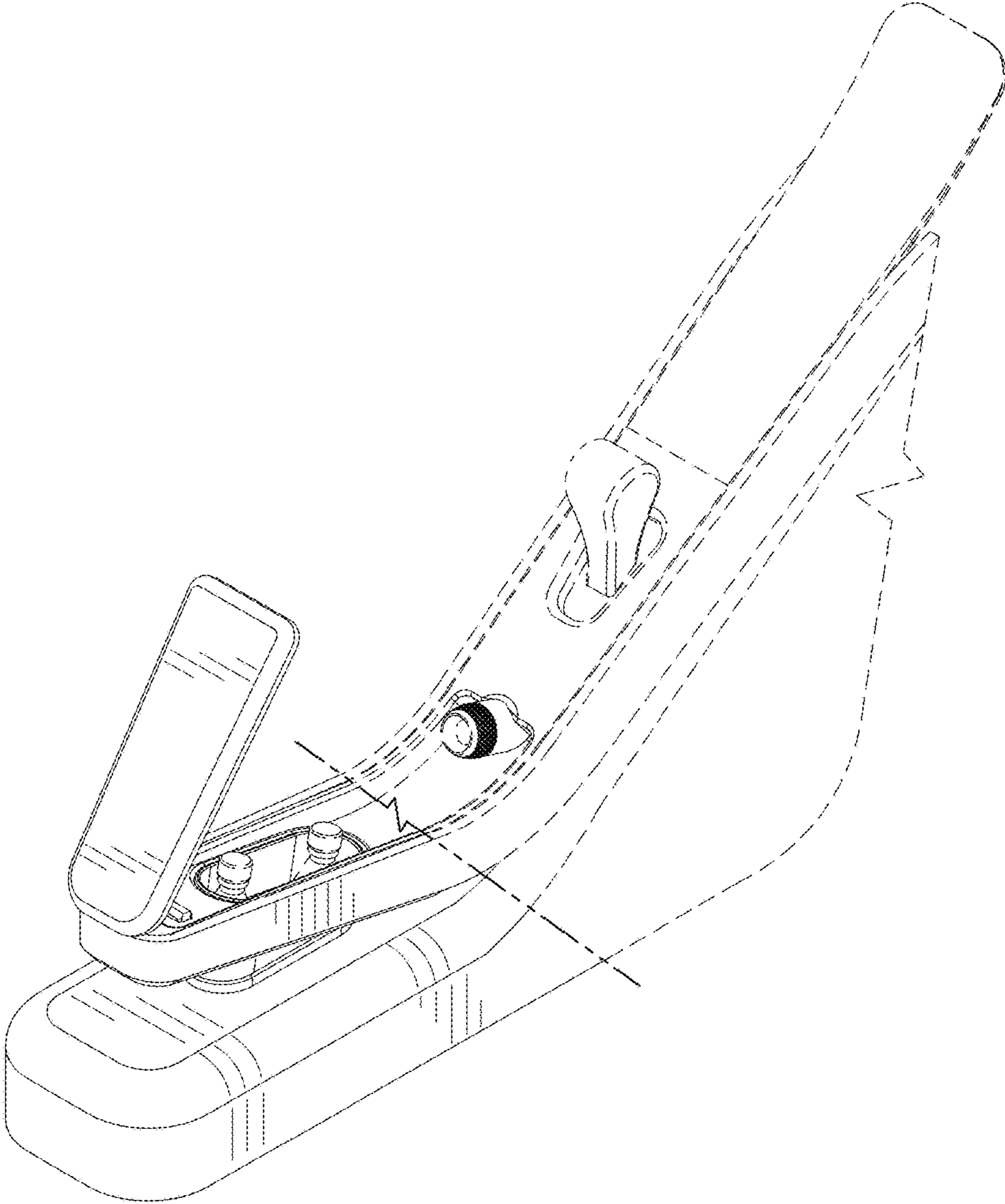


FIG. 5

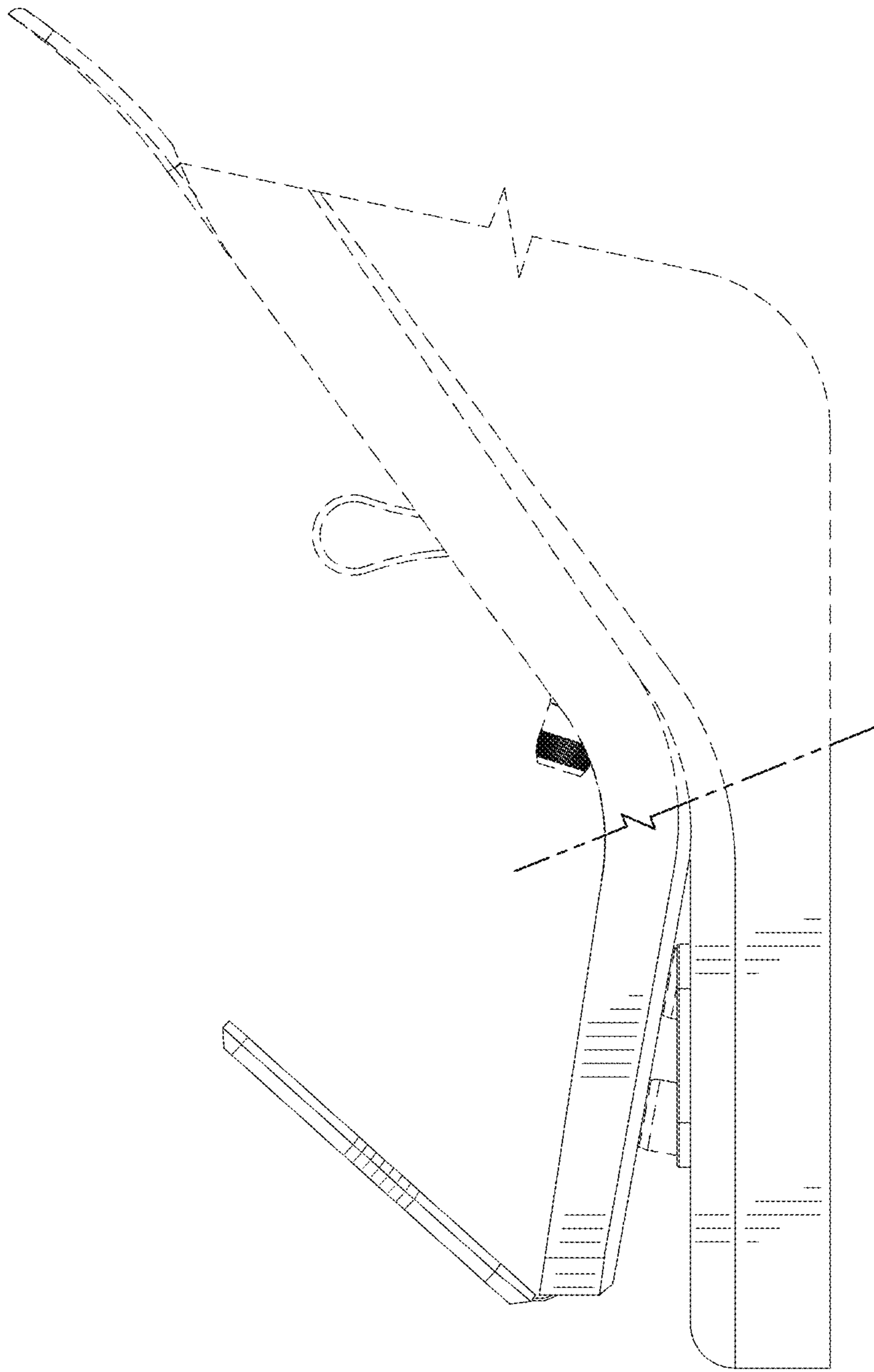


FIG. 6

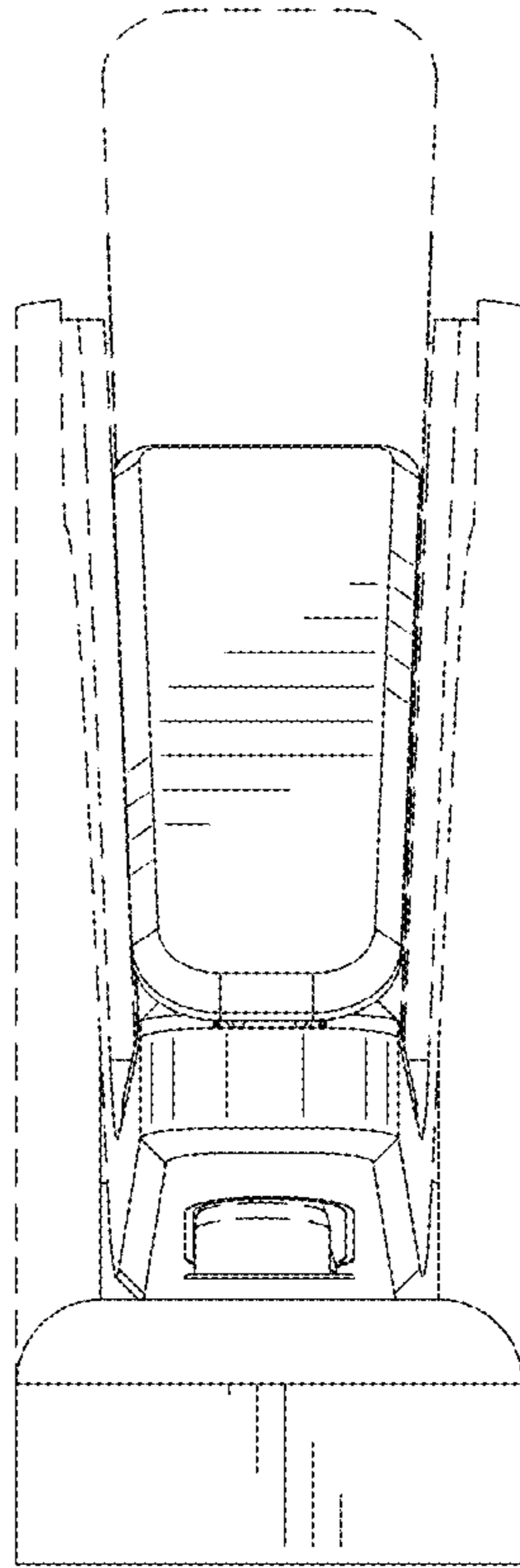


FIG. 7



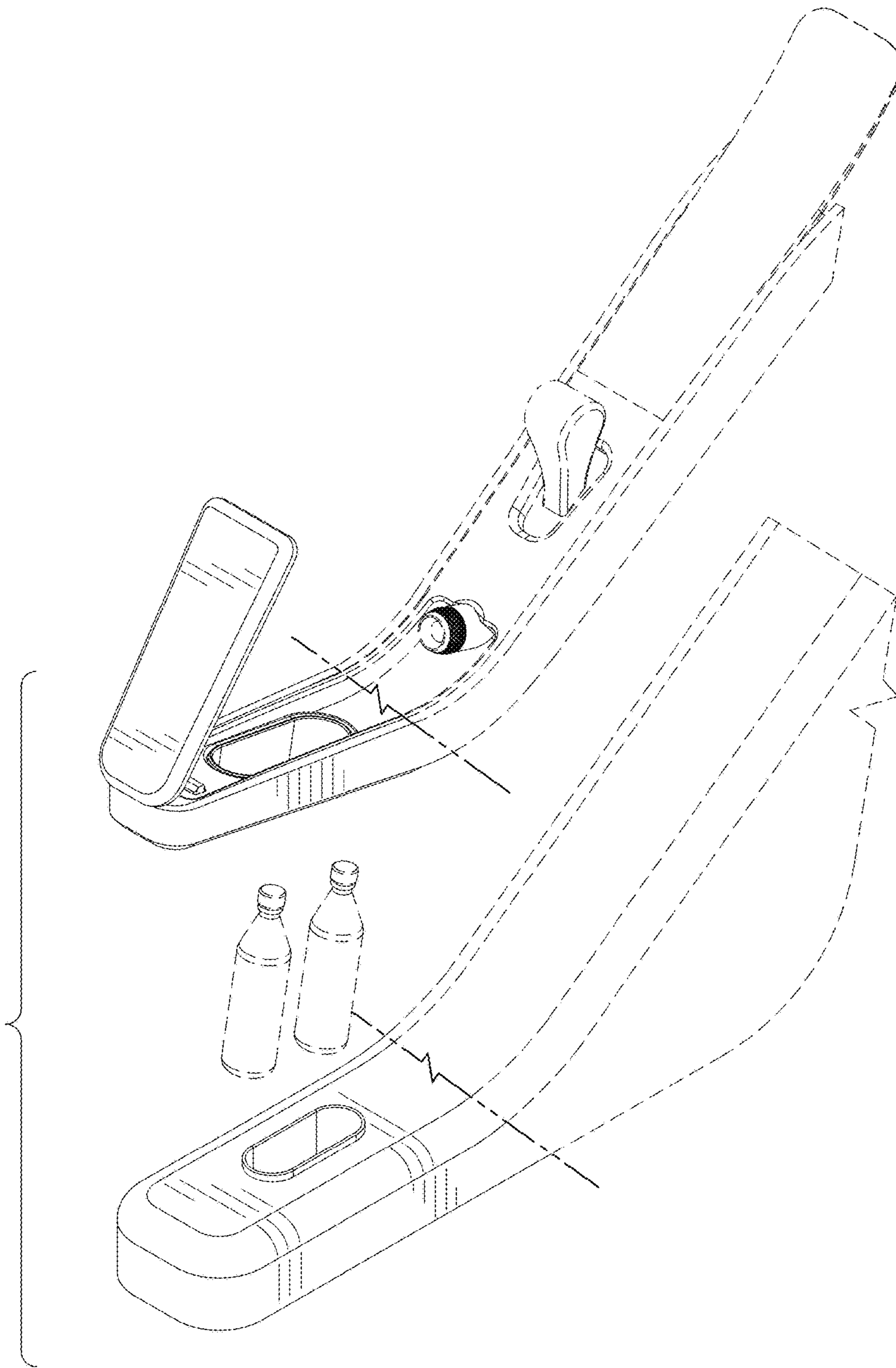


FIG. 8

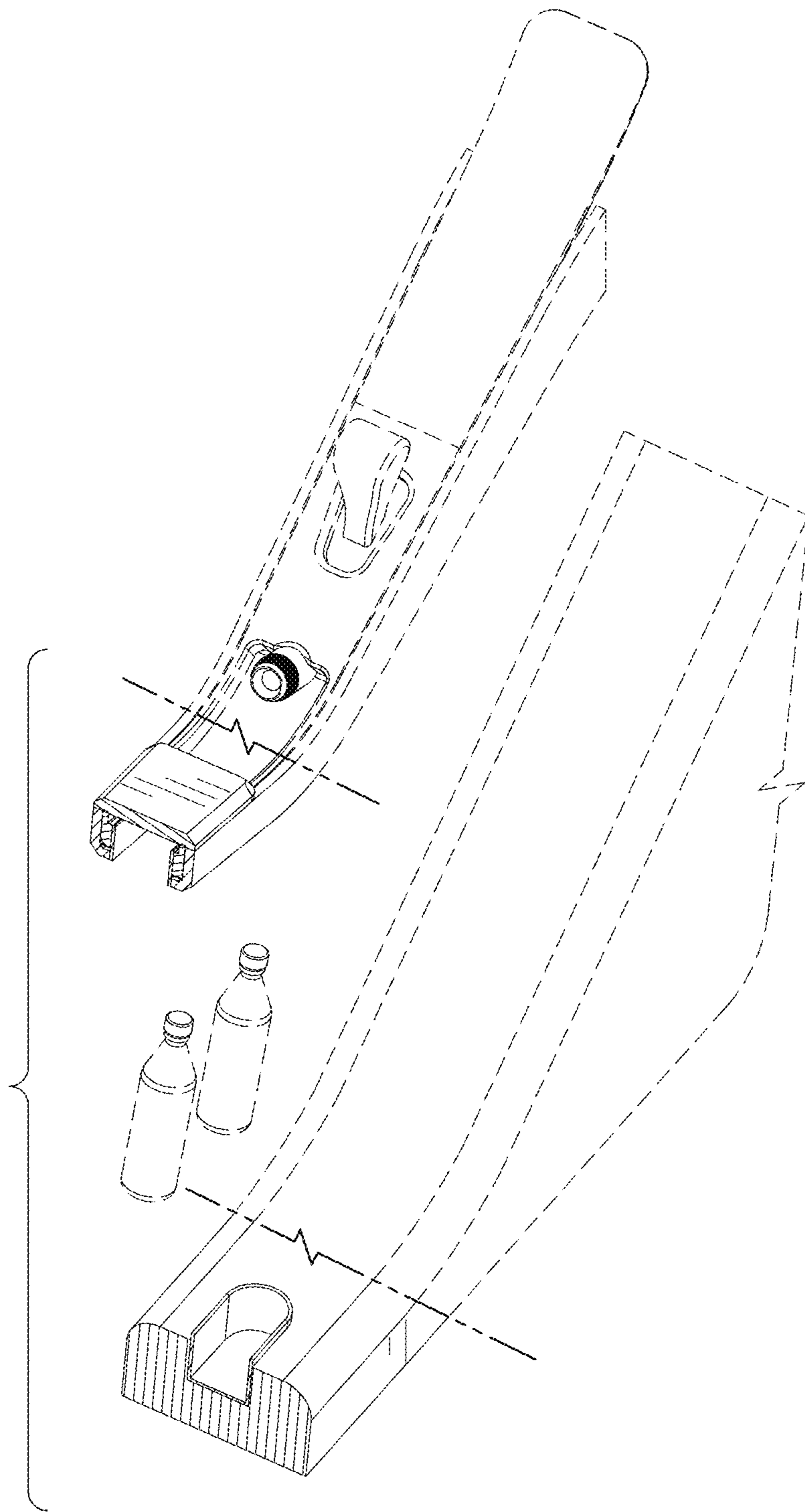


FIG. 9

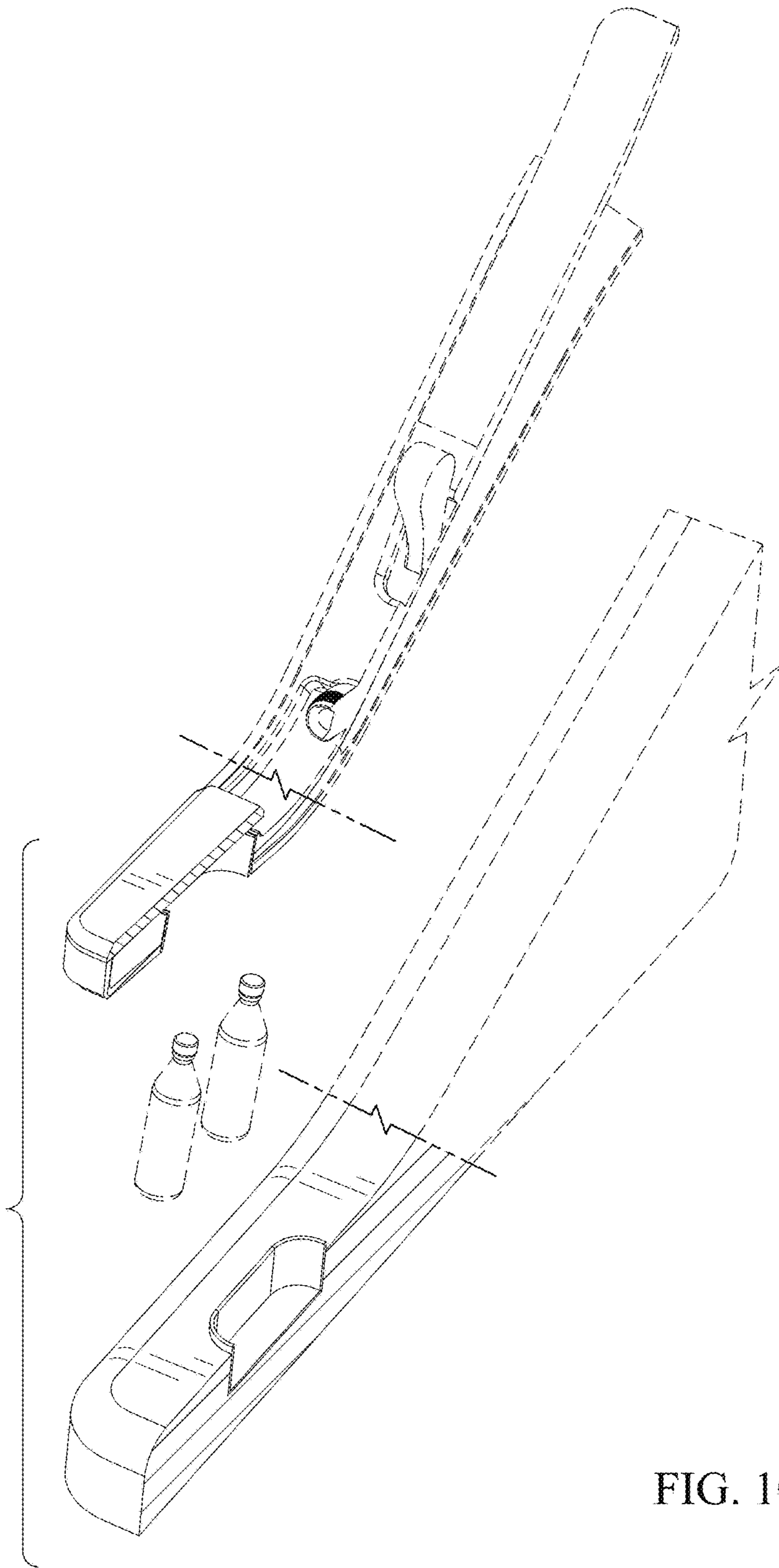


FIG. 10