



US00D811987S

(12) **United States Design Patent**
Mueller

(10) **Patent No.:** **US D811,987 S**

(45) **Date of Patent:** **** Mar. 6, 2018**

(54) **TOOL BOX**

(71) Applicant: **Jerry Mueller**, Richfield, WI (US)

(72) Inventor: **Jerry Mueller**, Richfield, WI (US)

(**) Term: **15 Years**

(21) Appl. No.: **29/596,410**

(22) Filed: **Mar. 8, 2017**

(51) **LOC (11) Cl.** **12-16**

(52) **U.S. Cl.**
USPC **D12/414.1**

(58) **Field of Classification Search**
USPC ... D12/414.1, 414, 413, 412, 221, 406, 157,
D12/423, 414.4; D6/552, 317-319,
D6/513-514; D3/304-306; D32/35, 58
CPC B60R 7/02; B60R 9/04; B60R 9/055
See application file for complete search history.

(56) **References Cited**

U.S. PATENT DOCUMENTS

- D623,121 S * 9/2010 Lewis D12/414.1
- D626,062 S * 10/2010 Giddens D12/414.1
- D658,373 S * 5/2012 Gros D12/414.1
- D713,323 S * 9/2014 Gearner, III D12/414.1
- D720,281 S * 12/2014 Grant D12/414.1

- D720,680 S * 1/2015 Vitoorapakorn D12/414.1
- D755,707 S * 5/2016 Roach D12/414.1
- D766,810 S * 9/2016 Haun D12/414.1
- D770,359 S * 11/2016 Winn D12/414.1
- D771,544 S * 11/2016 Christofferson D12/414.1
- D772,141 S * 11/2016 Christofferson D12/414.1

* cited by examiner

Primary Examiner — Katrina A Betton

(74) *Attorney, Agent, or Firm* — Jansson Munger
McKinley & Kirby Ltd.

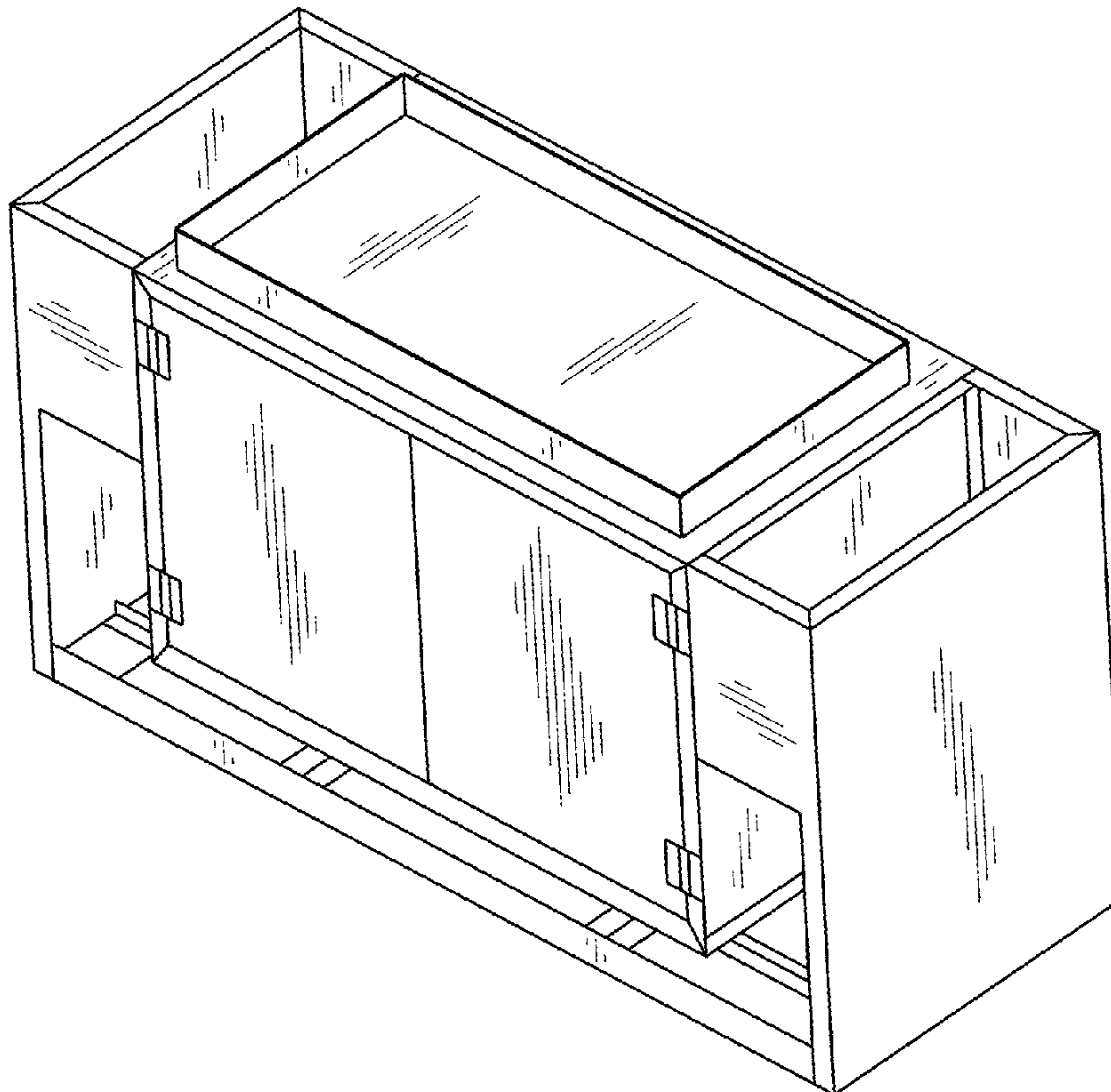
(57) **CLAIM**

The ornamental design for a tool box, as shown and described.

DESCRIPTION

FIG. 1 is a perspective view of a tool box being carried in the bucket of a loader;
 FIG. 2 is a front perspective view of the tool box of FIG. 1;
 FIG. 3 is a front view of the tool box of FIG. 1;
 FIG. 4 is a back view of the tool box of FIG. 1;
 FIG. 5 is a right side view of the tool box of FIG. 1;
 FIG. 6 is a left side view of the tool box of FIG. 1;
 FIG. 7 is a top view of the tool box of FIG. 1; and,
 FIG. 8 is a bottom view of the tool box of FIG. 1.
 The dashed lines are provided for illustrative purposes only and form no part of the claimed design.

1 Claim, 5 Drawing Sheets



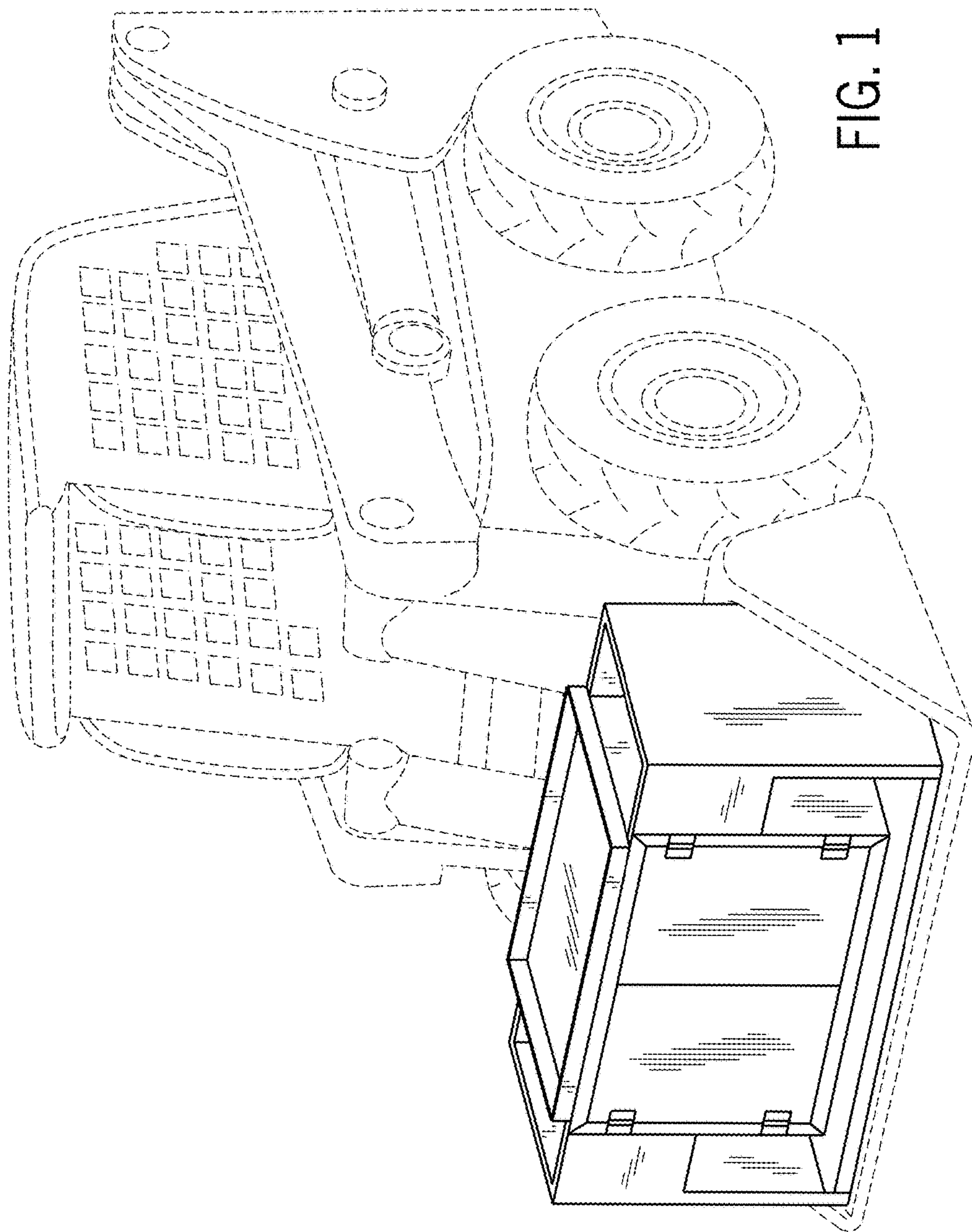


FIG. 1

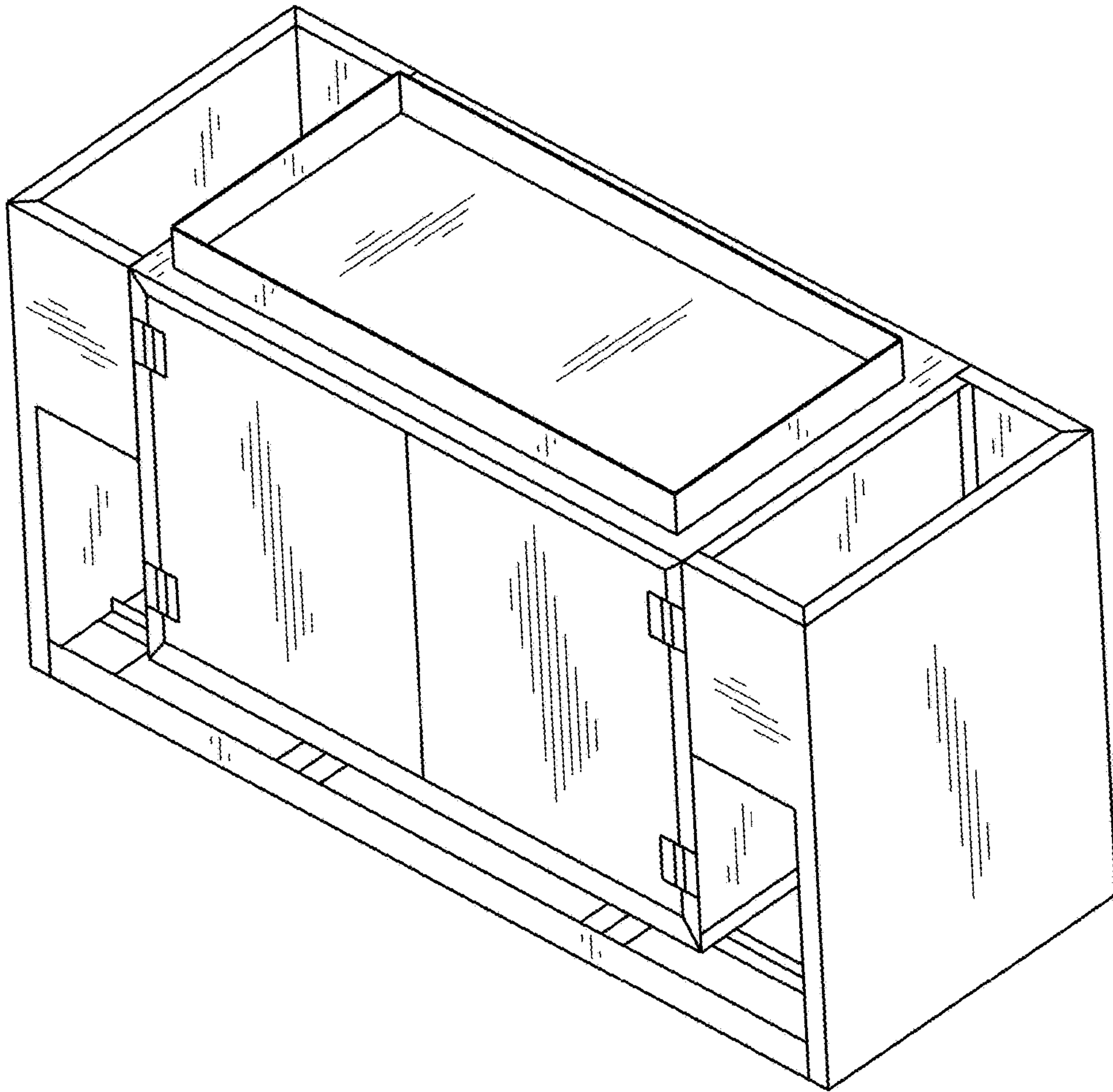


FIG. 2

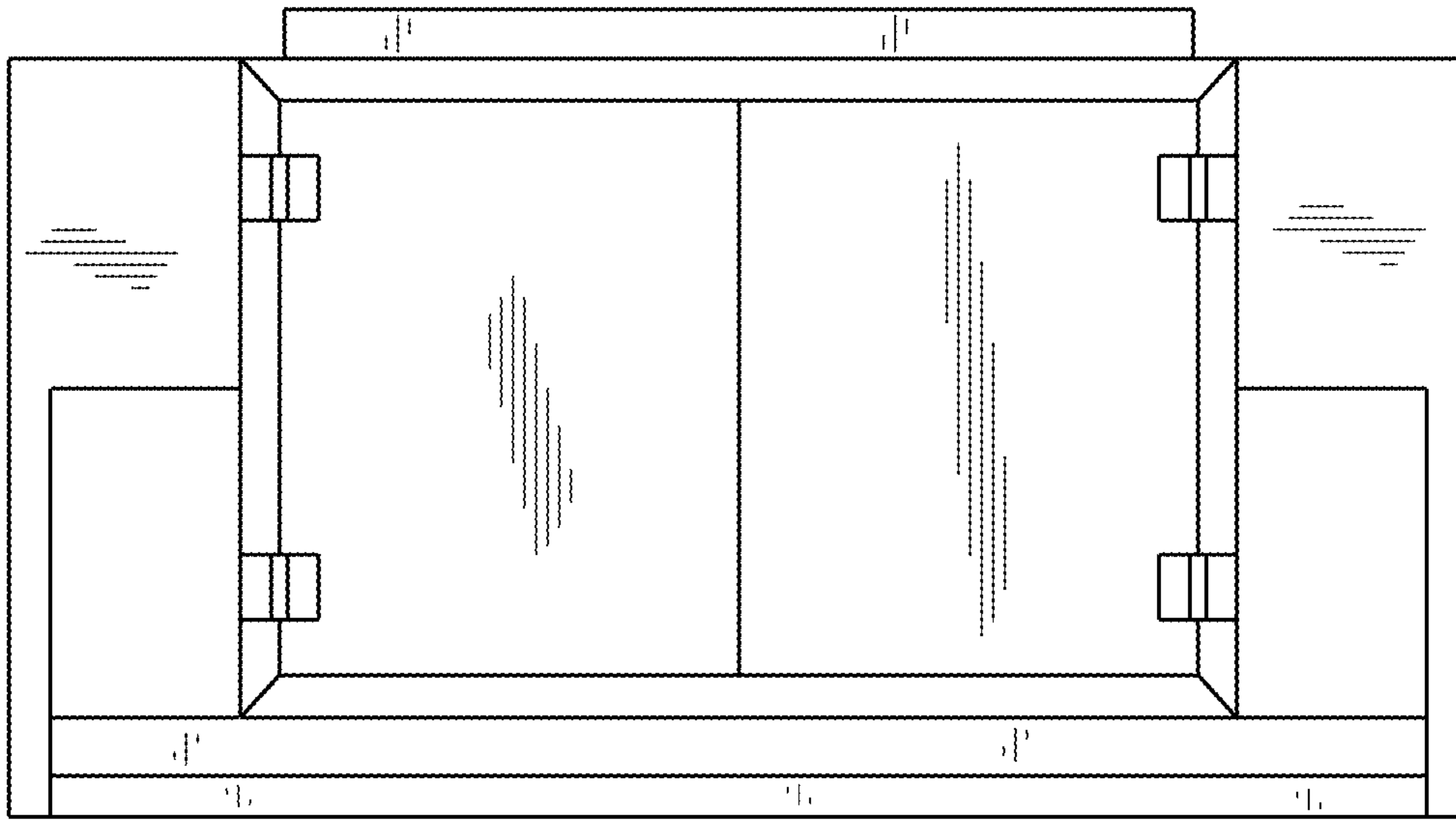


FIG. 3

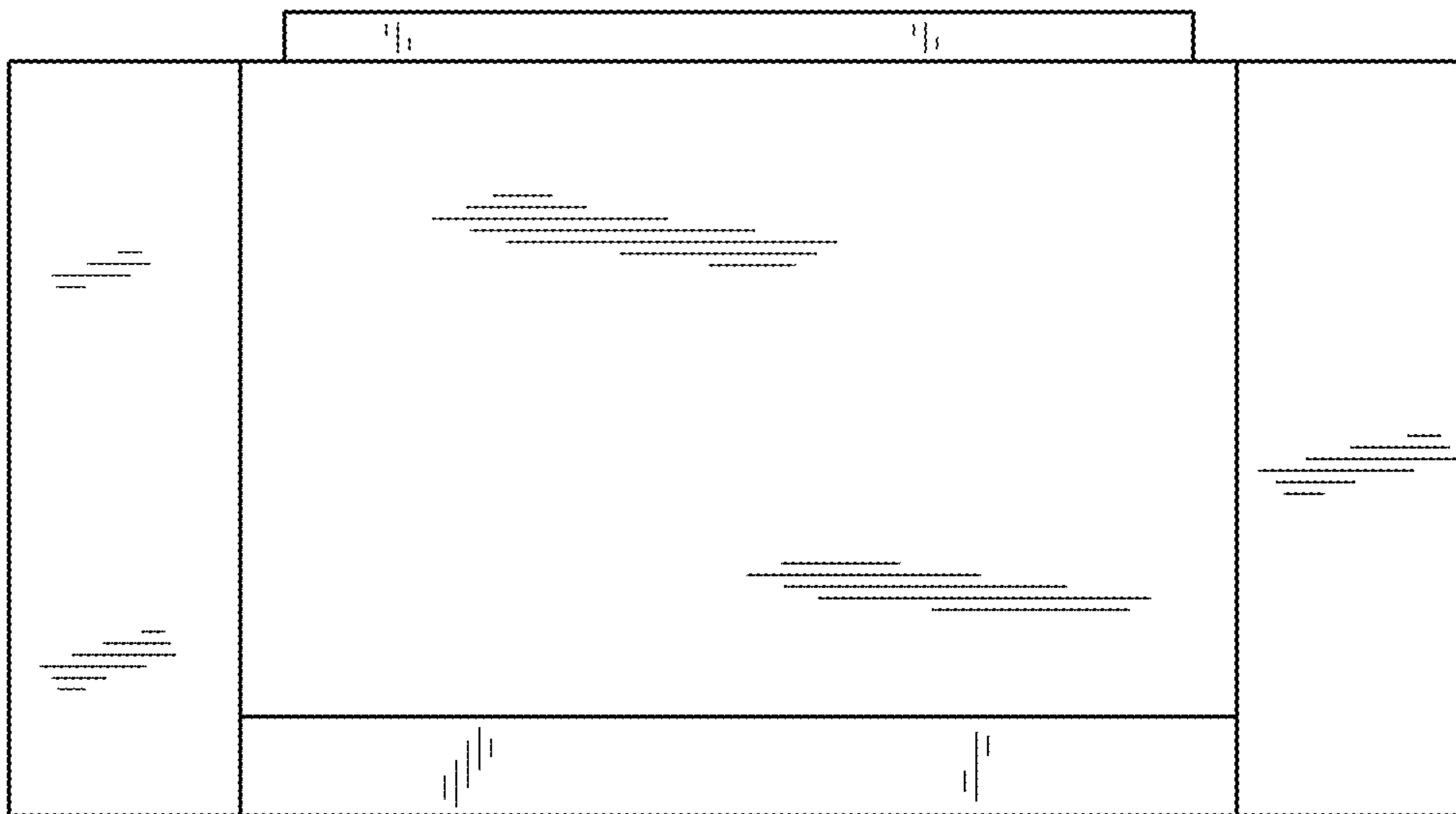


FIG. 4

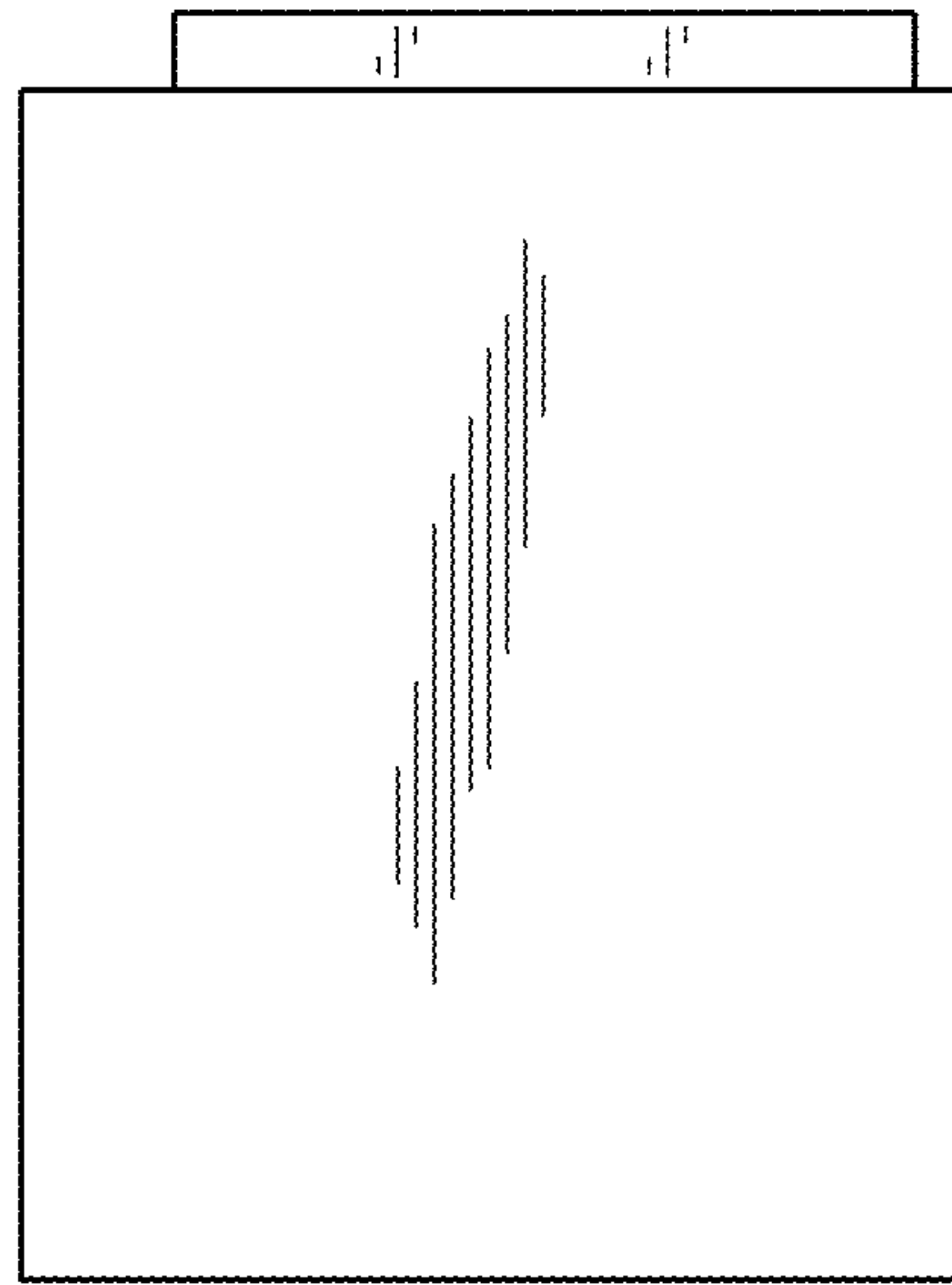


FIG. 5

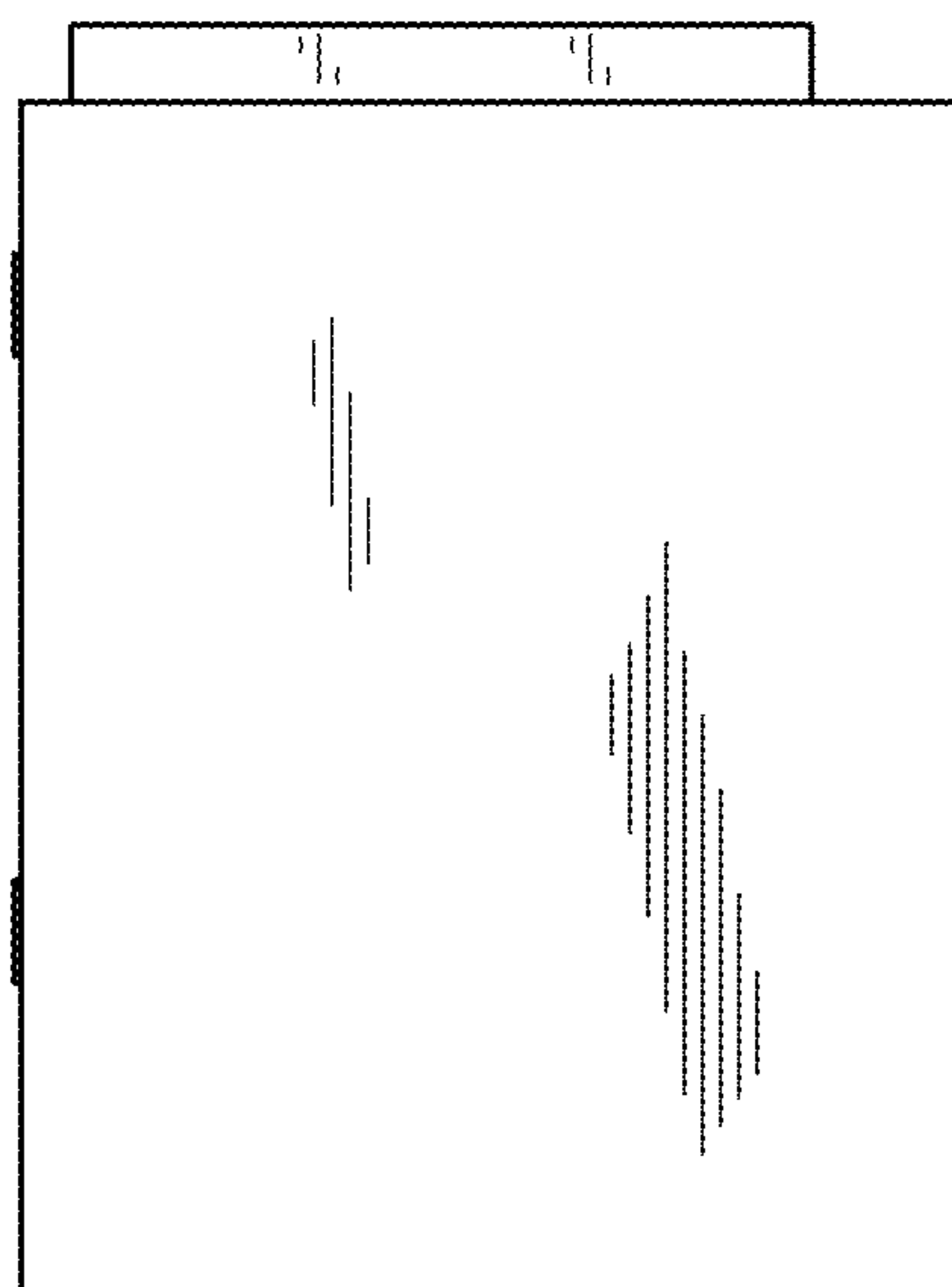


FIG. 6

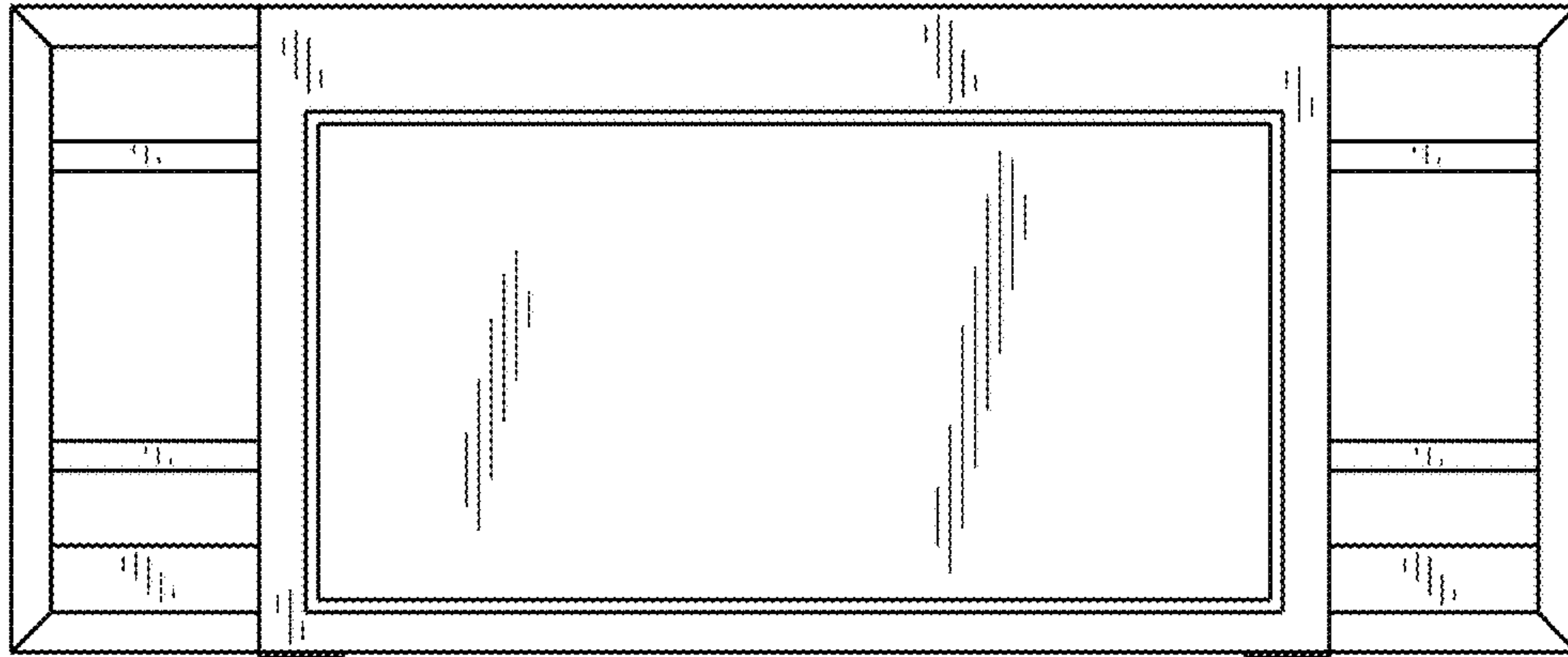


FIG. 7

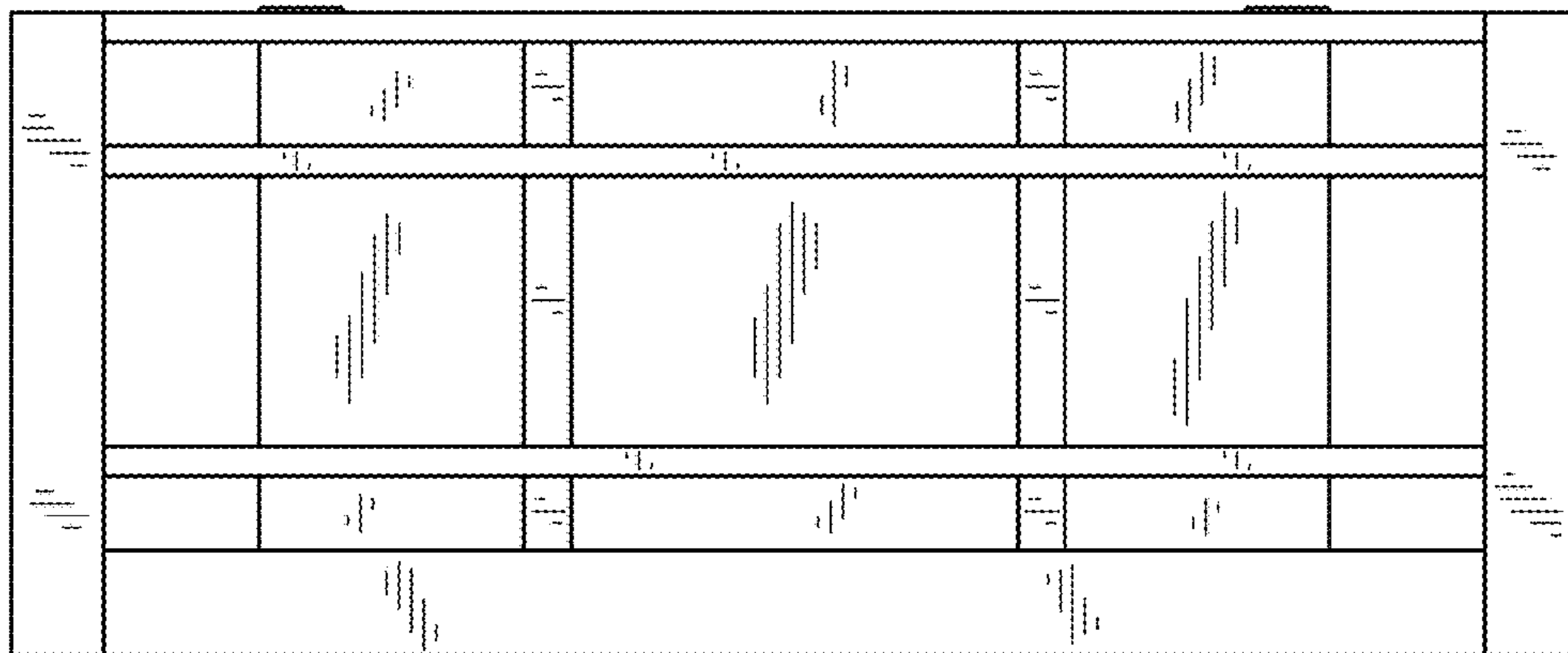


FIG. 8