



US00D811985S

(12) **United States Design Patent**
Clark et al.

(10) **Patent No.:** **US D811,985 S**
(45) **Date of Patent:** **** Mar. 6, 2018**

- (54) **CARRIER**
- (71) Applicant: **Thule Sweden AB**, Hillerstorp (SE)
- (72) Inventors: **Jason Clark**, Prescott, AZ (US); **David Castano Galindo**, Waterbury, CT (US)
- (73) Assignee: **Thule Sweden AB**, Hillerstorp (SE)
- (**) Term: **15 Years**
- (21) Appl. No.: **29/566,075**
- (22) Filed: **May 26, 2016**
- (51) **LOC (11) Cl.** **12-11**
- (52) **U.S. Cl.**
USPC **D12/407**
- (58) **Field of Classification Search**
USPC ... D12/115, 223, 414.1, 406, 407, 408, 420;
D8/349, 356; 224/301, 309, 314, 315,
224/318, 319, 322-326, 403, 492, 493,
224/495, 497, 499, 500-502, 504, 509,
224/510, 514, 516, 518, 520, 532, 533,
224/571, 572, 924; 248/200, 351, 346.01,
248/499, 510
CPC B60R 9/06; B60R 9/10; B60R 7/00; B62J
1/00; B62J 1/02; B62J 7/00; B62J 7/08;
B62J 11/00; B62H 1/00; B62H 1/02;
B62H 1/06; B62H 1/08; B62H 3/00;
B62H 3/04; B62H 3/08; A47F 7/00
See application file for complete search history.

- D706,209 S * 6/2014 Flaherty D12/407
- D707,617 S * 6/2014 Flaherty D12/407
- D717,717 S * 11/2014 Williams B60R 9/10
D12/408
- D727,831 S * 4/2015 Eriksson D12/407
- 9,333,922 B2 5/2016 Laverack et al.
- D790,434 S * 6/2017 Adler D12/408
- 2007/0108245 A1 * 5/2007 Ferman B60R 9/06
224/504
- 2009/0120984 A1 * 5/2009 Sautter B60R 9/10
224/497
- 2010/0230455 A1 * 9/2010 Wang B60R 9/06
224/533

(Continued)

FOREIGN PATENT DOCUMENTS

- DE 102013006782 A1 * 6/2014 B60R 9/06
- EP 2441623 A1 * 4/2012
- EP 2664497 A1 * 11/2013

Primary Examiner — Wan Laymon
Assistant Examiner — Clint A Samuel
(74) *Attorney, Agent, or Firm* — Sterne, Kessler,
Goldstein & Fox P.L.L.C.

(57) **CLAIM**

The ornamental design for a carrier, as shown and described.

DESCRIPTION

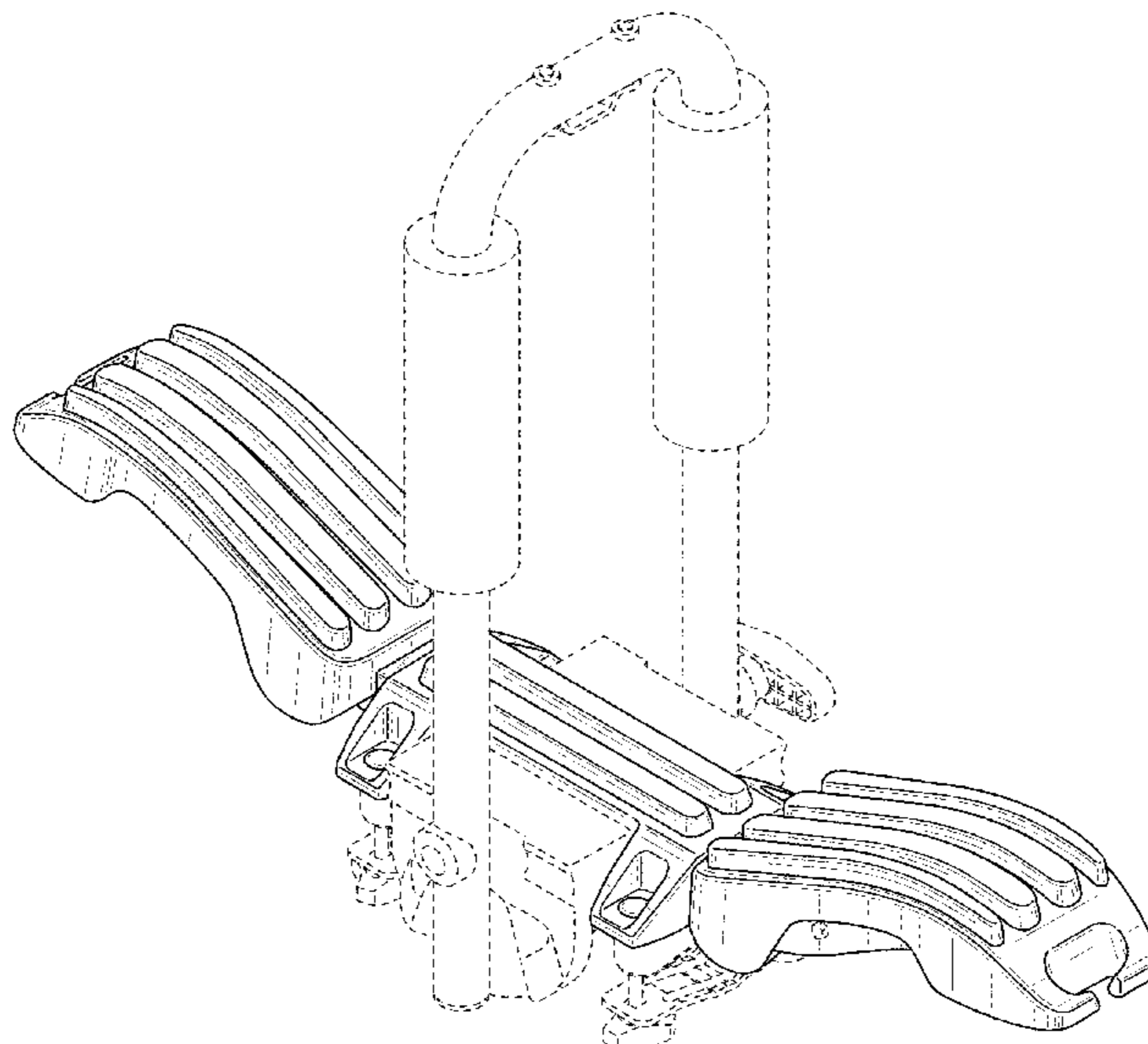
FIG. 1 is a top perspective view of a carrier showing the claimed design;
FIG. 2 is a bottom perspective view thereof;
FIG. 3 is a front view thereof;
FIG. 4 is a rear view thereof;
FIG. 5 is a right side view thereof;
FIG. 6 is a left side view thereof;
FIG. 7 is a top view thereof; and,
FIG. 8 is a bottom view thereof.
The broken lines in the figures show portions of the carrier that form no part of the claimed design.

1 Claim, 7 Drawing Sheets

(56) **References Cited**

U.S. PATENT DOCUMENTS

- D372,691 S * 8/1996 Eason D12/115
- 5,775,557 A 7/1998 Arvidsson
- D628,141 S * 11/2010 Weaver D12/408
- D630,572 S * 1/2011 Weaver D12/408
- D671,883 S * 12/2012 Farber D12/408
- D672,704 S * 12/2012 Grago D12/408



(56)

References Cited

U.S. PATENT DOCUMENTS

2010/0320247 A1* 12/2010 Wang B60R 9/10
224/567
2012/0234883 A1* 9/2012 Sautter B60R 9/10
224/502
2013/0062385 A1* 3/2013 Pedrini B60R 9/06
224/501
2013/0062487 A1* 3/2013 Liu B60R 9/10
248/222.14
2016/0185304 A1* 6/2016 Pedrini B60R 9/10
224/572

* cited by examiner

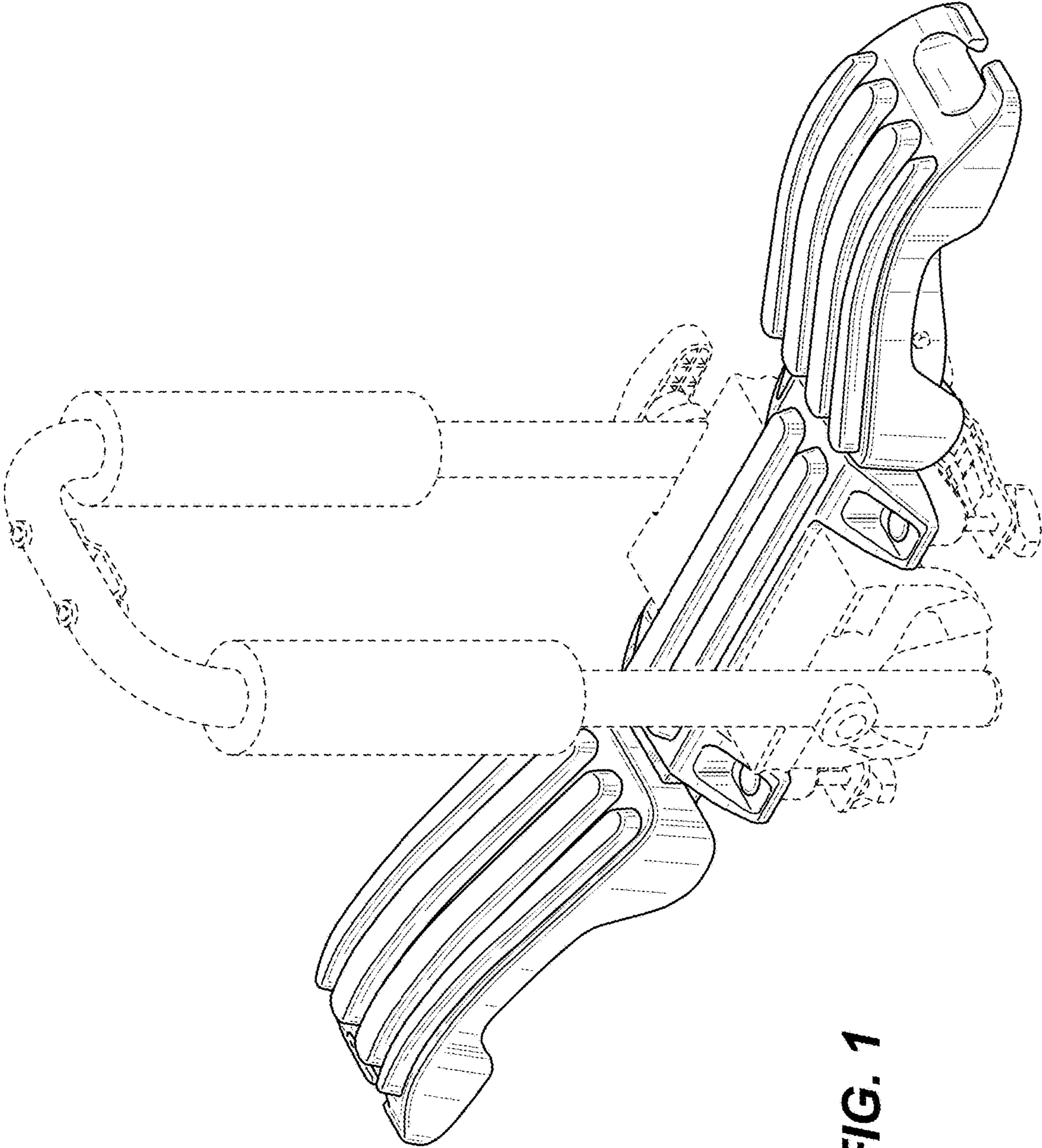


FIG. 1

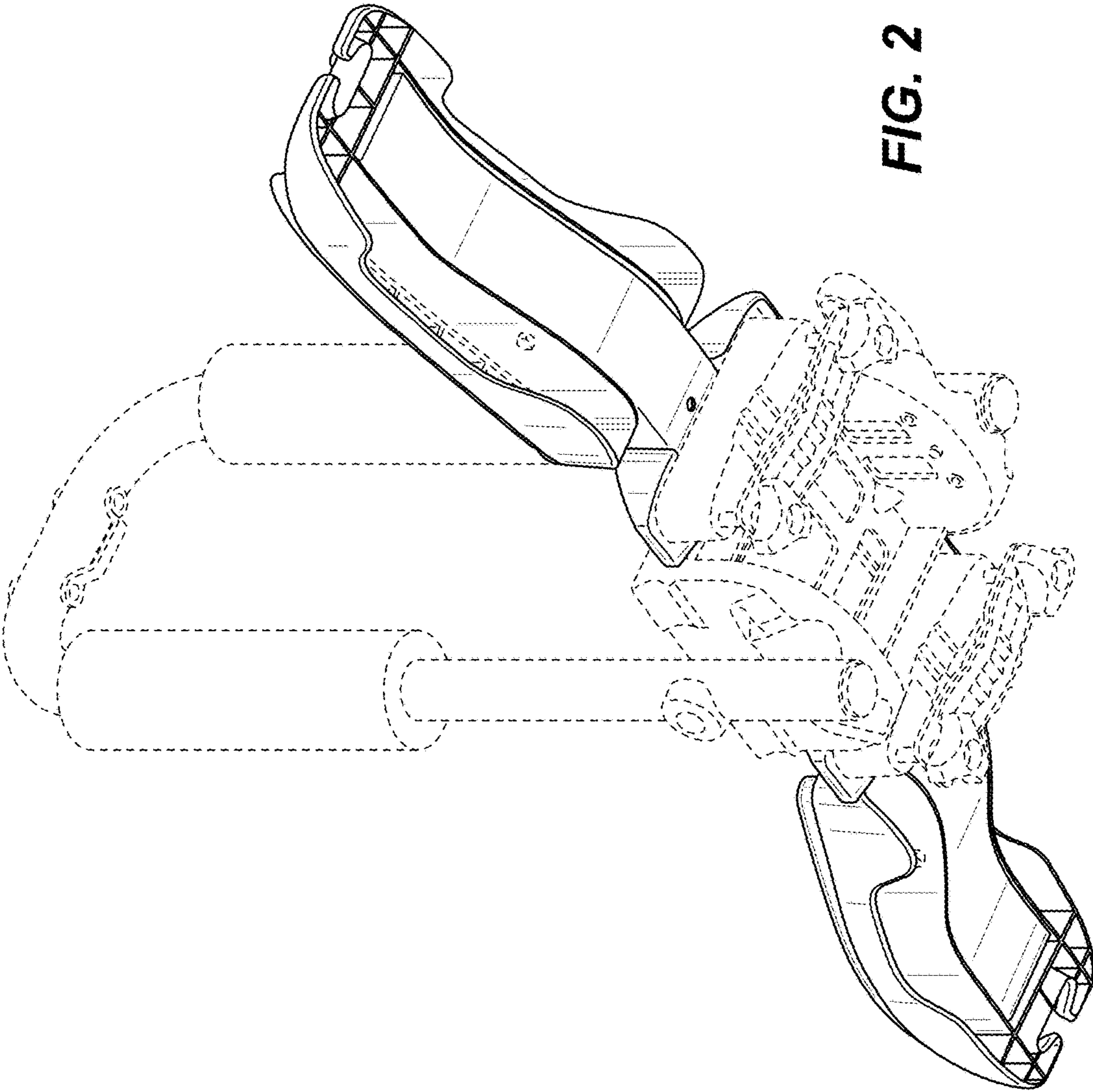


FIG. 2

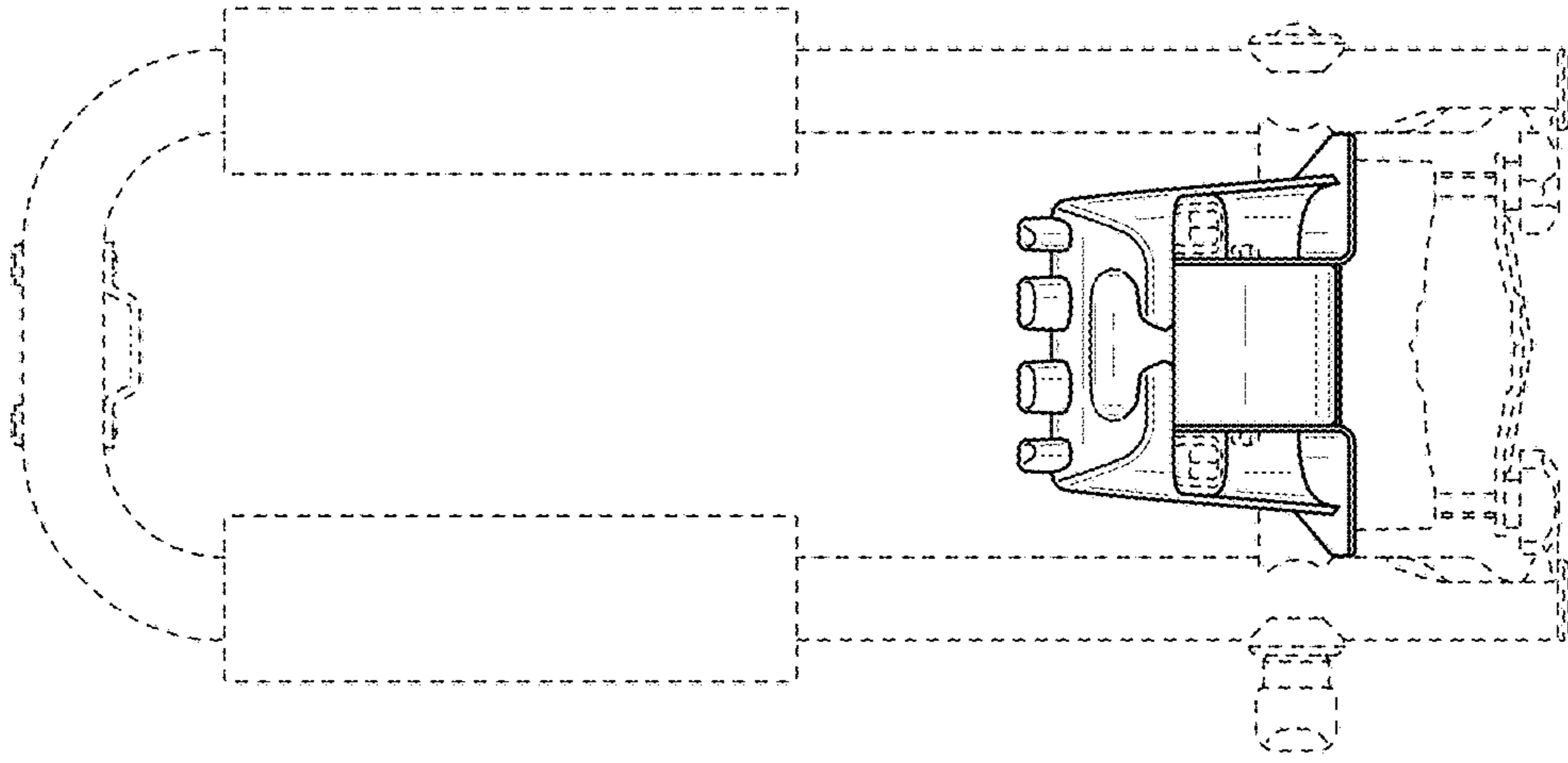


FIG. 3

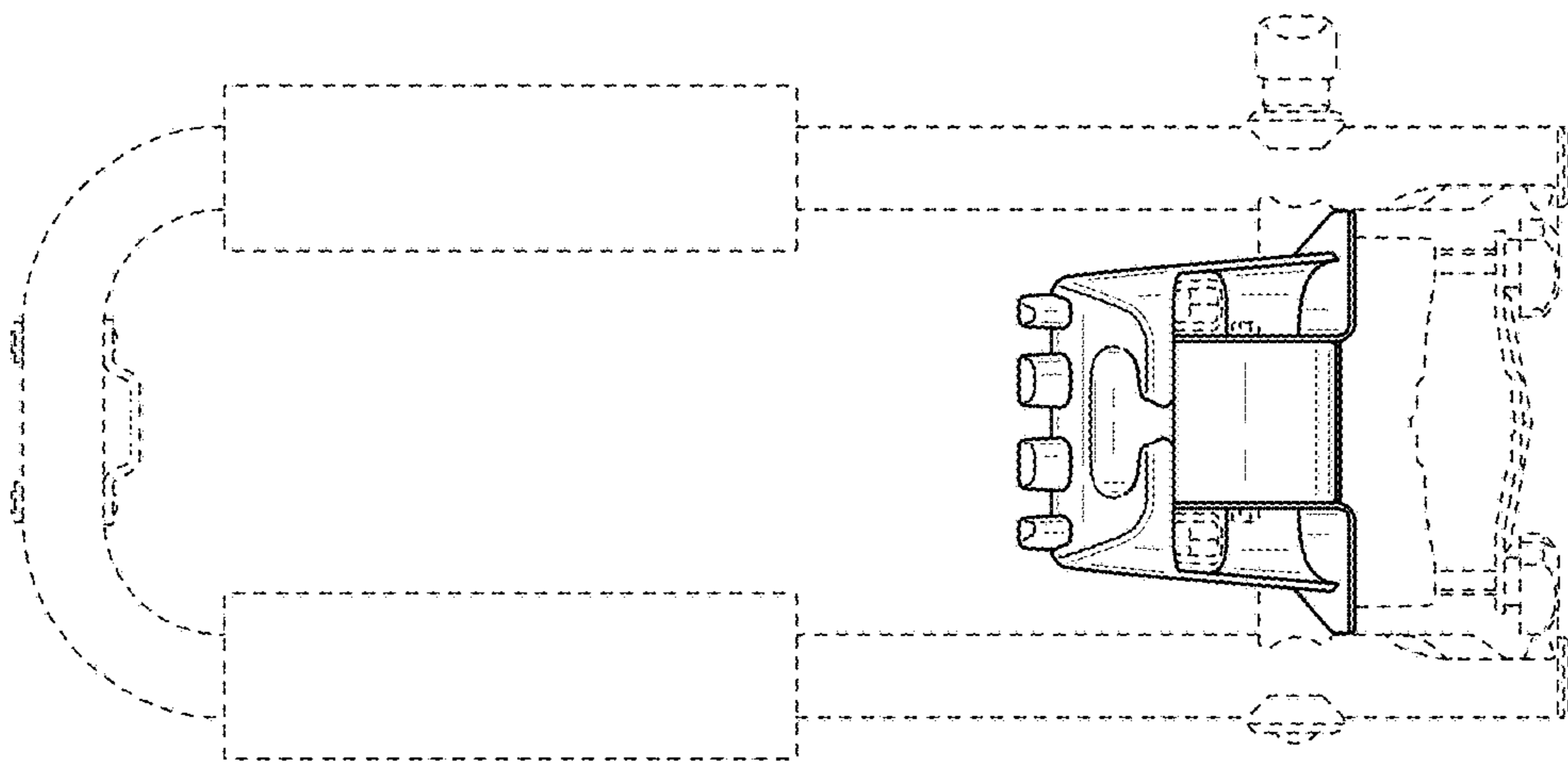


FIG. 4

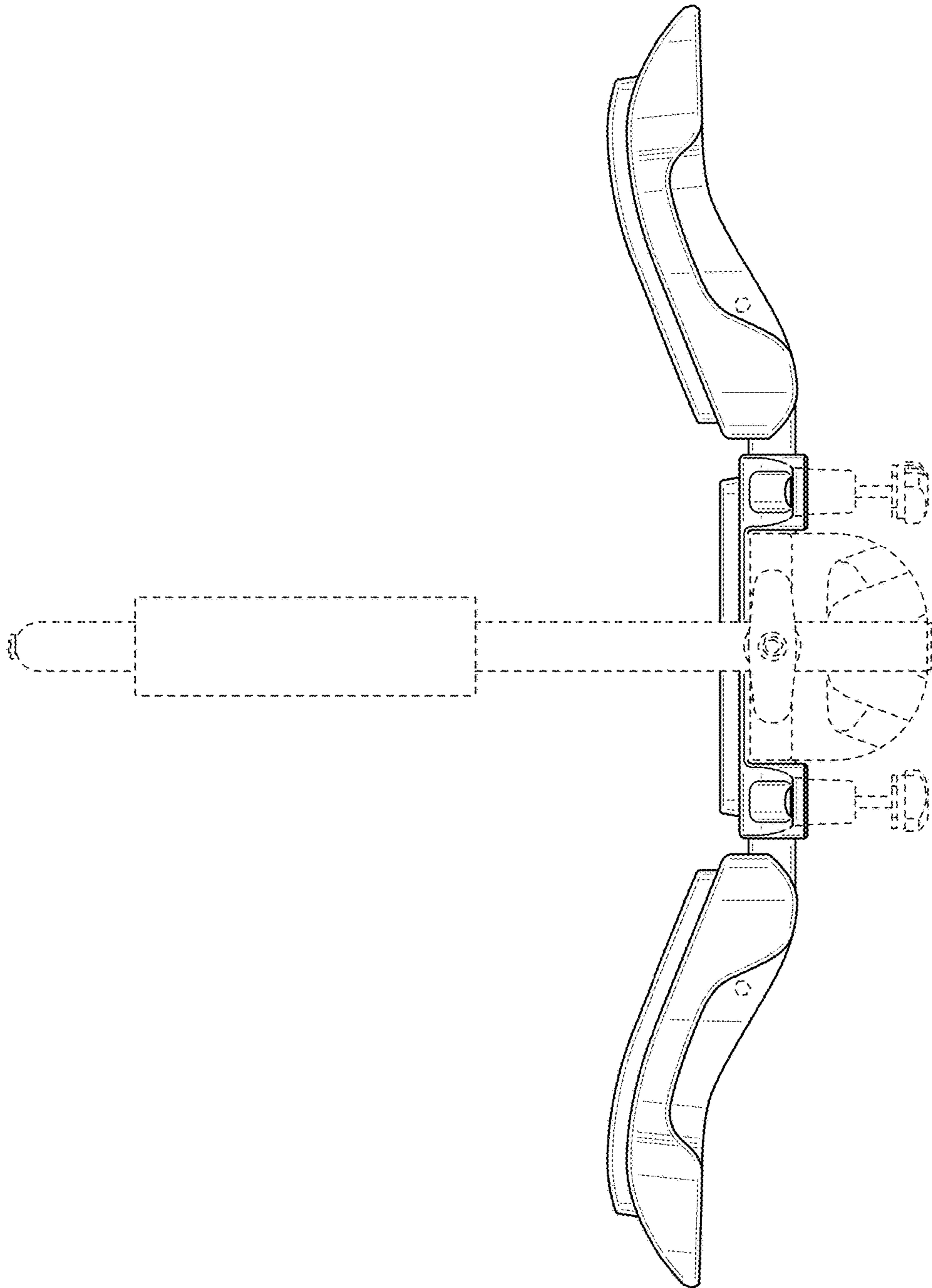


FIG. 5

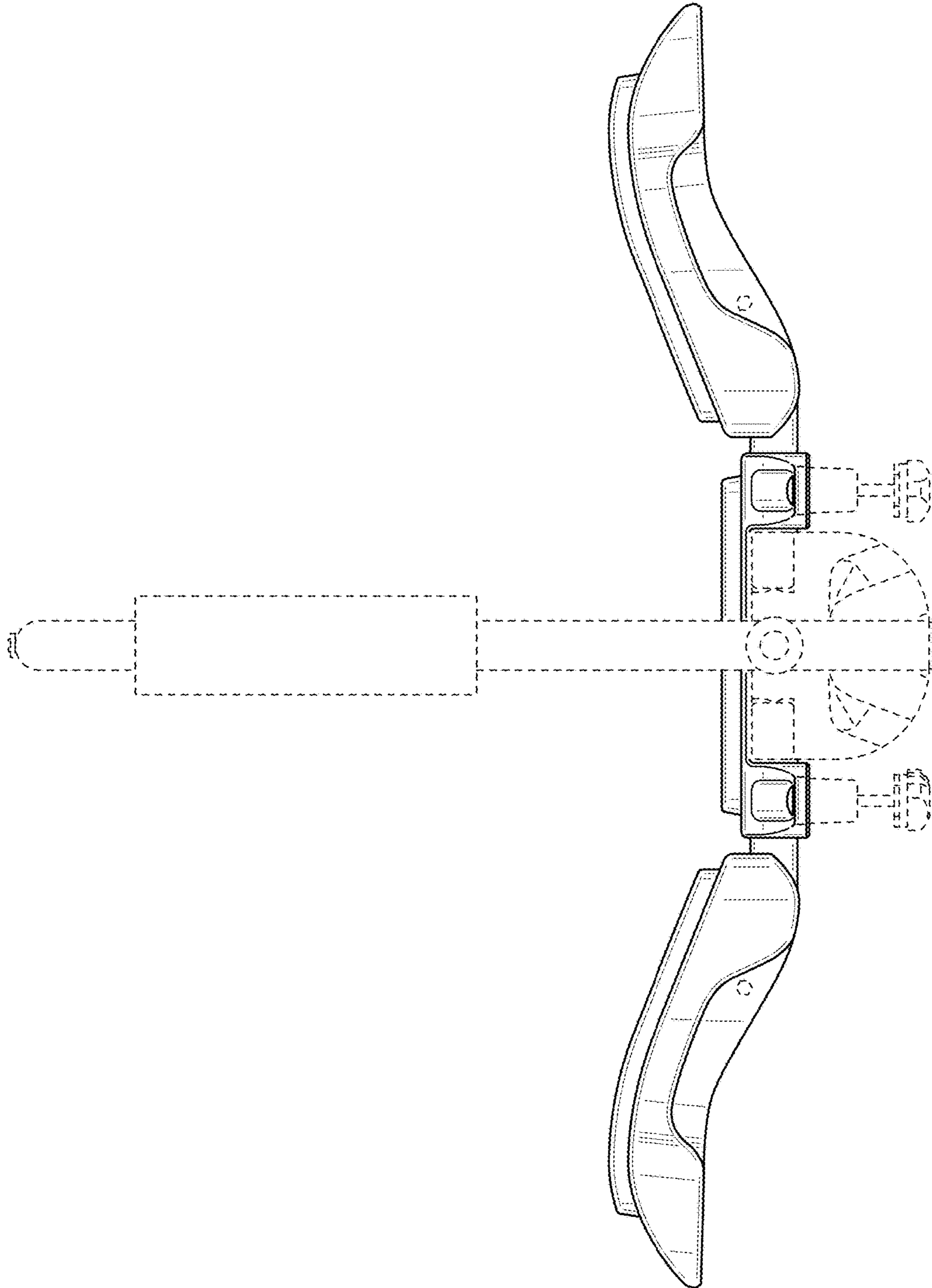


FIG. 6

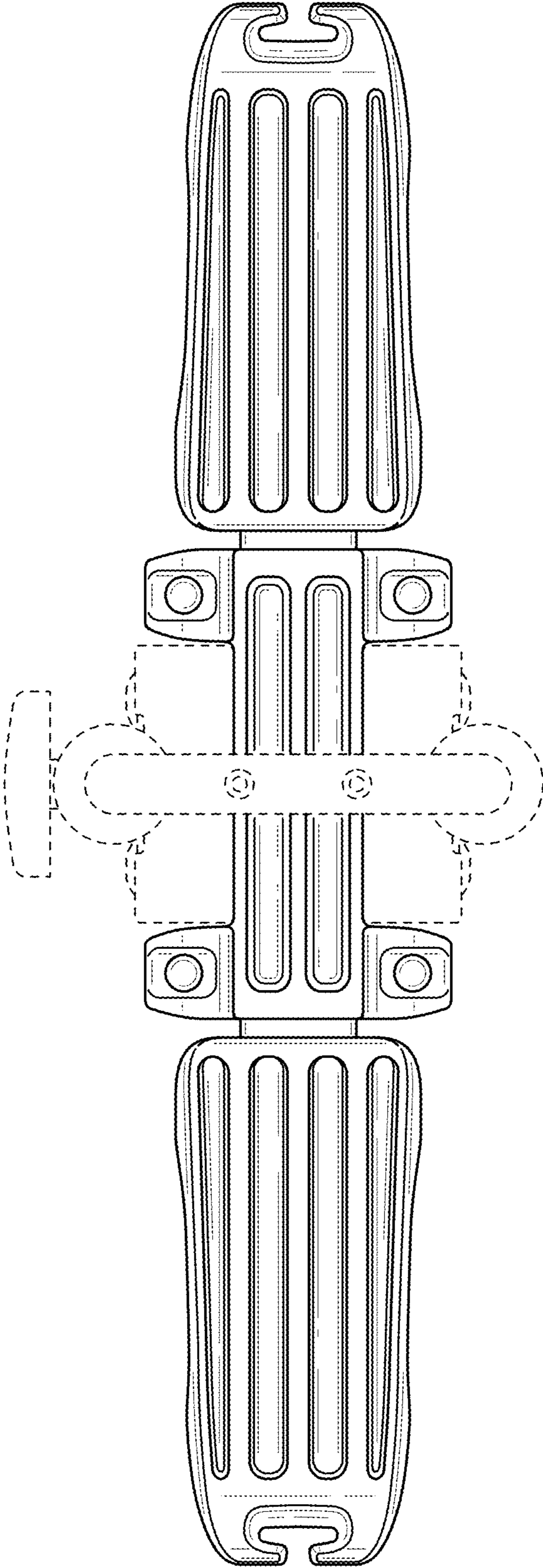


FIG. 7

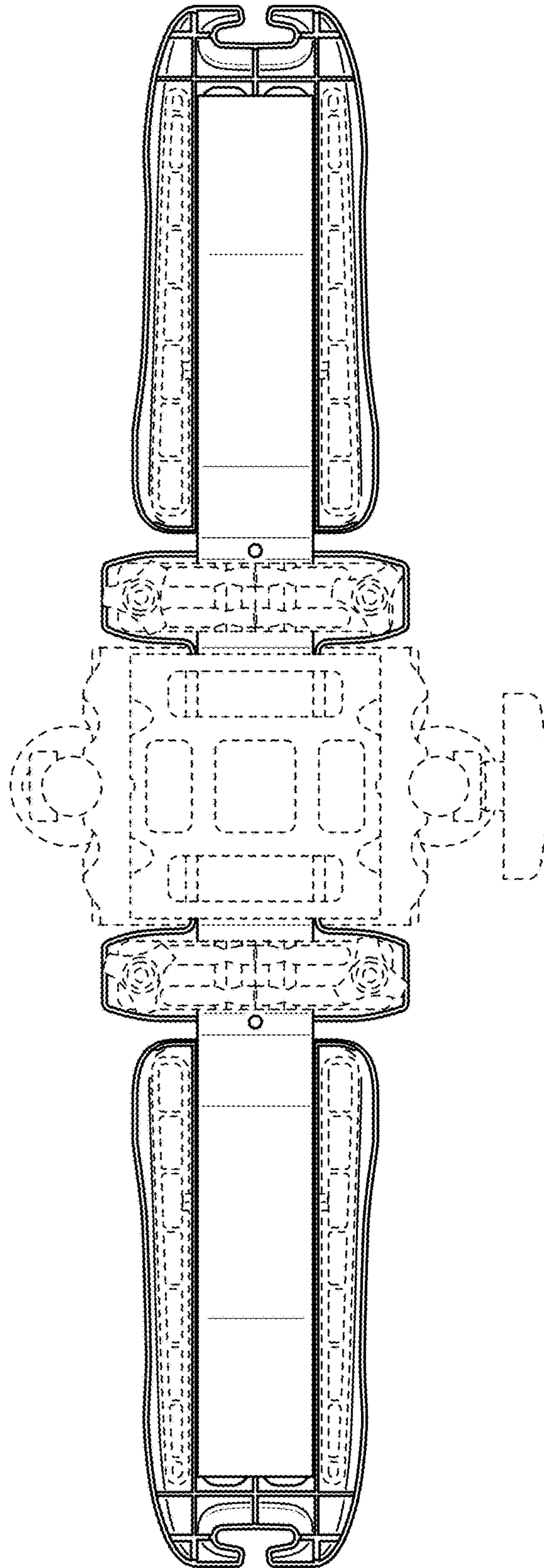


FIG. 8