



US00D811983S

(12) **United States Design Patent**  
**Read**

(10) **Patent No.:** **US D811,983 S**

(45) **Date of Patent:** **\*\* Mar. 6, 2018**

- (54) **TRIMARAN HULL**
- (71) Applicant: **PENOBSCOT EAST RESOURCE CENTER, INC.**, Stonington, ME (US)
- (72) Inventor: **Douglas Andrew Read**, Damariscotta, ME (US)
- (73) Assignee: **Maine Center for Coastal Fisheries**, Stonington, ME (US)

7,237,500 B2 7/2007 Armstrong et al.  
 8,342,114 B2 1/2013 Goubault et al.  
 8,707,880 B2 4/2014 Armstrong  
 8,807,058 B1 8/2014 Roche, IV et al.  
 (Continued)

**FOREIGN PATENT DOCUMENTS**

EP 0 271 939 A1 6/1988  
 EP 2 571 750 B1 6/2014  
 (Continued)

(\*\*) Term: **15 Years**

(21) Appl. No.: **29/546,757**

(22) Filed: **Nov. 25, 2015**

(51) **LOC (11) Cl.** ..... **12-06**

(52) **U.S. Cl.**  
USPC ..... **D12/312**

(58) **Field of Classification Search**  
 USPC ..... D12/300, 302, 303, 304, 307, 310–314,  
 D12/316, 317; 114/39.11–39.15,  
 114/39.21–39.32, 61.1, 61.2, 61.32,  
 114/61.33, 62, 355–358, 271, 273, 283,  
 114/288–292, 343, 363; 440/27, 35  
 CPC ..... B63B 17/00; B63B 17/02; B63B 35/81;  
 B63B 35/816; B62B 21/04

See application file for complete search history.

(56) **References Cited**

**U.S. PATENT DOCUMENTS**

|                |        |          |                      |
|----------------|--------|----------|----------------------|
| 4,091,761 A    | 5/1978 | Fehn     |                      |
| 4,348,972 A    | 9/1982 | Parsons  |                      |
| 4,644,890 A    | 2/1987 | Lott     |                      |
| 5,415,120 A    | 5/1995 | Barg     |                      |
| D407,366 S *   | 3/1999 | Badsey   | D12/300              |
| D429,682 S *   | 8/2000 | Garland  | D12/300              |
| D488,117 S *   | 4/2004 | Bills    | D12/300              |
| 6,994,049 B1 * | 2/2006 | Schulz   | B63B 1/20<br>114/274 |
| 7,040,244 B1   | 5/2006 | Ferran   |                      |
| D524,714 S *   | 7/2006 | Barbeito | D12/300              |

**OTHER PUBLICATIONS**

“2014-2018 Strategic Plan,” Penobscot East Resource Center Pamphlet, [www.penobscoteast.org/mission-and-vision/strategic-plan/](http://www.penobscoteast.org/mission-and-vision/strategic-plan/), Feb. 2014, (8 pages).

(Continued)

*Primary Examiner* — Cynthia M Chin  
(74) *Attorney, Agent, or Firm* — Finnegan, Henderson, Farabow, Garrett & Dunner LLP

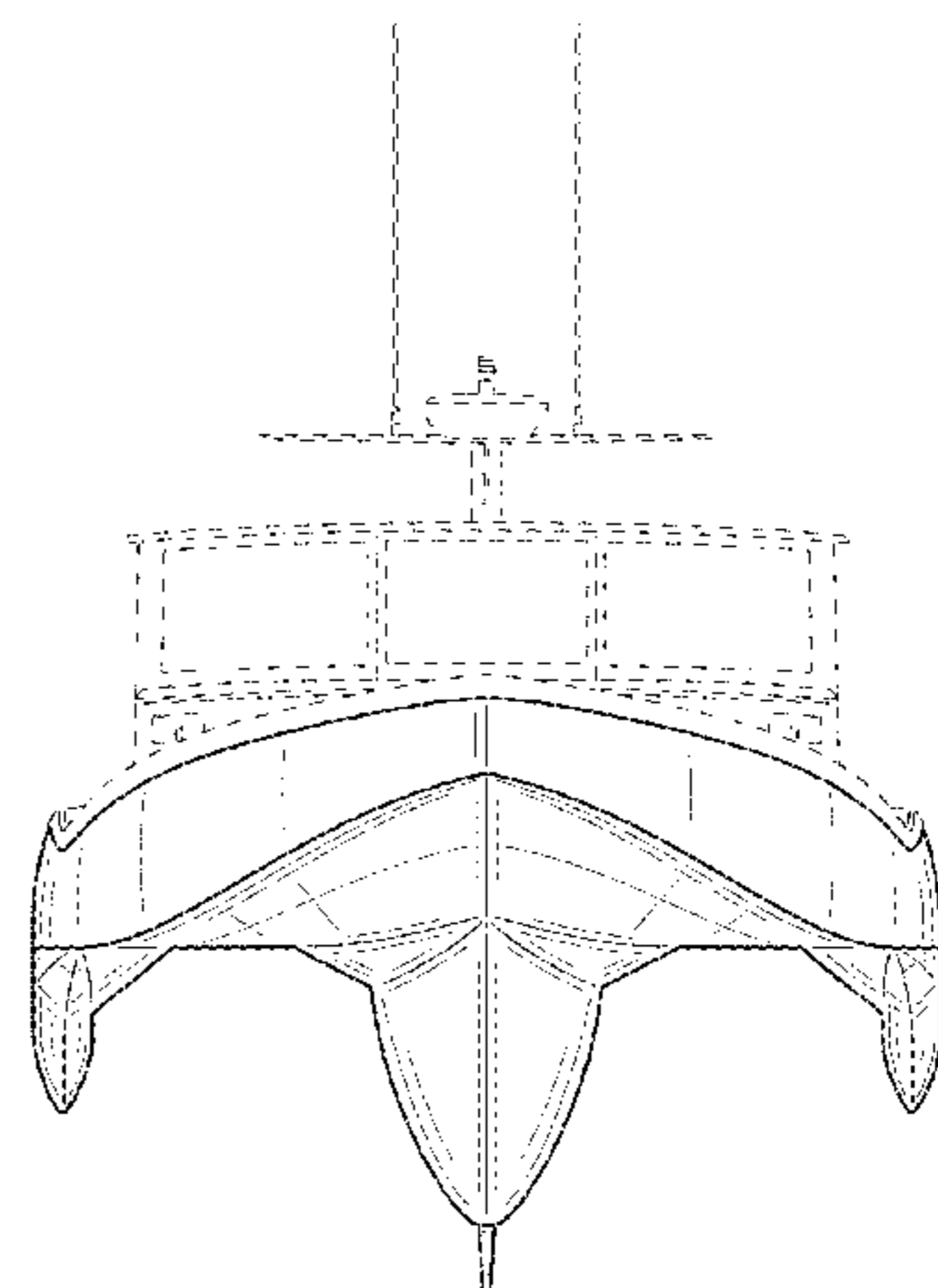
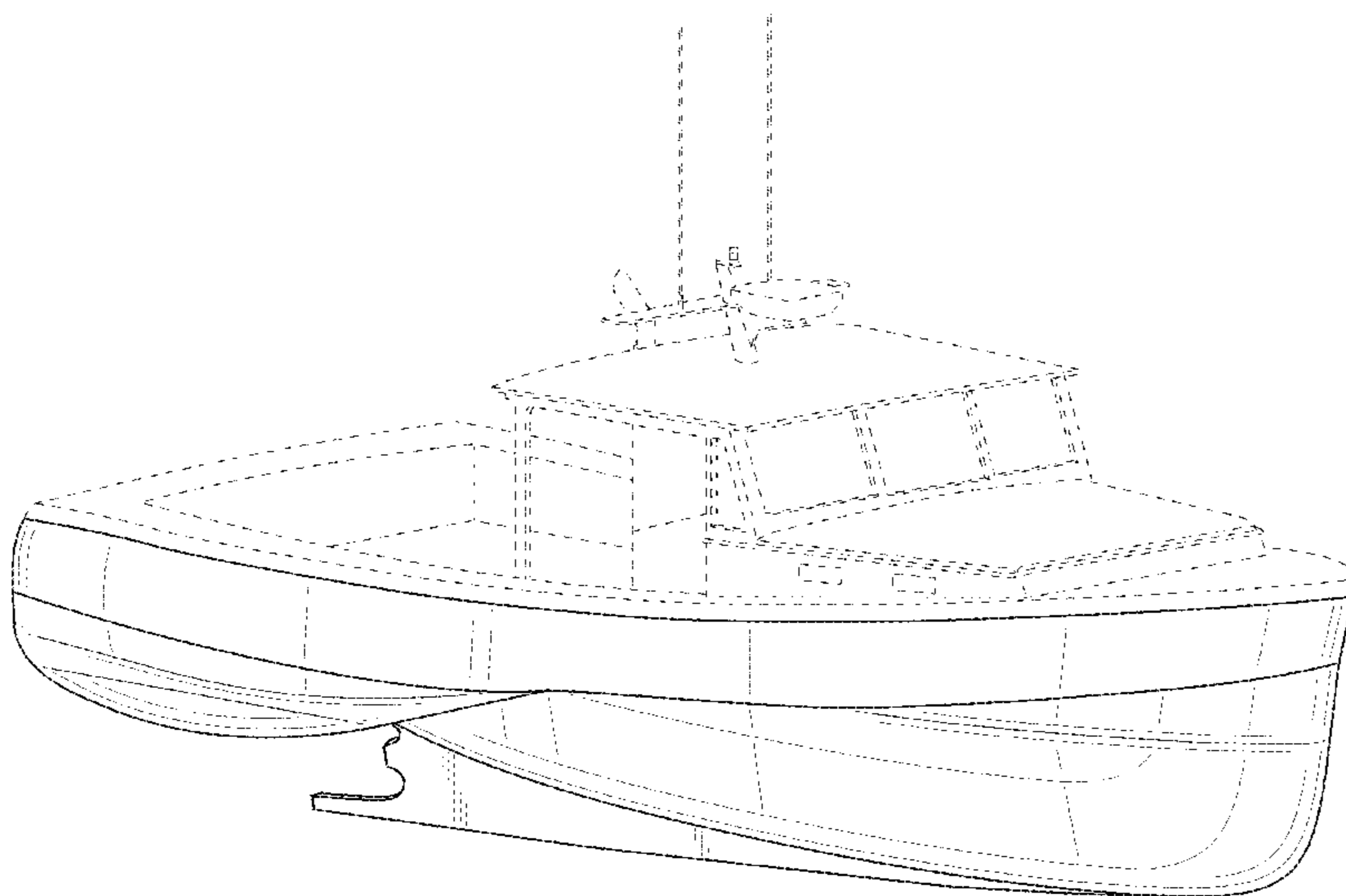
(57) **CLAIM**

The ornamental design for a trimaran hull, as shown and described.

**DESCRIPTION**

FIG. 1 is a front left perspective view of a trimaran hull showing the new design;  
 FIG. 2 is a bottom front left perspective view thereof;  
 FIG. 3 is a front elevation view thereof;  
 FIG. 4 is a rear elevation view thereof;  
 FIG. 5 is a left side elevation view thereof;  
 FIG. 6 is a right side elevation view thereof;  
 FIG. 7 is a top plan view thereof; and,  
 FIG. 8 is a bottom plan view thereof.  
 The broken lines shown in the drawings illustrate portions of the boat that form no part of the claimed design.

**1 Claim, 8 Drawing Sheets**



(56)

## References Cited

## U.S. PATENT DOCUMENTS

8,833,284 B1 9/2014 Resta  
 D718,210 S \* 11/2014 Kristinsson ..... D12/317  
 9,003,997 B2 \* 4/2015 Gratz ..... B63B 17/00  
 114/362  
 D763,776 S \* 8/2016 Braver ..... D12/300  
 2011/0056425 A1 3/2011 Campbell et al.  
 2011/0303142 A1 \* 12/2011 Craze ..... B63B 17/02  
 114/361  
 2012/0137945 A1 6/2012 Armstrong et al.

## FOREIGN PATENT DOCUMENTS

FR 2584365 A1 1/1987  
 WO WO 1998/0036961 A1 8/1998  
 WO WO 2012/0016295 A1 2/2012

## OTHER PUBLICATIONS

“Austal Trimaran Technology,” *Austal*, [www.austal.com/Resources/Deliveries/4a74c8d1-9ece-4ea8-8693-bcf8493e31cf/trimaran-technology-lowres.pdf](http://www.austal.com/Resources/Deliveries/4a74c8d1-9ece-4ea8-8693-bcf8493e31cf/trimaran-technology-lowres.pdf), accessed on Oct. 1, 2014 (6 pages).  
 “Green Lobster Boat,” *Penobscot East Resource Center*, <http://www.penobscoteast.org/programs/green-lobster-boat/>, © 2014 Penobscot East Resource Center, accessed on Oct. 1, 2014, (4 pages).  
 Alden, Robin, “*Penobscot East Resource Center News: Penobscot East Looks to Fuel-Efficient Boat and Local Bait Sources*, Part 3 of 4,” *Island Ad-Vantages*, Nov. 10, 2011, (1 page).  
 Brophy, Jessica, “*‘Green’ Lobster Boat Passes Seaworthiness Tests*,” *Island Ad-Vantages*, Published Jul. 18, 2013, [http://islandadvantages.com/news/2013/jul/18/green-lobster-boat-passes-seaworthiness-tests/#.Vgwla\\_IVhHw/](http://islandadvantages.com/news/2013/jul/18/green-lobster-boat-passes-seaworthiness-tests/#.Vgwla_IVhHw/), accessed Sep. 30, 2015 (1 page).  
 Brophy, Jessica, “*Workshop Gives Tips, Tricks, and Designs for Lobster Boat Fuel Efficiency*,” *Island Ad-Vantages*, Published Nov. 23, 2011, <http://islandadvantages.com/news/2011/nov/29/workshop-gives-tips-tricks-and-designs-for-lobster/> accessed Sep. 30, 2015, (2 pages).  
 Crowe, Mike, “*Green Boats Set for Testing*,” *Fishermen’s Voice*, Published Dec. 2011, vol. 16, No. 12, <http://fishermensvoice.com/122011GreenBoatsSetForTesting.html>, accessed Sep. 30, 2015 (2 pages).  
 Crowley, Michael, “*Design Showcase: Best of Boats & Gear 2014*,” *National Fisherman*, Published Jan. 2015, pp. 32-35.  
 Crowley, Michael, “*Tri Your Luck: New Multihull Design Could Reduce Fuel Costs for Maine Lobstermen*,” *Boats & Gear > Boatbuilding*, *National Fisherman*, Published Jun. 2014, (3 pages).

Ebel, Sarah, “*Innovative Fuel-Saving Technologies*,” *The Working Waterfront*, Published by the Island Institute, Dec. 2011/Jan. 2012 (2 pages).

Henderson, Keith, “*‘Green’ Lobster Boat*,” *Maritime Propulsion Powering the Marine Industry*, Published Apr. 21, 2011, <http://articles.maritimepropulsion.com/article/e2809cGreene2809d-Lobster-Boat-7653.aspx>, accessed Sep. 30, 2015 (1 page).

Idlebrook, Craig, “*Fuel-Efficient Lobster Boat Design Lauded*,” *The Working Waterfront*, vol. 26, No. 4, Published Jun. 2013, Published by the Island Institute, (1 page).

Idlebrook, Craig, “*Fuel-Efficient Lobster Boat Design Moving Forward*,” *The Working Waterfront*, Published May 13, 2014, <http://www.workingwaterfrontarchives.org/2013/05/13/fuel-efficient-lobster-boat-design-moving-forward/>, accessed Sep. 30, 2015, (2 pages).

Mobimar 18 Wind Brochure, [www.mobimar.com/index.php?action=file&file-action=download&file-id=30](http://www.mobimar.com/index.php?action=file&file-action=download&file-id=30), accessed on Oct. 1, 2014 (2 pages).

Moretto, Mario, “*New Lobster Boat Design Could Increase Fuel Efficiency by 25 Percent*,” *Bangor Daily News*, Published Jul. 23, 2013 <http://bangordailynews.com/2013/07/23/news/hancock/new-lobster-boat-design-could-increase-fuel-efficiency-by-25-percent/> print/, accessed Sep. 30, 2015, (2 pages).

Penobscot East Resource Center, “*‘Green’ Lobster Boat Sea Trials*,” <http://www.youtube.com/watch?v=OSrwwuB3GZw>; Published on Aug. 27, 2013.

Schreiber, Laurie, “*Green Boats, Acid Water: 2011 Forum Looks Up the Road*,” *Fishermen’s Voice*, Published Apr. 2011, vol. 16, No. 4, <http://www.fishermensvoice.com/archives/0411index.html>, accessed Sep. 30, 2015, (5 pages).

Schreiber, Laurie, “*Naval Architect: Trimaran Lobsterboat Could Save 30 Percent in Fuel*,” *Courier-Gazette*, Published Mar. 27, 2011, <http://knox.villagesoup.com/p/naval-architect-trimaran-lobsterboat-could-save-30-percent-in-fuel/385775?cid=3256812/> accessed Sep. 30, 2015, (4 pages).

Swartz, Brian, “*Maine Maritime Academy: ‘Greener’ Lobster Boats*,” *Bangor Daily News*, Published Saturday, Feb. 25, 2012, (2 pages).

Trotter, “*Fishermen’s Forum to Focus on Streamlining Costs*,” *Bangor Daily News*, Published Mar. 4, 2009, <http://bangordailynews.com/2009/03/04/news/midcoast/fishermensquos-forum-to-focus-on-streamlining-costs/>, accessed Sep. 30, 2015, (1 page).

Wood, Melissa, “*One, Two, or Three Hulls?*,” *National Fisherman*, Published Thursday, Mar. 6, 2014, [www.nationalfisherman.com/blogs/boats-gear/3111-one-two-or-three-hulls](http://www.nationalfisherman.com/blogs/boats-gear/3111-one-two-or-three-hulls), accessed Sep. 30, 2014, (3 pages).

\* cited by examiner

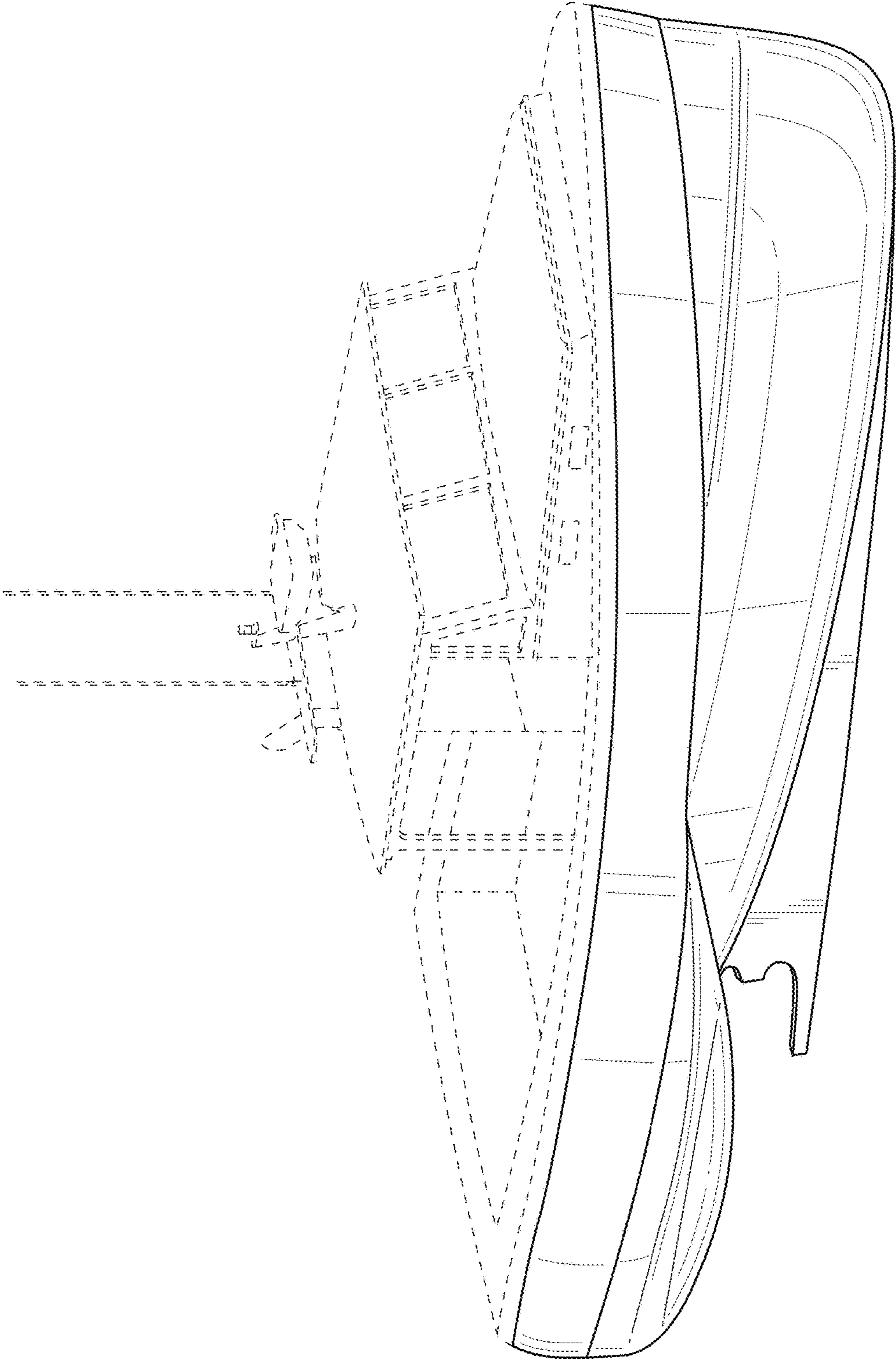
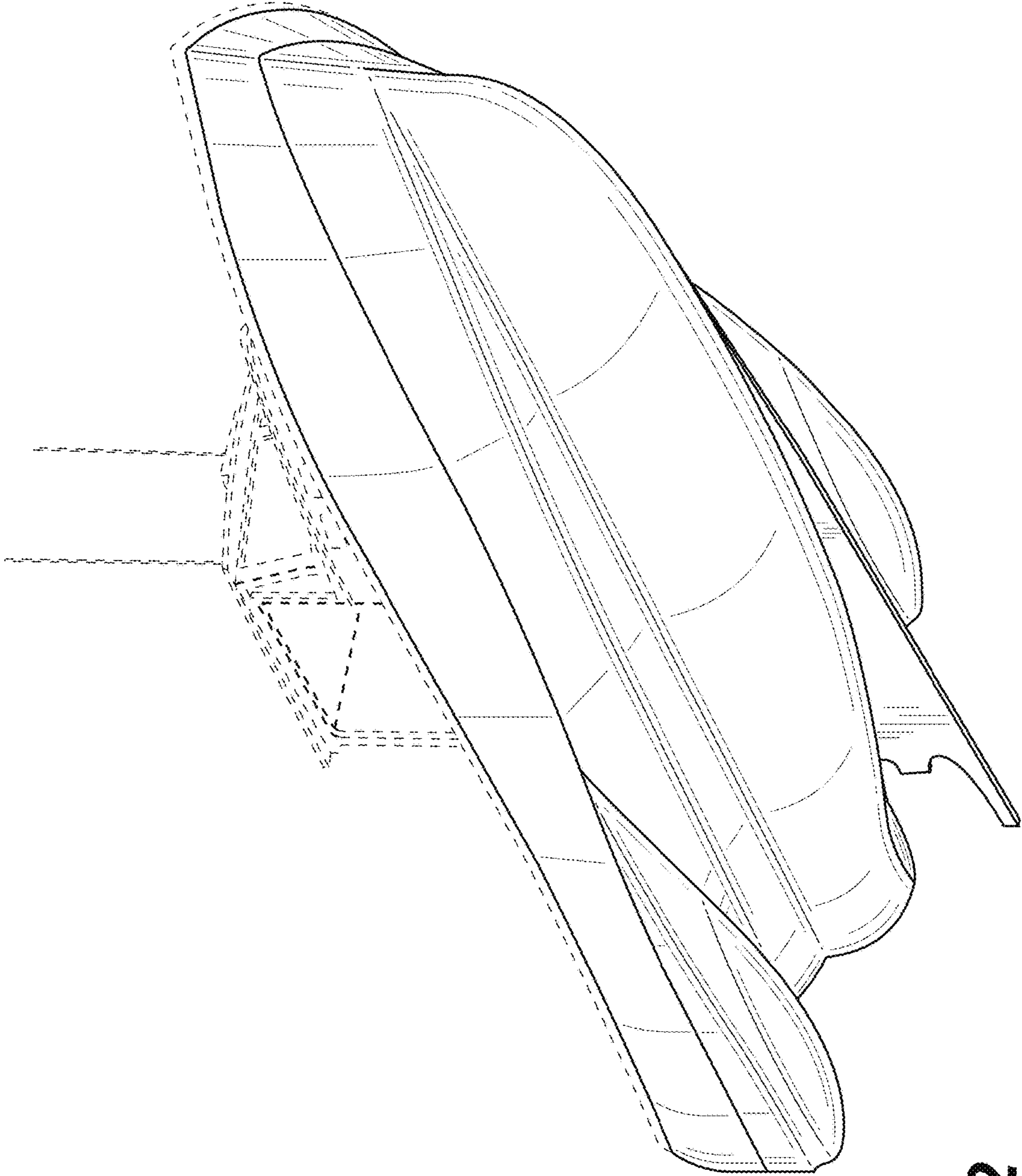


FIG. 1



**FIG. 2**

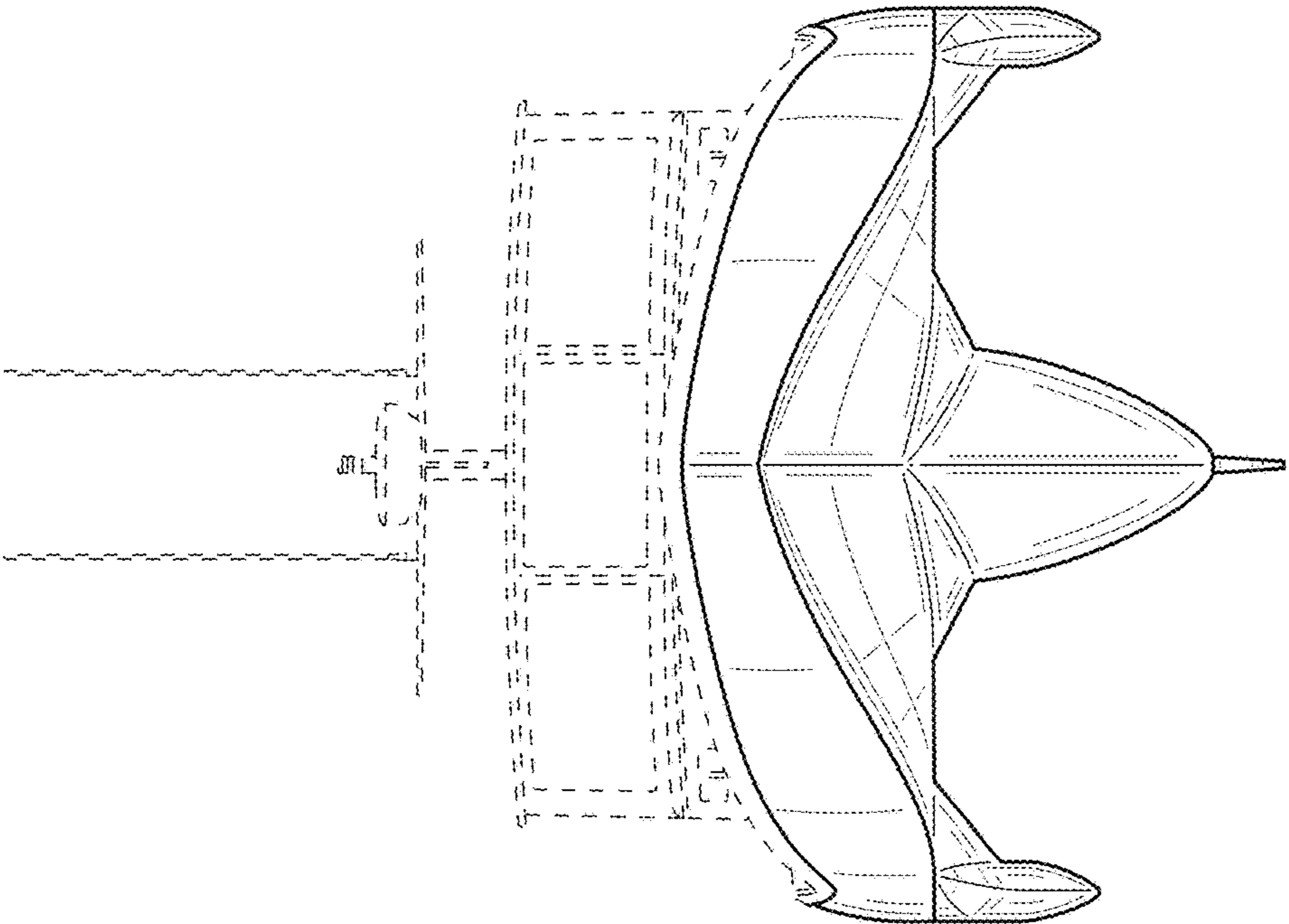
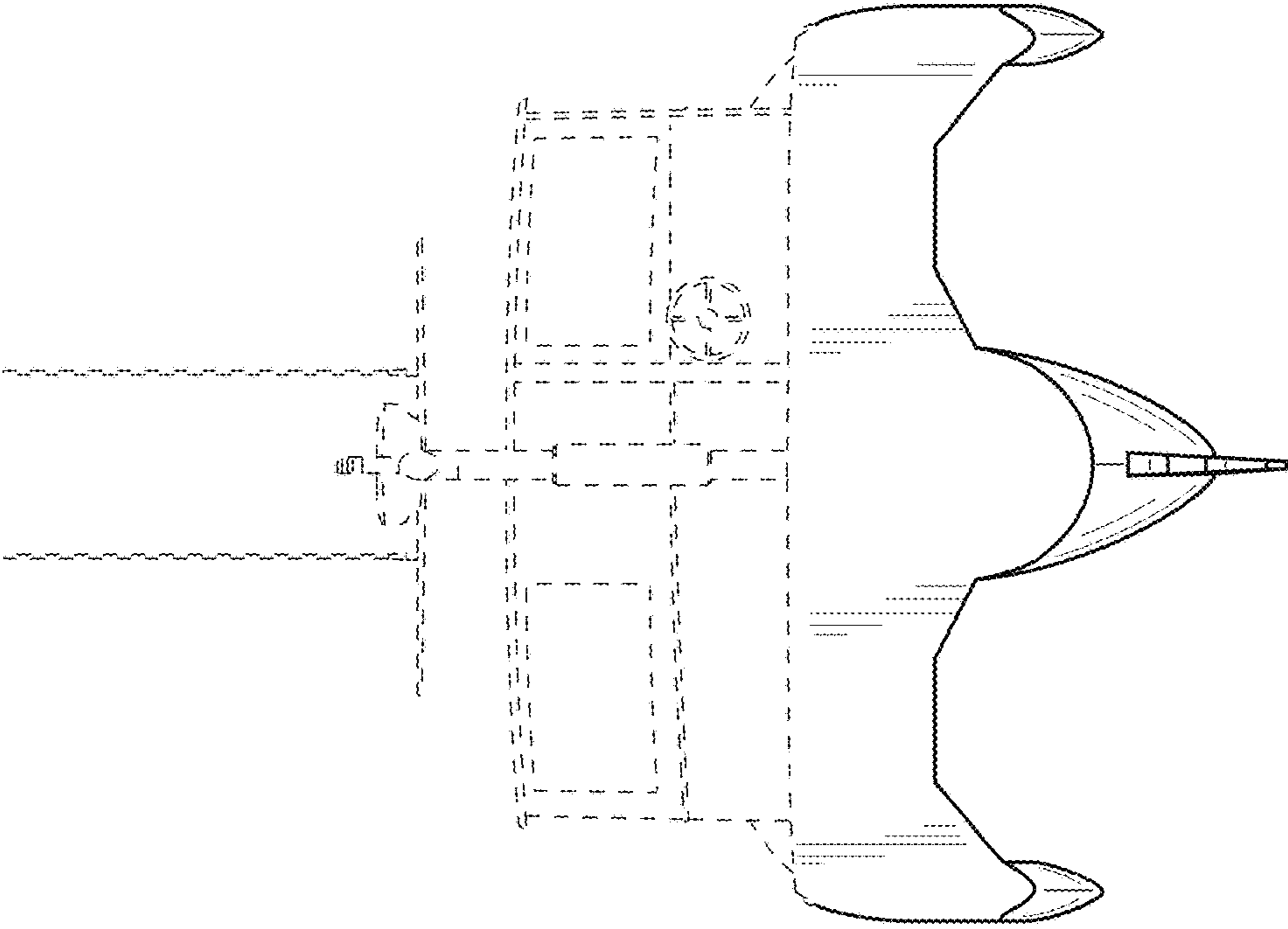
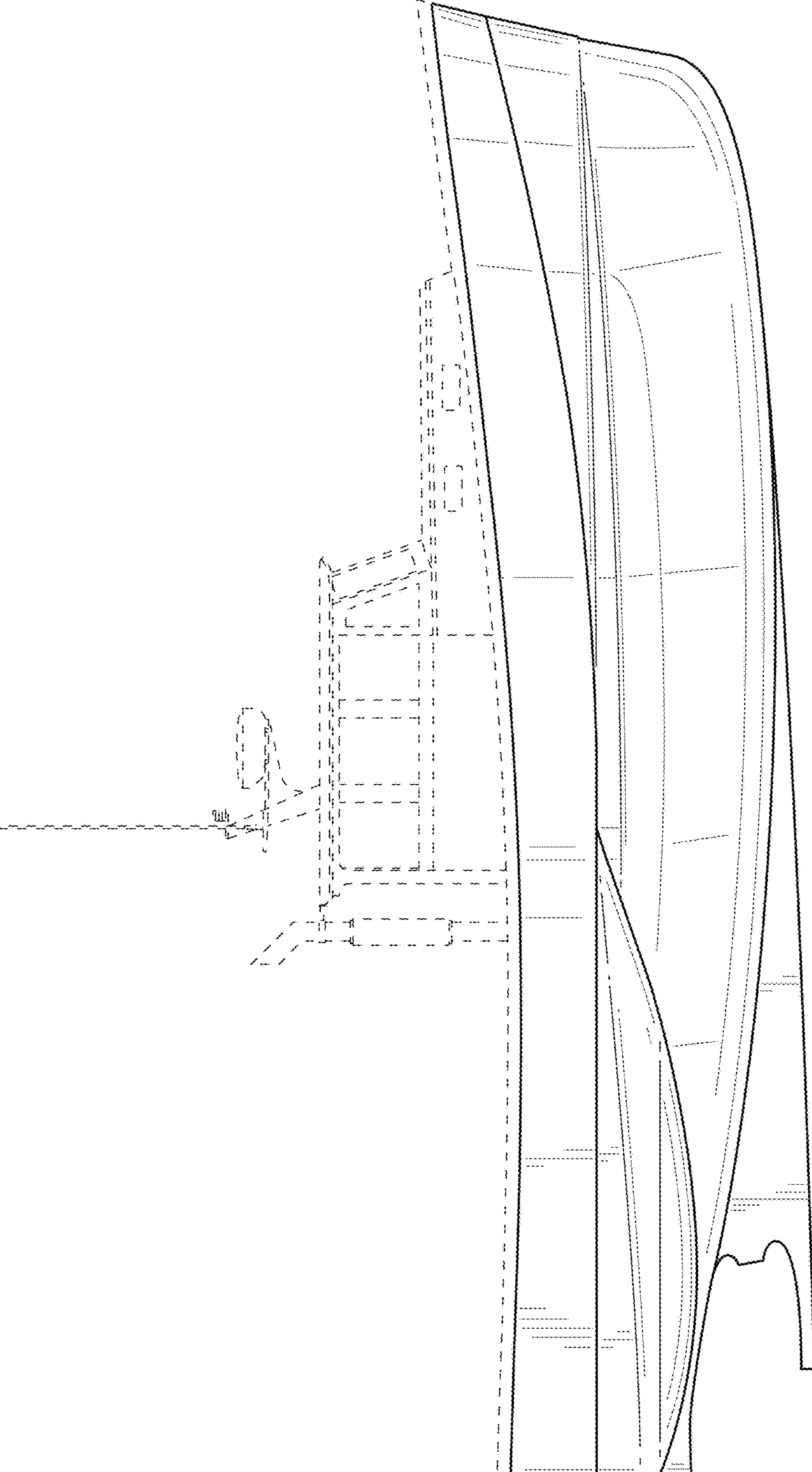


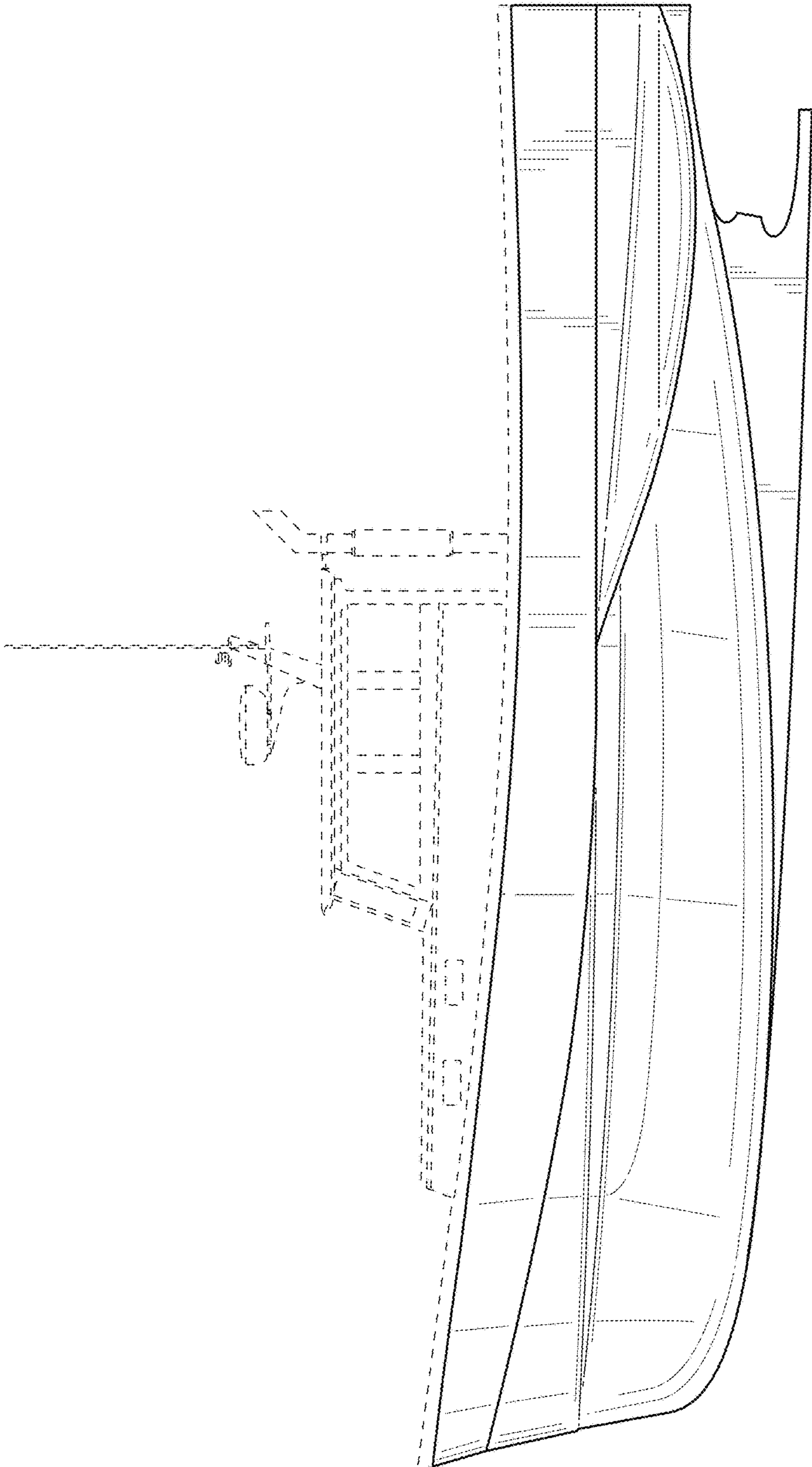
FIG. 3



**FIG. 4**

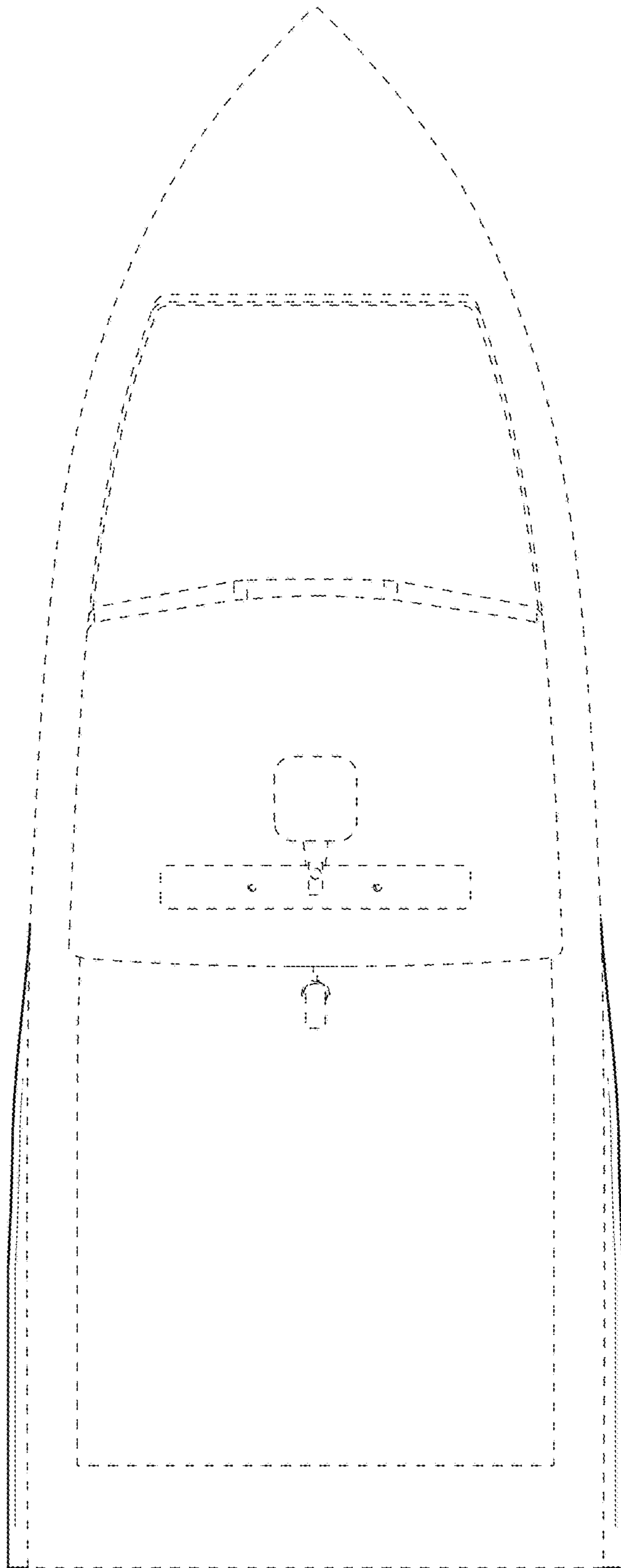


**FIG. 5**

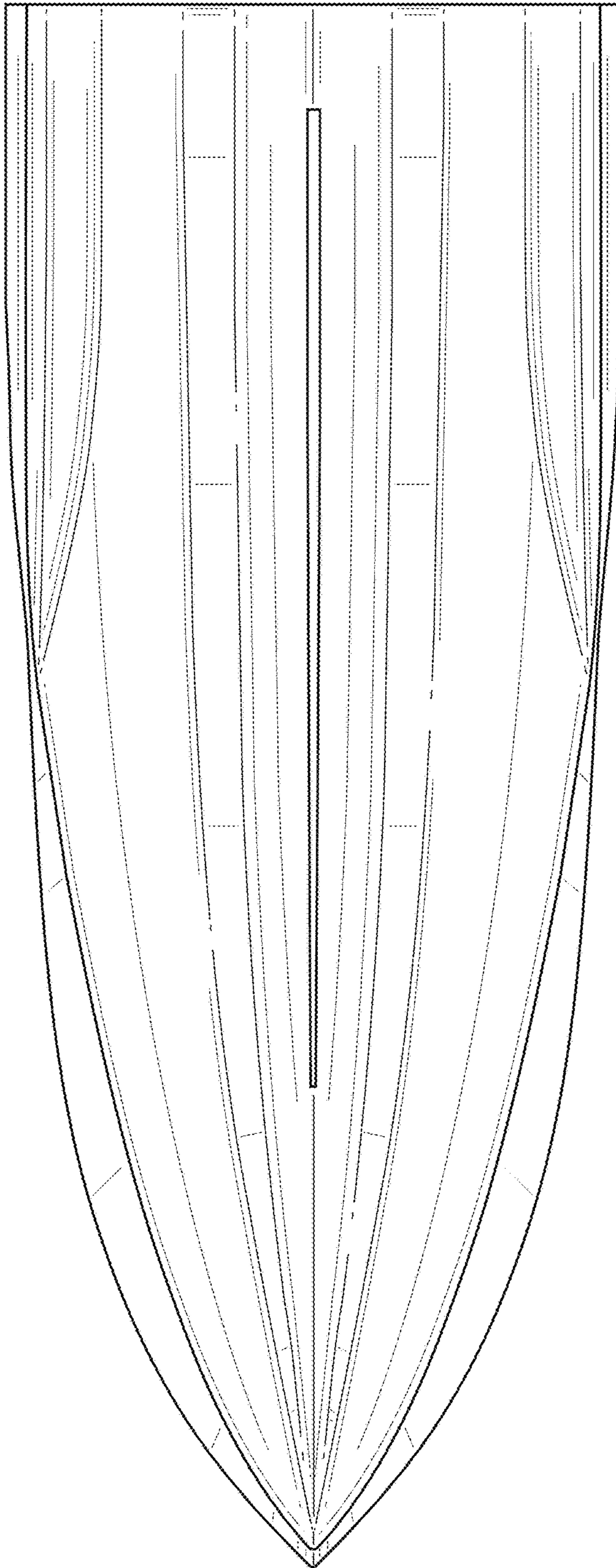


**FIG. 6**





**FIG. 7**



**FIG. 8**