



US00D811982S

(12) **United States Design Patent**
Larson

(10) **Patent No.:** **US D811,982 S**
(45) **Date of Patent:** **** Mar. 6, 2018**

(54) **WHEEL FOR MOTOR VEHICLE**
(71) Applicant: **Dr. Ing. h.c. F. Porsche**
Aktiengesellschaft, Stuttgart (DE)
(72) Inventor: **Grant Larson, Illingen (DE)**
(73) Assignee: **Dr. Ing. h.c. F. Porsche**
Aktiengesellschaft, Stuttgart (DE)
(**) Term: **15 Years**

D649,102 S *	11/2011	Gallert	D12/211
D705,151 S	5/2014	Scheinhutte	
D708,112 S *	7/2014	Mays	D12/211
D710,780 S	8/2014	Borkert	
D722,546 S *	2/2015	Perini	D12/209
D722,935 S *	2/2015	Dingle	D12/209
D741,240 S *	10/2015	Melabiotis	D12/209
D752,495 S *	3/2016	Garbas	D12/209
D755,690 S	5/2016	Von Tardy-Tuch	
D760,143 S	6/2016	Gallert	
D764,368 S *	8/2016	Robinson	D12/209
D780,658 S *	3/2017	Welte	D12/211
D783,494 S *	4/2017	Macey	D12/209
D786,164 S *	5/2017	Henderson	D12/211

(21) Appl. No.: **29/572,498**

(22) Filed: **Jul. 28, 2016**

(30) **Foreign Application Priority Data**

Feb. 10, 2016 (DE) 40 2016 100 126

(51) **LOC (11) Cl.** **12-16**

(52) **U.S. Cl.**
USPC **D12/211**

(58) **Field of Classification Search**
USPC D12/204–213
CPC B60B 7/00; B60B 7/02; B60B 7/04; B60B
7/01; B60B 7/06; B60B 3/02; B60B 3/04;
B60B 3/06; B60B 3/10; B60B 1/00;
B60B 1/08; B60B 1/10; B60B 1/12
See application file for complete search history.

(56) **References Cited**

U.S. PATENT DOCUMENTS

D539,724 S *	4/2007	Muzzarelli	D12/211
D581,853 S *	12/2008	Rak	D12/211
D597,919 S *	8/2009	Atwell	D12/211
D606,921 S *	12/2009	Thorsten	D12/211
D639,714 S *	6/2011	Baum	D12/209

OTHER PUBLICATIONS

Design U.S. Appl. No. 29/561,787, by Michael Gallert, filed Apr. 20, 2016.
Design U.S. Appl. No. 29/580,309, by Michael Gallert, filed Oct. 7, 2016.
Design U.S. Appl. No. 29/573,973, by Michael Gallert, filed Aug. 11, 2016.

* cited by examiner

Primary Examiner — Sandra Snapp
(74) *Attorney, Agent, or Firm* — RatnerPrestia

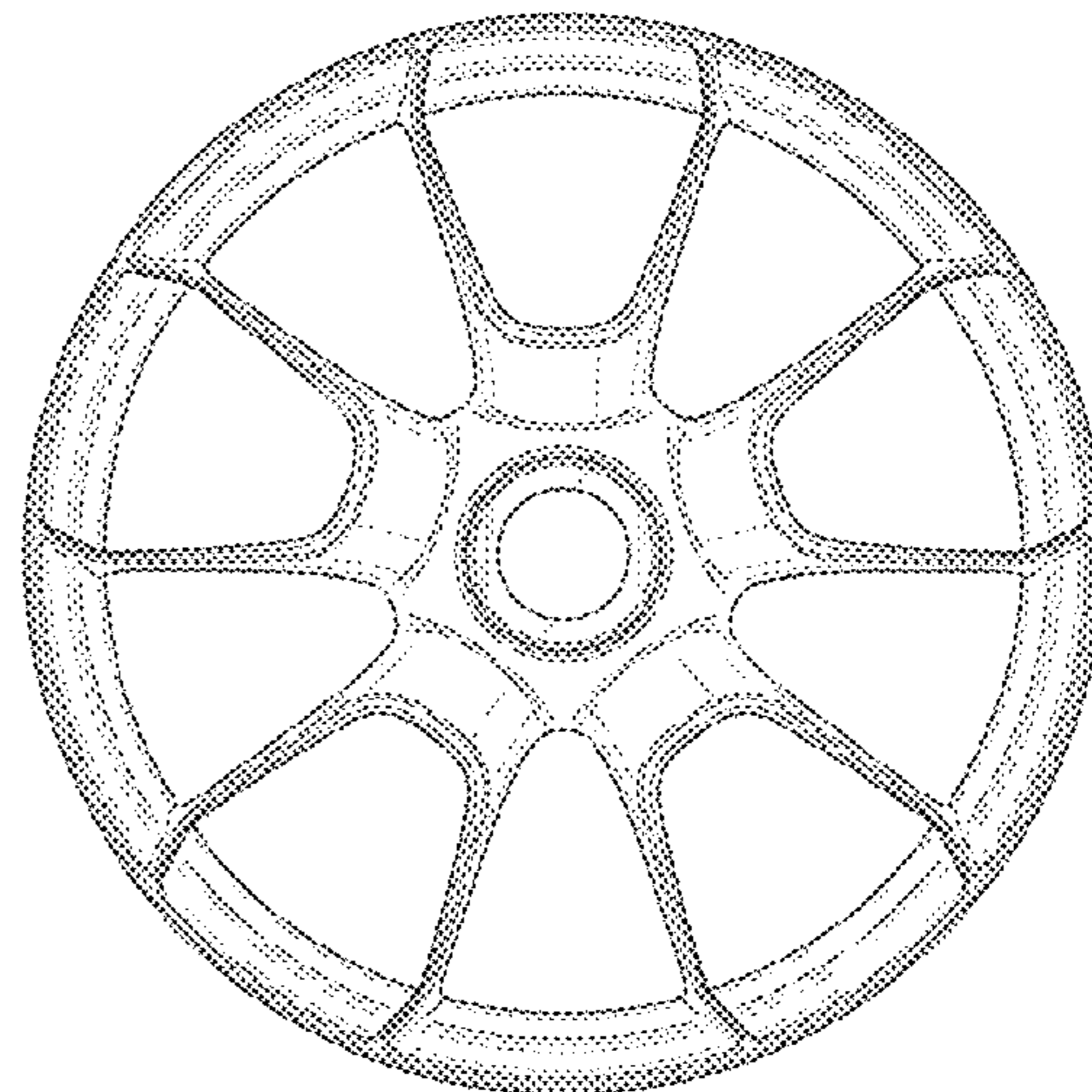
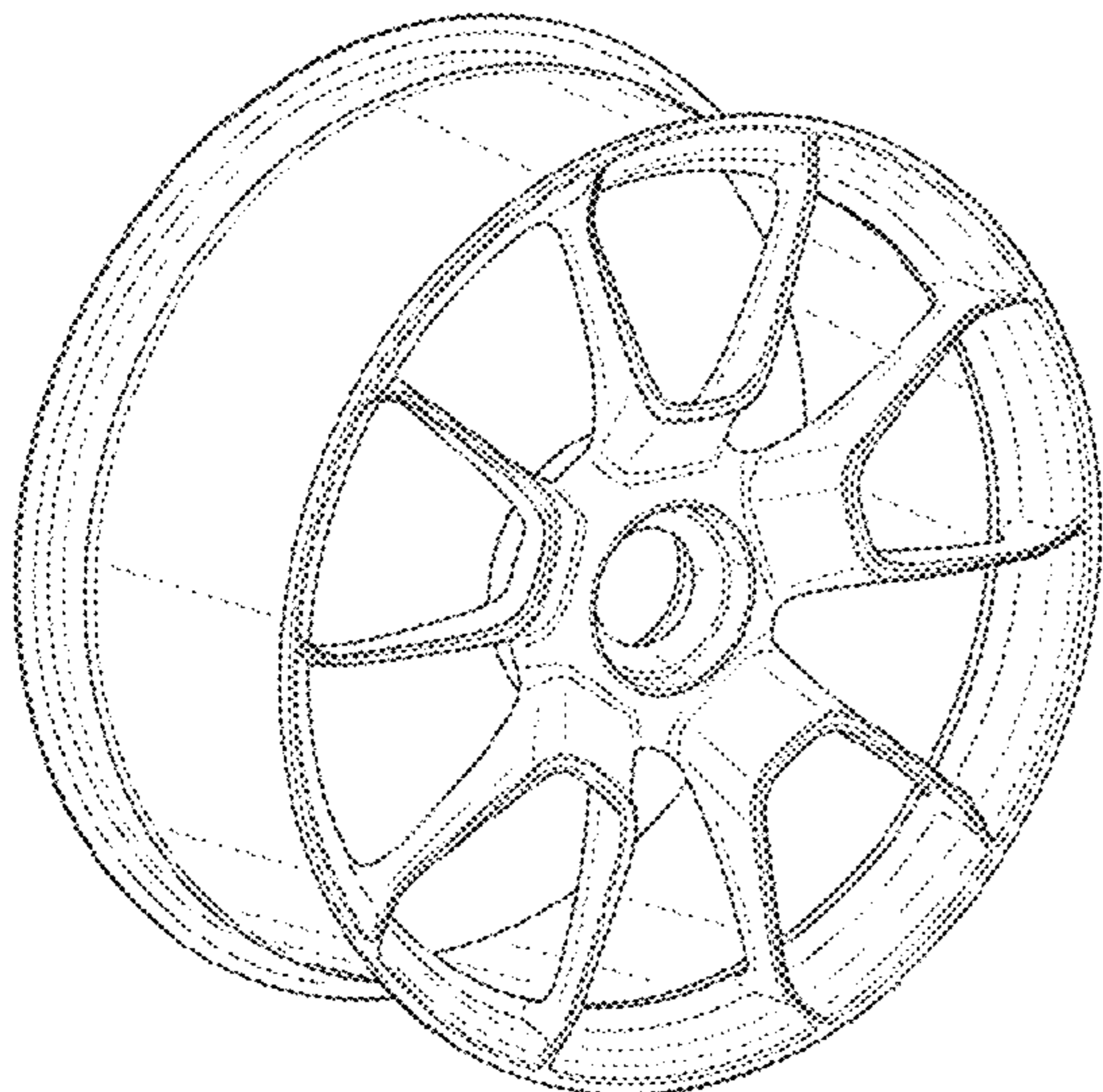
(57) **CLAIM**

The ornamental design for a wheel for motor vehicle, as shown and described.

DESCRIPTION

FIG. 1 is a front perspective view of a wheel for motor vehicle;
FIG. 2 is a front elevation view thereof; and,
FIG. 3 is top plan view thereof.

1 Claim, 2 Drawing Sheets



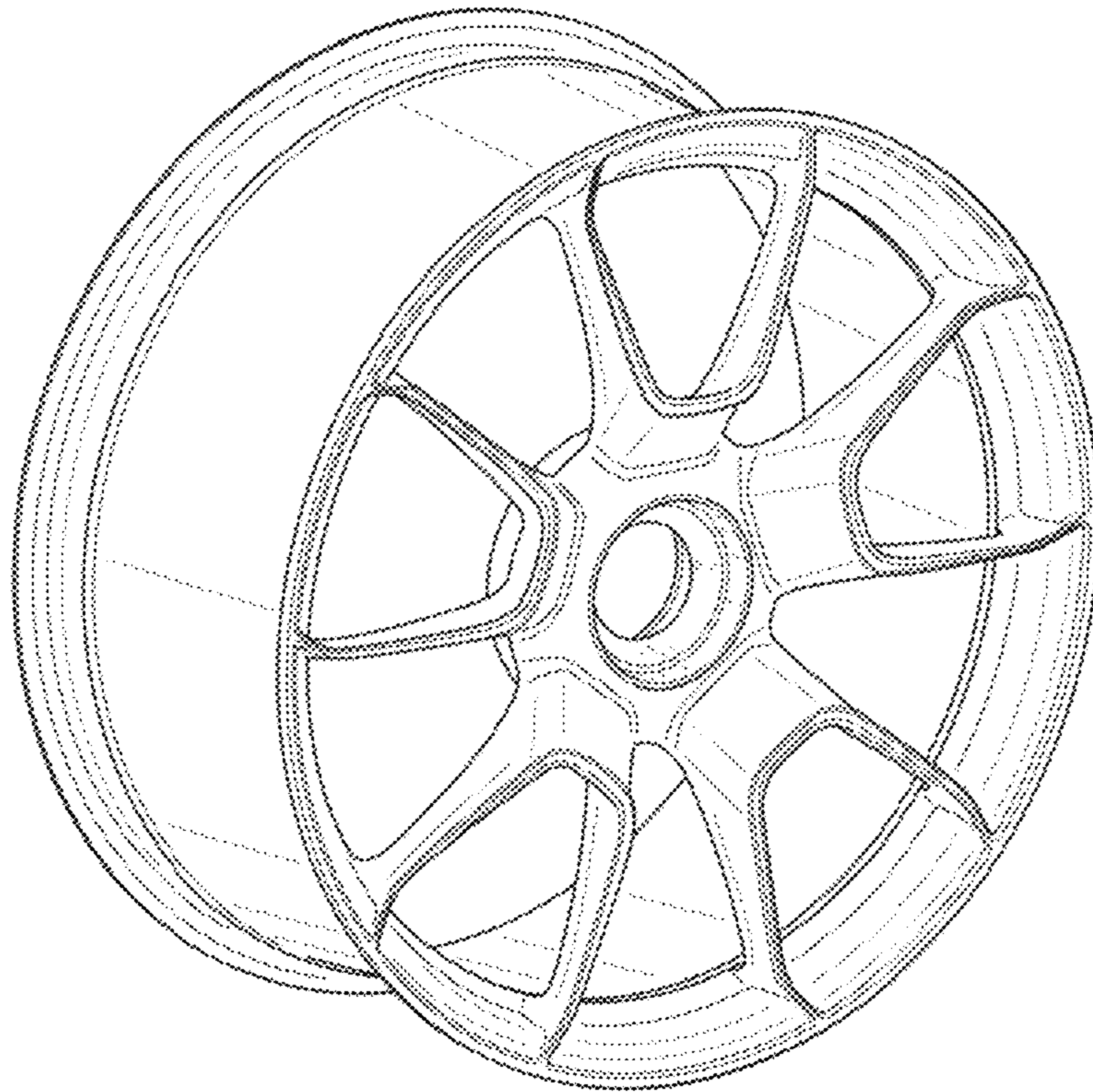


Figure 1

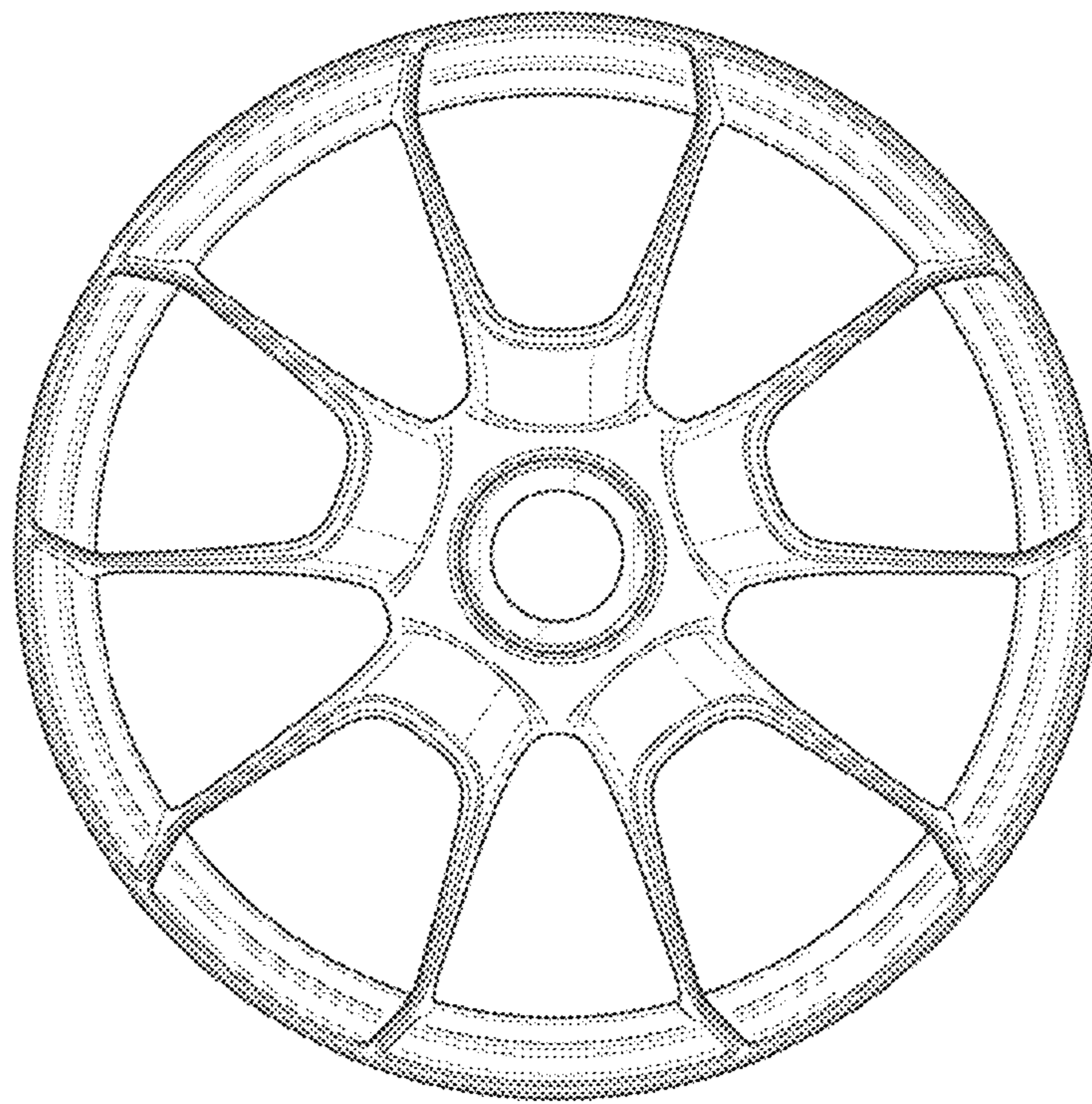


Figure 2

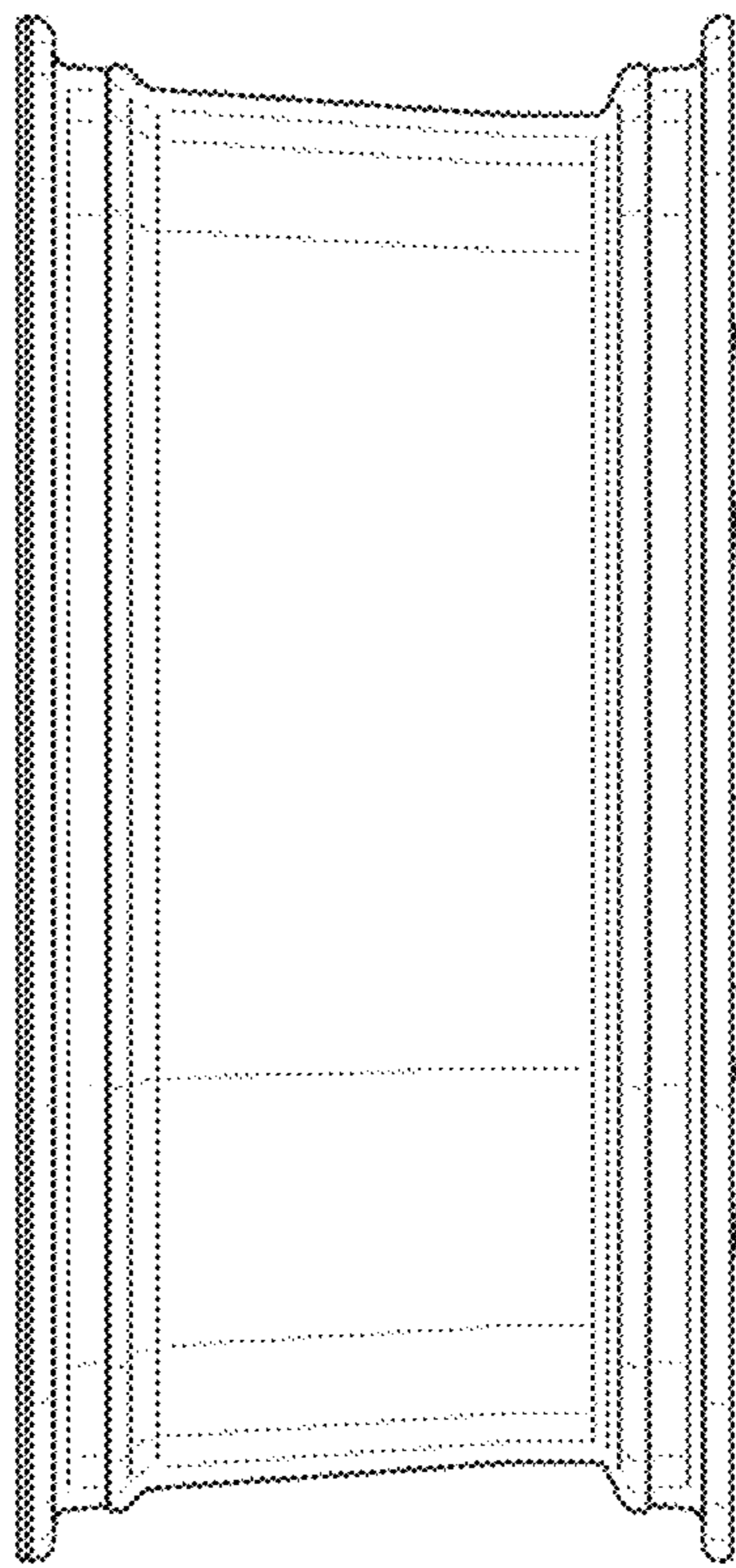


Figure 3