



US00D811980S

(12) **United States Design Patent**  
**Chung**

(10) **Patent No.:** **US D811,980 S**

(45) **Date of Patent:** **\*\* Mar. 6, 2018**

(54) **WHEEL**

(71) Applicant: **Wheel Pros, LLC**, Greenwood Village,  
CO (US)

(72) Inventor: **Suny Chung**, Anaheim, CA (US)

(\*\*) Term: **15 Years**

(21) Appl. No.: **29/569,486**

(22) Filed: **Jun. 28, 2016**

(51) **LOC (11) Cl.** ..... **12-16**

(52) **U.S. Cl.**  
USPC ..... **D12/211**

(58) **Field of Classification Search**  
USPC ..... D12/204–213  
CPC .... B60B 7/00; B60B 7/02; B60B 7/04; B60B  
7/01; B60B 7/06; B60B 3/02; B60B 3/04;  
B60B 3/06; B60B 3/10; B60B 1/00;  
B60B 1/08; B60B 1/10; B60B 1/12  
See application file for complete search history.

(56) **References Cited**

**U.S. PATENT DOCUMENTS**

|              |         |            |       |         |
|--------------|---------|------------|-------|---------|
| D426,184 S * | 6/2000  | Goplen     | ..... | D12/209 |
| D466,854 S * | 12/2002 | Kern       | ..... | D12/211 |
| D484,085 S * | 12/2003 | Tirado     | ..... | D12/211 |
| D492,927 S * | 7/2004  | Fitzgerald | ..... | D12/211 |
| D508,884 S * | 8/2005  | Fridie     | ..... | D12/209 |

|              |         |               |       |         |
|--------------|---------|---------------|-------|---------|
| D569,778 S * | 5/2008  | Kim           | ..... | D12/211 |
| D670,223 S * | 11/2012 | Chung         | ..... | D12/209 |
| D680,488 S * | 4/2013  | Campbell      | ..... | D12/211 |
| D706,198 S * | 6/2014  | Chung         | ..... | D12/211 |
| D712,333 S * | 9/2014  | Chung         | ..... | D12/211 |
| D738,279 S * | 9/2015  | Dionisopoulos | ..... | D12/209 |
| D747,253 S * | 1/2016  | Chung         | ..... | D12/211 |
| D755,692 S * | 5/2016  | Nakahara      | ..... | D12/209 |
| D755,698 S * | 5/2016  | Tirado        | ..... | D12/209 |
| D760,140 S * | 6/2016  | Chung         | ..... | D12/209 |
| D761,178 S * | 7/2016  | Johnson       | ..... | D12/209 |
| D794,533 S * | 8/2017  | Chung         | ..... | D12/213 |
| D794,534 S * | 8/2017  | Chung         | ..... | D12/213 |

\* cited by examiner

*Primary Examiner* — Sandra Snapp

(74) *Attorney, Agent, or Firm* — Eric Hanscom

(57) **CLAIM**

The ornamental design for a wheel, as shown and described.

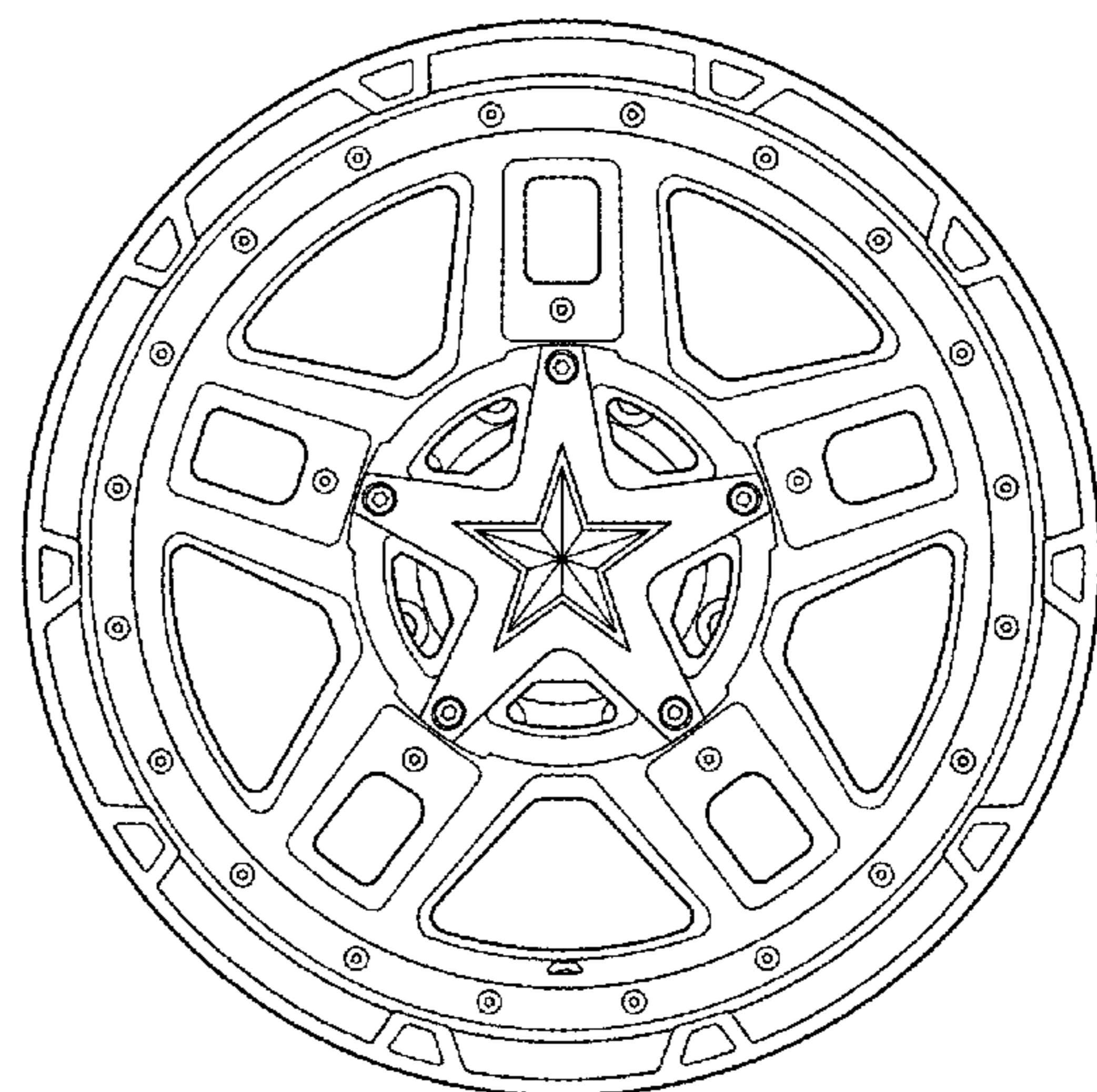
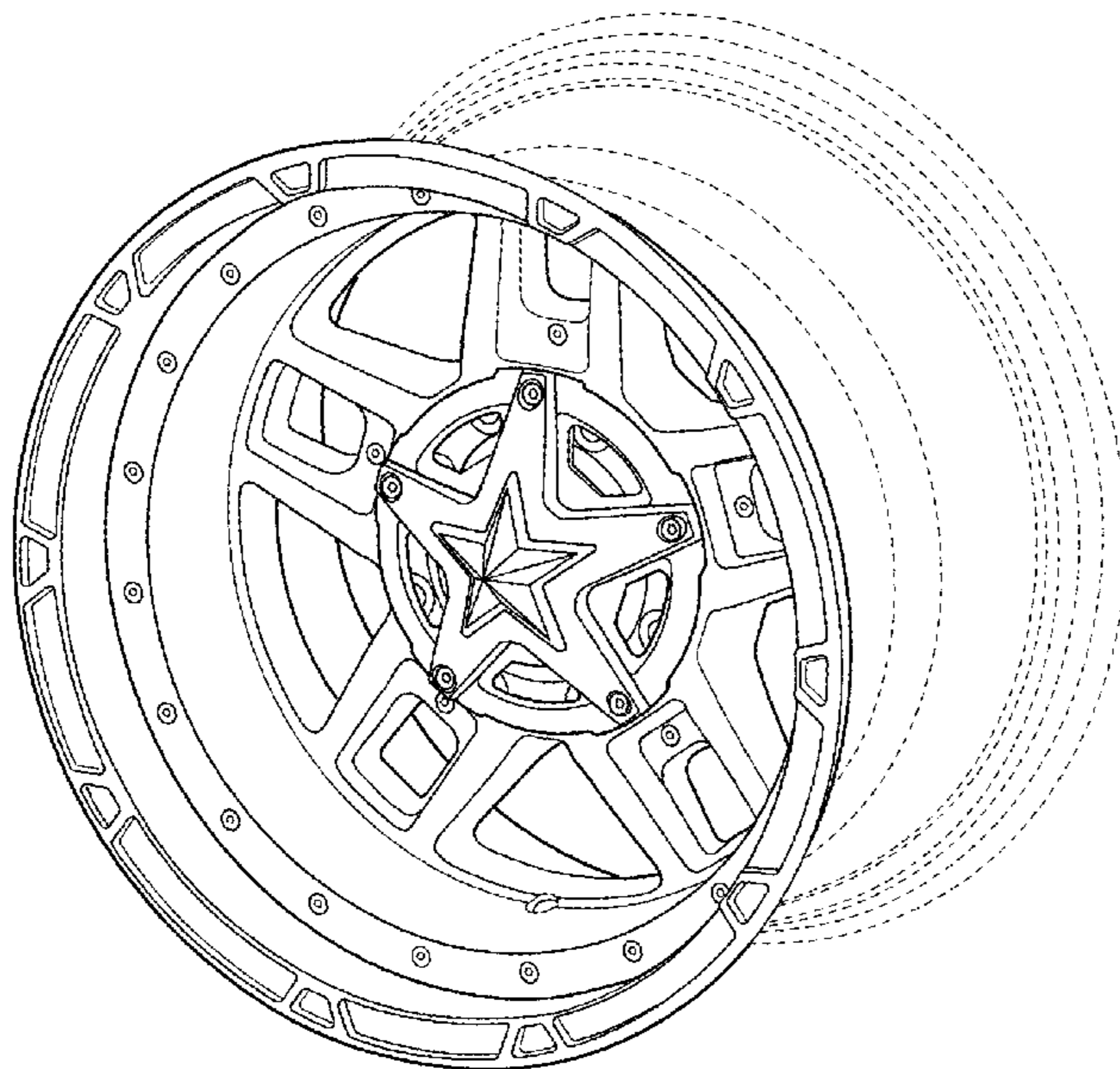
**DESCRIPTION**

FIG. 1 is a perspective view of a wheel showing my new design; and,

FIG. 2 is a front view thereof.

In the drawings, broken lines shown in the drawings depict environmental subject matter only and form no part of the claimed design.

**1 Claim, 2 Drawing Sheets**



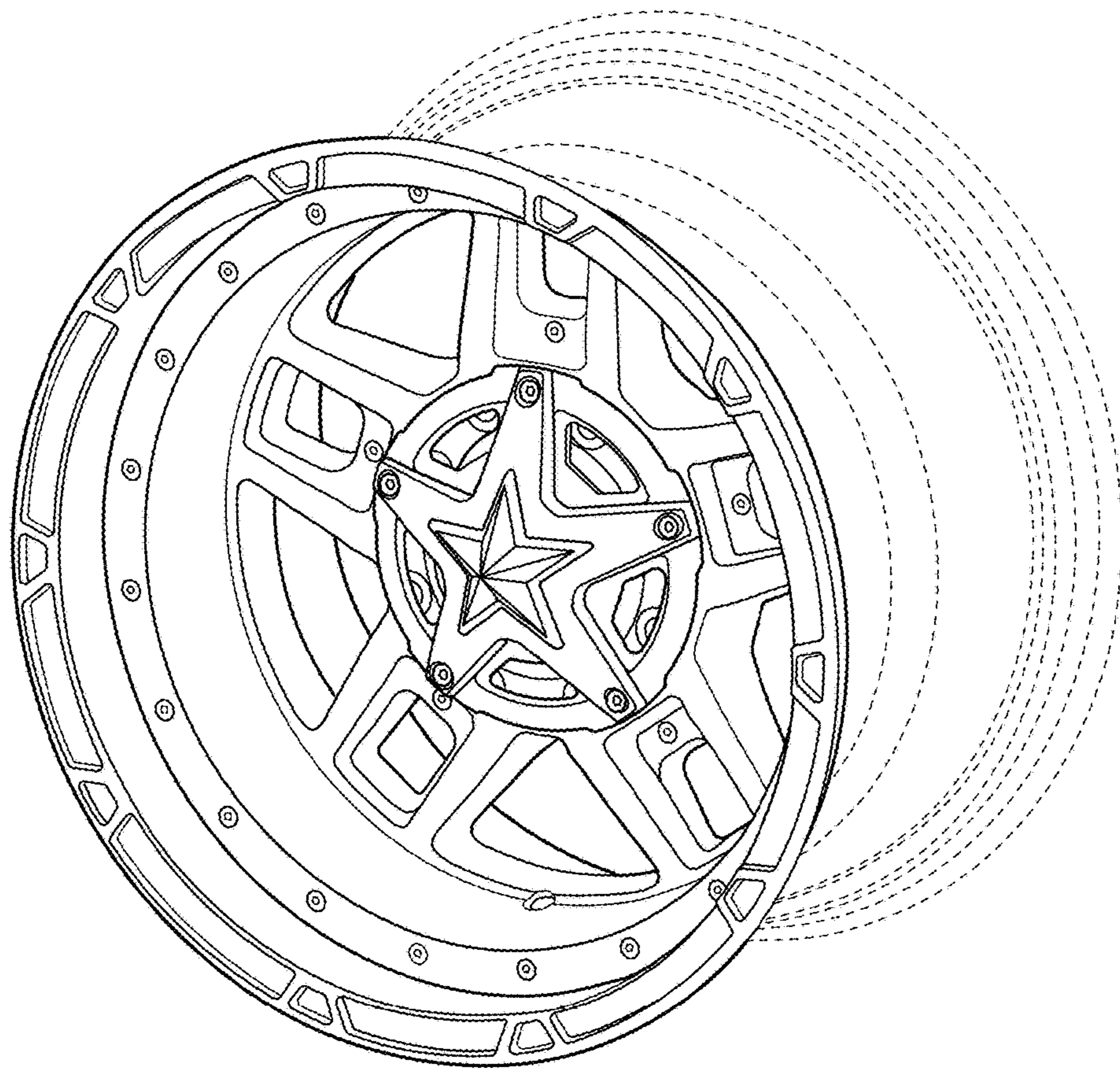


Figure 1



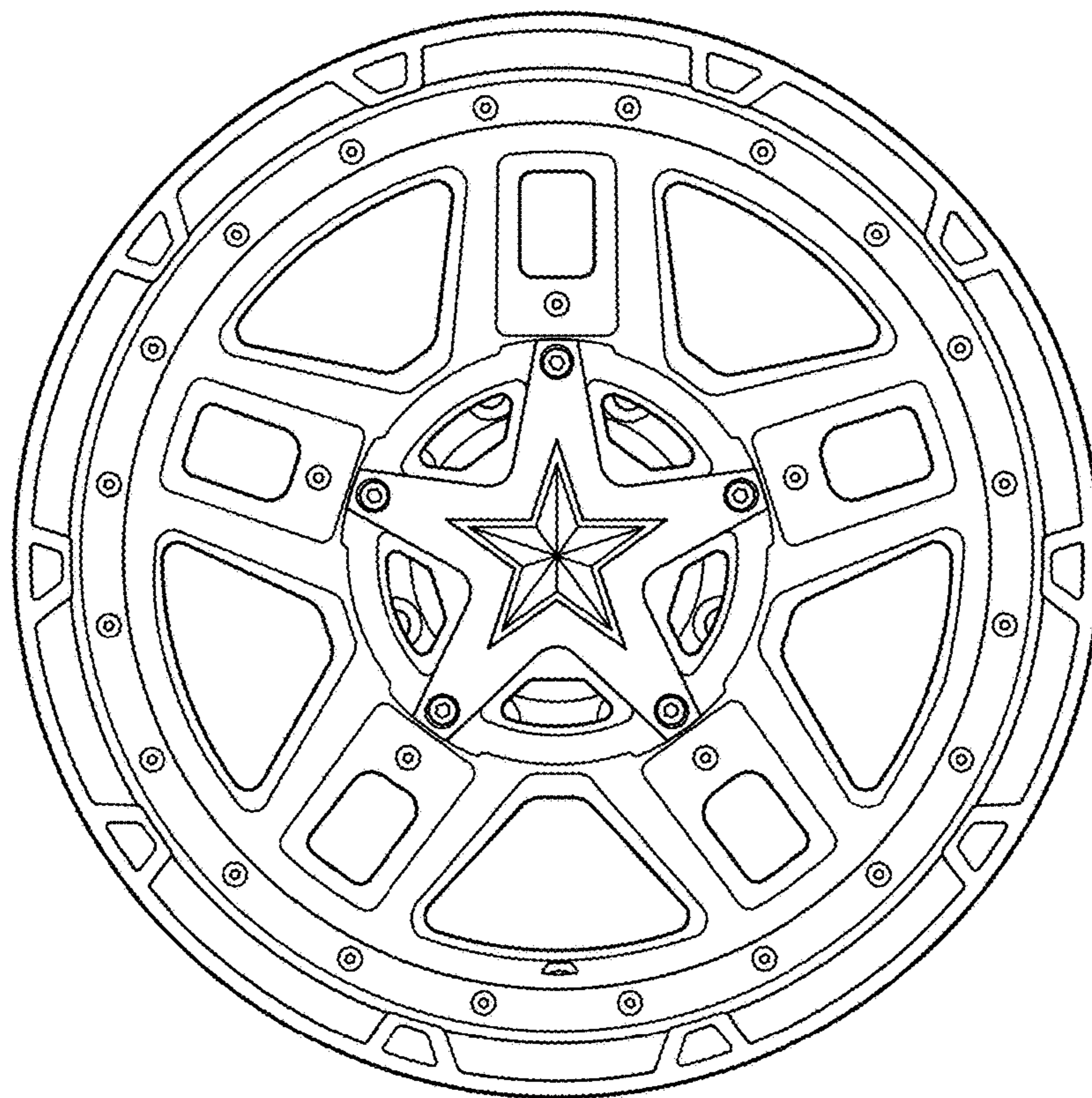


Figure 2