



US00D811979S

(12) **United States Design Patent**
Svensson et al.

(10) **Patent No.:** **US D811,979 S**

(45) **Date of Patent:** **** Mar. 6, 2018**

(54) **VEHICLE WHEEL**

(71) Applicant: **Ford Global Technologies, LLC**,
Dearborn, MI (US)

(72) Inventors: **Christopher Svensson**, Chelmsford
(GB); **Craig S. Metros**, Bloomfield, MI
(US); **Darrell Paul Behmer**, Novi, MI
(US); **Eric Stoddard**, Birmingham, MI
(US)

(73) Assignee: **Ford Global Technologies, LLC**,
Dearborn, MI (US)

(**) Term: **15 Years**

(21) Appl. No.: **29/549,477**

(22) Filed: **Dec. 22, 2015**

(51) **LOC (11) Cl.** **12-16**

(52) **U.S. Cl.**
USPC **D12/211**

(58) **Field of Classification Search**
USPC D12/204–213
CPC B60B 7/00; B60B 7/02; B60B 7/04; B60B
7/01; B60B 7/06; B60B 3/02; B60B 3/04;
B60B 3/06; B60B 3/10; B60B 1/00;
B60B 1/08; B60B 1/10; B60B 1/12

See application file for complete search history.

(56) **References Cited**

U.S. PATENT DOCUMENTS

D402,251 S	*	12/1998	Timm	D12/211
D506,717 S	*	6/2005	Gallert	D12/209
D539,204 S	*	3/2007	Pollmann	D12/209
D542,728 S	*	5/2007	Ichinose	D12/211
D558,118 S	*	12/2007	Hueller	D12/211
D581,853 S	*	12/2008	Rak	D12/211
D589,428 S	*	3/2009	Scheu	D12/211
D594,801 S	*	6/2009	Imai	D12/211
D597,919 S	*	8/2009	Atwell	D12/211

D639,714 S	*	6/2011	Baum	D12/209
D645,390 S	*	9/2011	De Bono	D12/209
D660,765 S		5/2012	Gotschke et al.		
D660,766 S		5/2012	Gotschke et al.		
D660,772 S		5/2012	Gotschke et al.		
D668,197 S		10/2012	Gotschke et al.		
D673,095 S	*	12/2012	Behmer	D12/209
D673,096 S	*	12/2012	Platto	D12/209
D688,181 S		8/2013	Gotschke et al.		
D688,182 S		8/2013	Gotschke et al.		
D688,183 S		8/2013	Gotschke et al.		
D697,004 S	*	1/2014	Pollmann	D12/209
D740,192 S	*	10/2015	Buck	D12/209
D744,402 S	*	12/2015	Watkin	D12/211
D744,925 S	*	12/2015	Wheel	D12/209
D746,751 S	*	1/2016	Wheel	D12/209
D748,034 S	*	1/2016	Hall	D12/211
D748,552 S	*	2/2016	Wagener	D12/209
D748,558 S	*	2/2016	Hans	D12/211

(Continued)

FOREIGN PATENT DOCUMENTS

DE 402012100637.1 9/2012

OTHER PUBLICATIONS

Josh Sadlier, 2017 Ford Fusion Teased in New Photos, <http://www.autotrader.com/car-news/2017-ford-fusion-teased-in-new-photos-238624> Apr. 2015.

(Continued)

Primary Examiner — George D. Kirschbaum

(74) *Attorney, Agent, or Firm* — James Dottavio

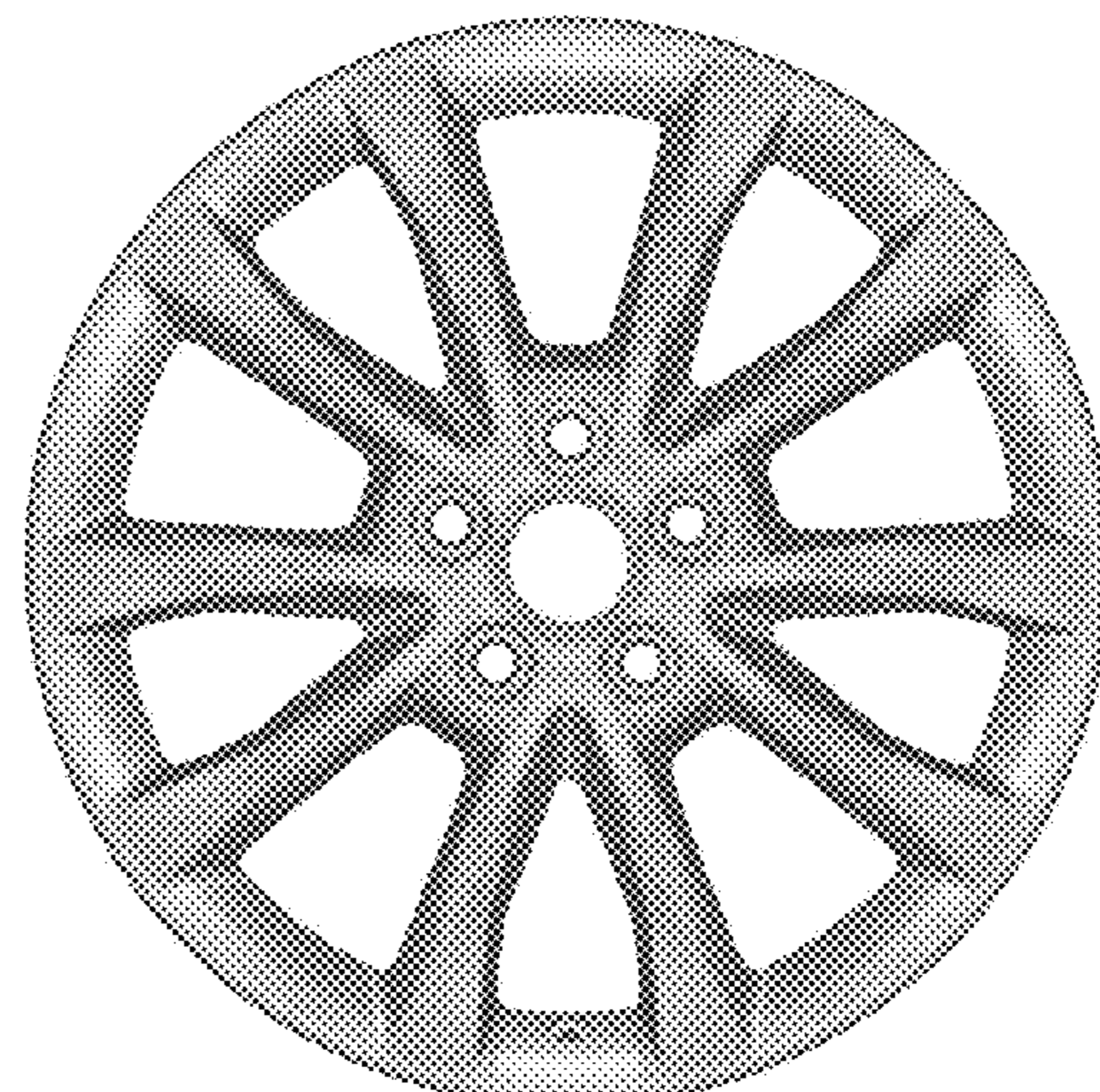
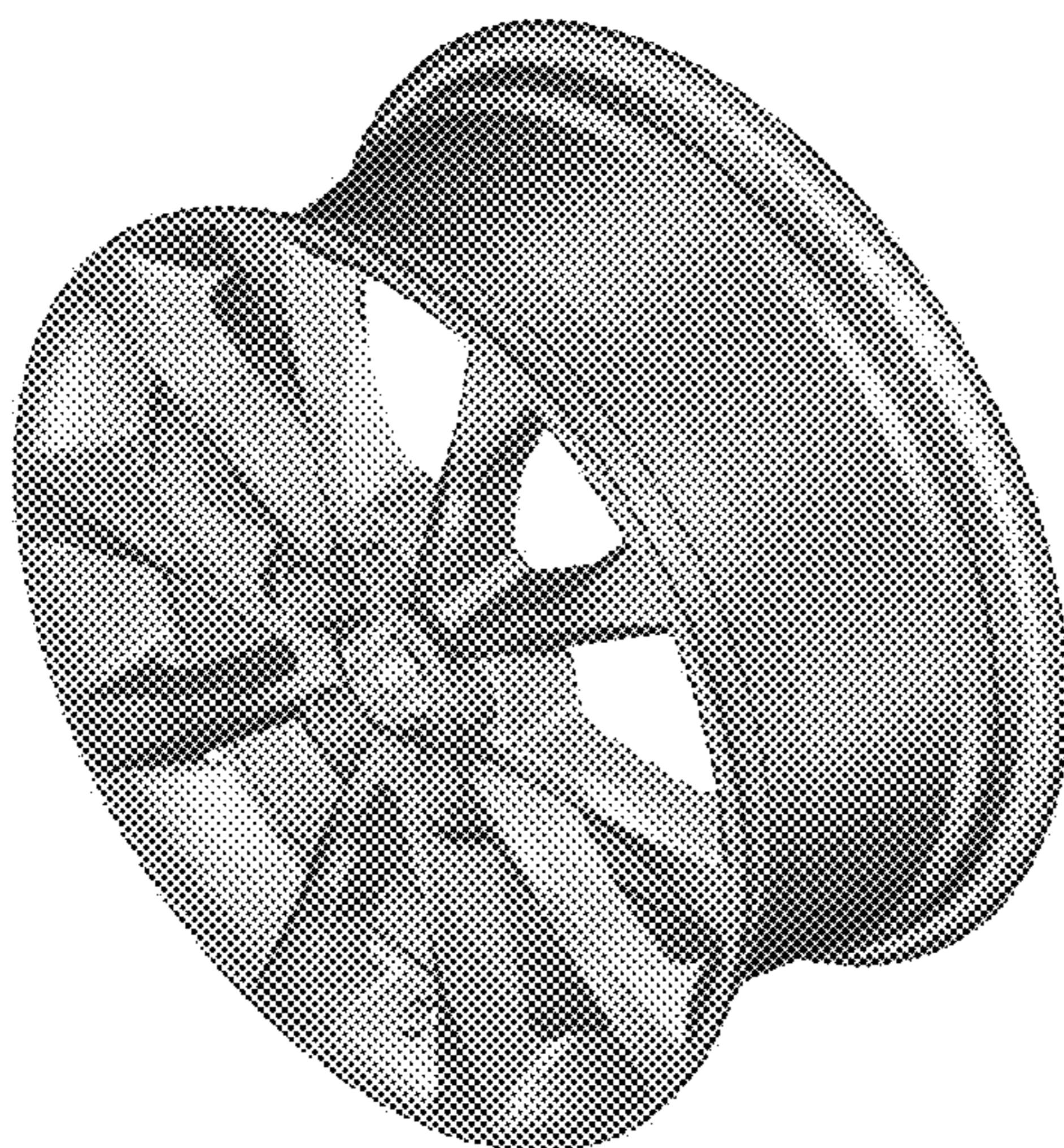
(57) **CLAIM**

The ornamental design for a vehicle wheel, as shown and described.

DESCRIPTION

FIG. 1 is a top perspective view of a vehicle wheel; and, FIG. 2 is a front elevational view thereof.

1 Claim, 2 Drawing Sheets



(56)

References Cited

U.S. PATENT DOCUMENTS

D749,029	S	*	2/2016	Wheel	D12/211
D760,143	S	*	6/2016	Gallert	D12/211
D763,760	S	*	8/2016	Gale	D12/209
D763,761	S	*	8/2016	Dionisopoulos	D12/209
D764,372	S	*	8/2016	Behmer	D12/211
D769,171	S	*	10/2016	Johnson	D12/211
D773,371	S	*	12/2016	Bucher	D12/211
D775,574	S	*	1/2017	Maher	D12/209
D776,039	S	*	1/2017	Valencia Pollex	D12/209
D780,654	S	*	3/2017	Gallert	D12/204
D784,894	S	*	4/2017	Gardavsky	D12/211

OTHER PUBLICATIONS

Ciprian Florea, 2017 Ford Fusion St, <http://www.topspeed.com/cars/ford/2017-ford-fusion-st-ar171128.html> Sep. 6, 2015.

Michael Gauthier, 2017 Ford Fusion Facelift Spied in Michigan, <http://www.motor1.com/spy/59710/2017-ford-fusion-facelift-spied-in-michigan> Nov. 19, 2015.

* cited by examiner



Fig. 1



Fig. 2