



US00D811977S

(12) **United States Design Patent**  
**Oscroft**

(10) **Patent No.:** **US D811,977 S**  
(45) **Date of Patent:** **\*\* Mar. 6, 2018**

- (54) **COMBINED UNIVERSAL WHEEL HUB ADAPTOR CUP AND WHEEL CENTRE**
- (71) Applicant: **Christopher Oscroft**, Warwickshire (GB)
- (72) Inventor: **Christopher Oscroft**, Warwickshire (GB)
- (\*\*) Term: **14 Years**
- (21) Appl. No.: **29/525,668**
- (22) Filed: **May 1, 2015**
- (51) **LOC (11) Cl.** ..... **12-16**
- (52) **U.S. Cl.**  
USPC ..... **D12/210**
- (58) **Field of Classification Search**  
USPC ..... D12/204–213; 280/250.1, 279; 301/59, 301/110.5, 108.5, 35.631, 35.629, 111.04; 384/545  
CPC .... B60B 7/00; B60B 7/02; B60B 7/04; B60B 7/01; B60B 7/06; B60B 3/02; B60B 3/04; B60B 3/06; B60B 3/10; B60B 1/00; B60B 1/08; B60B 1/10; B60B 1/12; B60B 27/02; B60B 27/0052; B60B 27/0078; B60B 27/026; B60B 27/0057; B60B 1/042; B60B 3/14; B60B 3/16; B60B 3/147; B60B 11/02; B62K 25/02  
See application file for complete search history.

- (56) **References Cited**  
U.S. PATENT DOCUMENTS  
D103,687 S \* 3/1937 Pattison ..... D12/210  
D196,789 S \* 11/1963 Pyshe ..... D12/210  
3,820,851 A \* 6/1974 Longo et al. .... B60B 3/14  
301/35.629  
4,036,530 A \* 7/1977 Reppert ..... B60B 3/14  
301/35.631

- 4,165,904 A \* 8/1979 Reppert ..... B60B 3/14  
301/35.629
- 4,261,621 A \* 4/1981 Fox ..... B60B 11/02  
301/35.628
- D284,753 S \* 7/1986 Hedlund ..... D12/210
- 4,718,732 A \* 1/1988 Osborne ..... B60B 3/147  
301/128
- D359,021 S \* 6/1995 Snook ..... D12/207
- 5,785,391 A \* 7/1998 Parry ..... B60B 3/147  
301/111.04
- D431,513 S \* 10/2000 Lovitt, Jr. .... D12/207
- 6,238,009 B1 \* 5/2001 Lovitt, Jr. .... B60B 3/147  
301/35.629
- D443,577 S \* 6/2001 Lovitt, Jr. .... D12/207
- D443,578 S \* 6/2001 Lovitt, Jr. .... D12/207
- D445,077 S \* 7/2001 Lovitt, Jr. .... D12/207
- D492,923 S \* 7/2004 Whitehead ..... D12/204
- D504,377 S \* 4/2005 Caudill ..... D12/207
- D504,378 S \* 4/2005 Grossenbacher ..... D12/209
- D519,433 S \* 4/2006 Finn ..... D12/210

(Continued)

*Primary Examiner* — George D. Kirschbaum

(57) **CLAIM**

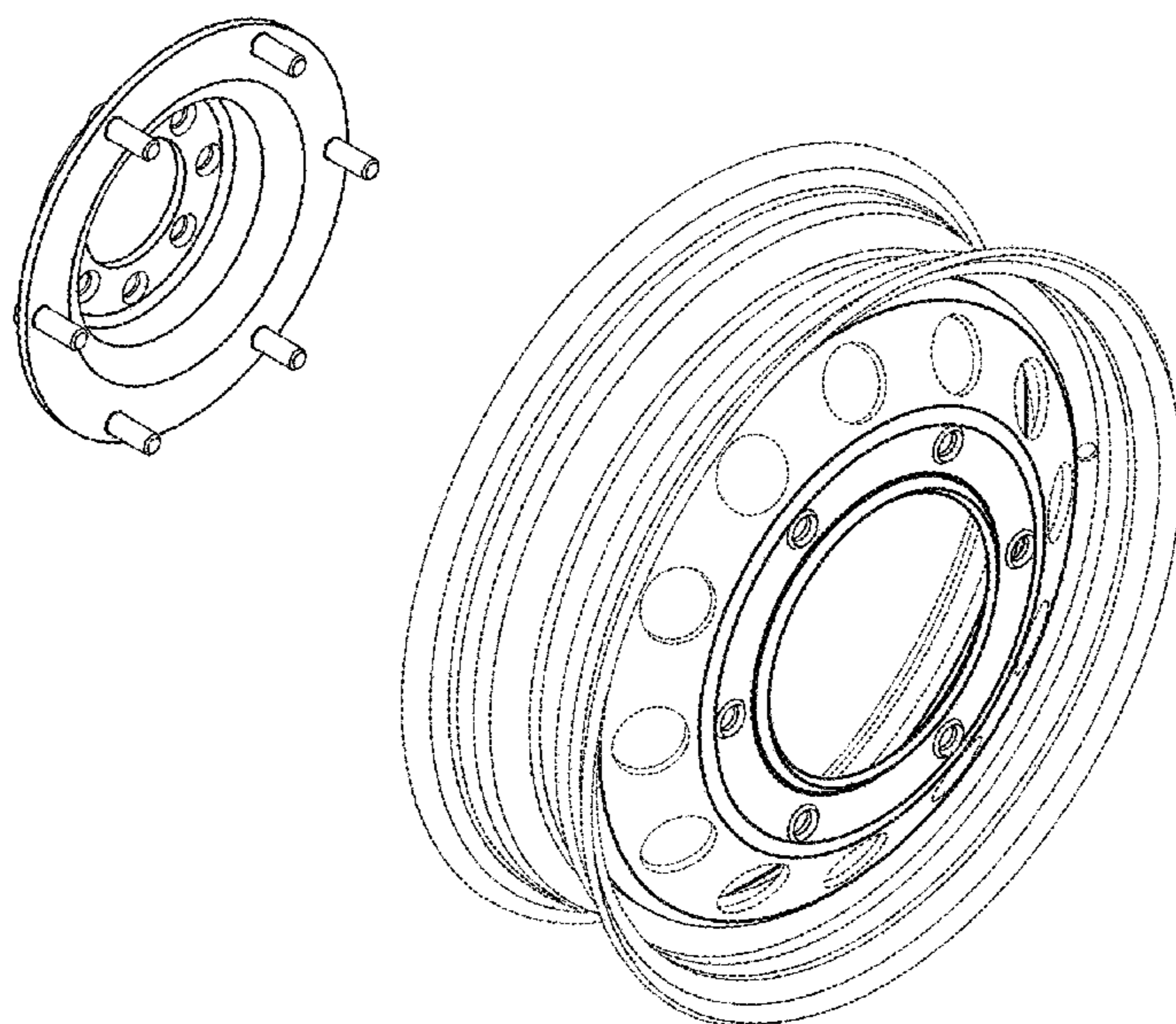
The ornamental design for a combined universal wheel hub adaptor cup and wheel centre, as shown and described.

**DESCRIPTION**

FIG. 1 is an exploded view of a combined universal wheel hub adaptor cup and wheel centre showing my new design; FIG. 2 is another exploded view thereof; FIG. 3 is a front elevational view thereof, showing the universal wheel hub adaptor cup attached to the wheel centre; and, FIG. 4 is a rear elevational view thereof, showing the universal wheel hub adaptor cup attached to the wheel centre.

In the drawings, the broken lines depict environmental subject matter only and form no part of the claimed design.

**1 Claim, 4 Drawing Sheets**



(56)

**References Cited**

U.S. PATENT DOCUMENTS

D598,835 S	*	8/2009	DeGeorge .....	D12/209
D612,316 S	*	3/2010	Sanschagrin .....	D12/210
D659,624 S	*	5/2012	Farradas .....	D12/207

\* cited by examiner

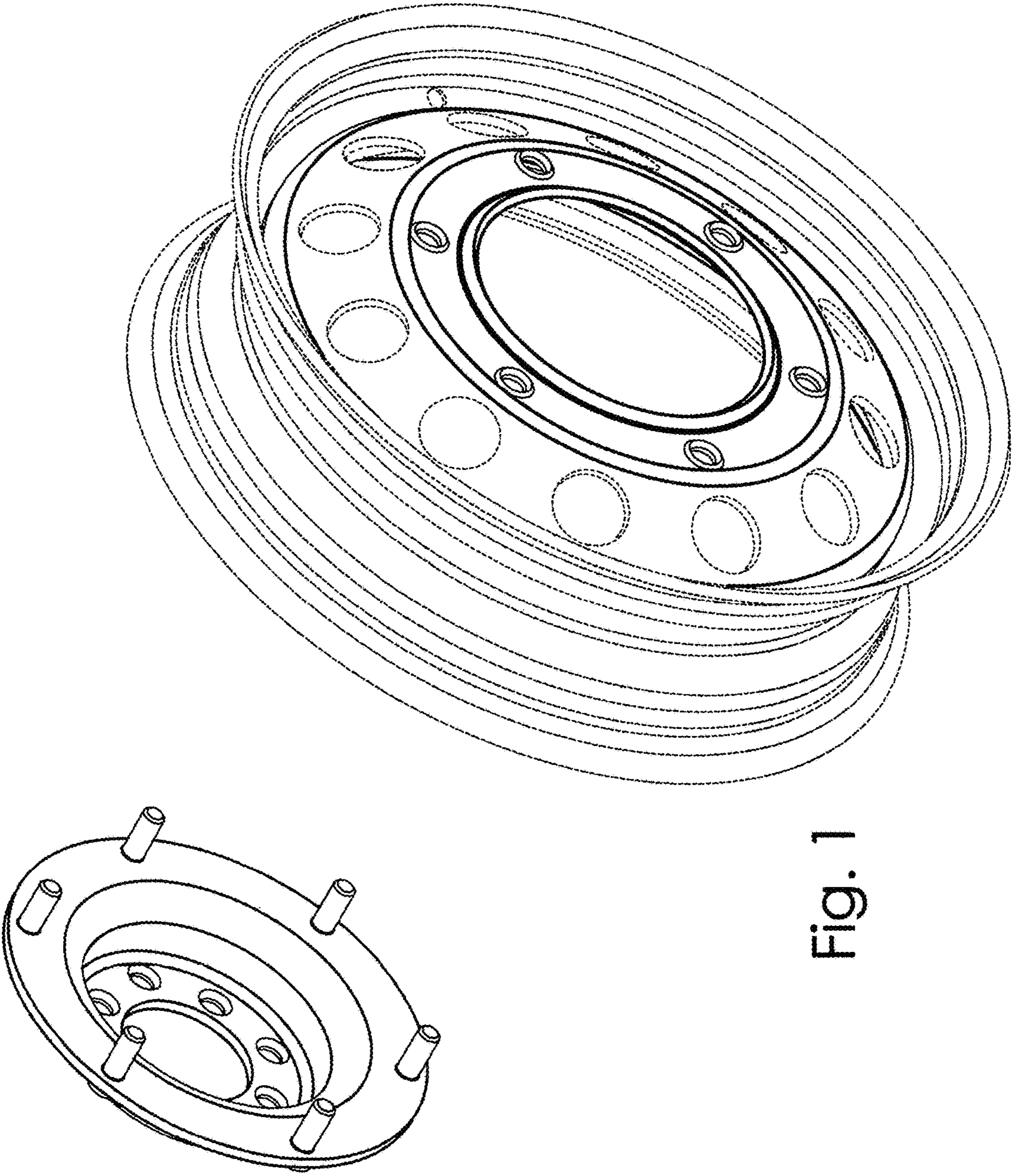


Fig. 1

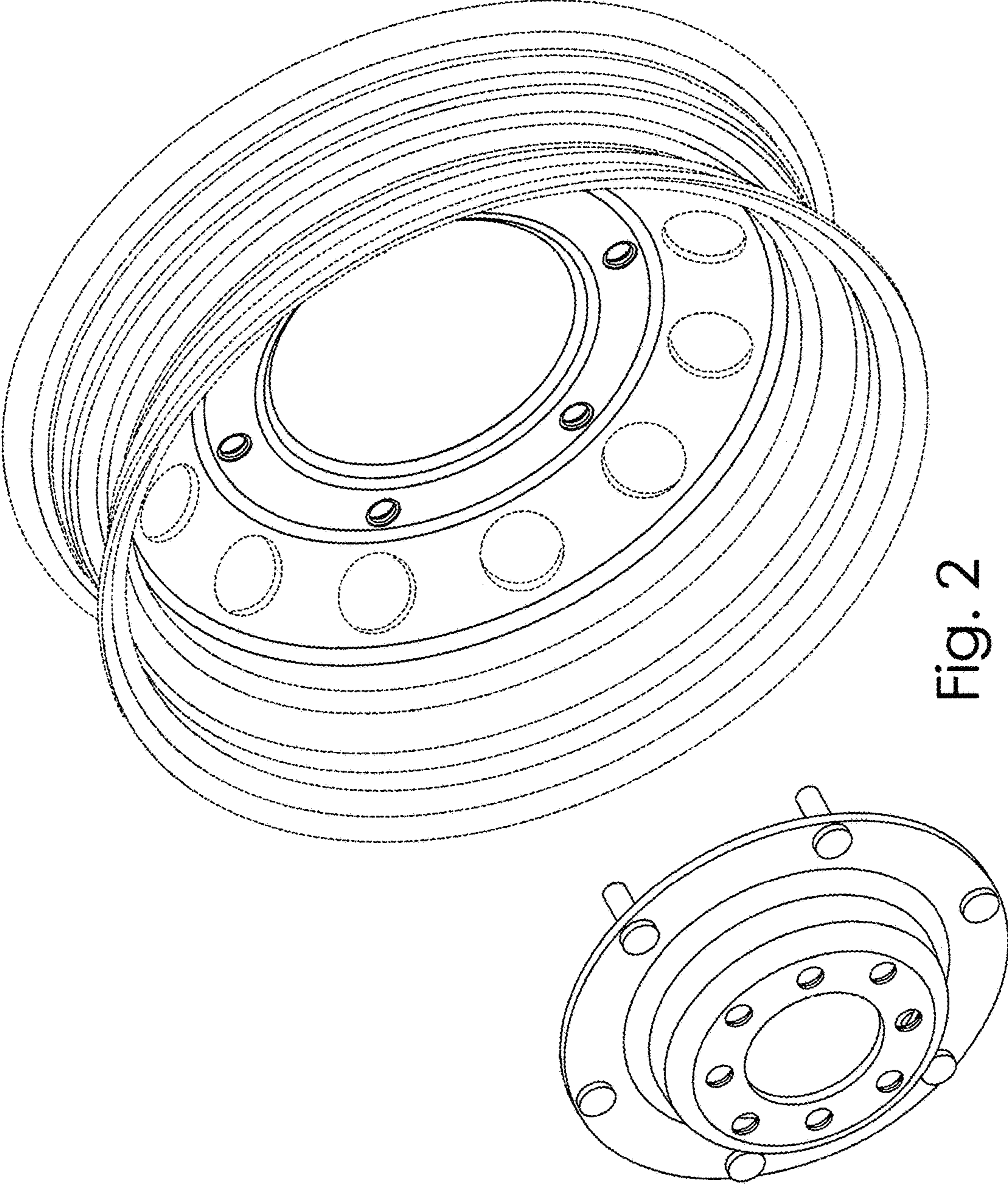


Fig. 2

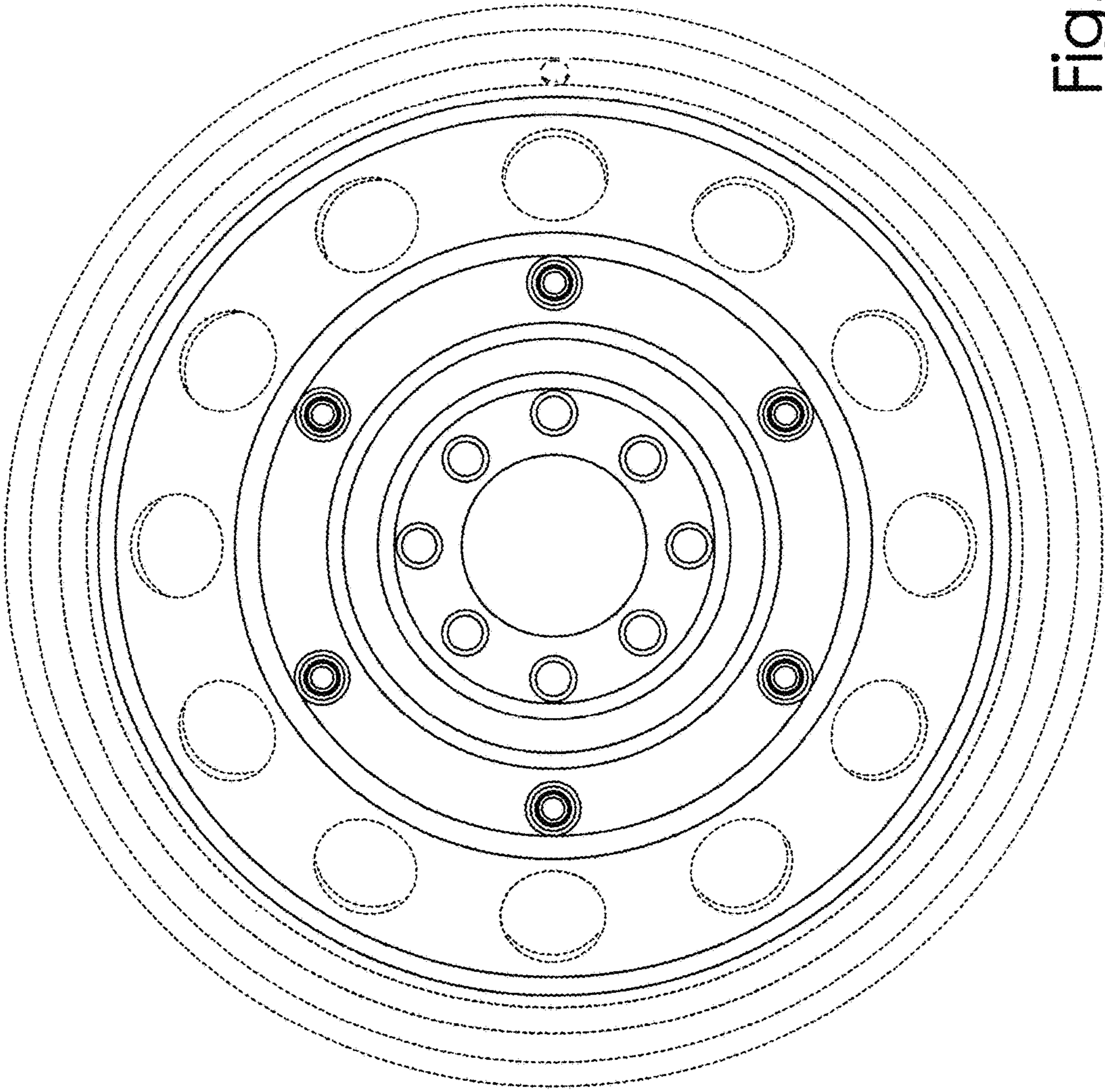


Fig. 3

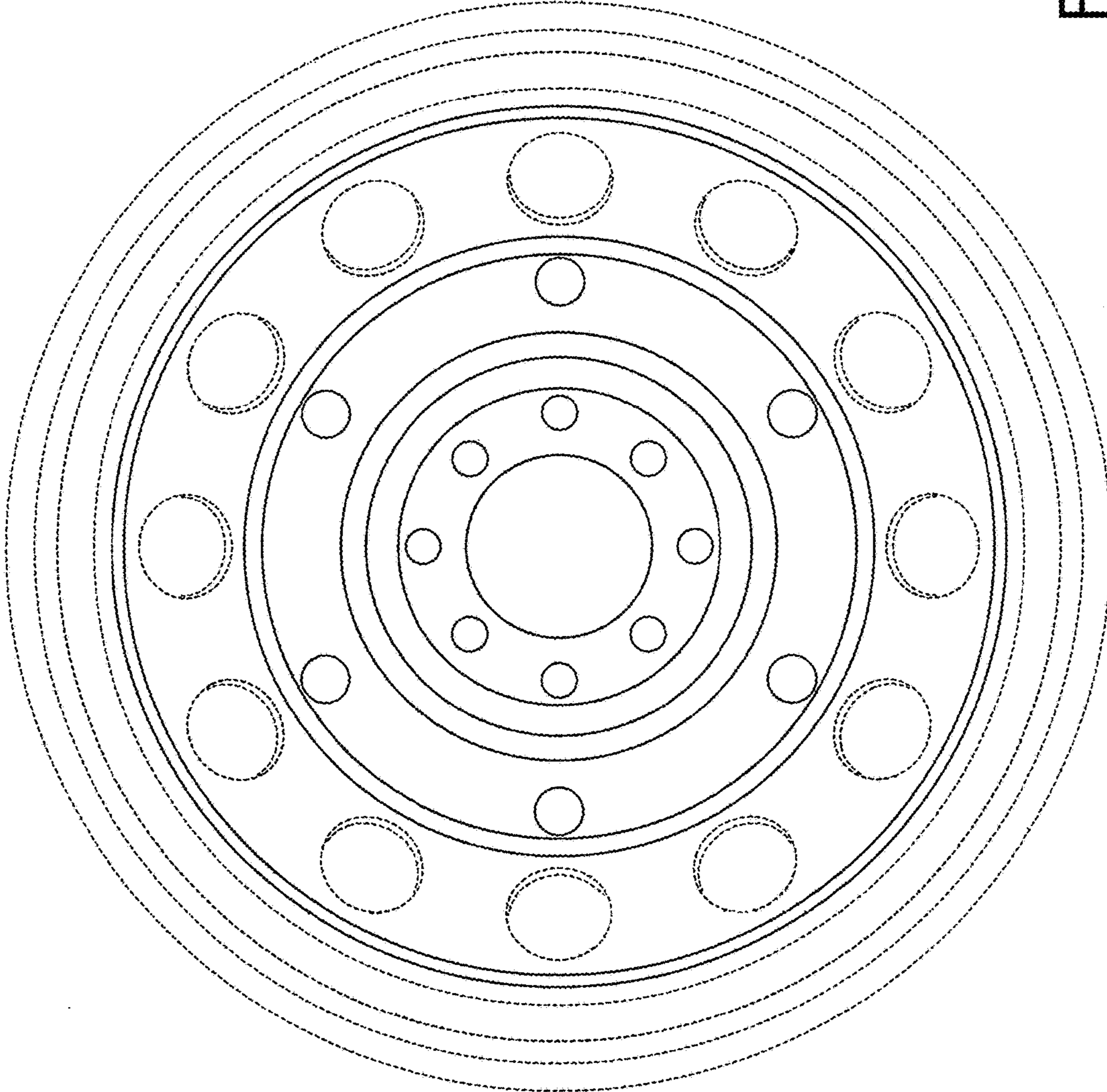


Fig. 4