



US00D811975S

(12) **United States Design Patent**
Guo

(10) **Patent No.:** **US D811,975 S**
(45) **Date of Patent:** **** Mar. 6, 2018**

- (54) **AUTOMOBILE STEPPING BAR**
- (71) Applicant: **Fu Guo**, Vancouver (CA)
- (72) Inventor: **Yonghui Guo**, Taiyuan (CN)
- (**) Term: **15 Years**
- (21) Appl. No.: **29/594,080**
- (22) Filed: **Feb. 15, 2017**
- (51) **LOC (11) Cl.** **12-16**
- (52) **U.S. Cl.**
USPC **D12/203**
- (58) **Field of Classification Search**
USPC D12/203, 162, 89, 190
CPC .. B60R 3/002; B60R 3/02; B60R 3/00; B60R
3/005; B60R 3/007
See application file for complete search history.

D731,384 S *	6/2015	Farr	D12/203
D737,188 S *	8/2015	Perkins	D12/203
D739,322 S *	9/2015	Villareal	D12/203
D766,797 S *	9/2016	Li	D12/203
2011/0266766 A1 *	11/2011	Huang-Tsai	B60R 3/00 280/169

* cited by examiner

Primary Examiner — George D. Kirschbaum
Assistant Examiner — Clese Moore, Jr.

(56) **References Cited**

U.S. PATENT DOCUMENTS

D436,336 S *	1/2001	Sadr	D12/203
D495,283 S *	8/2004	Ashley	D12/203
D568,221 S *	5/2008	Cord	D12/203
D568,222 S *	5/2008	Storer	D12/203
D596,097 S *	7/2009	Huang-Tsai	D12/203
D596,098 S *	7/2009	Huang-Tsai	D12/203
D658,559 S *	5/2012	Hodges	D12/203
D662,867 S *	7/2012	Neal	D12/203
D665,713 S *	8/2012	Pochurek	D12/203
D671,874 S *	12/2012	Kekich, Jr.	D12/203

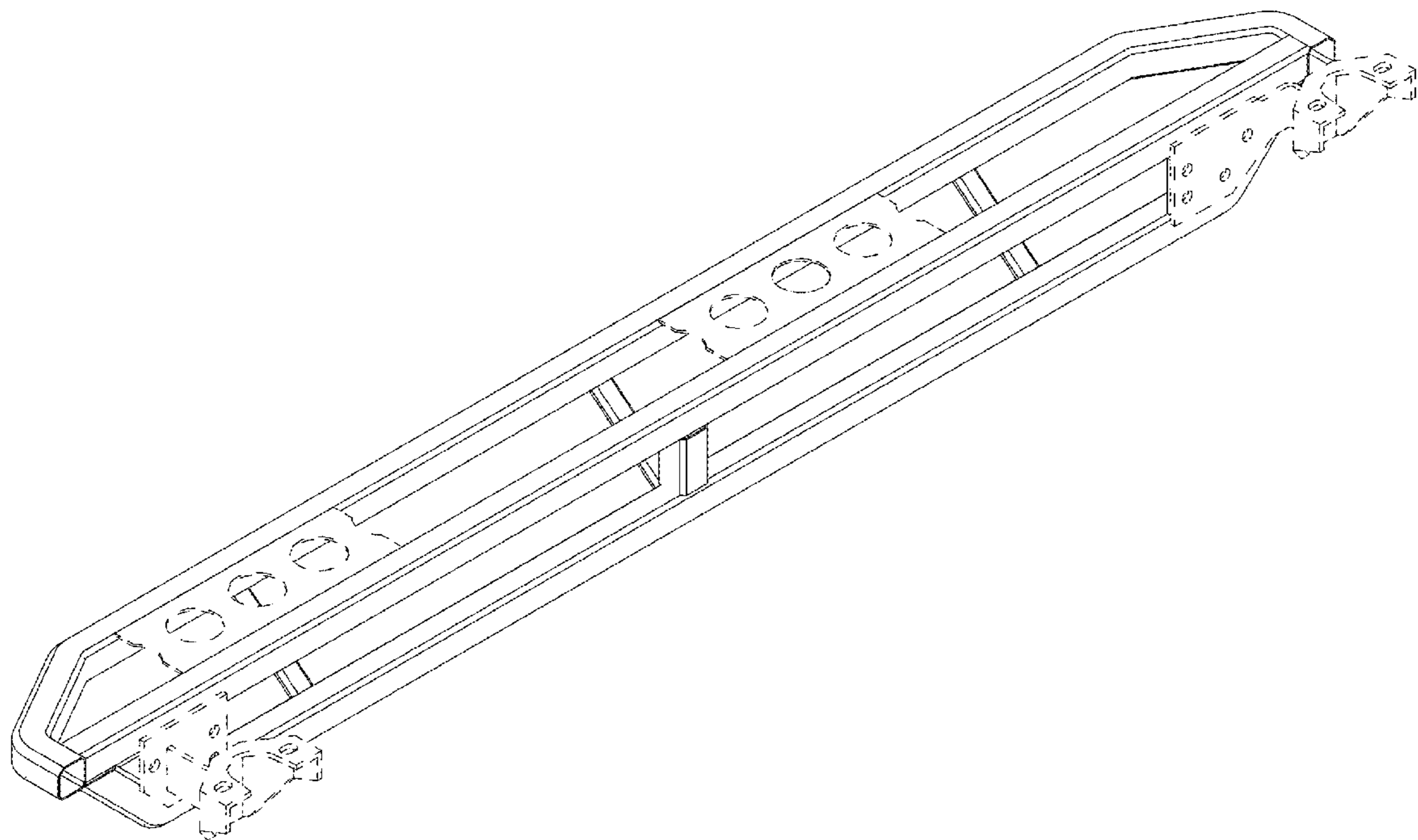
(57) **CLAIM**

The ornamental design for an automobile stepping bar, as shown and described.

DESCRIPTION

FIG. 1 is a perspective view of an automobile stepping bar showing the new design;
 FIG. 2 is a top plan view thereof;
 FIG. 3 is a bottom plan view thereof;
 FIG. 4 is a rear elevation view thereof;
 FIG. 5 is a front elevation view thereof;
 FIG. 6 is a left side view thereof; and,
 FIG. 7 is a right side view thereof.
 The portions of the automobile stepping bar shown in broken lines form no part of the claimed design.

1 Claim, 7 Drawing Sheets



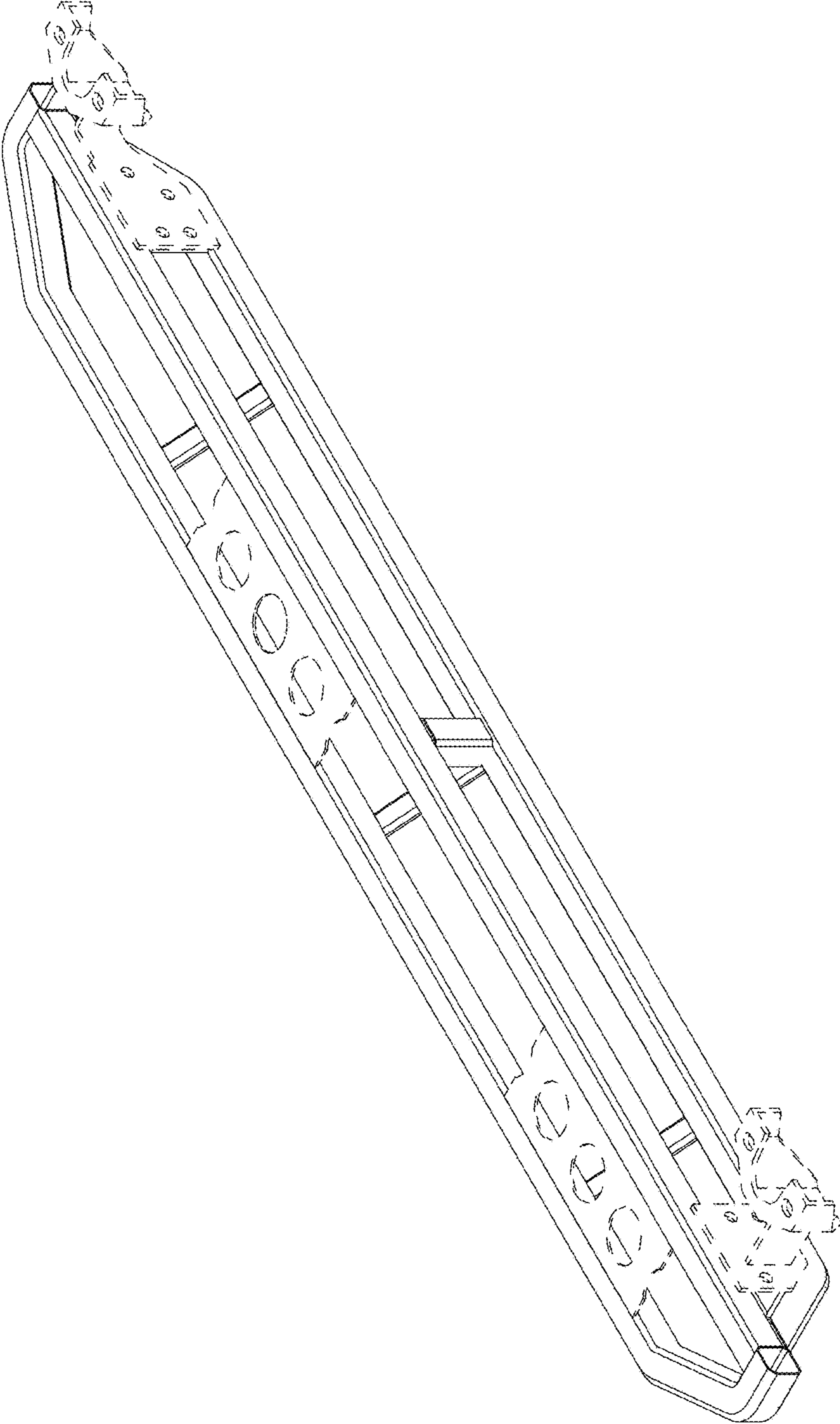


FIG. 1

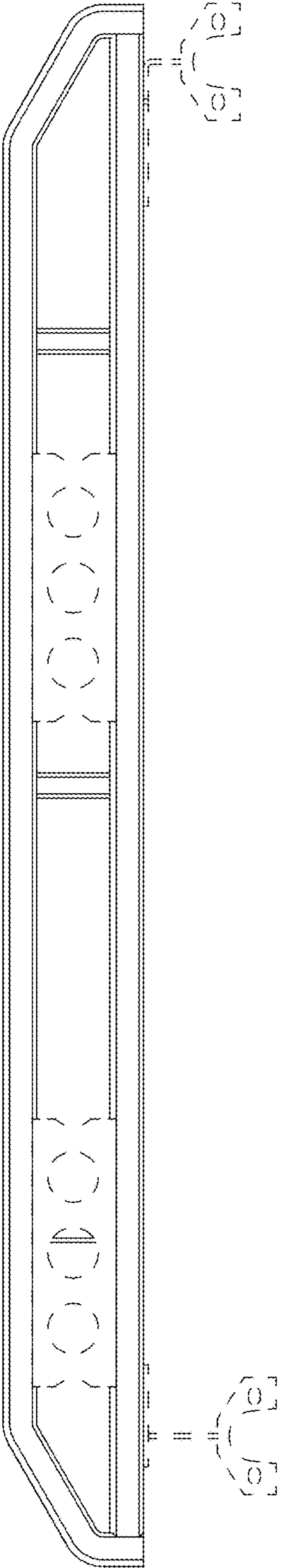


FIG. 2

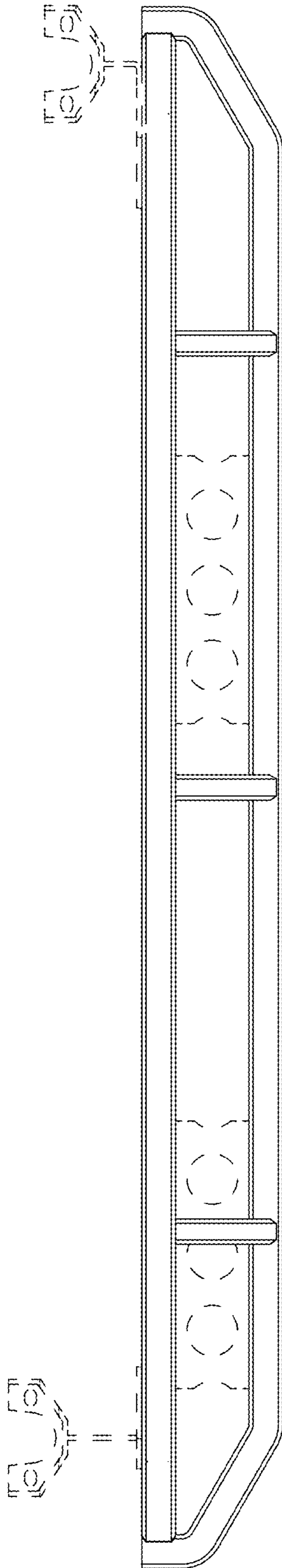


FIG. 3

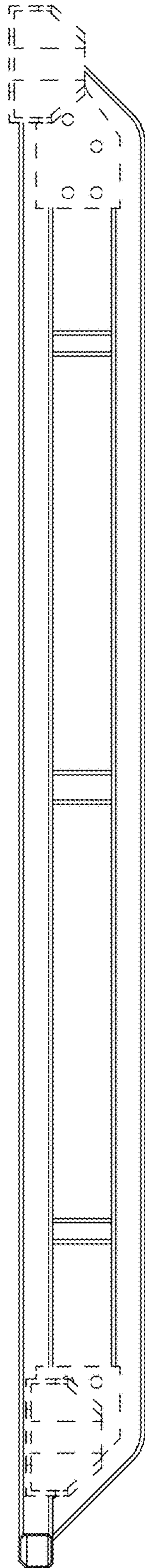


FIG. 4

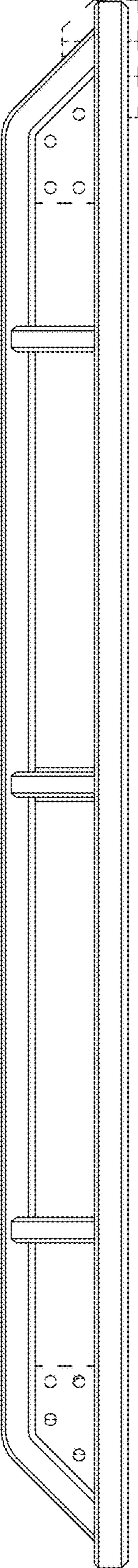


FIG. 5

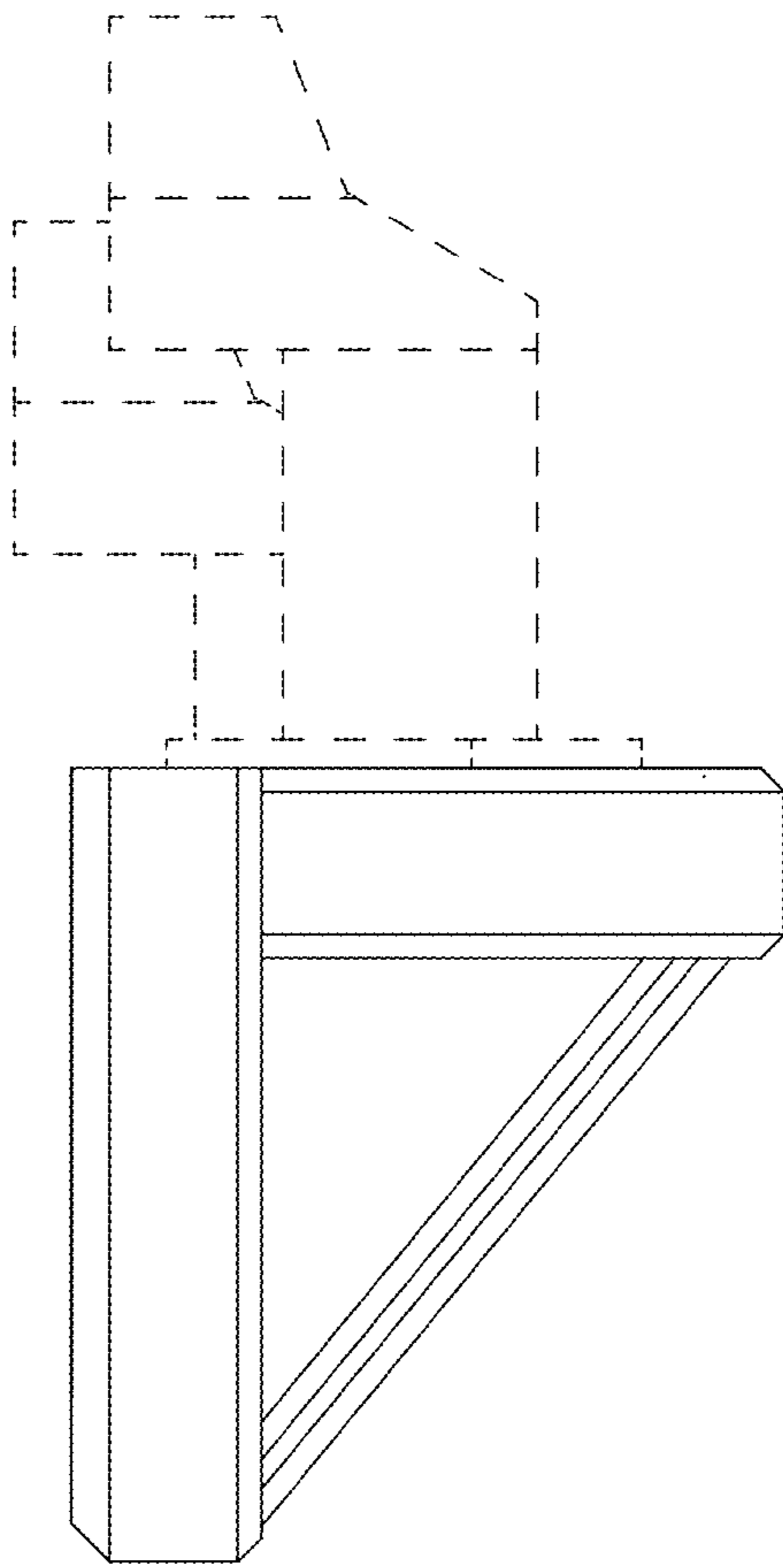


FIG. 6

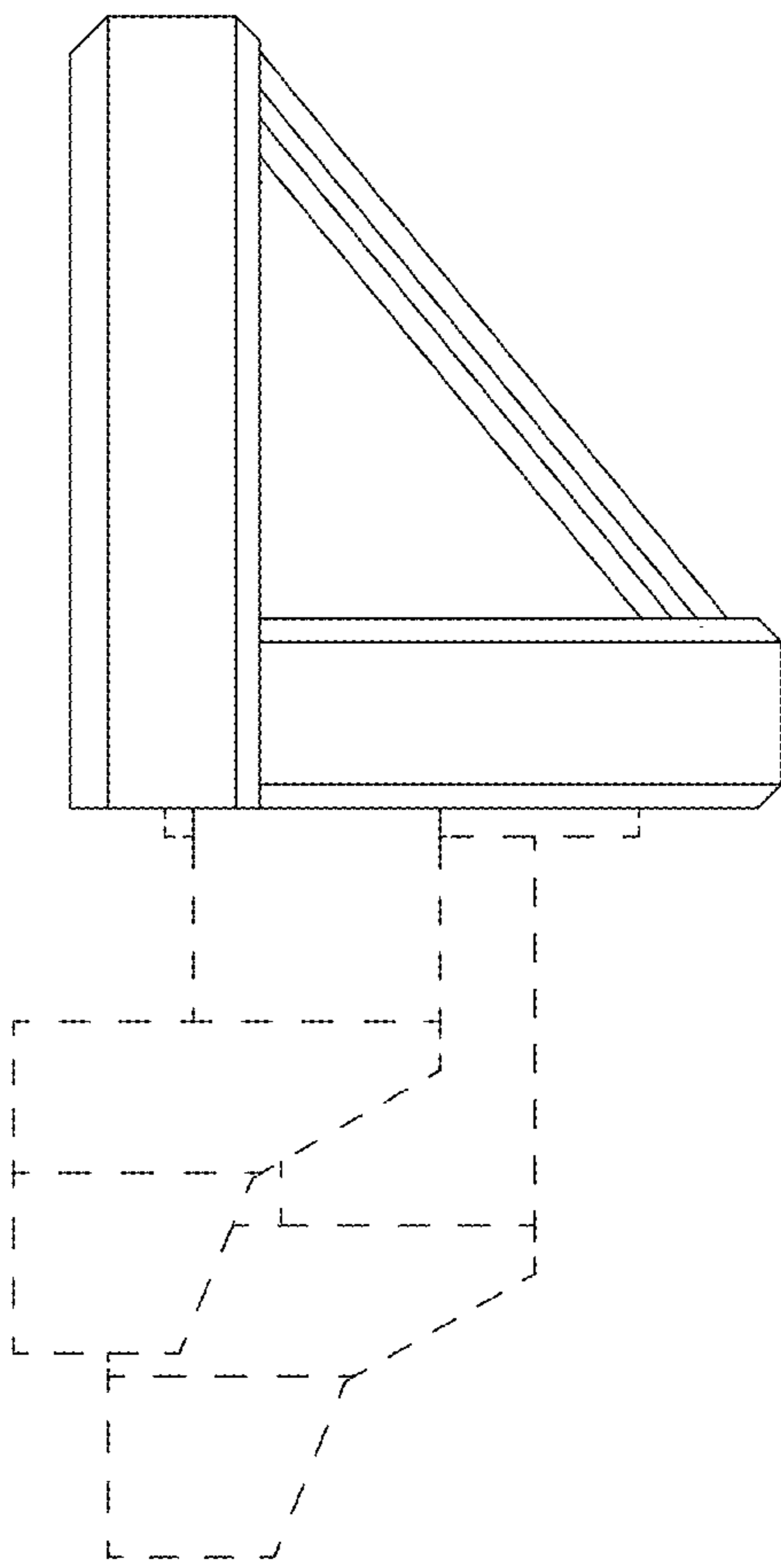


FIG. 7