



US00D811974S

(12) **United States Design Patent**  
**Guo**

(10) **Patent No.:** **US D811,974 S**

(45) **Date of Patent:** **\*\* Mar. 6, 2018**

- (54) **AUTOMOBILE STEPPING BAR**
- (71) Applicant: **Fu Guo**, Vancouver, CA (US)
- (72) Inventor: **Yonghui Guo**, Taiyuan (CN)
- (\*\*) Term: **15 Years**
- (21) Appl. No.: **29/594,074**
- (22) Filed: **Feb. 15, 2017**
- (51) **LOC (11) Cl.** ..... **12-16**
- (52) **U.S. Cl.**  
USPC ..... **D12/203**
- (58) **Field of Classification Search**  
USPC ..... D12/203, 162, 89, 190  
CPC .. B60R 3/002; B60R 3/02; B60R 3/00; B60R  
3/005; B60R 3/007  
See application file for complete search history.

- D399,178 S \* 10/1998 Thomas, Jr. .... D12/203
- D400,149 S \* 10/1998 Zentner ..... D12/203
- D400,151 S \* 10/1998 Zentner ..... D12/203
- D400,485 S \* 11/1998 Zentner ..... D12/203
- D400,486 S \* 11/1998 Zentner ..... D12/203
- D402,611 S \* 12/1998 Thomas, Jr. .... D12/203
- D434,711 S \* 12/2000 McQuiston ..... D12/203
- D436,336 S \* 1/2001 Sadr ..... D12/203
- 6,382,819 B1 \* 5/2002 McQuiston ..... B60Q 1/323  
362/487
- D473,178 S \* 4/2003 Schumacher ..... D12/203
- D488,759 S \* 4/2004 Hattori ..... D12/203
- D494,914 S \* 8/2004 Elwell ..... D12/203
- D495,283 S \* 8/2004 Ashley ..... D12/203
- D495,646 S \* 9/2004 Elwell ..... D12/203
- D496,898 S \* 10/2004 Metros ..... D12/203
- D497,338 S \* 10/2004 Metros ..... D12/203
- D505,901 S \* 6/2005 Wang ..... D12/203
- D513,398 S \* 1/2006 Kozak ..... D12/203
- D513,725 S \* 1/2006 Metros ..... D12/203

(Continued)

*Primary Examiner* — George D. Kirschbaum

*Assistant Examiner* — Clese Moore, Jr.

(56) **References Cited**

U.S. PATENT DOCUMENTS

- D249,501 S \* 9/1978 Chapman ..... D12/203
- D258,128 S \* 2/1981 Baker ..... D12/203
- D278,329 S \* 4/1985 Baker ..... D12/203
- D284,752 S \* 7/1986 Horton, Jr. .... D12/203
- D297,135 S \* 8/1988 Davenport ..... D12/203
- D297,230 S \* 8/1988 Huff ..... D12/203
- D302,967 S \* 8/1989 Bowdoin ..... D12/203
- D330,536 S \* 10/1992 Holloway ..... D12/203
- D340,905 S \* 11/1993 Orth, Sr. .... D12/203
- D342,476 S \* 12/1993 Beckett ..... D12/203
- D349,678 S \* 8/1994 Waddington ..... D12/203
- D349,679 S \* 8/1994 Waddington ..... D12/203
- D351,128 S \* 10/1994 Waddington ..... D12/203
- 5,382,035 A \* 1/1995 Waddington ..... B60R 3/002  
280/169
- D361,973 S \* 9/1995 Hornik ..... D12/203
- D379,079 S \* 5/1997 Thomas, Jr. .... D12/203
- D395,267 S \* 6/1998 Thompson ..... D12/203
- D395,630 S \* 6/1998 Stanesic ..... D12/203
- D397,980 S \* 9/1998 Thompson ..... D12/203

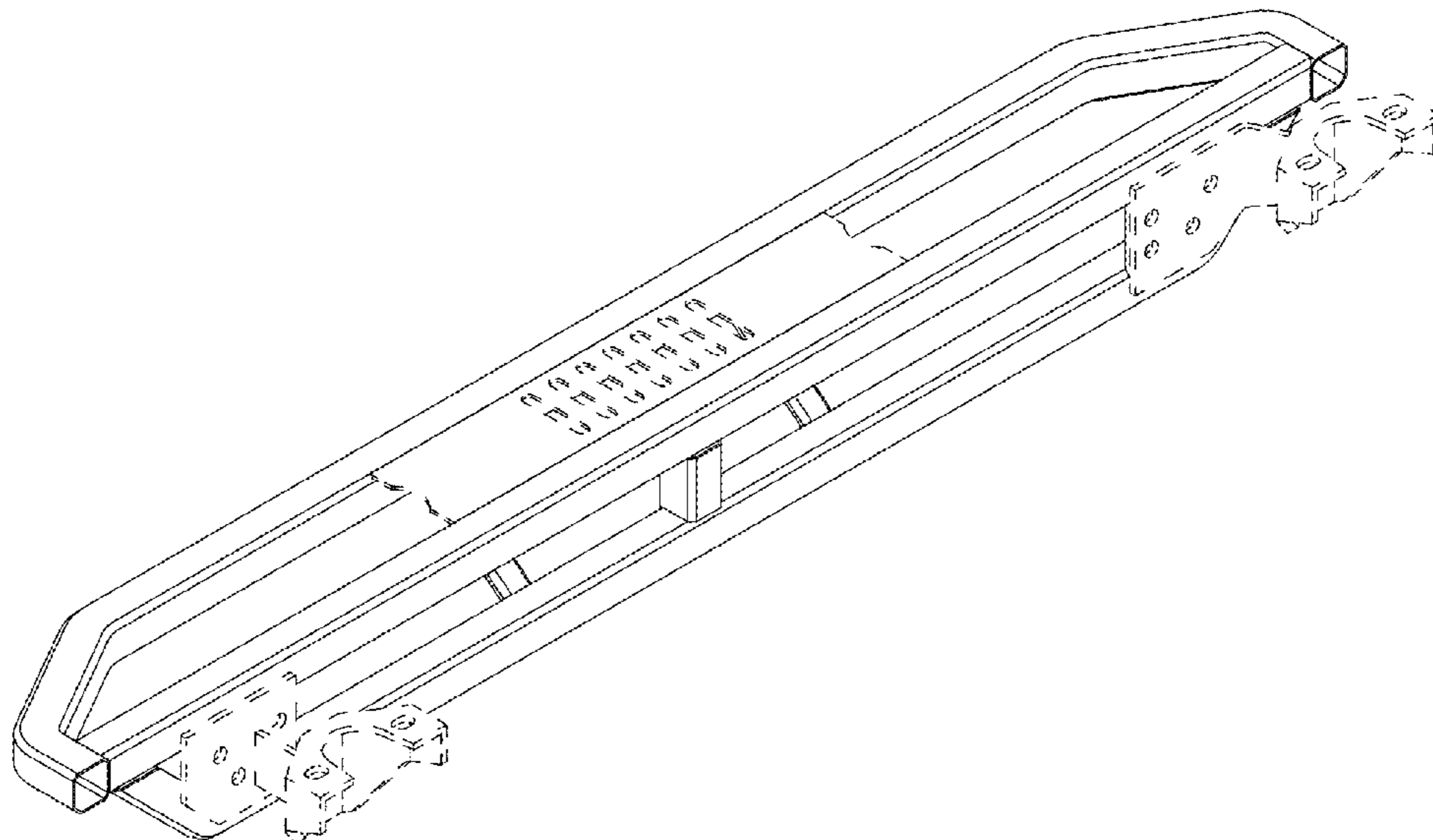
(57) **CLAIM**

The ornamental design for an automobile stepping bar, as shown and described.

**DESCRIPTION**

FIG. 1 is a perspective view of an automobile stepping bar showing the new design;  
 FIG. 2 is a top plan view thereof;  
 FIG. 3 is a bottom plan view thereof;  
 FIG. 4 is a front elevation view thereof;  
 FIG. 5 is a rear elevation view thereof;  
 FIG. 6 is a left side view thereof; and,  
 FIG. 7 is a right side view thereof.  
 The portions of the automobile stepping bar shown in broken lines form no part of the claimed design.

**1 Claim, 7 Drawing Sheets**



(56)

References Cited

U.S. PATENT DOCUMENTS

D514,492	S *	2/2006	Metros .....	D12/203
D535,928	S *	1/2007	Crandall .....	D12/203
D546,259	S *	7/2007	Metros .....	D12/203
D559,755	S *	1/2008	Ito .....	D12/203
D567,729	S *	4/2008	Crandall .....	D12/203
D568,221	S *	5/2008	Cord .....	D12/203
D568,222	S *	5/2008	Storer .....	D12/203
D588,514	S *	3/2009	Kudelko .....	D12/203
D596,097	S *	7/2009	Huang-Tsai .....	D12/203
D596,098	S *	7/2009	Huang-Tsai .....	D12/203
D632,627	S *	2/2011	Huang-Tsai .....	D12/203
D658,559	S *	5/2012	Hodges .....	D12/203
D662,867	S *	7/2012	Neal .....	D12/203
D665,713	S *	8/2012	Pochurek .....	D12/203
D671,874	S *	12/2012	Kekich, Jr. ....	D12/203
D676,368	S *	2/2013	Cover .....	D12/203
8,403,348	B1 *	3/2013	Wang .....	B60R 3/002 280/163
D731,384	S *	6/2015	Farr .....	D12/203
D737,188	S *	8/2015	Perkins .....	D12/203
D738,803	S *	9/2015	Zhu .....	D12/203
D739,322	S *	9/2015	Villareal .....	D12/203
D766,797	S *	9/2016	Li .....	D12/203
D789,857	S *	6/2017	Hare .....	D12/203
D789,858	S *	6/2017	Hare .....	D12/203
2011/0266766	A1 *	11/2011	Huang-Tsai .....	B60R 3/00 280/169
2013/0201714	A1 *	8/2013	Huang-Tsai .....	B60Q 1/323 362/545
2014/0027996	A1 *	1/2014	Chen .....	B60R 3/002 280/163

\* cited by examiner

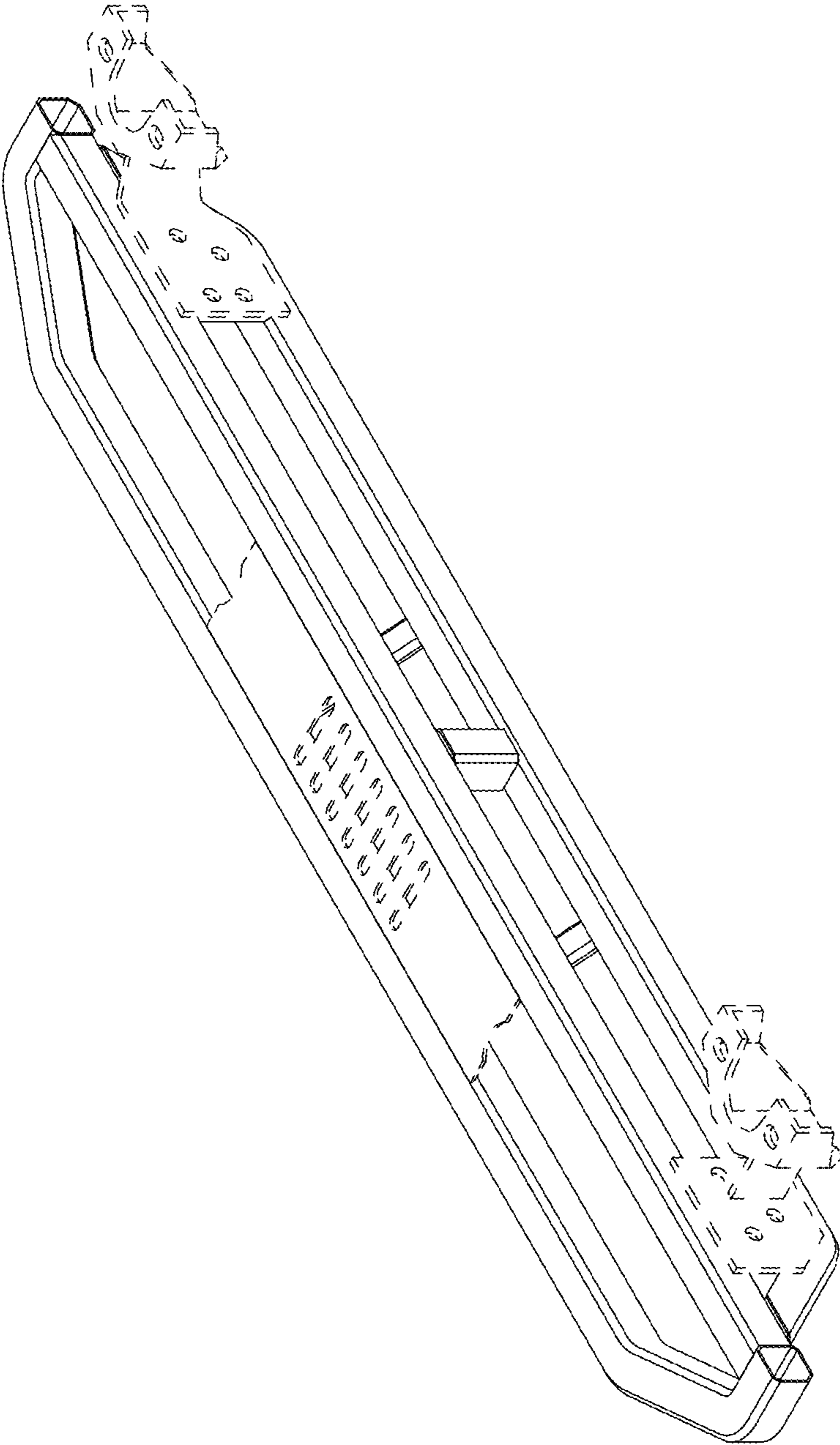


FIG. 1

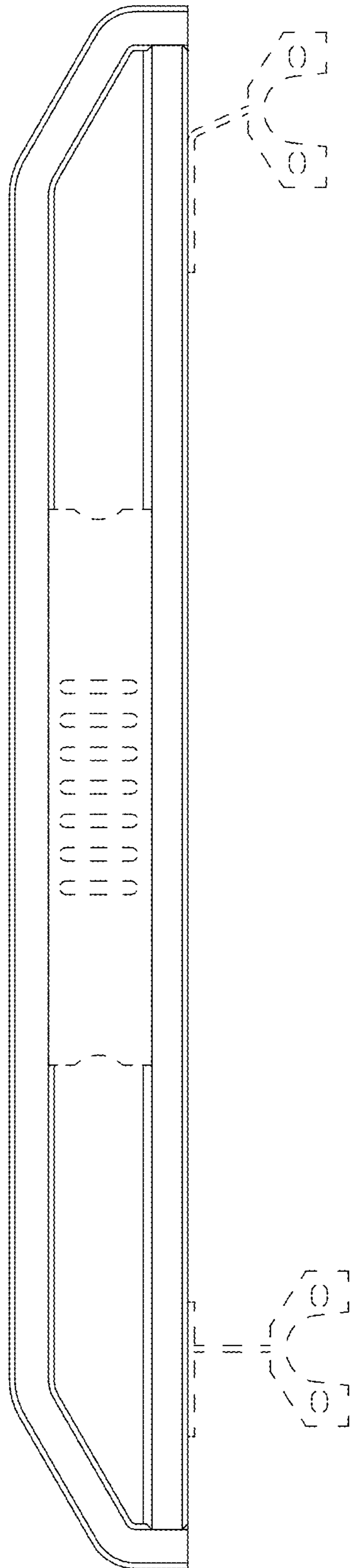


FIG. 2

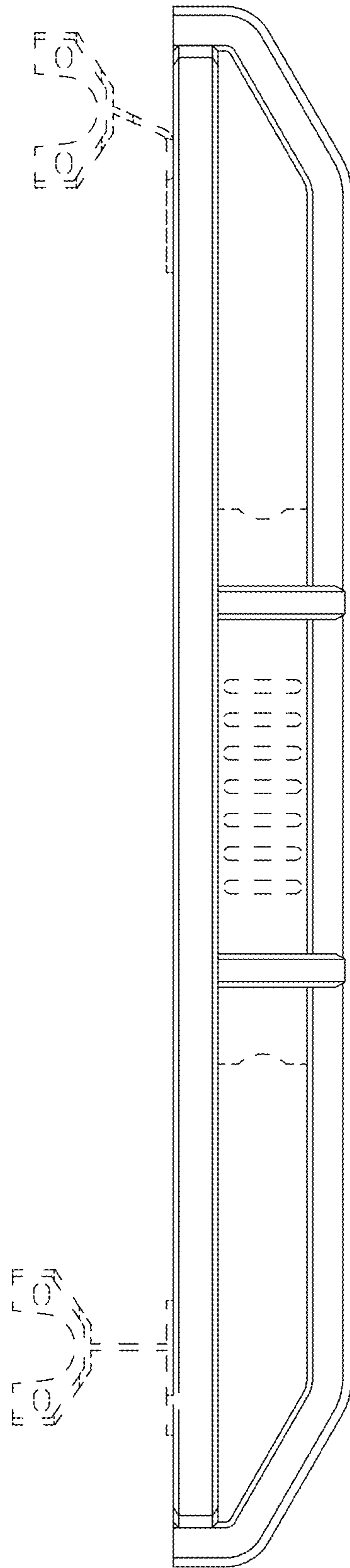


FIG. 3

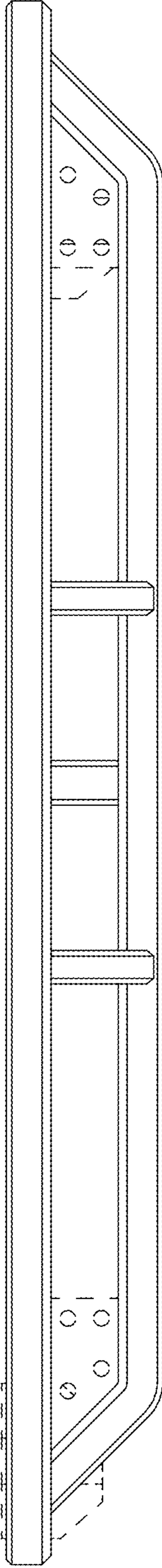


FIG. 4

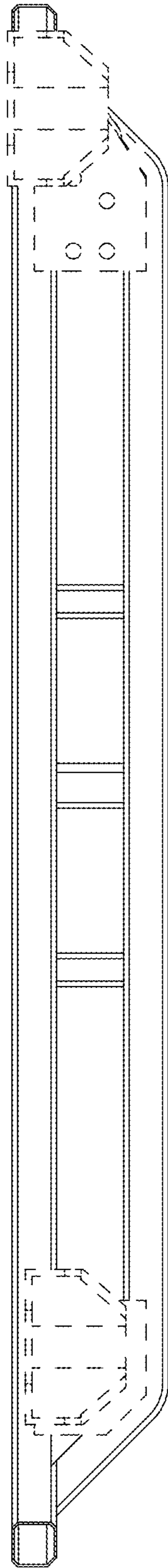


FIG. 5

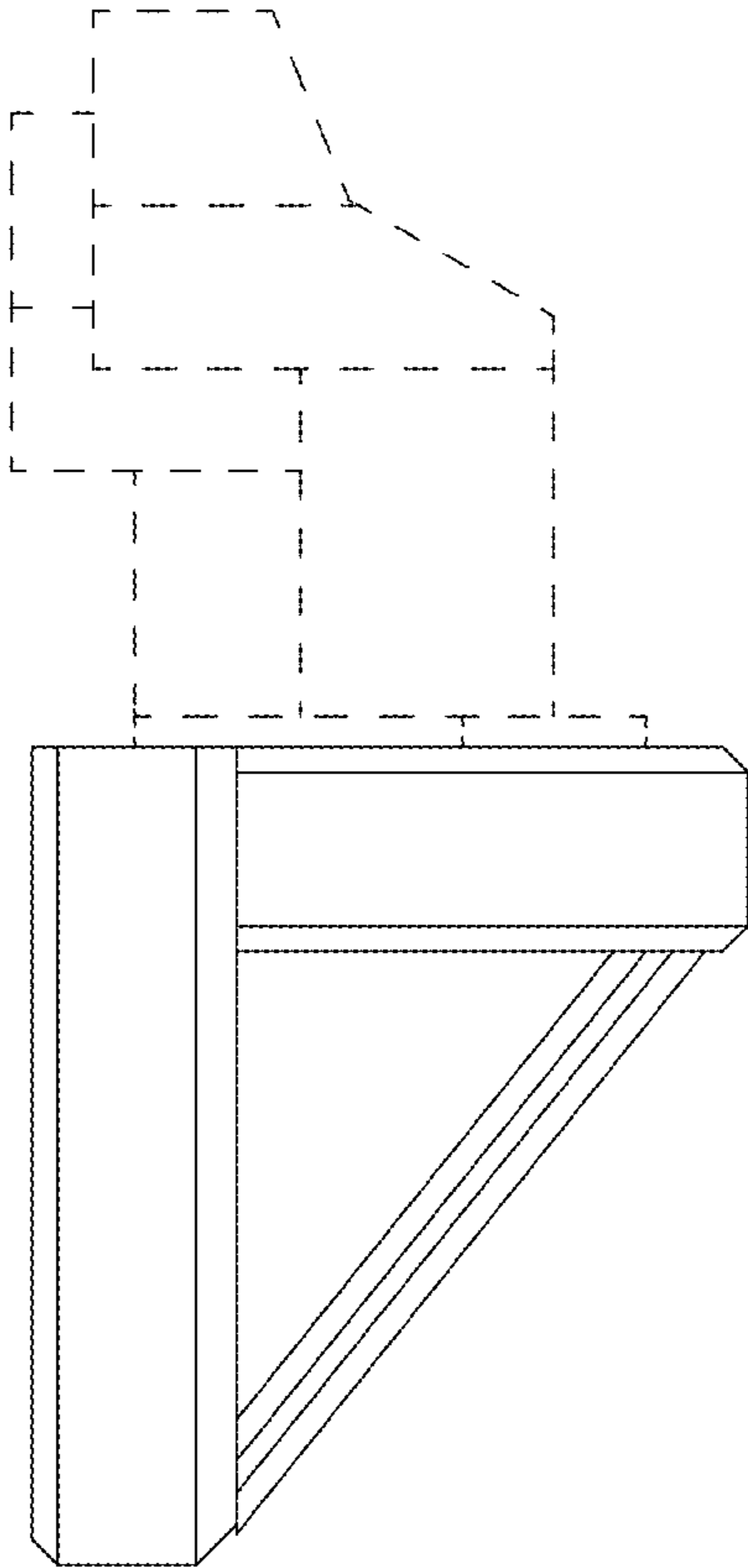


FIG. 6



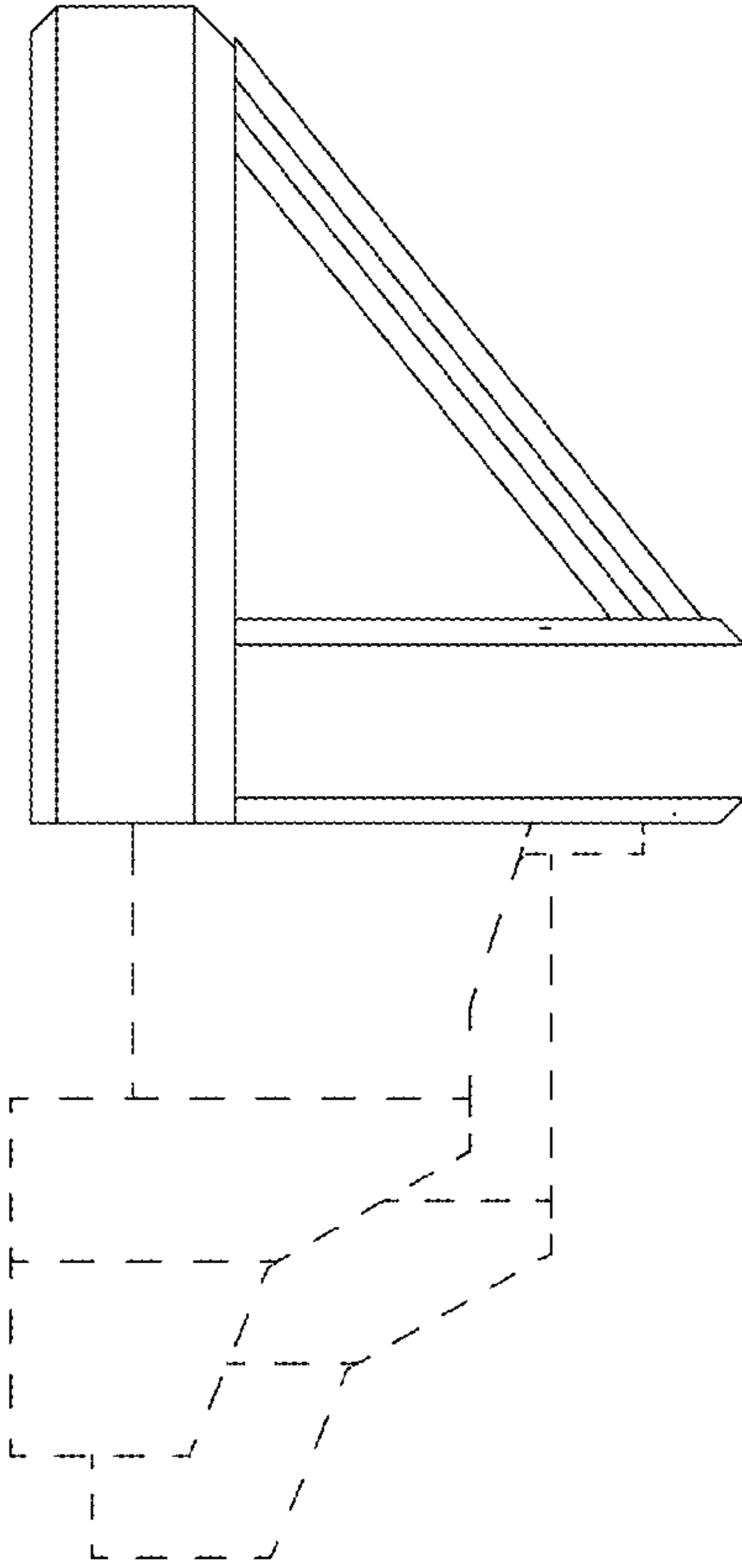


FIG. 7