



US00D811973S

(12) **United States Design Patent**
Marankie

(10) **Patent No.:** **US D811,973 S**

(45) **Date of Patent:** **** Mar. 6, 2018**

(54) **TRUCK STEP**

(71) Applicant: **Greg Marankie**, Newbury Park, CA
(US)

(72) Inventor: **Greg Marankie**, Newbury Park, CA
(US)

(**) Term: **15 Years**

(21) Appl. No.: **29/585,869**

(22) Filed: **Nov. 29, 2016**

(51) **LOC (11) Cl.** **12-16**

(52) **U.S. Cl.**
USPC **D12/203**

(58) **Field of Classification Search**
USPC D12/203, 89, 98, 314, 162, 190, 196
CPC .. B60R 3/002; B60R 3/02; B60R 3/00; B60R
3/005; B60R 3/007
See application file for complete search history.

(56) **References Cited**

U.S. PATENT DOCUMENTS

D306,278 S *	2/1990	Hafvenstein	D12/203
D448,335 S *	9/2001	Ehnes	D12/203
D549,145 S *	8/2007	Kieffer	D12/203
D549,146 S *	8/2007	Kieffer	D12/203
D573,929 S *	7/2008	Black	D12/203
D585,350 S *	1/2009	Coletti	D12/203
D713,772 S *	9/2014	Ziaylek	D12/203
D717,708 S *	11/2014	Romero	D12/203

D737,746 S *	9/2015	Wegener	D12/203
D741,769 S *	10/2015	Turner	D12/203
D742,292 S *	11/2015	Peltola	D12/203
D800,622 S *	10/2017	Ito	D12/203
2011/0181012 A1*	7/2011	Storer	B60R 3/002 280/169

* cited by examiner

Primary Examiner — George D. Kirschbaum

Assistant Examiner — Clese Moore, Jr.

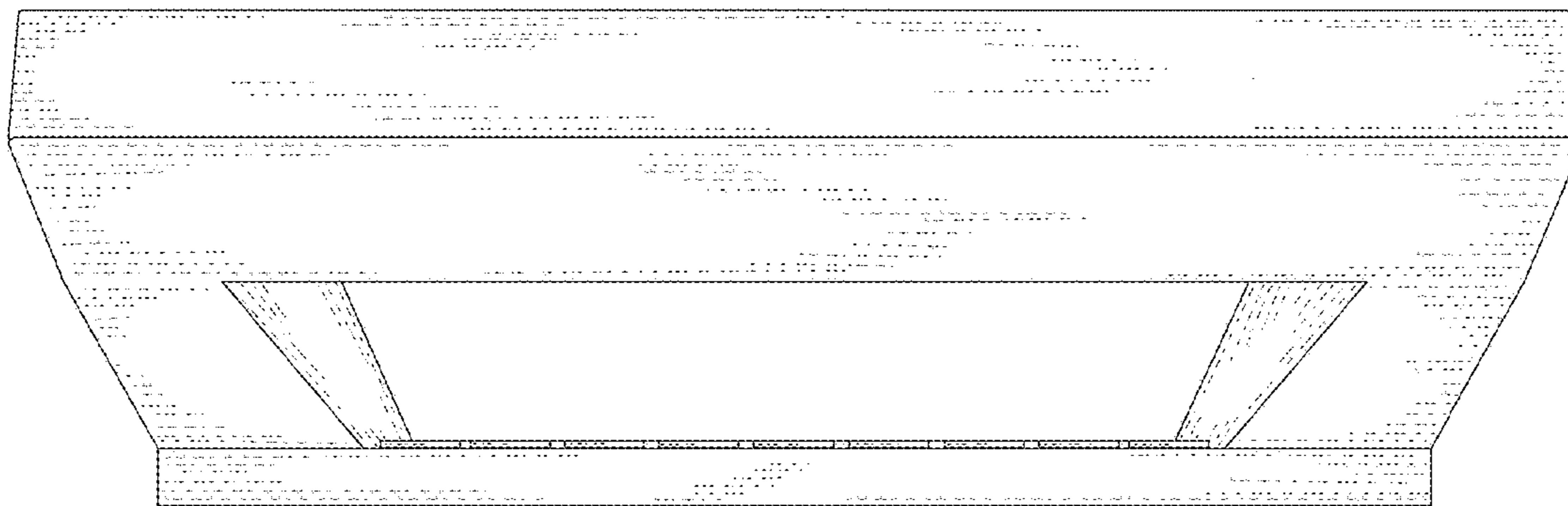
(57) **CLAIM**

The ornamental design for a truck step, as shown and described.

DESCRIPTION

FIG. 1 is a rear elevational view of a truck step;
FIG. 2 is a front elevational view thereof;
FIG. 3 is a left side elevational view thereof;
FIG. 4 is a right side elevational view thereof;
FIG. 5 is a top plan view thereof;
FIG. 6 is a bottom plan view thereof;
FIG. 7 is a top perspective view thereof;
FIG. 8 is a bottom perspective view thereof;
FIG. 9 is a perspective view showing the truck step connected to a subsequent truck step; and,
FIG. 10 is a perspective view showing the truck step connected to a pair of subsequent truck steps.
The broken line showing of the subsequent truck step and the pair of subsequent truck steps is included for the purpose of illustrating environmental structure and forms no part of the claimed design.

1 Claim, 10 Drawing Sheets



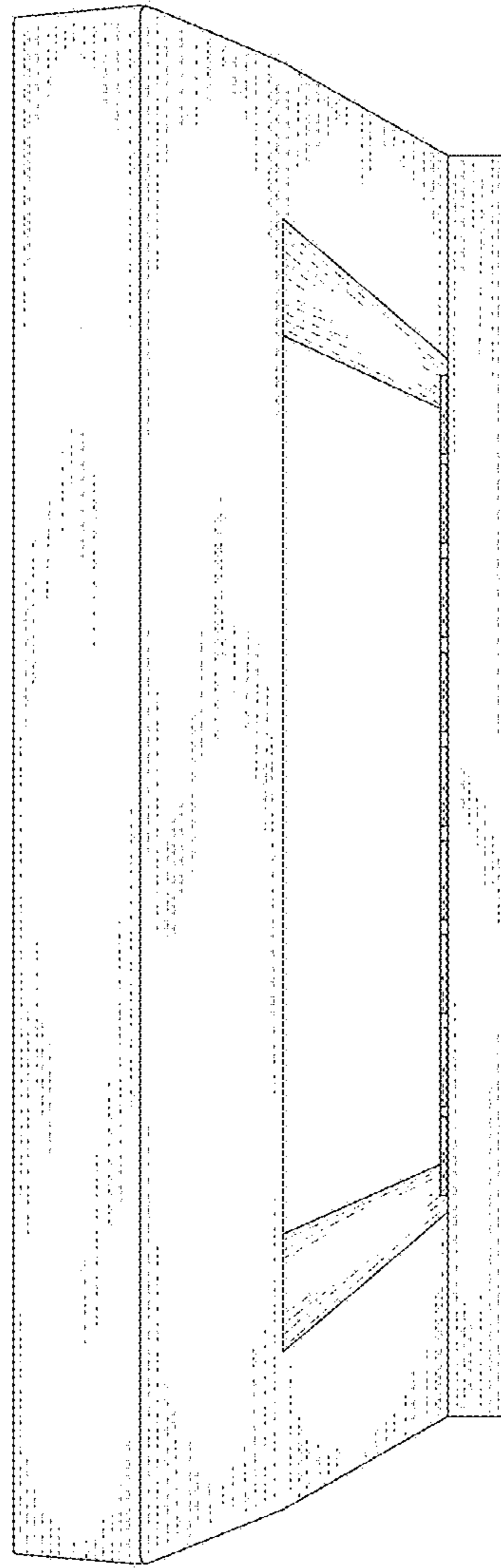


FIG. 1

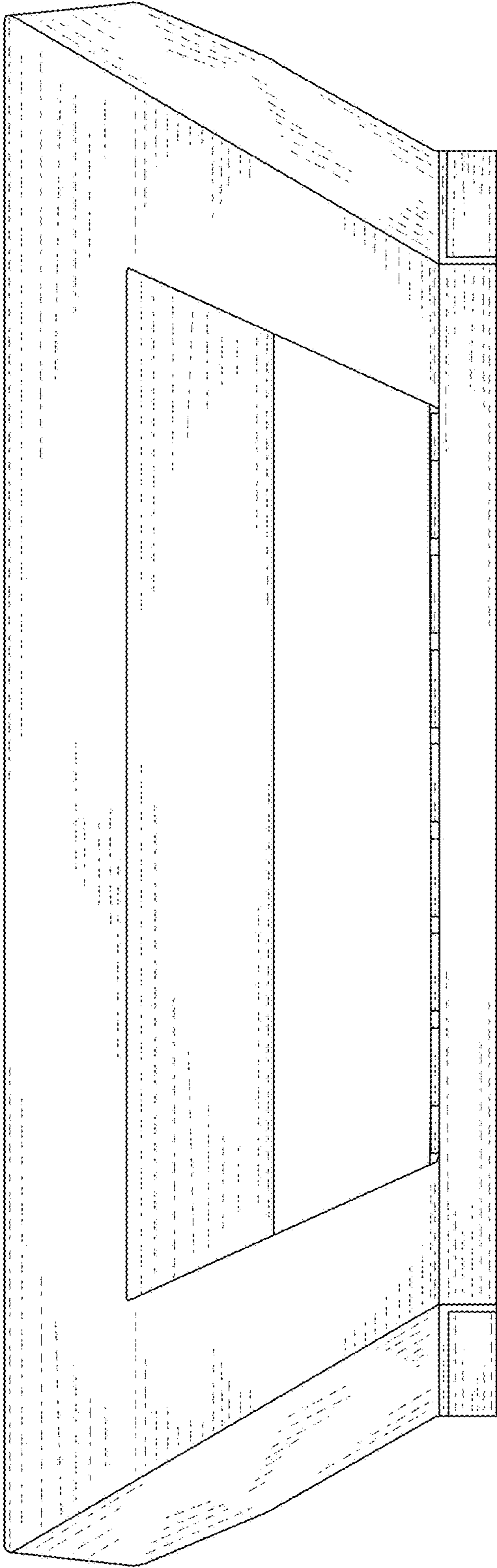


FIG. 2

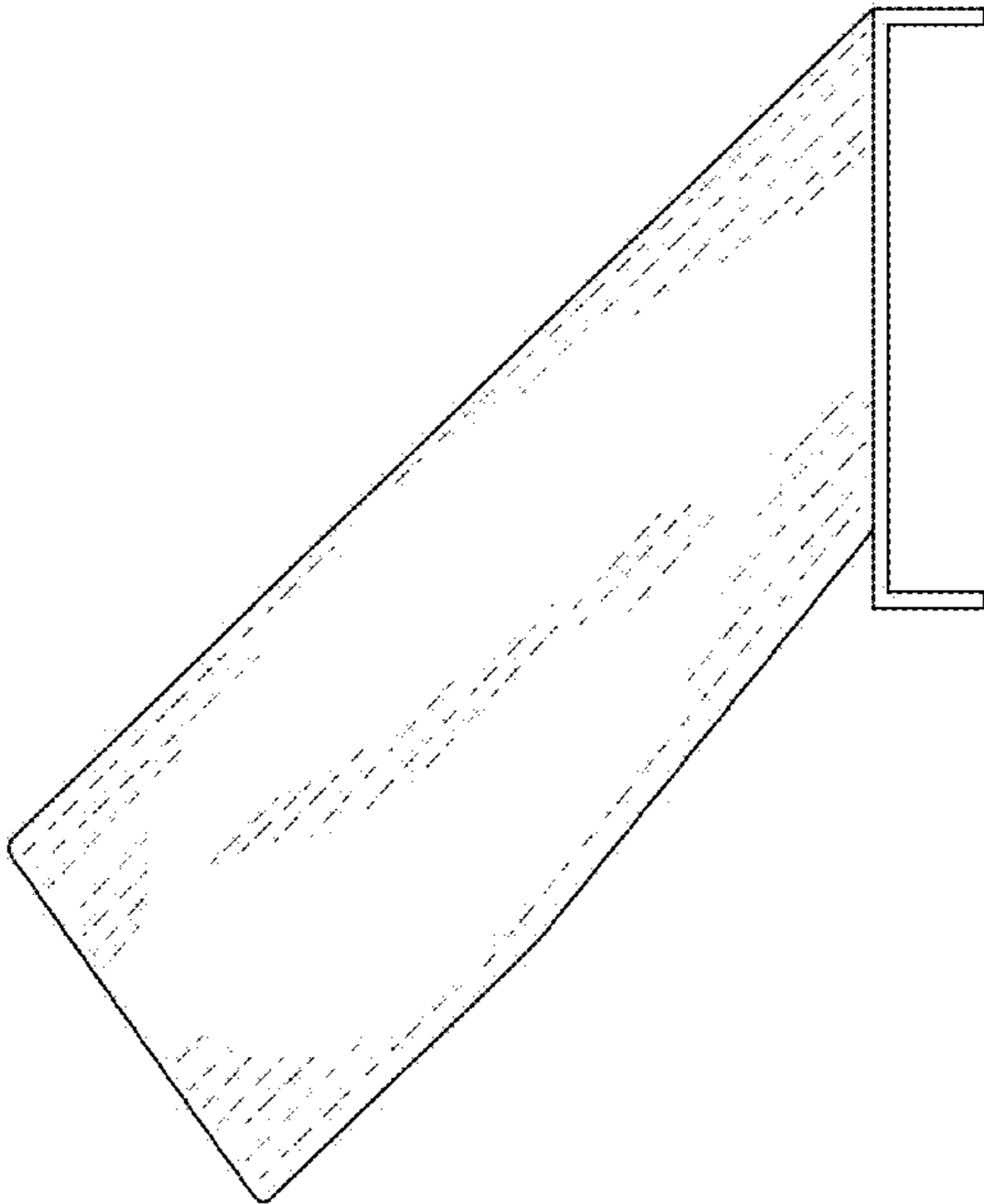


FIG. 3

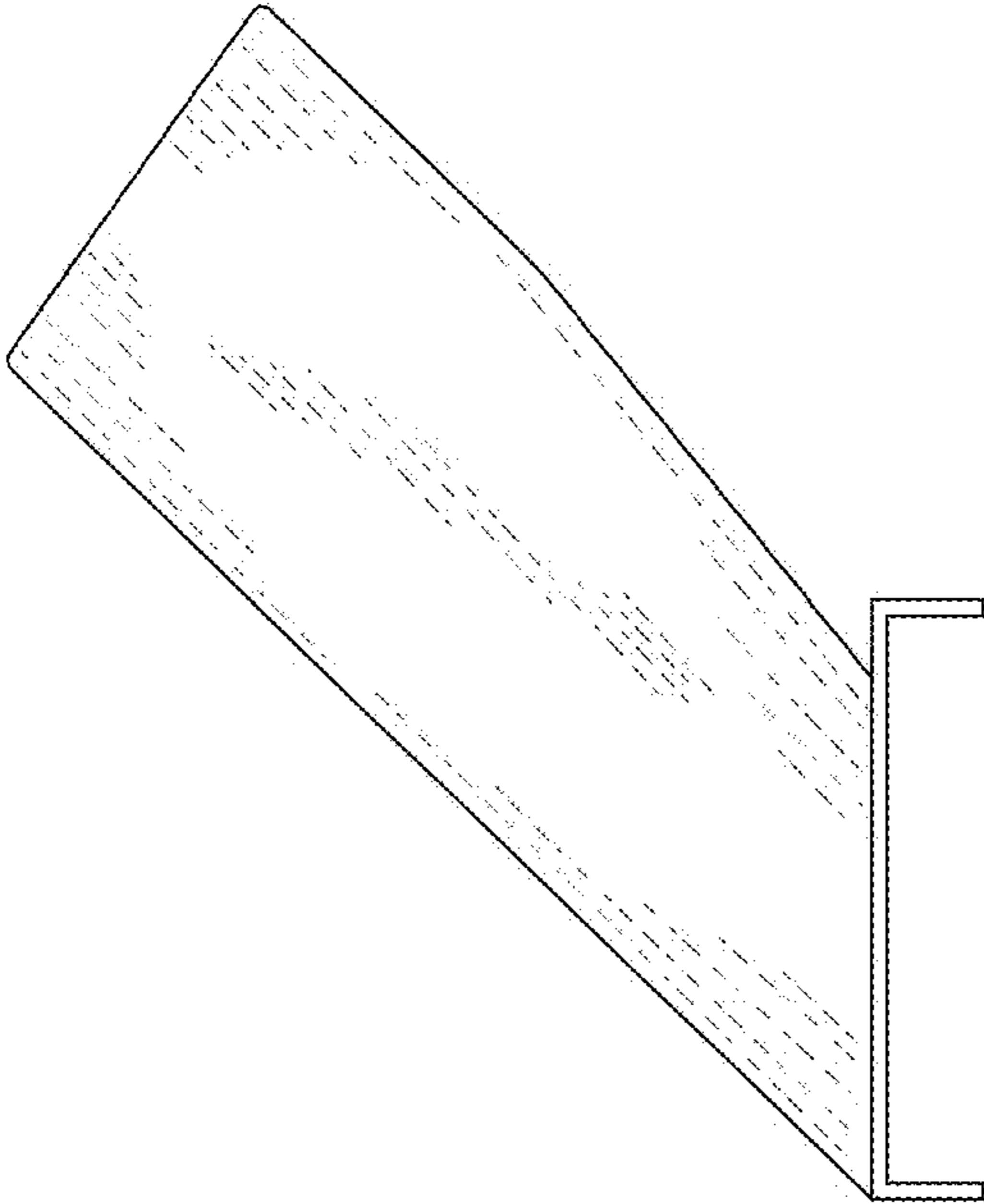


FIG. 4

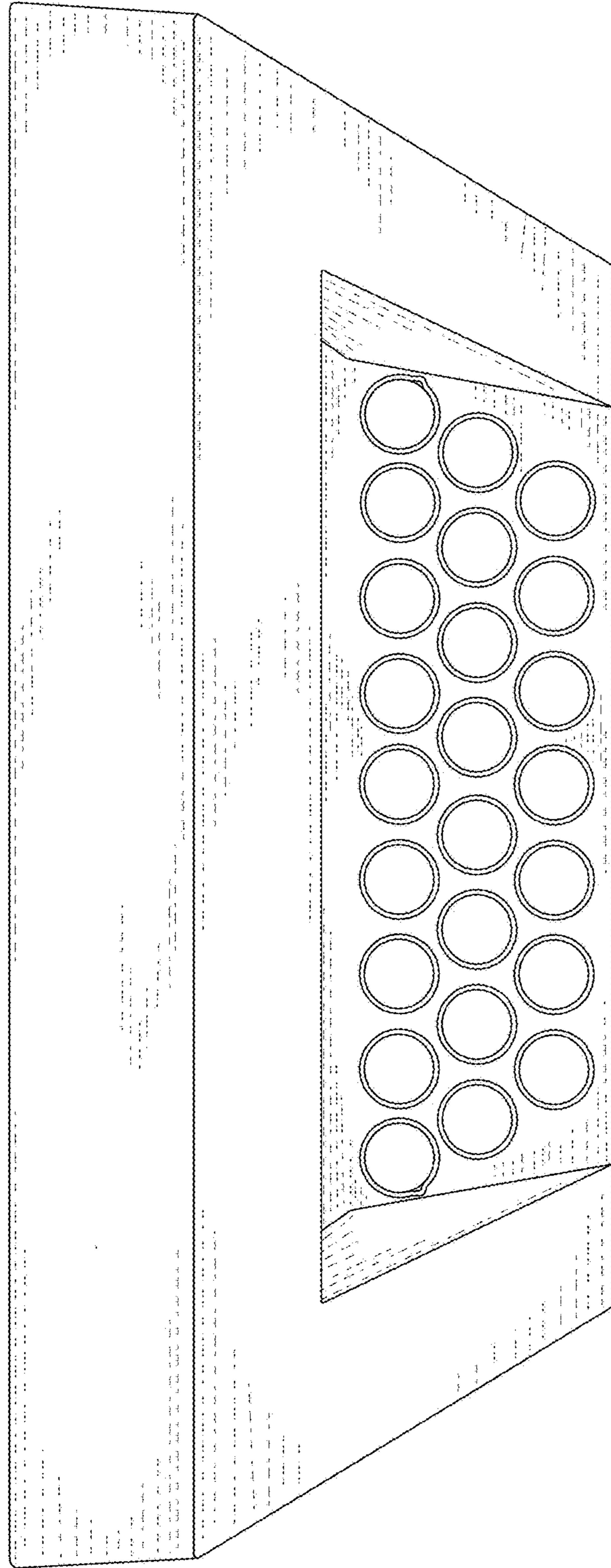


FIG. 5

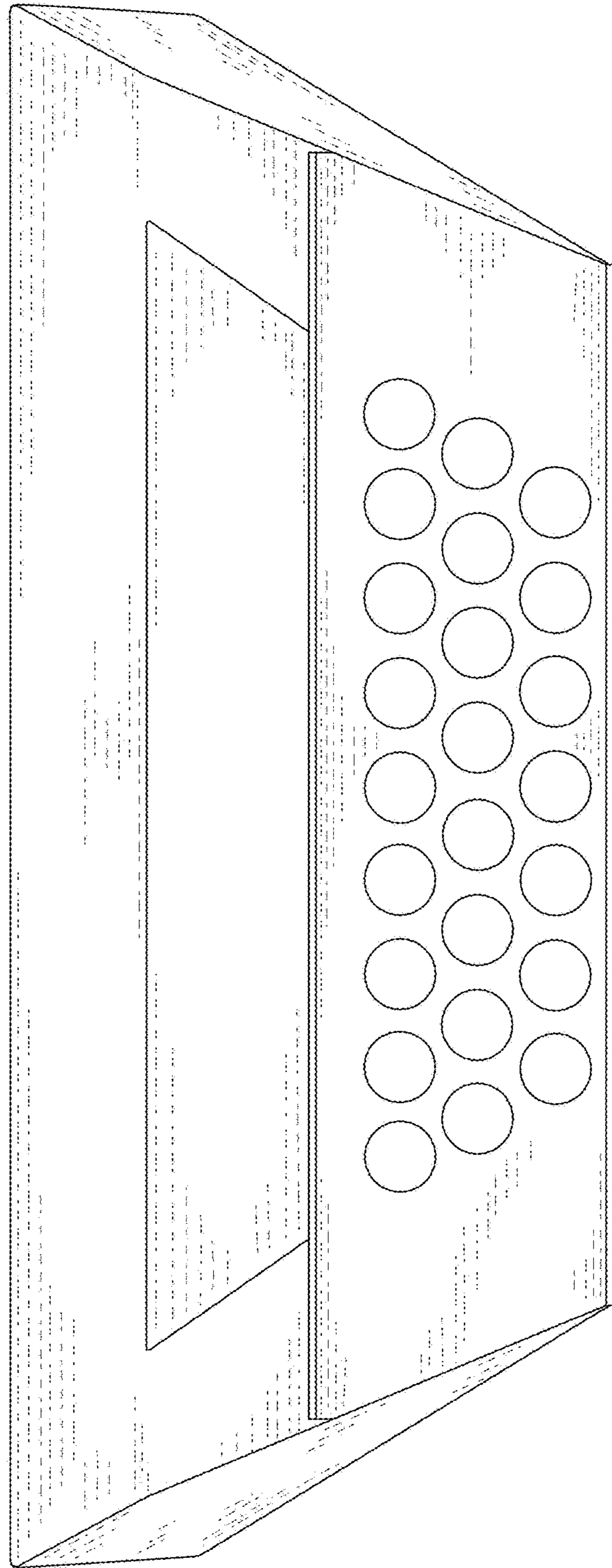


FIG. 6

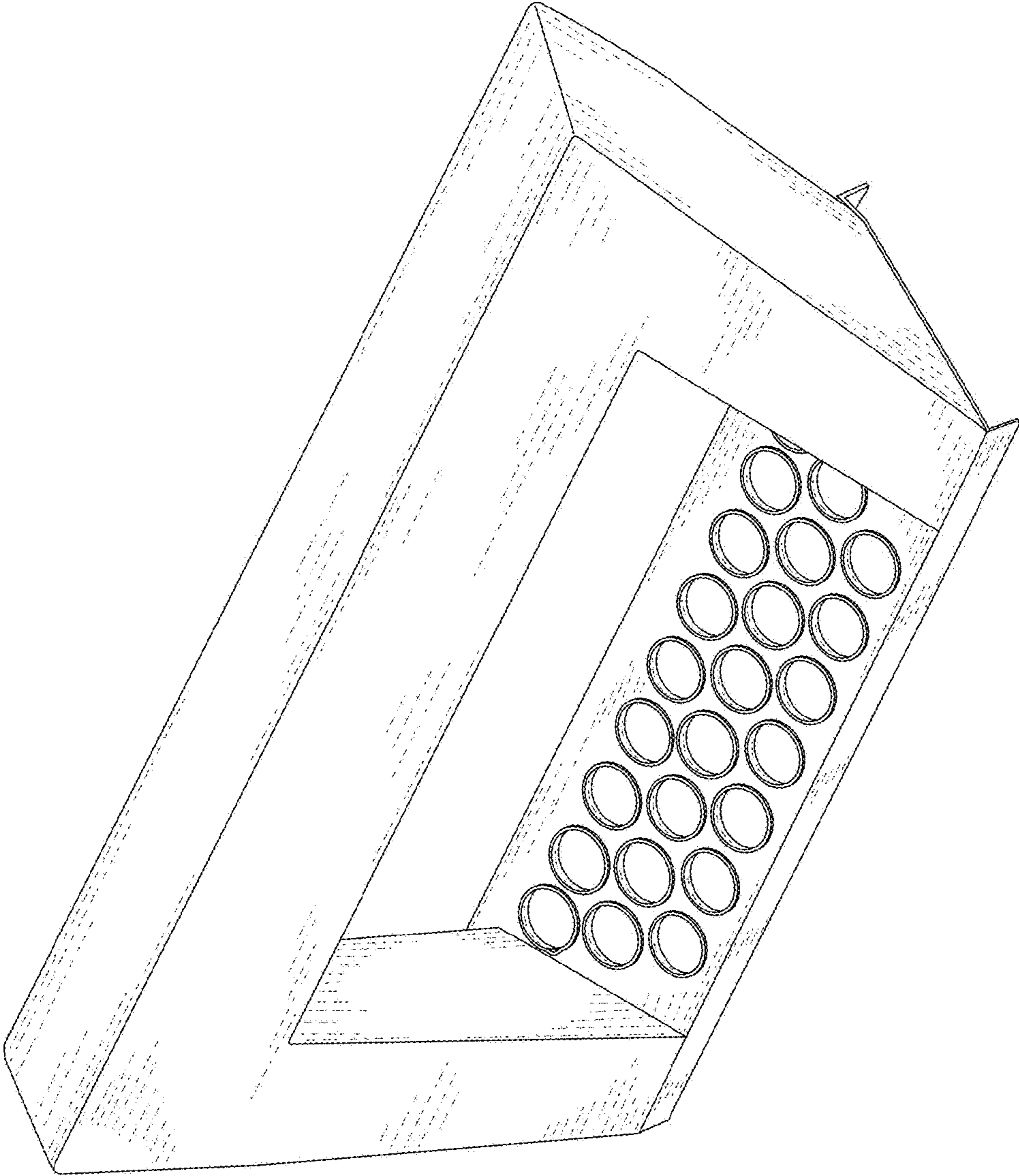


FIG. 7

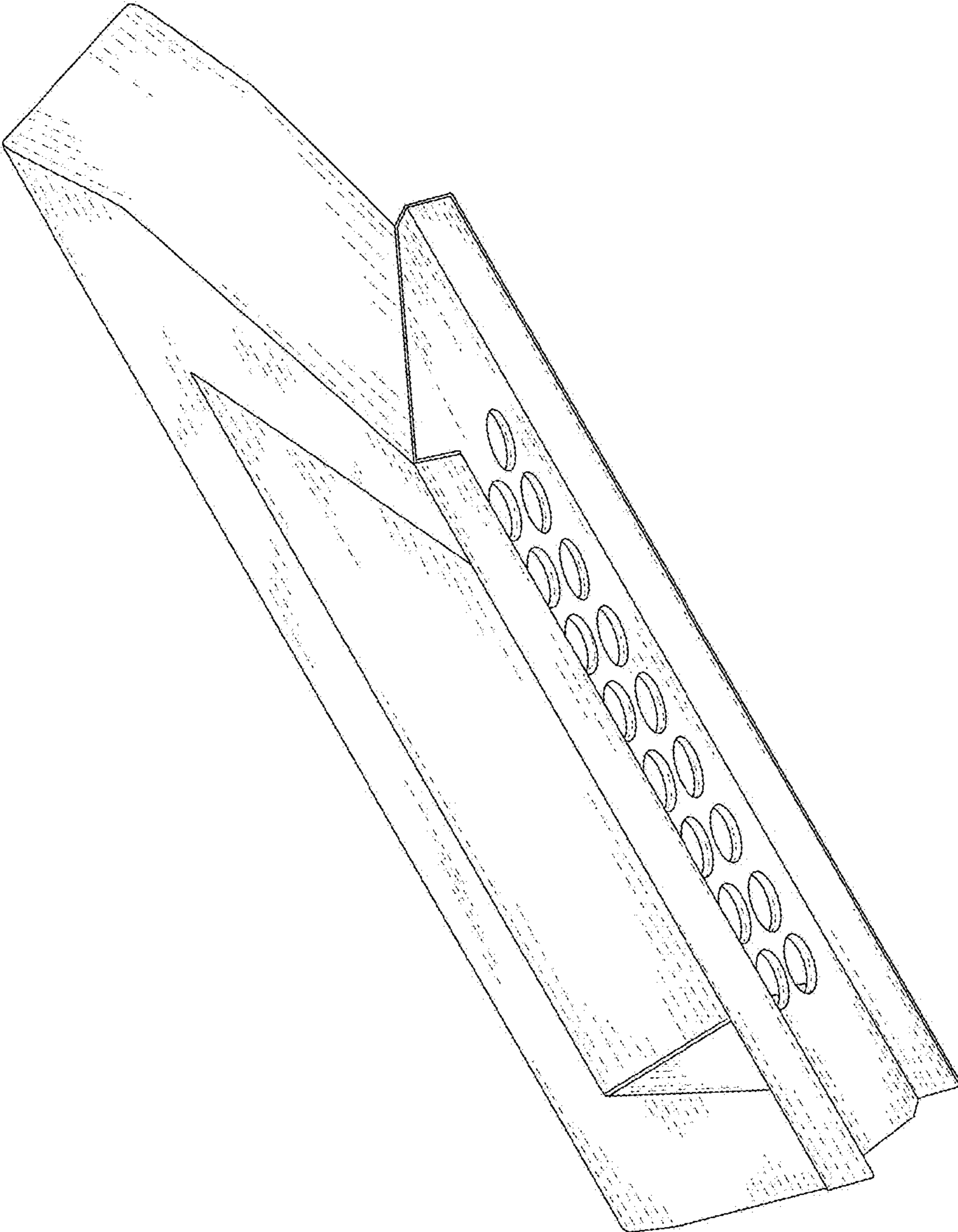


FIG. 8

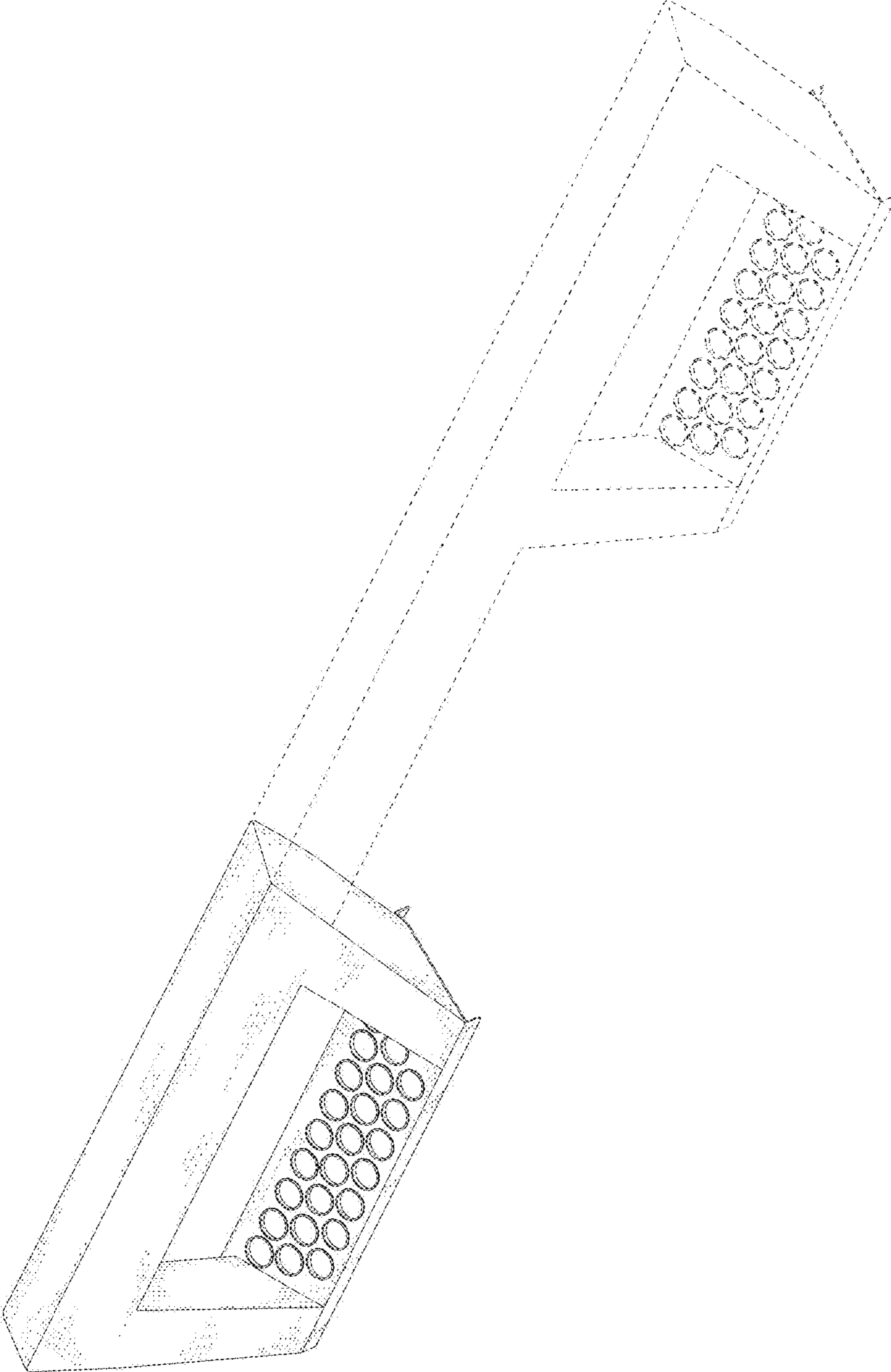


FIG. 9

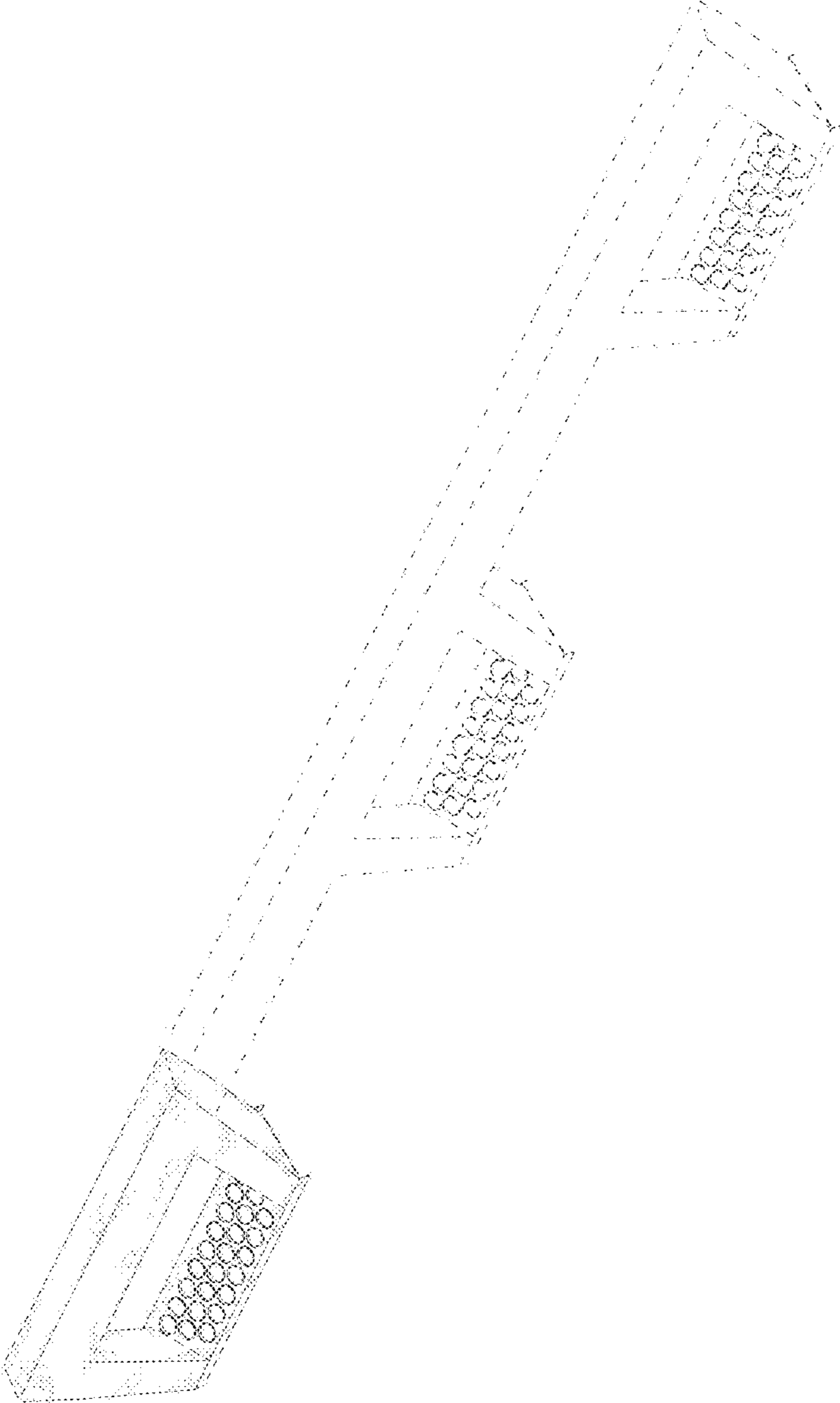


FIG. 10