



US00D811971S

(12) **United States Design Patent** (10) **Patent No.:** **US D811,971 S**
Lokers (45) **Date of Patent:** **** Mar. 6, 2018**

(54) **INTERIOR DOOR PANEL FOR VEHICLE**

OTHER PUBLICATIONS

(71) Applicant: **Volvo Lastvagnar AB**, Göteborg (SE)
(72) Inventor: **Vincent Lokers**, Greensboro, NC (US)
(73) Assignee: **Volvo Lastvagnar AB**, Göteborg (SE)
(**) Term: **15 Years**
(21) Appl. No.: **29/593,304**

Images of Mack CXU Pinnacle Truck, released 2006, 2 pages, Jan. 1, 2006.

* cited by examiner

Primary Examiner — Katrina A Betton

(74) *Attorney, Agent, or Firm* — Tucker Ellis LLP

(22) Filed: **Feb. 8, 2017**
(51) **LOC (11) Cl.** **12-08**
(52) **U.S. Cl.**
USPC **D12/195**
(58) **Field of Classification Search**
USPC D12/195, 193, 414, 190, 196; D15/17,
D15/28; D10/46, 98, 102–103;
D8/302–303
CPC B60J 5/04; B60R 13/0243; B60R 13/02;
B60N 2/4693
See application file for complete search history.

(57) **CLAIM**

The ornamental design for a interior door panel for vehicle, as shown and described.

DESCRIPTION

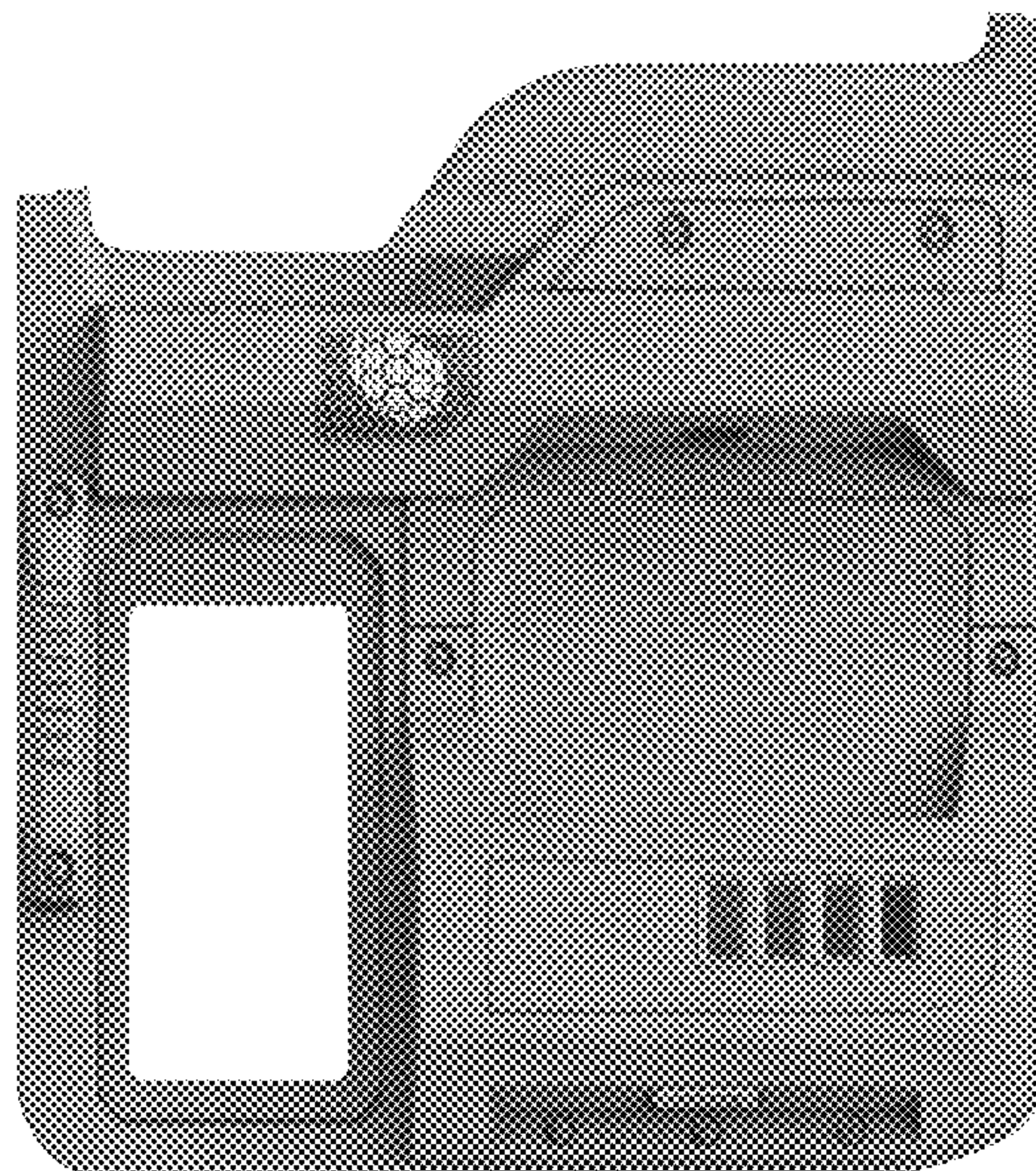
FIG. 1 is a perspective view of an interior door panel for vehicle showing my new design.
FIG. 2 is a front view thereof.
FIG. 3 is a left side view thereof.
FIG. 4 is a right side view thereof.
FIG. 5 is a top view thereof.
FIG. 6 is a bottom view thereof.
FIG. 7 is perspective view of the interior door panel for vehicle having a contrast pattern applied to components of the interior door panel for vehicle.
FIG. 8 is a front view thereof.
FIG. 9 is a left side view thereof.
FIG. 10 is a right side view thereof.
FIG. 11 is a top view thereof; and,
FIG. 12 is a bottom view thereof.
Components of the interior door panel for vehicle that appear very dark are intended to be black or dark grey.

(56) **References Cited**

U.S. PATENT DOCUMENTS

D743,312 S	*	11/2015	Iwauchi	D12/195
D743,863 S	*	11/2015	Finney	D12/195
D756,873 S	*	5/2016	Donckerwolke	D12/195
D761,176 S	*	7/2016	Sandys	D12/195
D763,757 S	*	8/2016	Buffery	D12/195
D766,791 S	*	9/2016	Buffery	D12/195
D766,792 S	*	9/2016	Shimizu	D12/195
D768,042 S	*	10/2016	Lee	D12/195
D783,481 S	*	4/2017	Yamamoto	D12/195
D784,882 S	*	4/2017	Lee	D12/195
D784,883 S	*	4/2017	Lee	D12/195
D801,899 S	*	11/2017	Watkin	D12/195

1 Claim, 10 Drawing Sheets



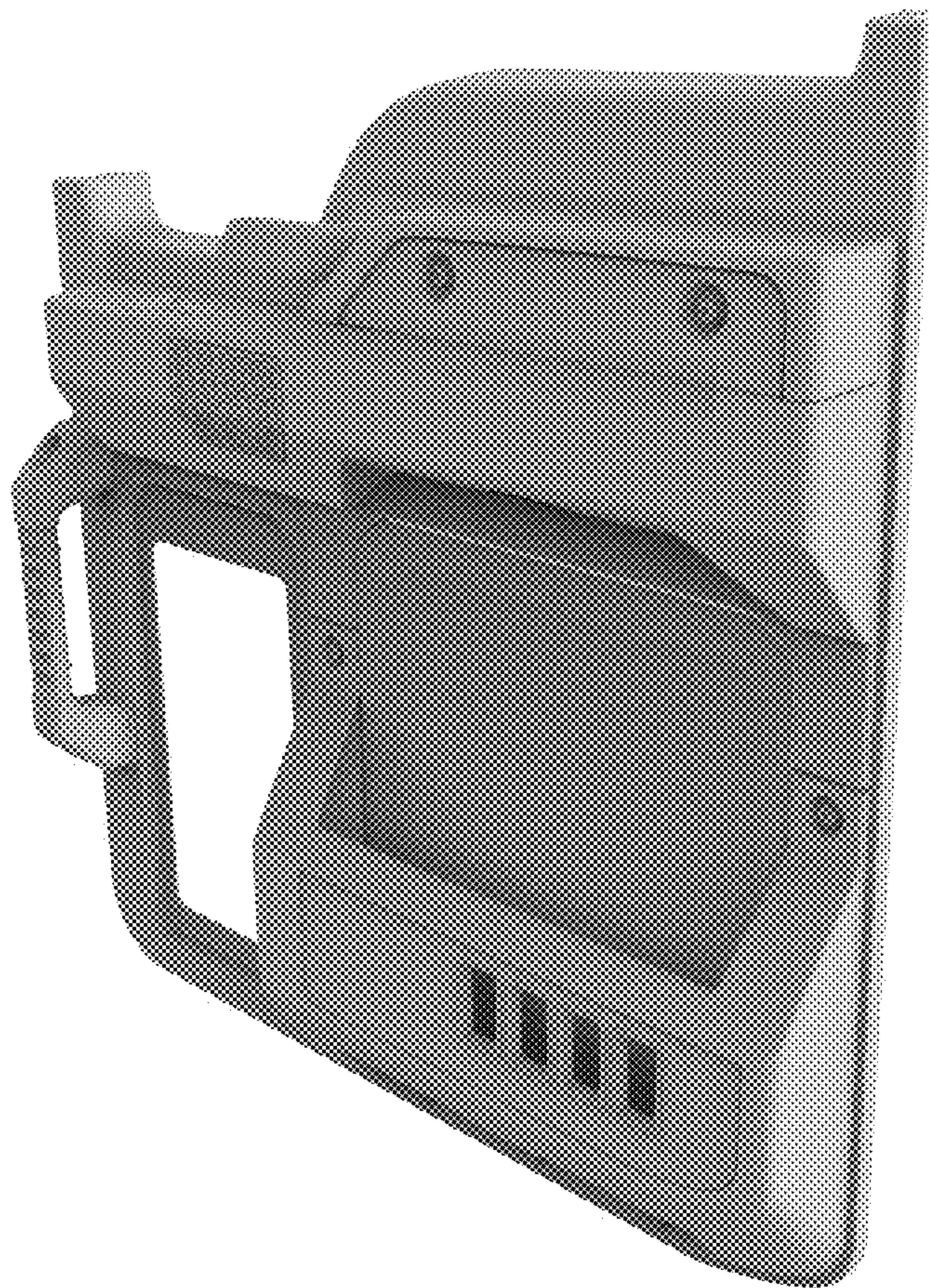


FIG. 1

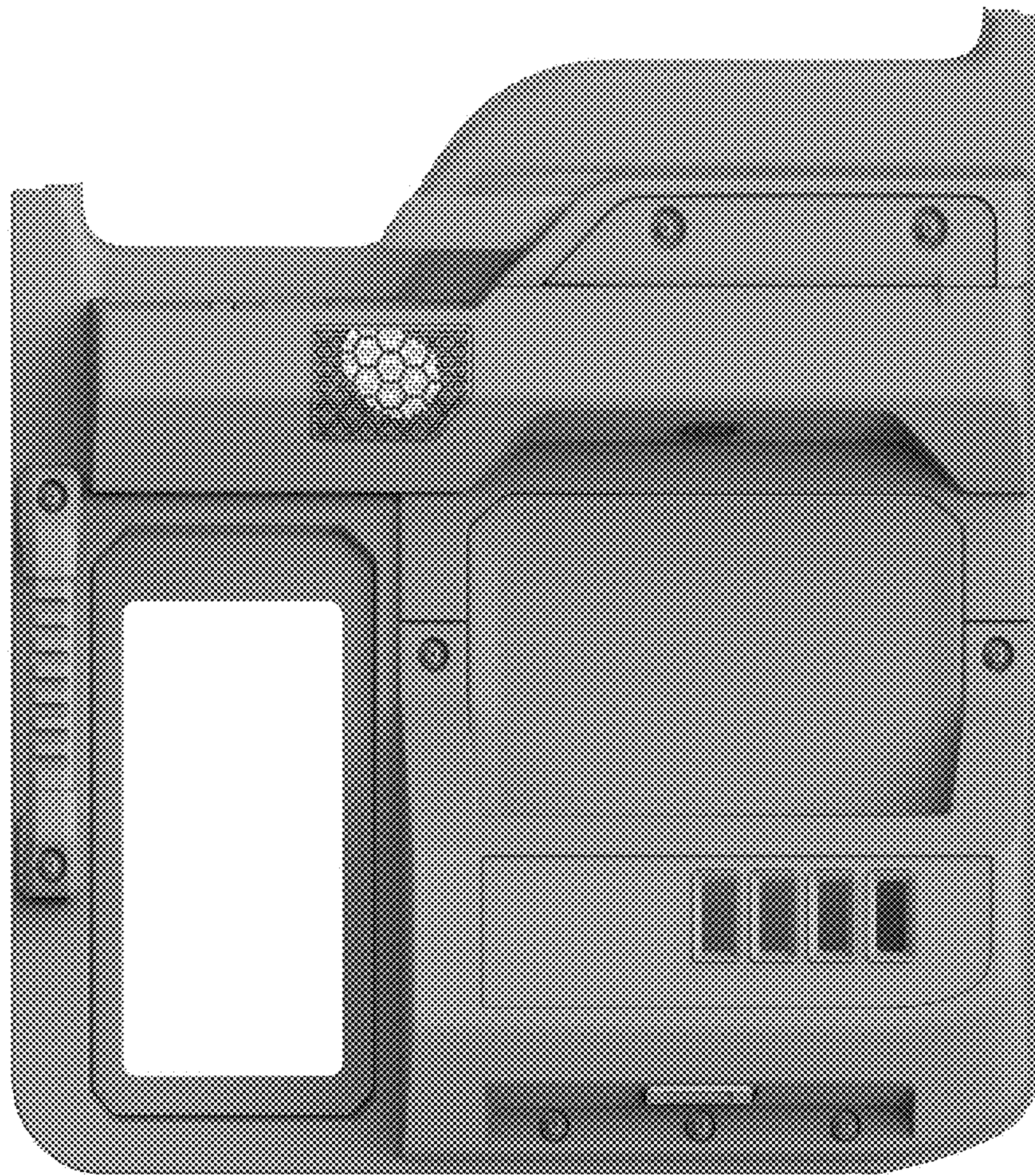


FIG. 2

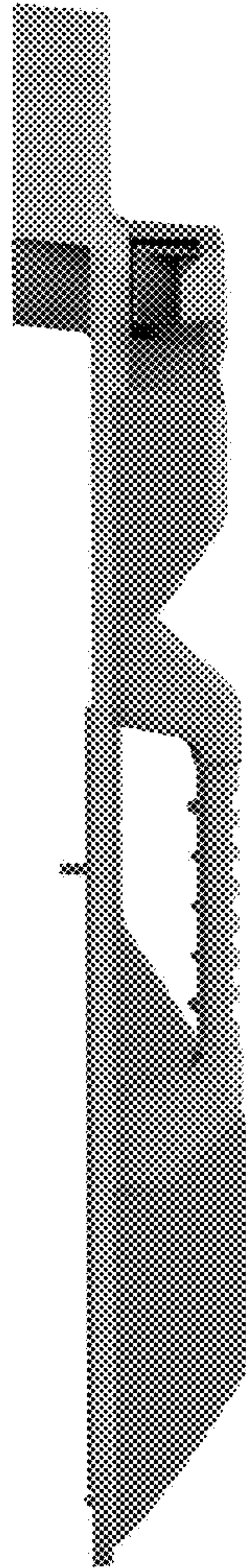


FIG. 3

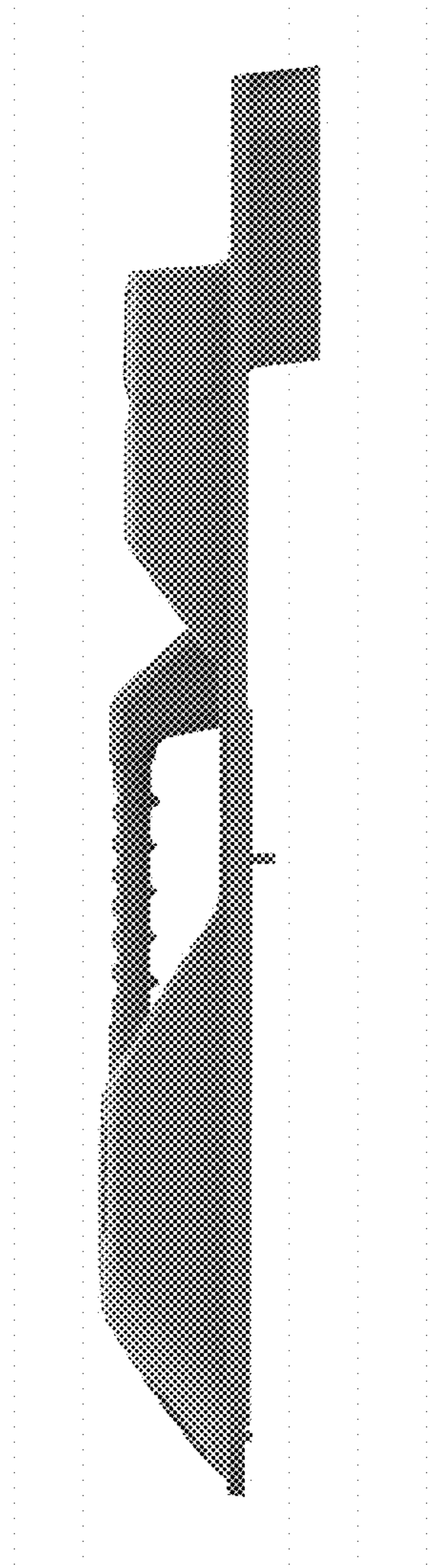


FIG. 4

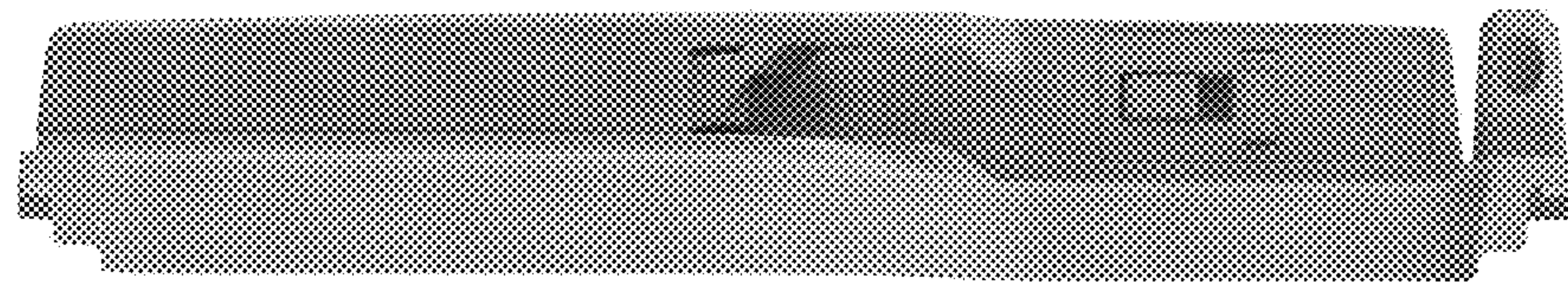


FIG. 5

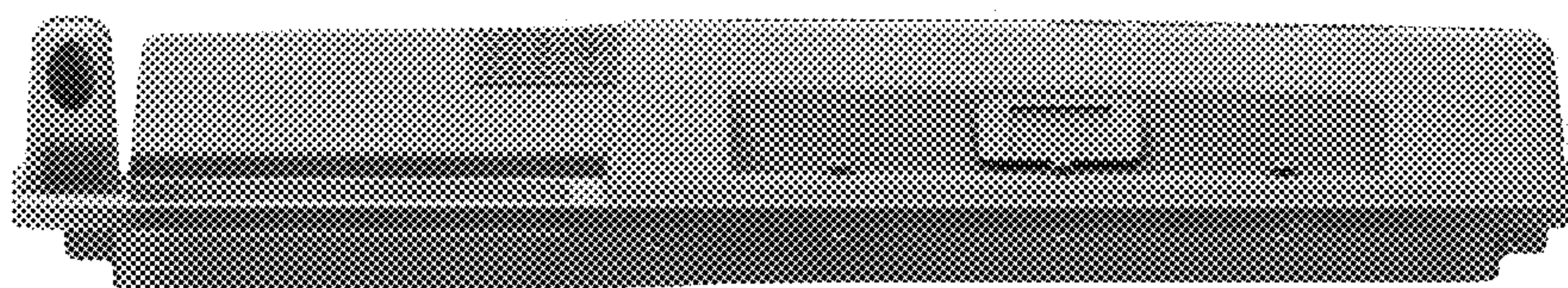


FIG. 6

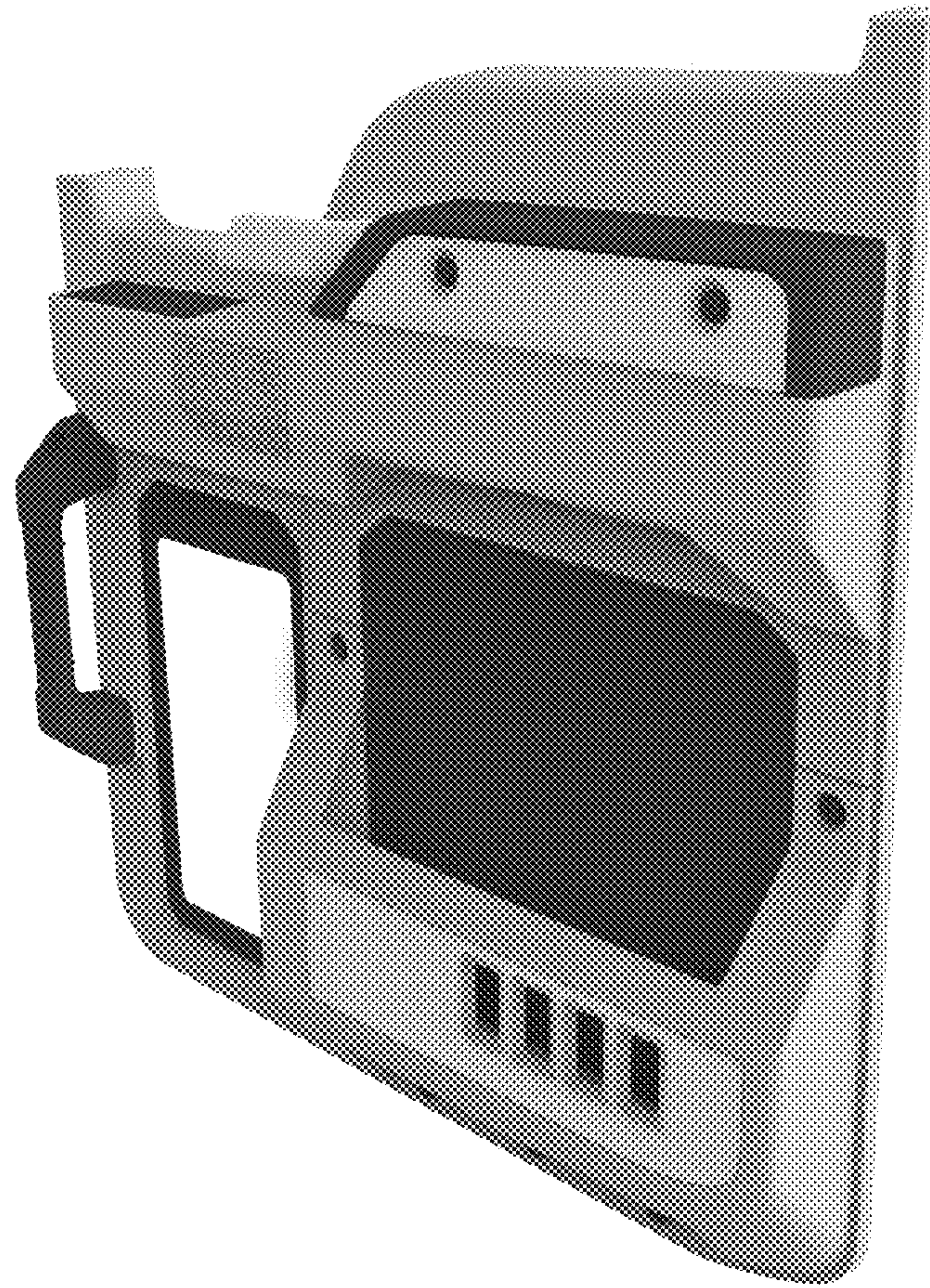


FIG. 7

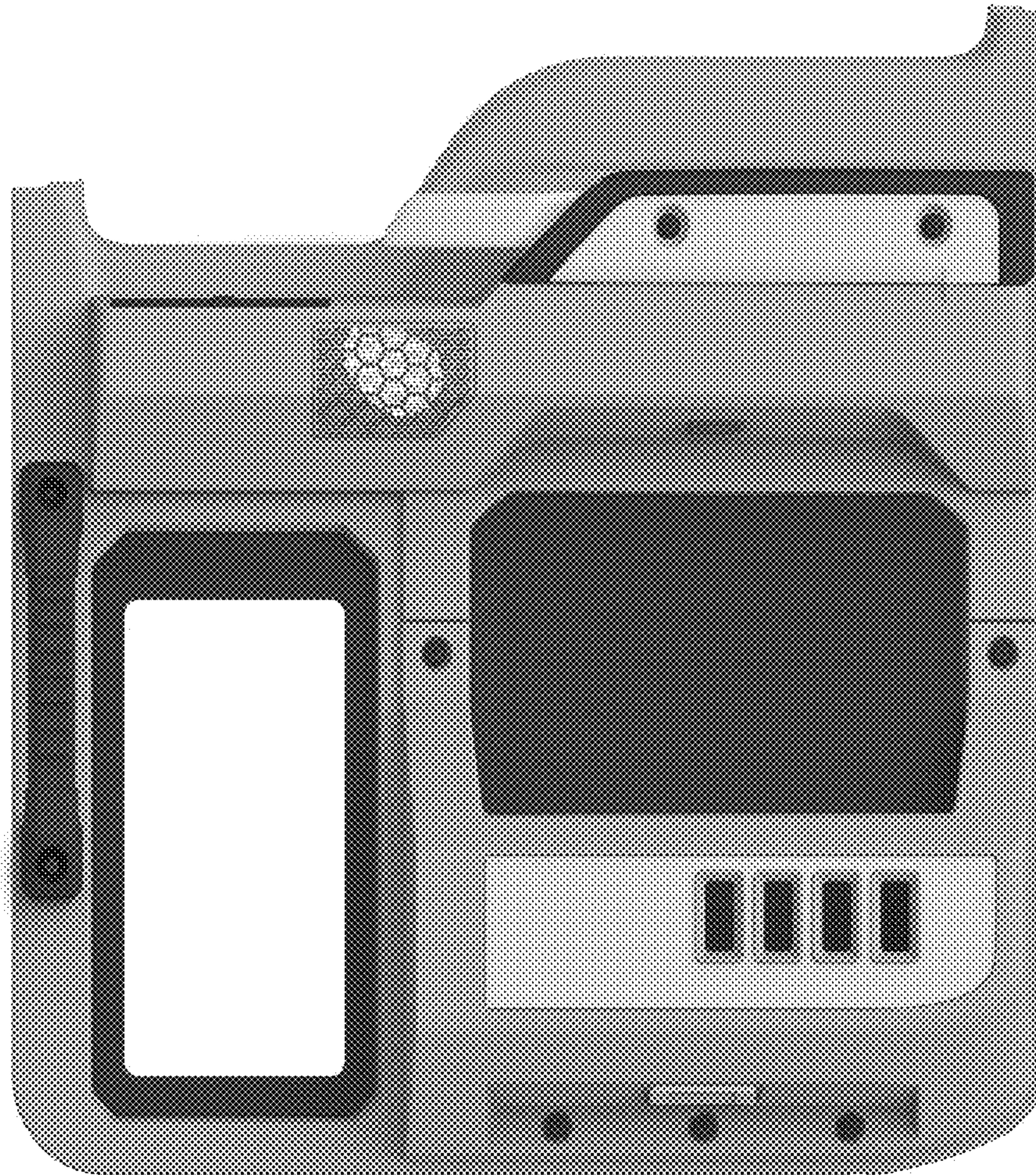


FIG. 8

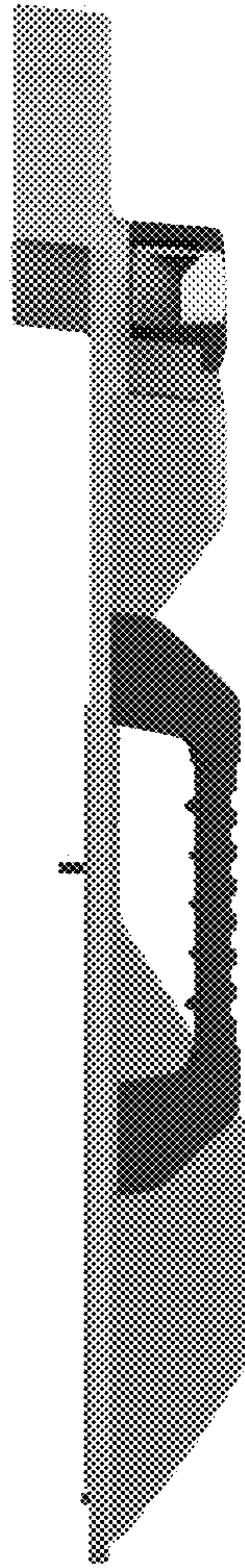


FIG. 9

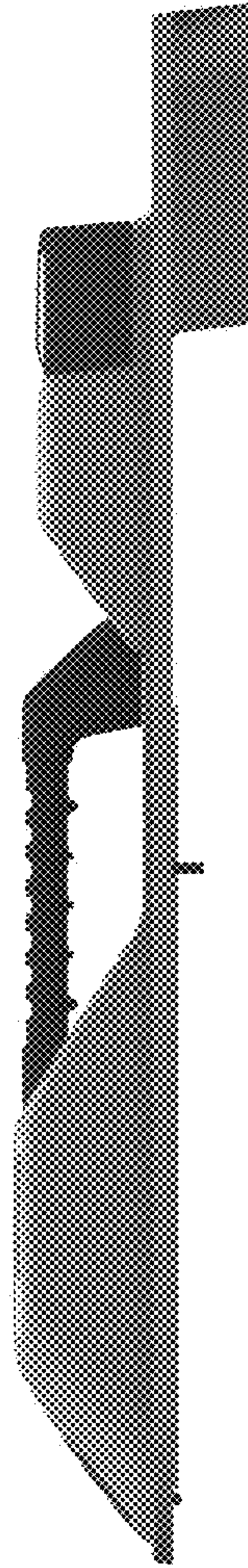


FIG. 10

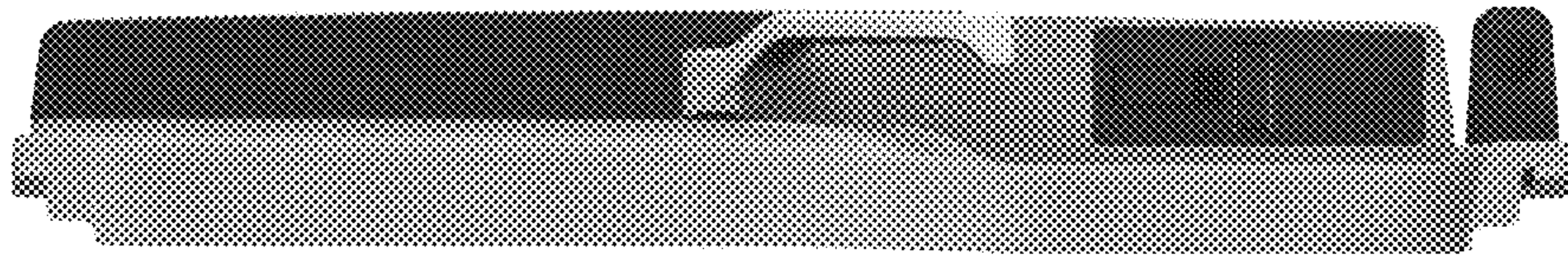


FIG. 11

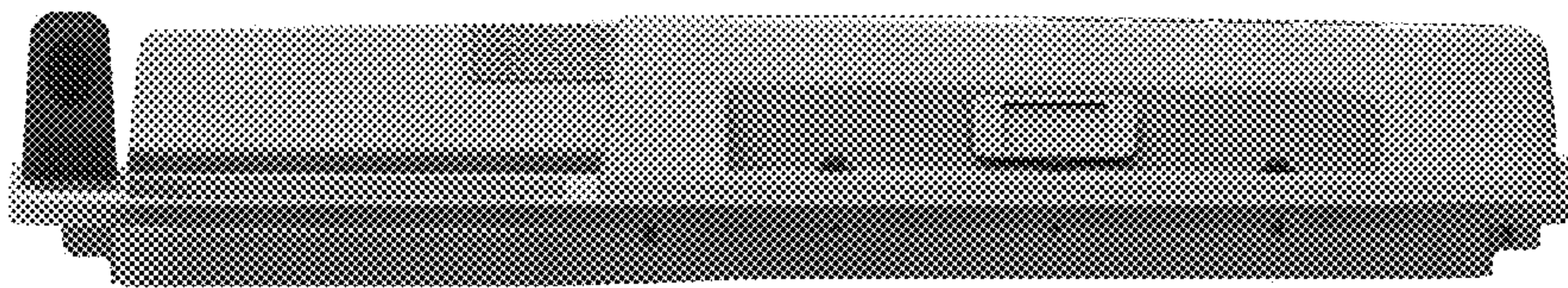


FIG. 12